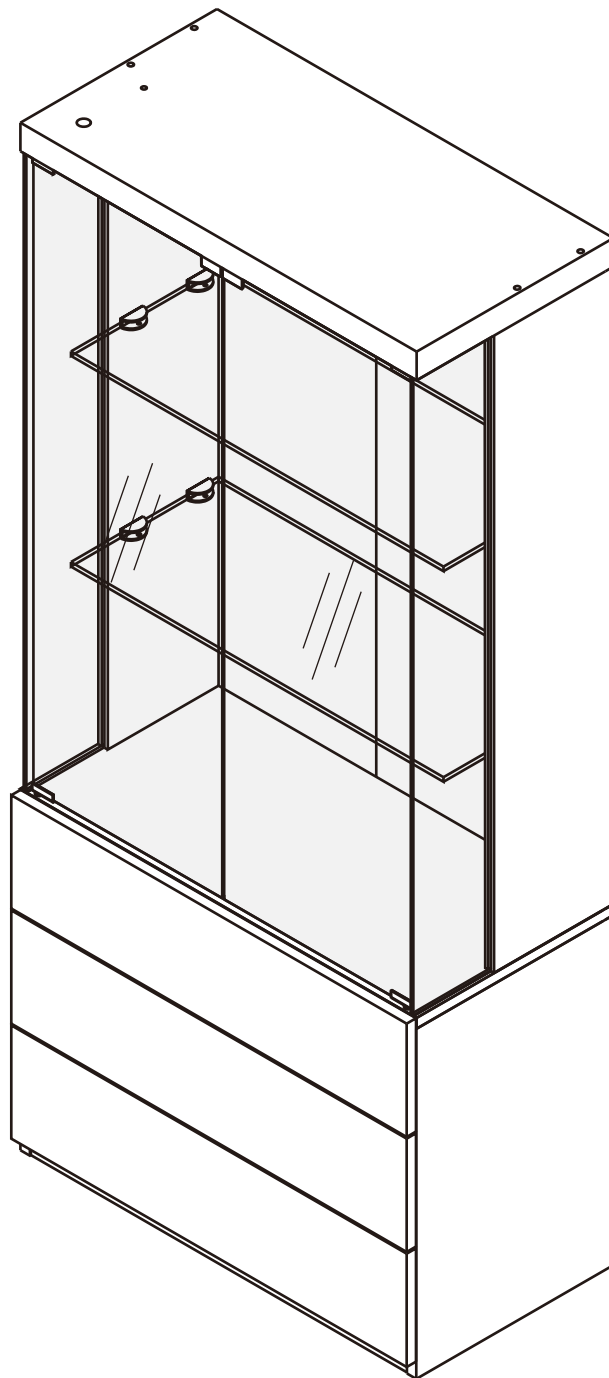
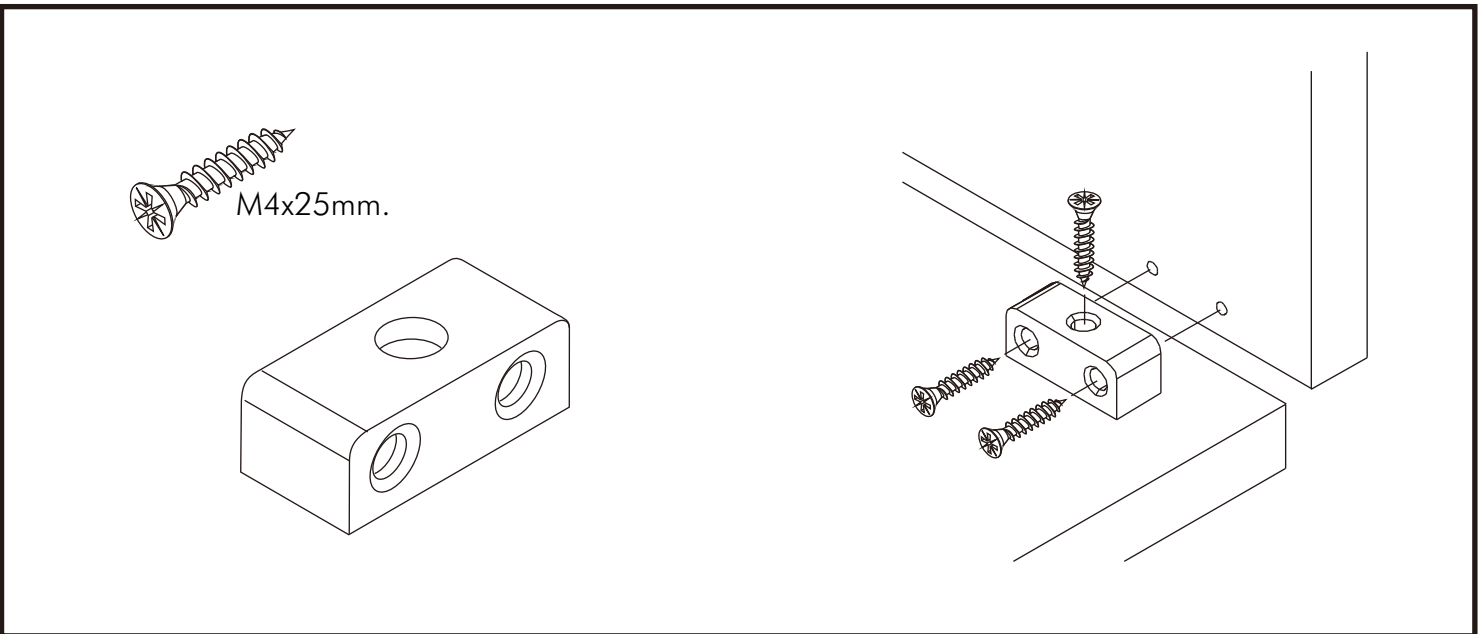
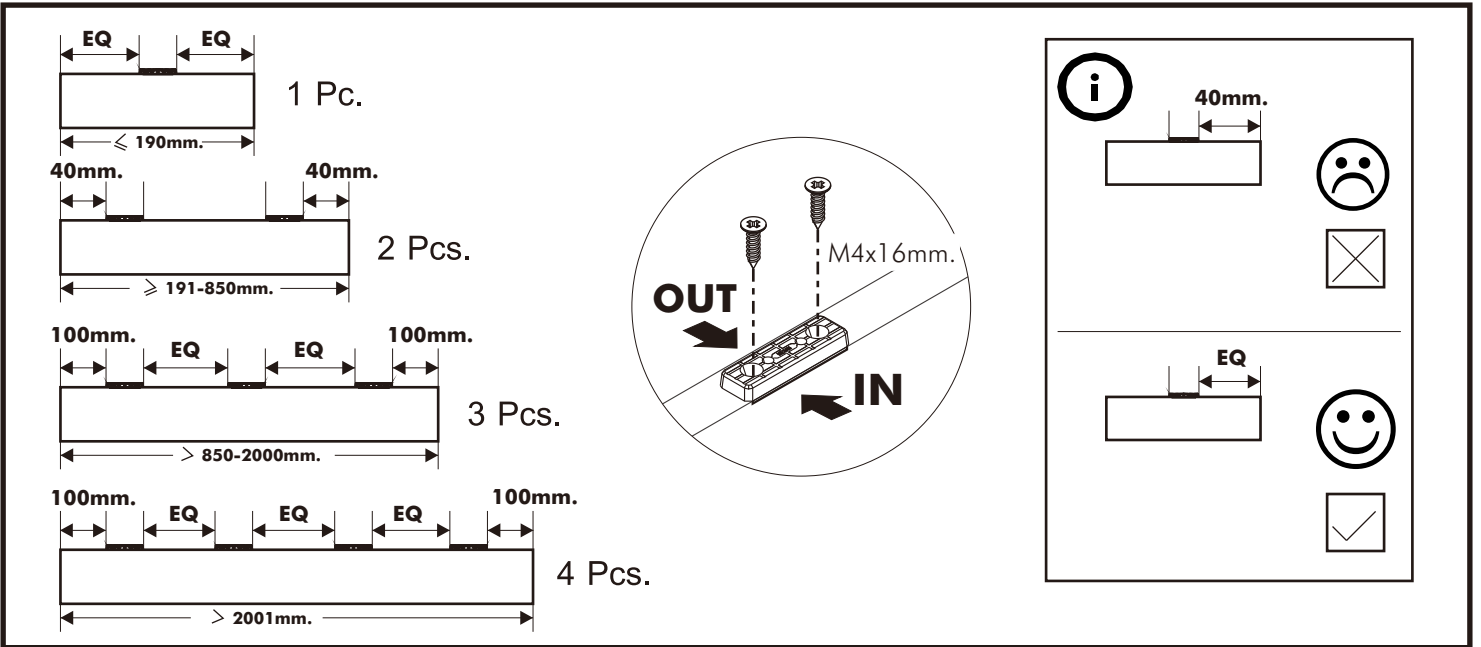
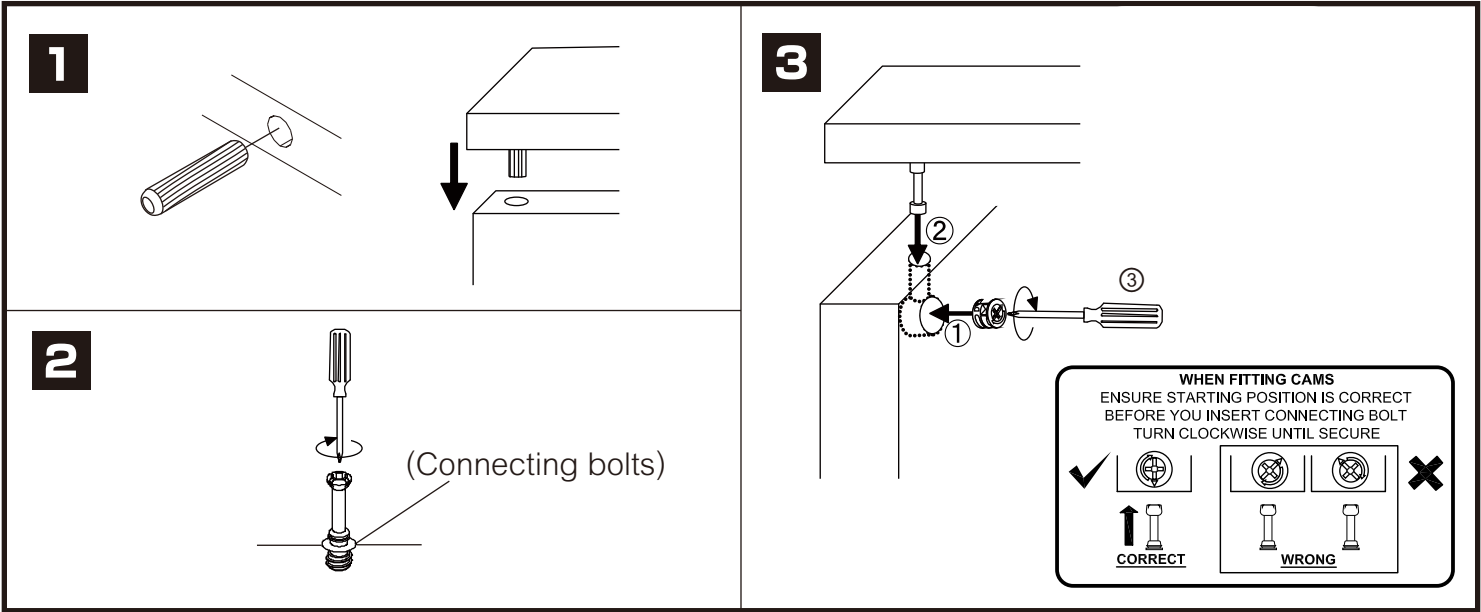


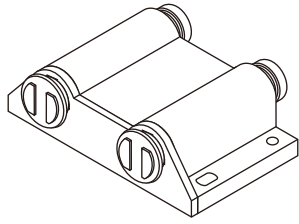
# BLANC-P

Show Cabinet 80 cm.

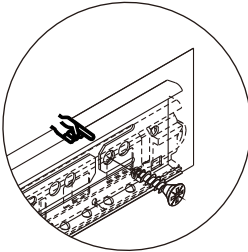
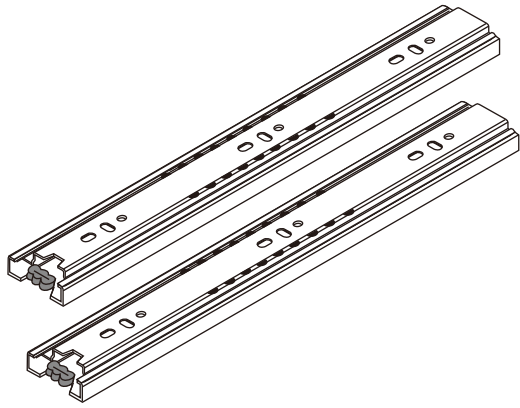
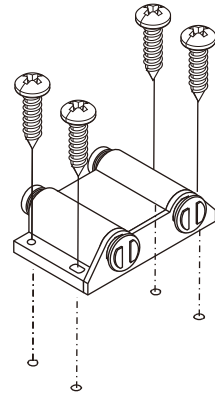


# CONNECT SYSTEM

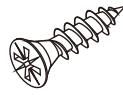




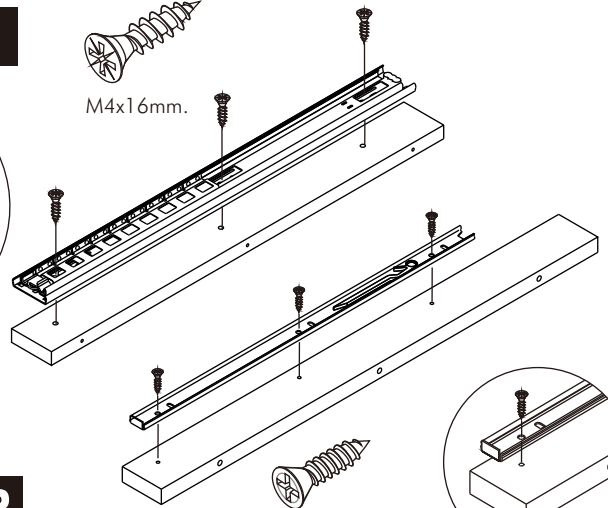
M3.5x16mm.



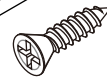
**1**



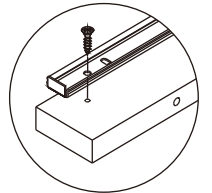
M4x16mm.



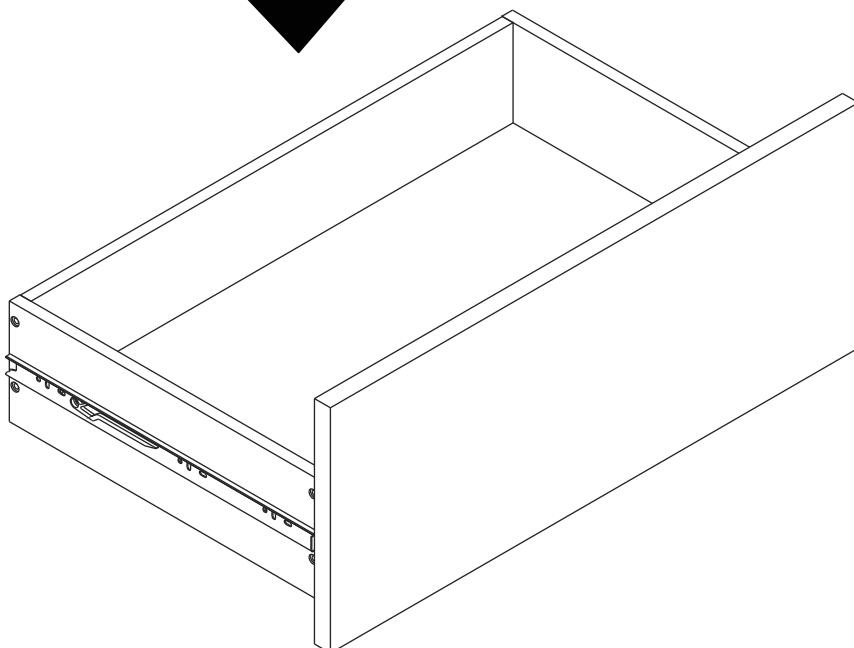
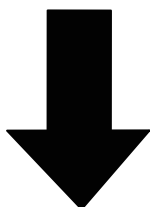
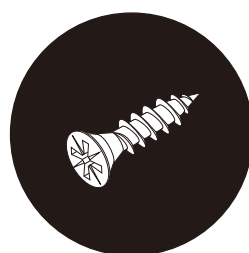
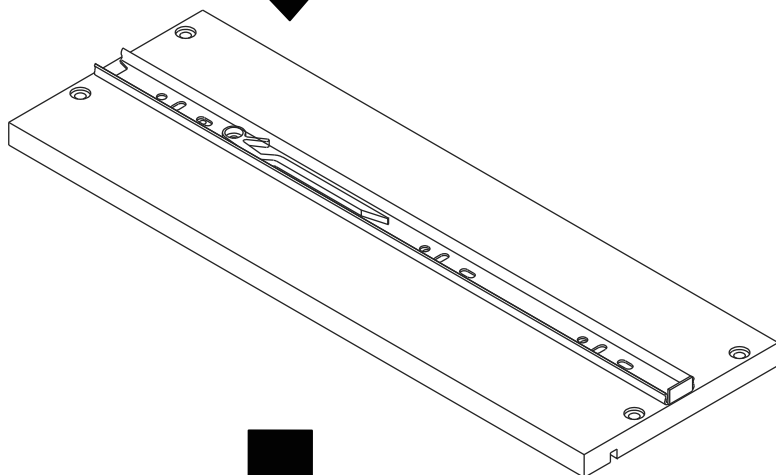
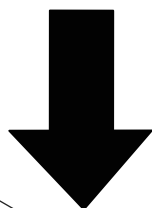
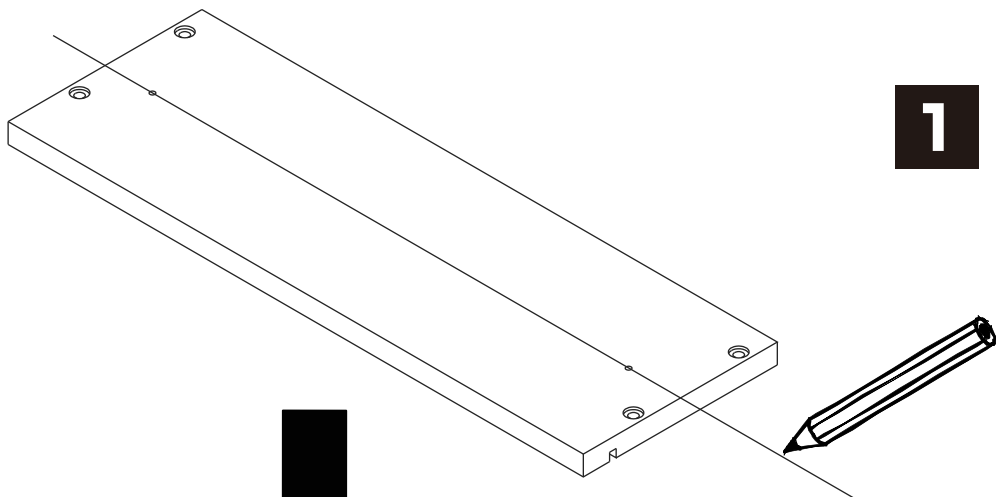
**2**



M3.5x13mm.

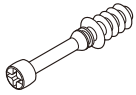






# HARDWARE

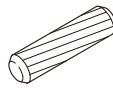
## -BODY SET



**x 10**

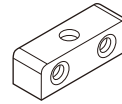


**x 10**

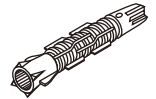


8x35mm.

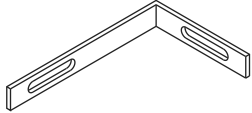
**x 20**



**x 3**



**x 1**

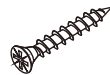


**x 1**



M4x16mm.

**x 13**



M3.5x20mm.

**x 14**

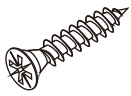


M4.5x60mm.

**x 8**



**x 14**



M4x25mm.

**x 9**



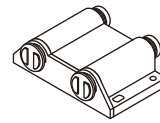
M3.5x16mm.

**x 16**

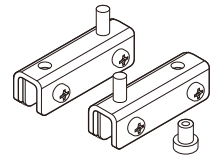


M3.5x16mm.

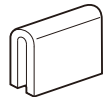
**x 4**



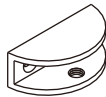
**x 1**



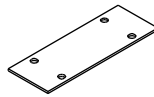
**x 4**



**x 2**



**x 8**

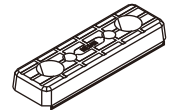


**x 2**



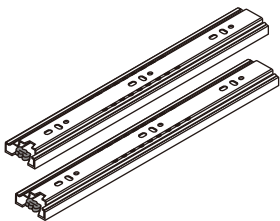
M5x50mm.

**x 1**



**x 6**

## -DRAWER SET

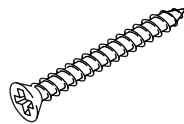


**x 3**



M3.5x13mm.

**x 18**



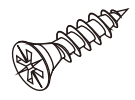
M4x40mm.

**x 36**



M6x23mm.

**x 18**



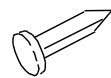
M4x16mm.

**x 30**

## -LAMP SET



**x 10**

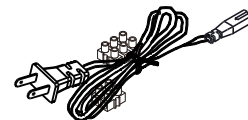


**x 10**

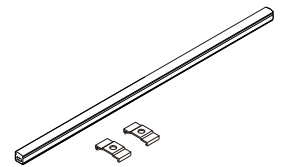


#5x3/4"

**x 2**



**x 1**



**x 1**

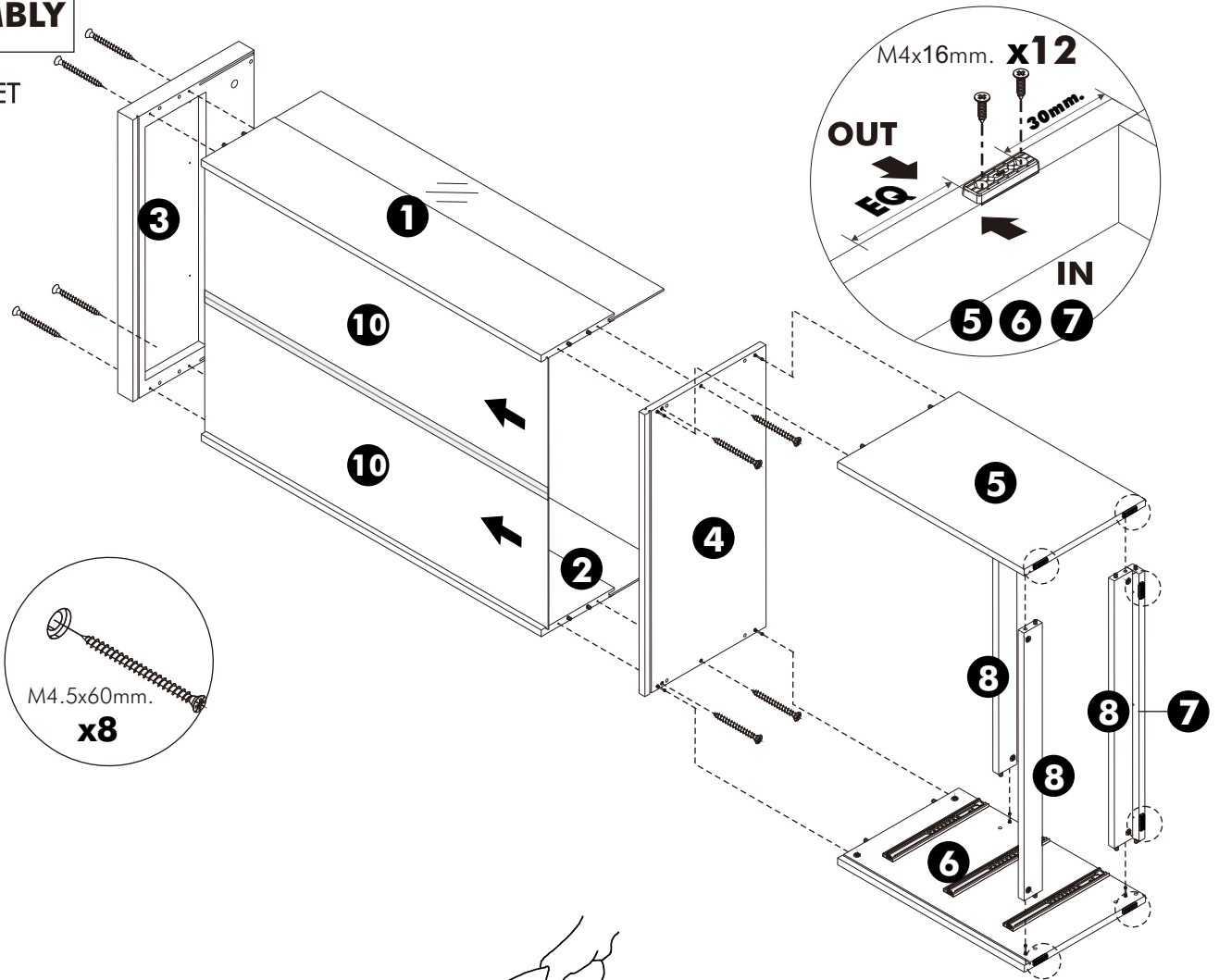


**x 1**

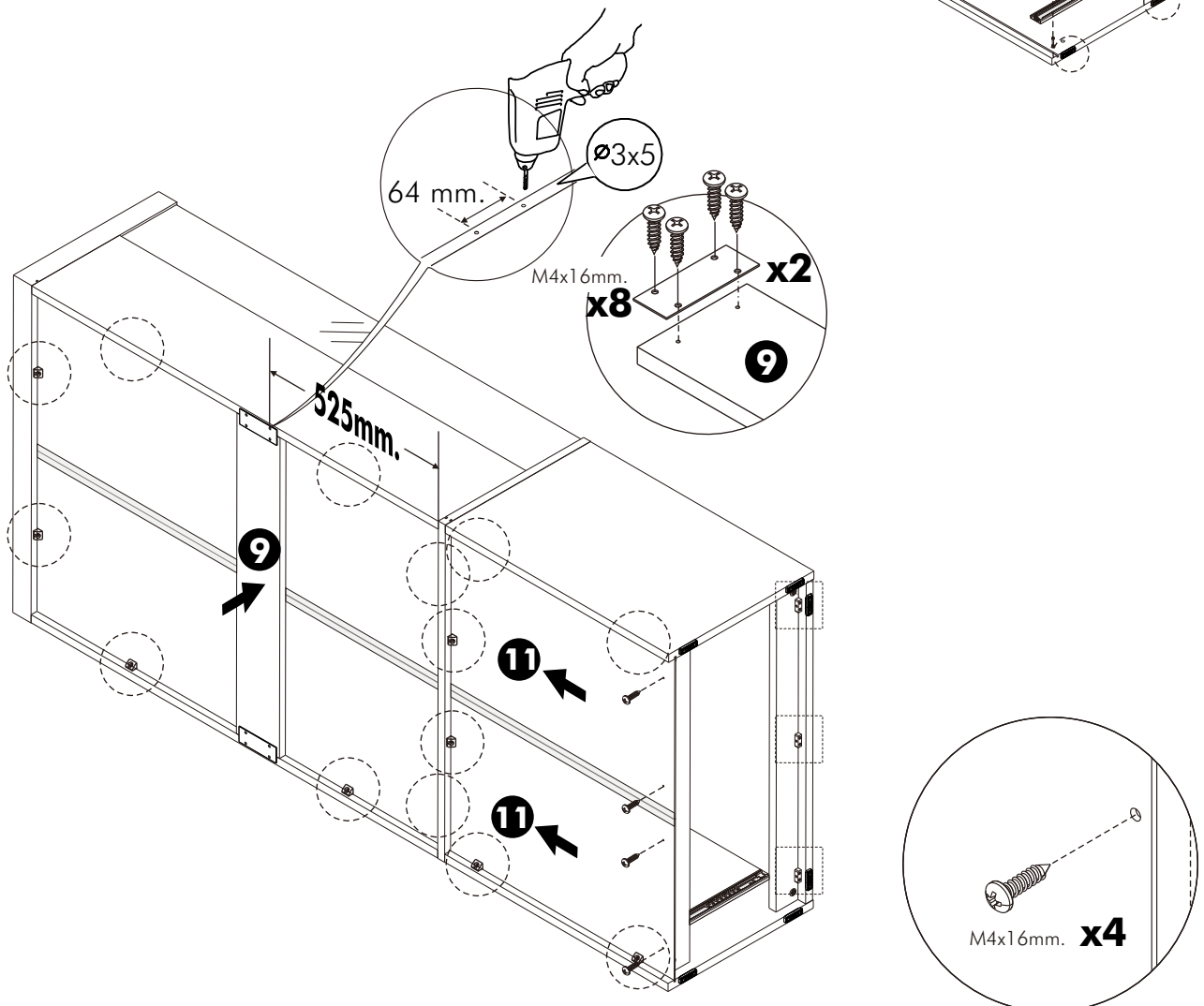
# ASSEMBLY

-BODY SET

## 1.

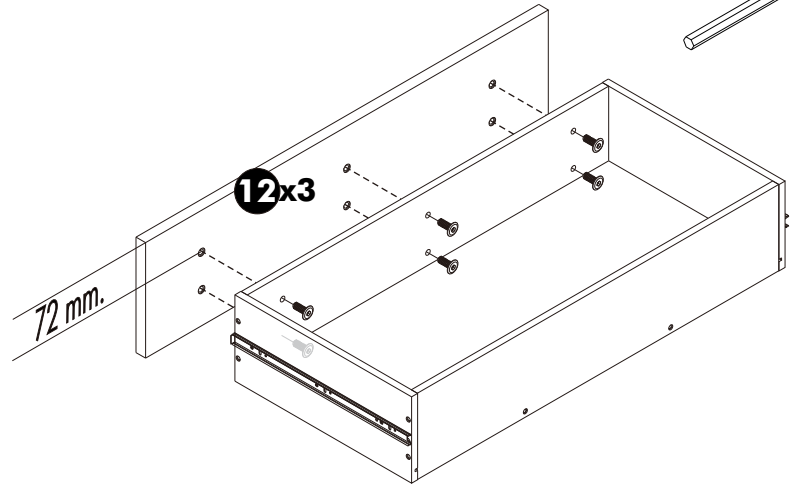
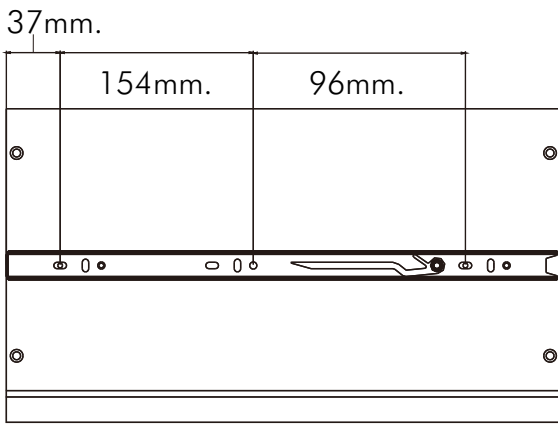
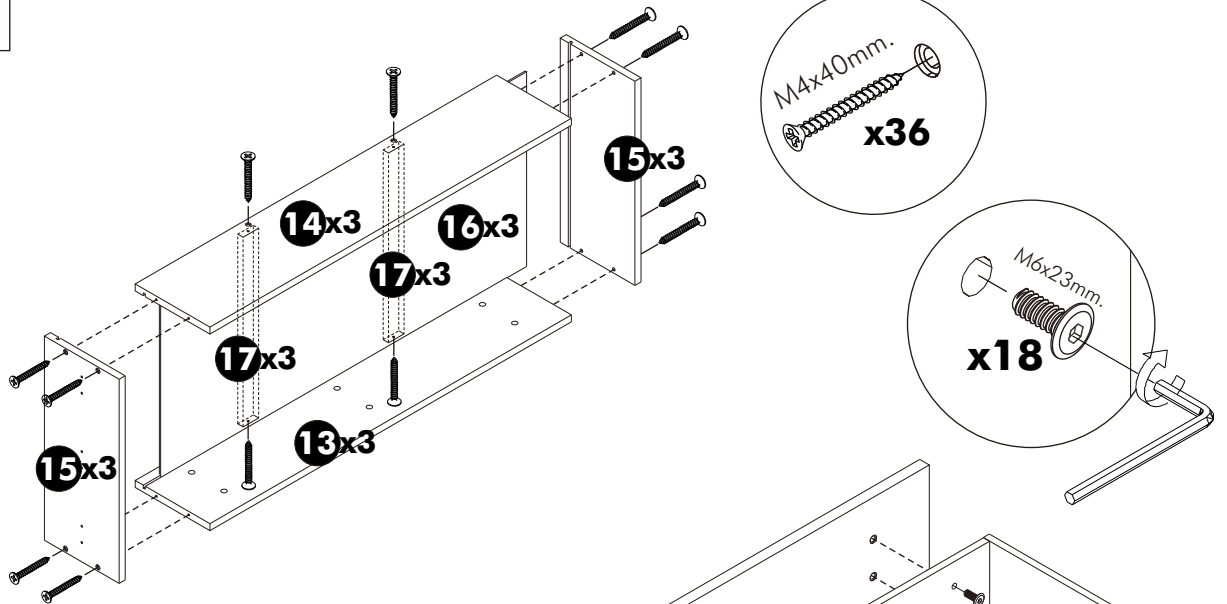


## 2.

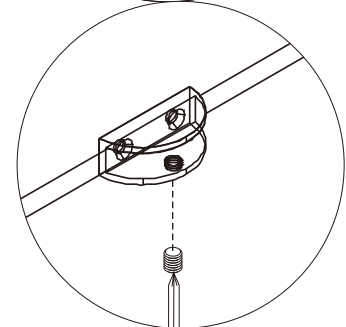
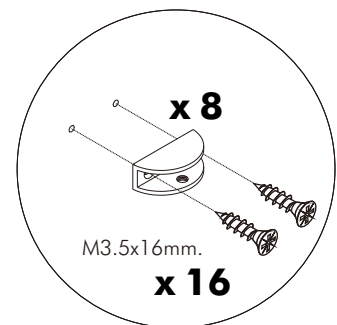
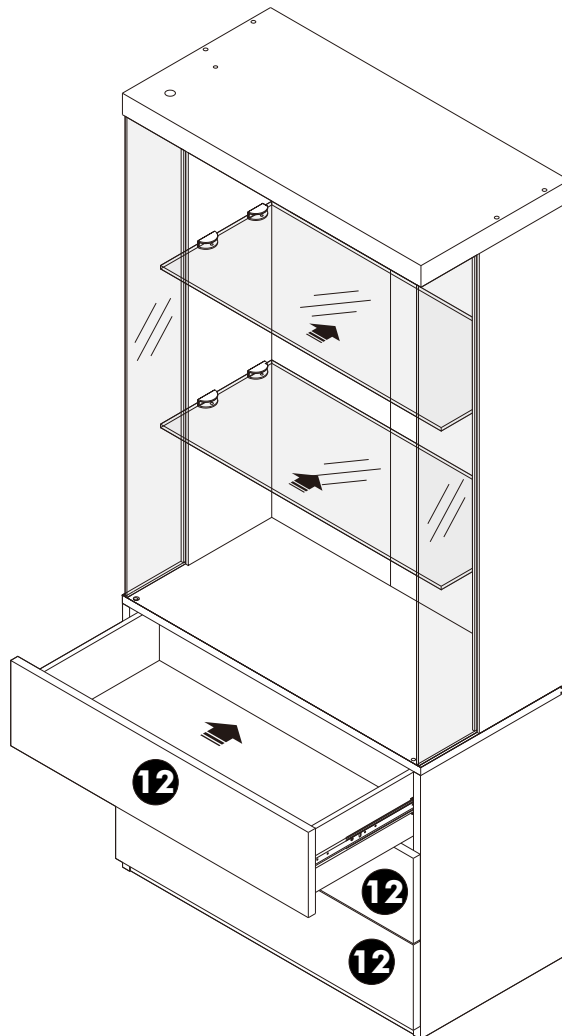
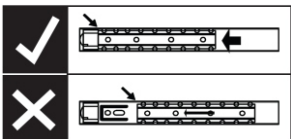
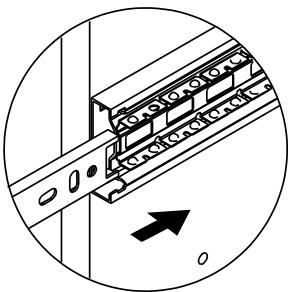


# ASSEMBLY

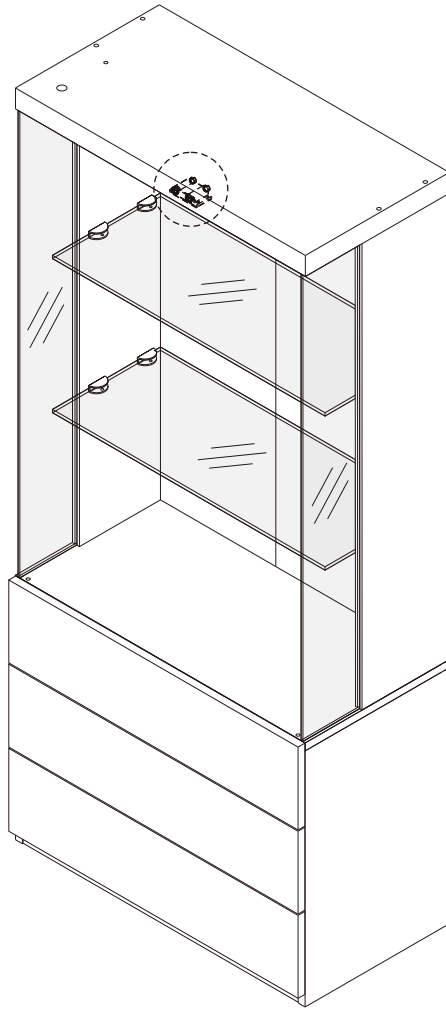
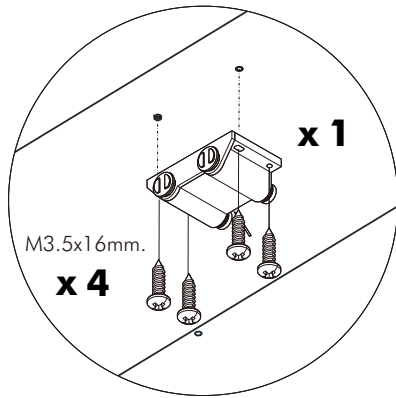
-DRAWER SET



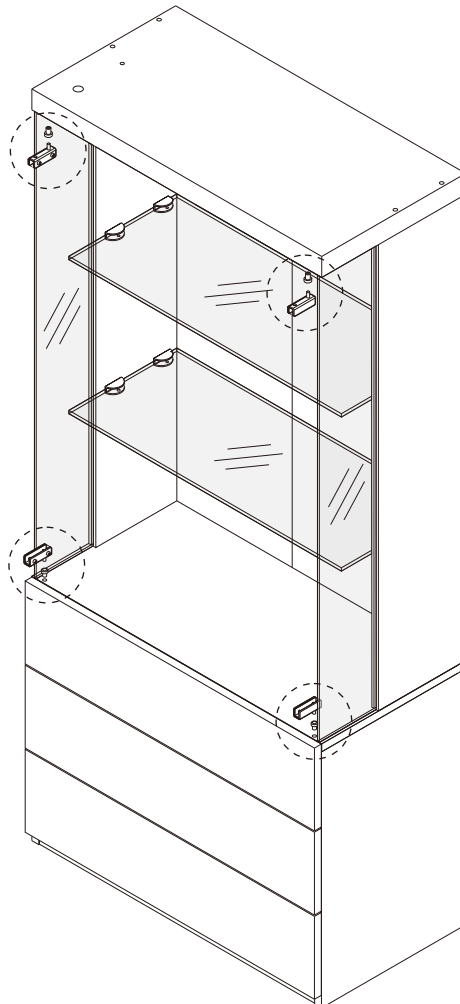
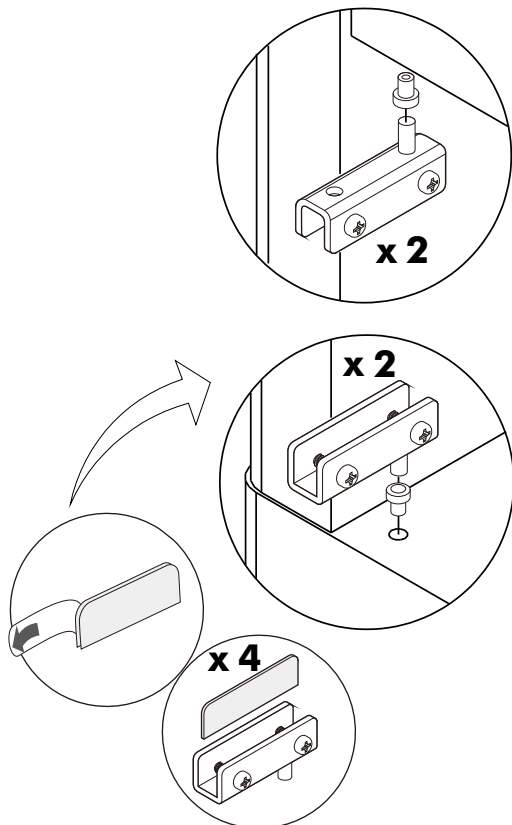
**3.**



**4.**



**5.**



6.

