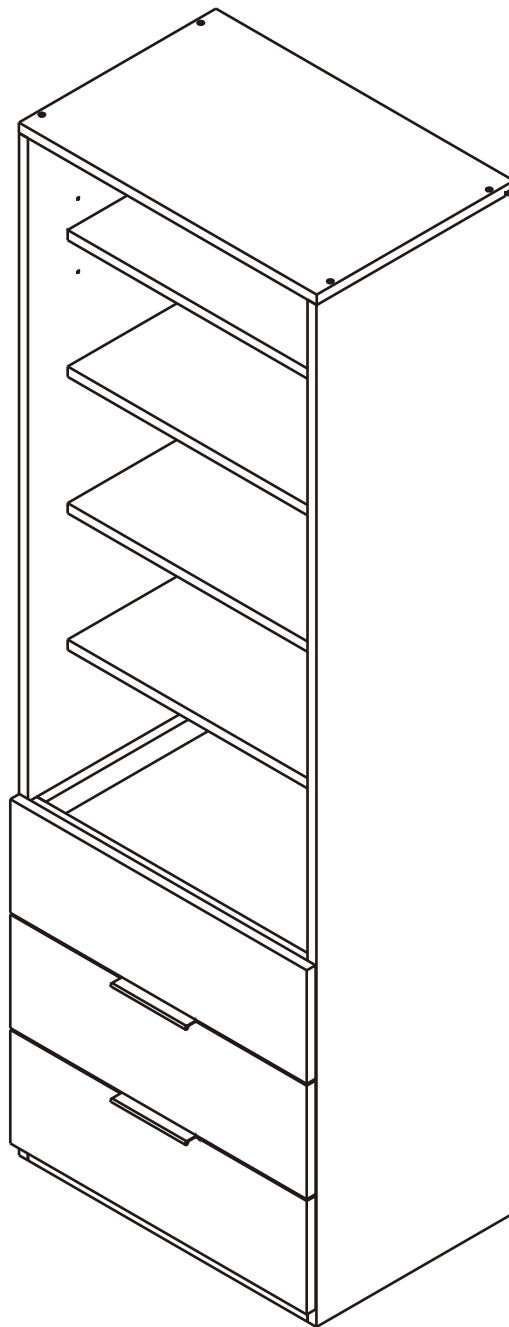
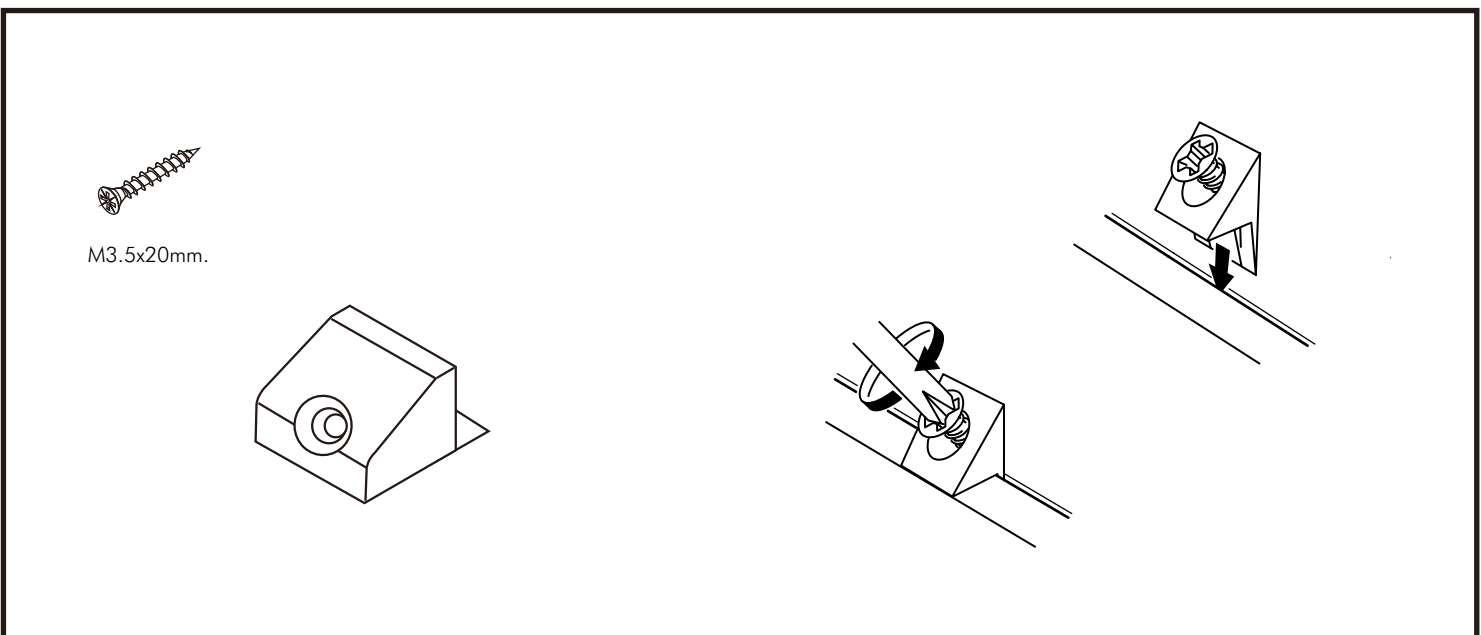
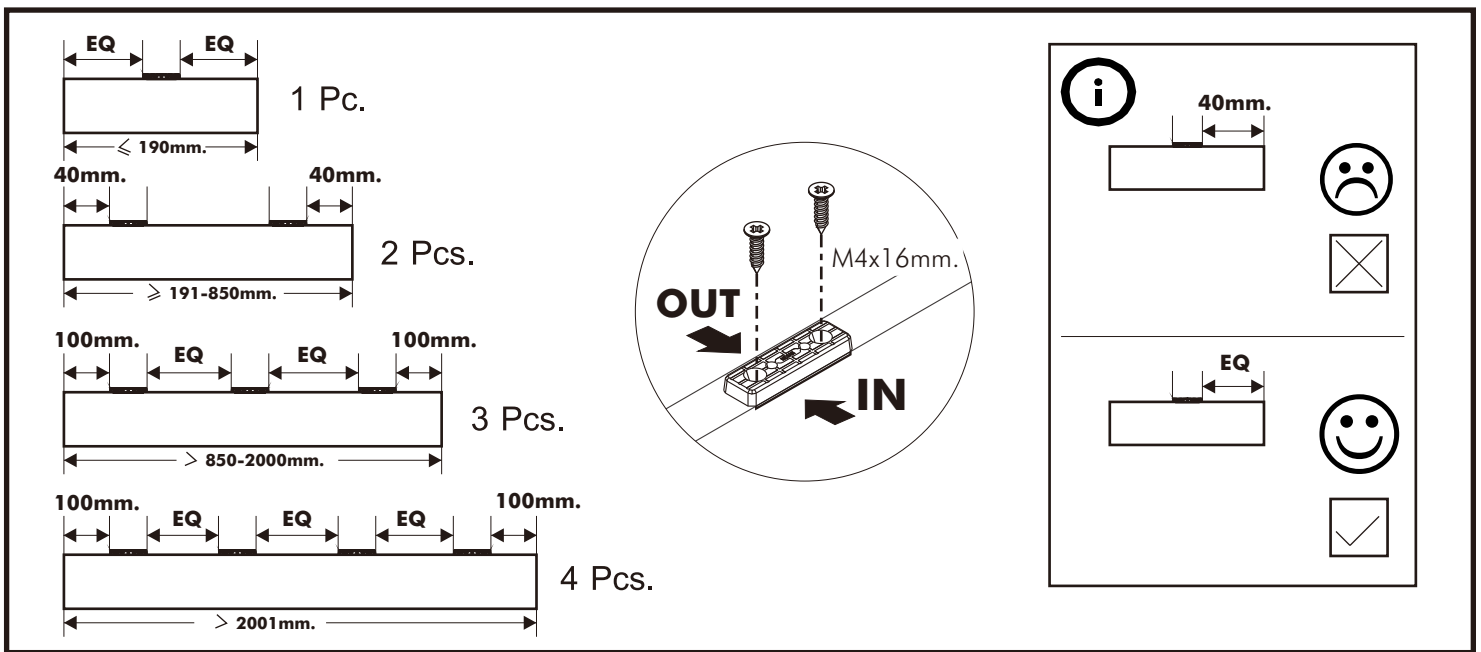
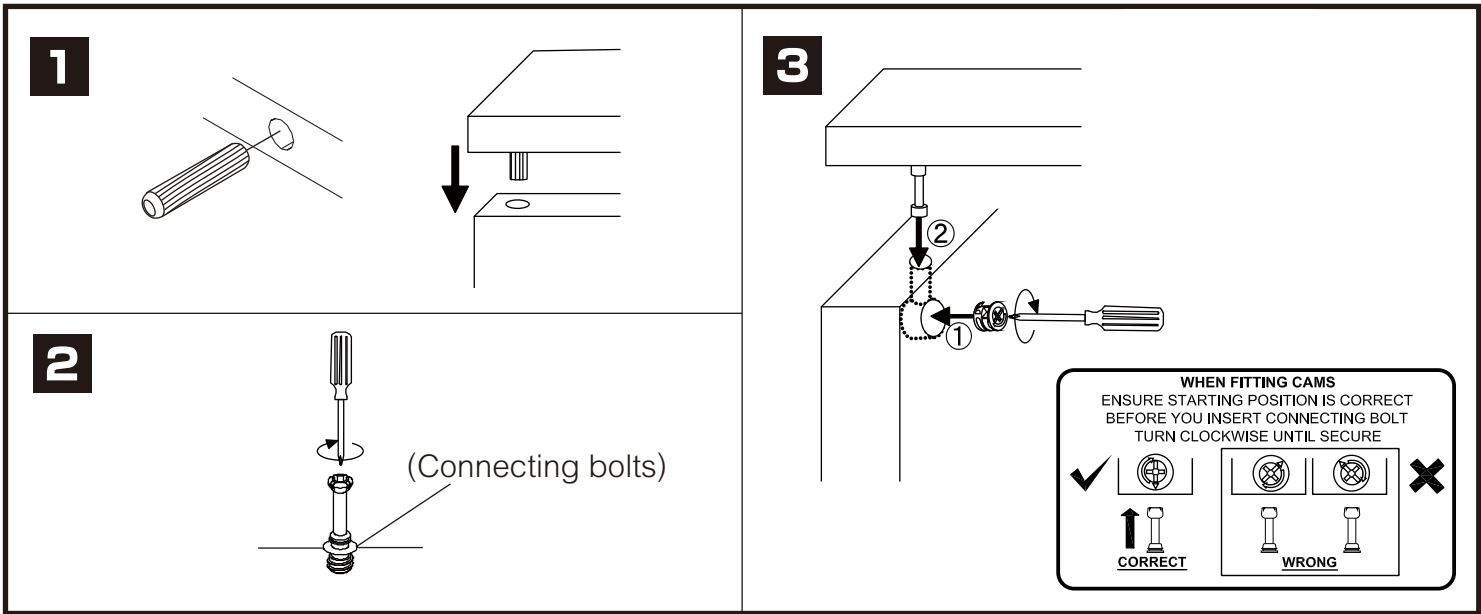


MAZZIMO

High Cabinet 60 cm.

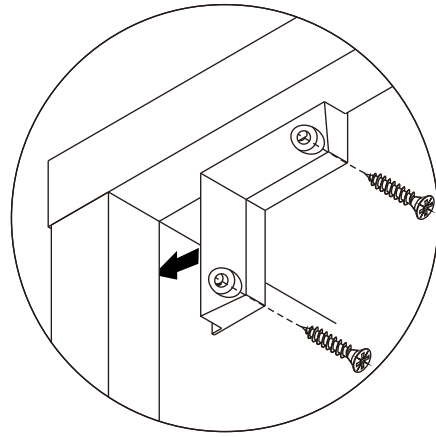
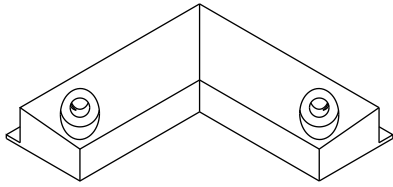


CONNECT SYSTEM

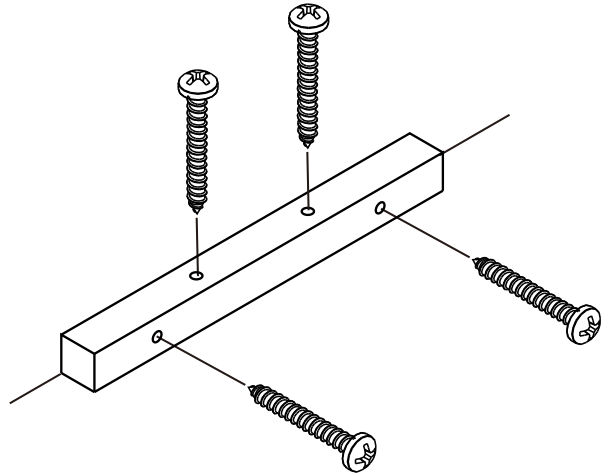
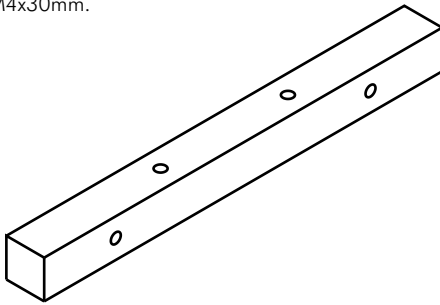




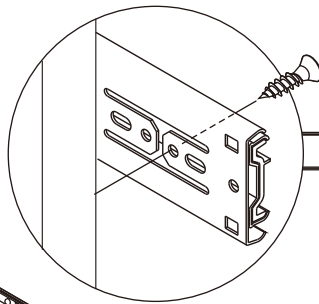
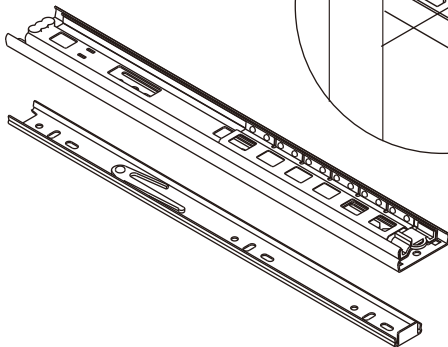
M3.5x20mm.



M4x30mm.

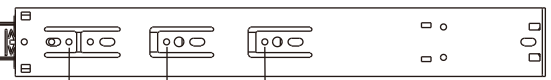


M3.5x13mm.



1

2



Use these holes



Use these holes



The Standard for identifying which mounted safety fall protection fitting to use **Note : That children's products must be installed with all anti-falling fittings.**

■ Mounted fall protection fittings



■ Category : Cabinet with open doors

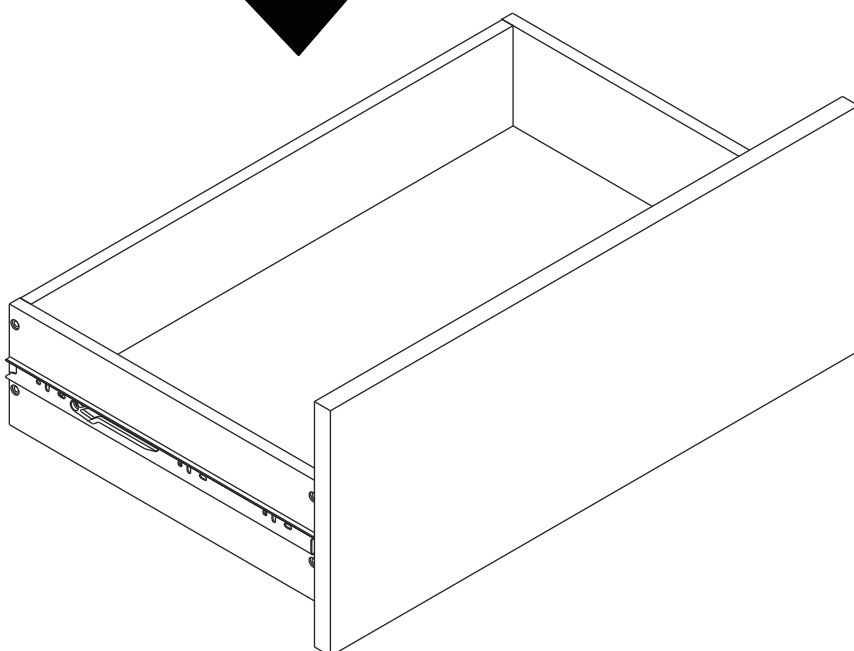
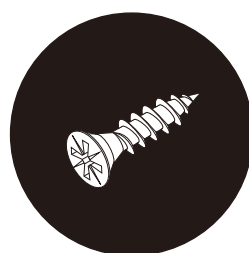
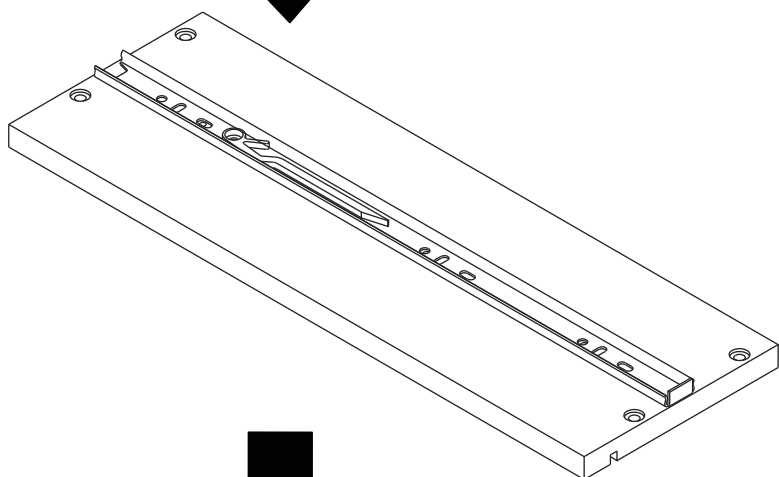
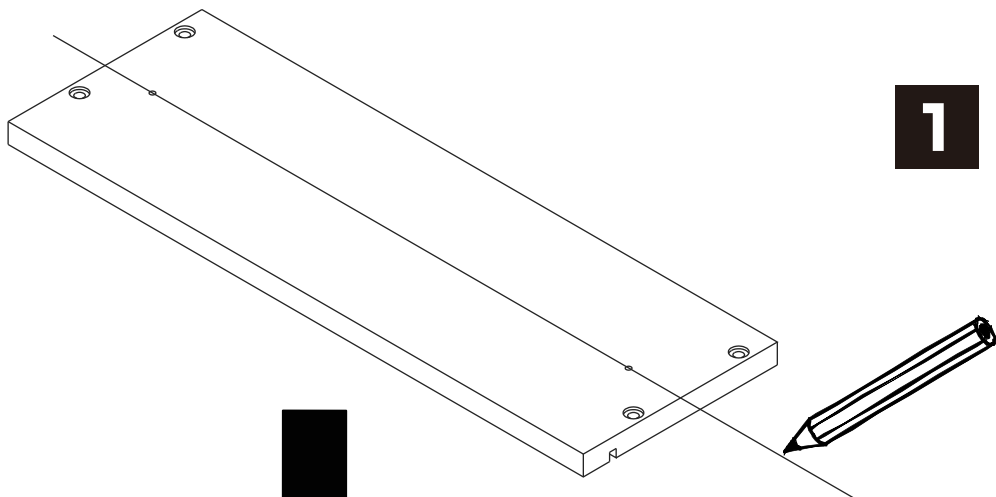


■ Category : Chest of drawers



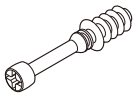
■ Category : Sliding door cabinet / Open cabinet





HARDWARE

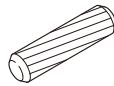
-BODY SET



x 4



x 4

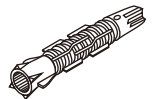


8x35mm.

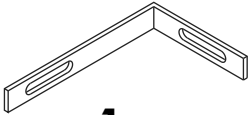
x 28



x 4



x 1



x 1



M4x16mm.

x 7



M3.5x20mm.

x 12

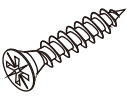


M4x50mm.

x 4



x 8



M4x25mm.

x 12



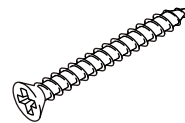
M5x50mm.

x 1



M3.5x13mm.

x 8

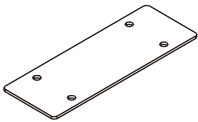


M4x40mm.

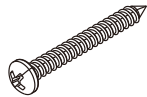
x 4



x 4

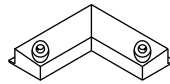


x 2

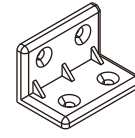


M4x30mm.

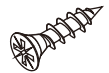
x 8



x 2

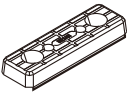


x 8



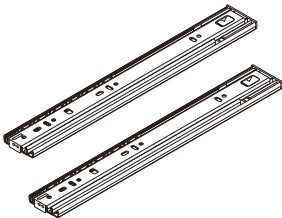
M4x16mm.

x 46



x 6

-DRAWER SET

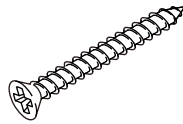


x 3



M3.5x13mm.

x 36



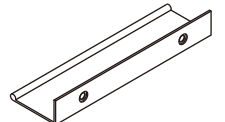
M4x40mm.

x 30



M6x23mm.

x 6



x 2



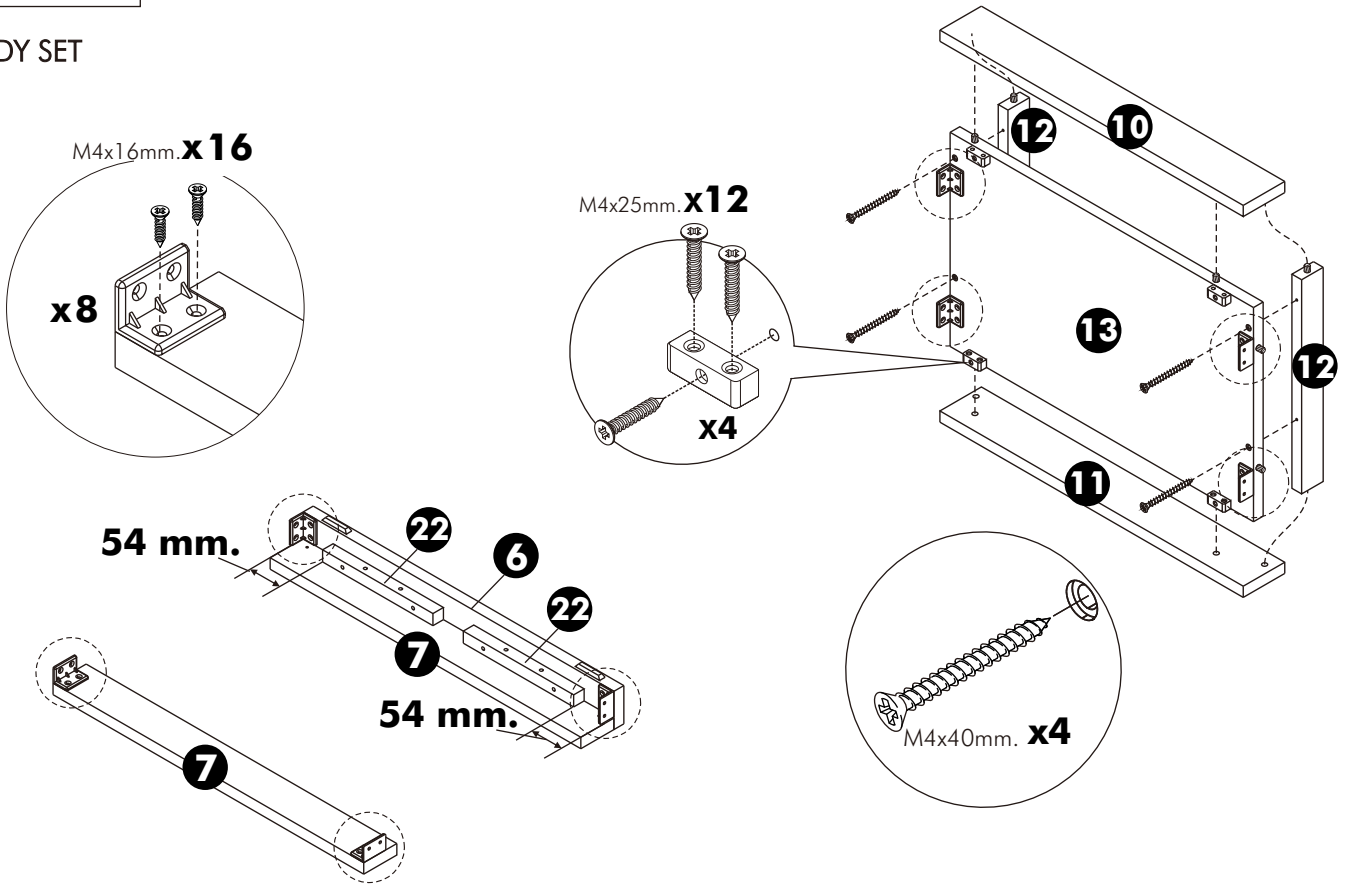
M3.5x16mm.

x 4

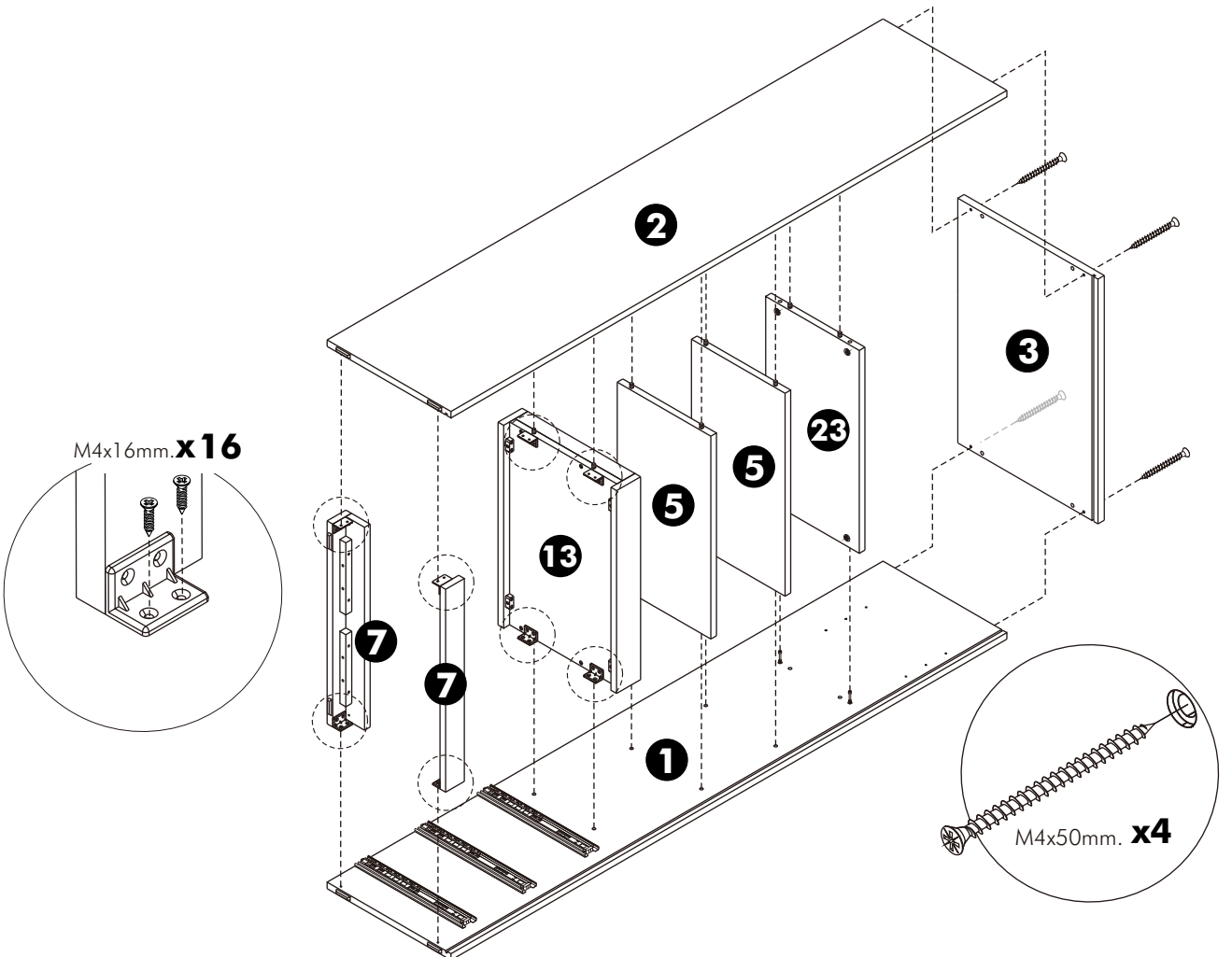
ASSEMBLY

-BODY SET

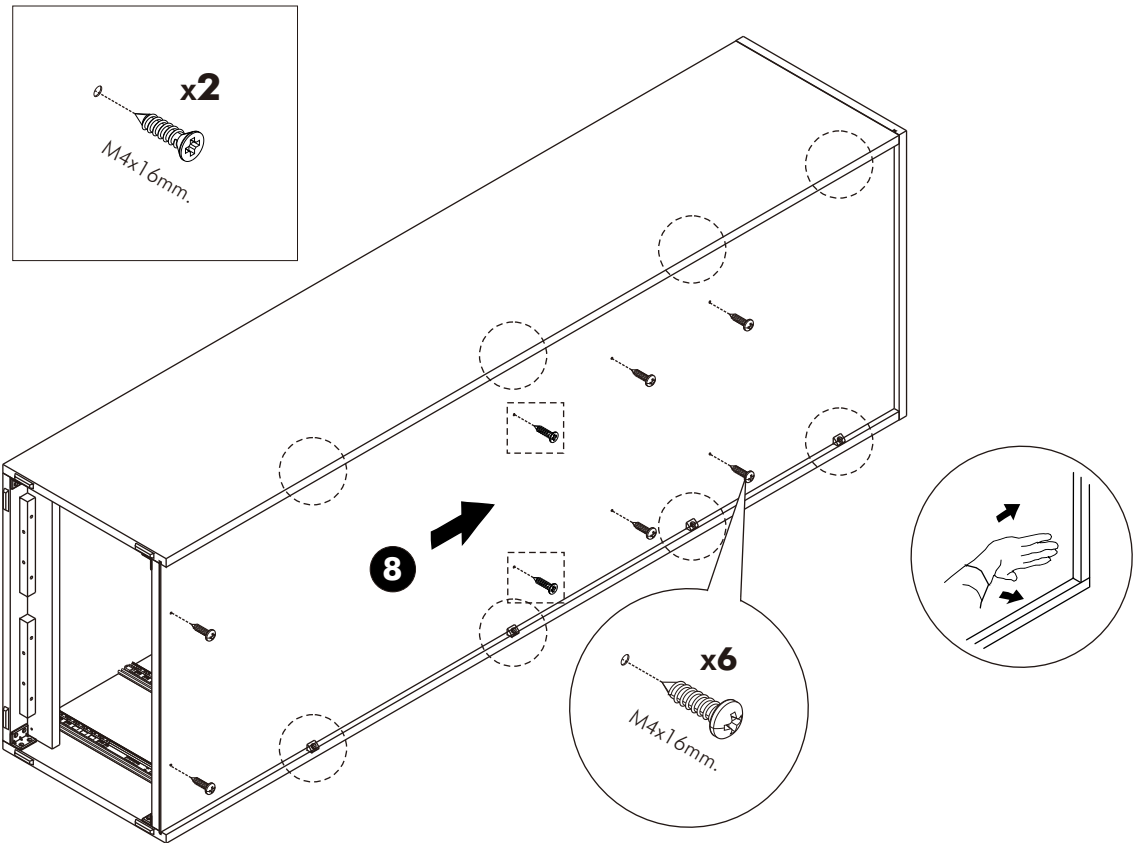
1.



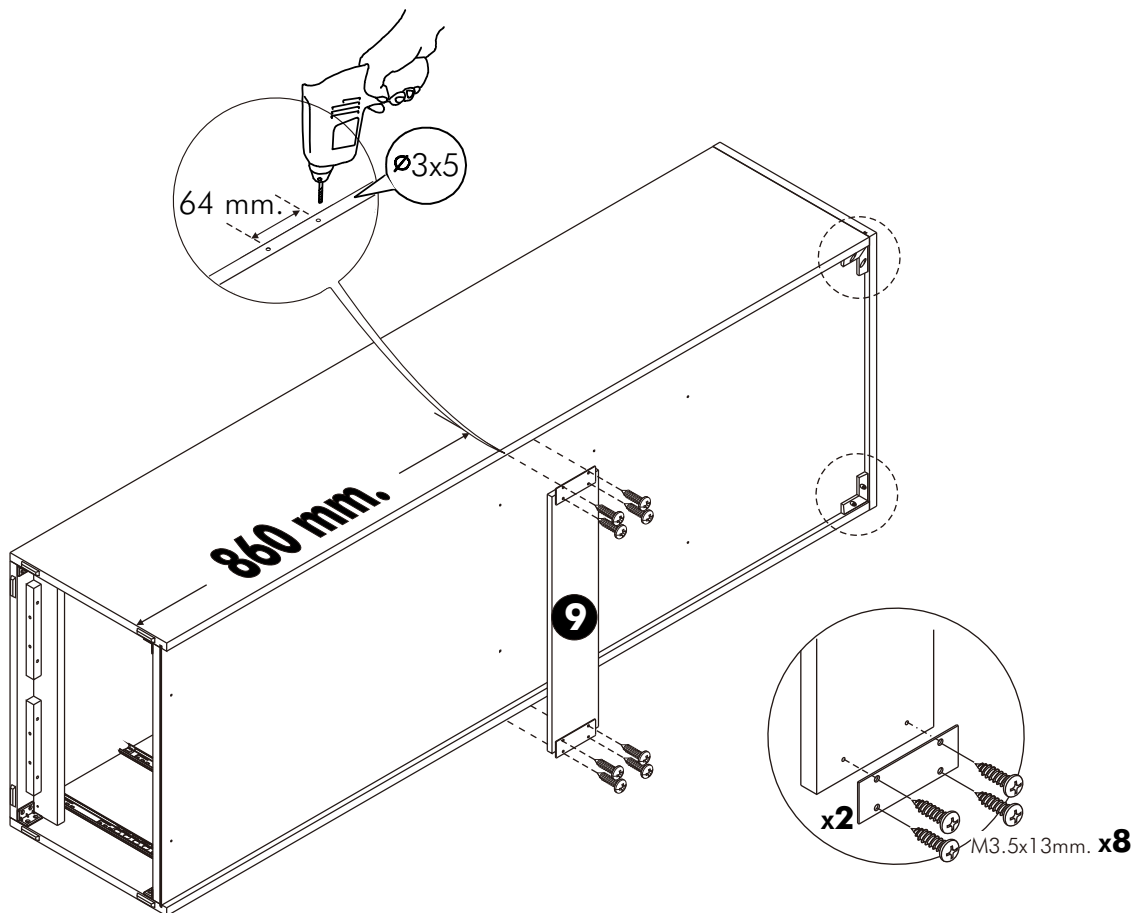
2.



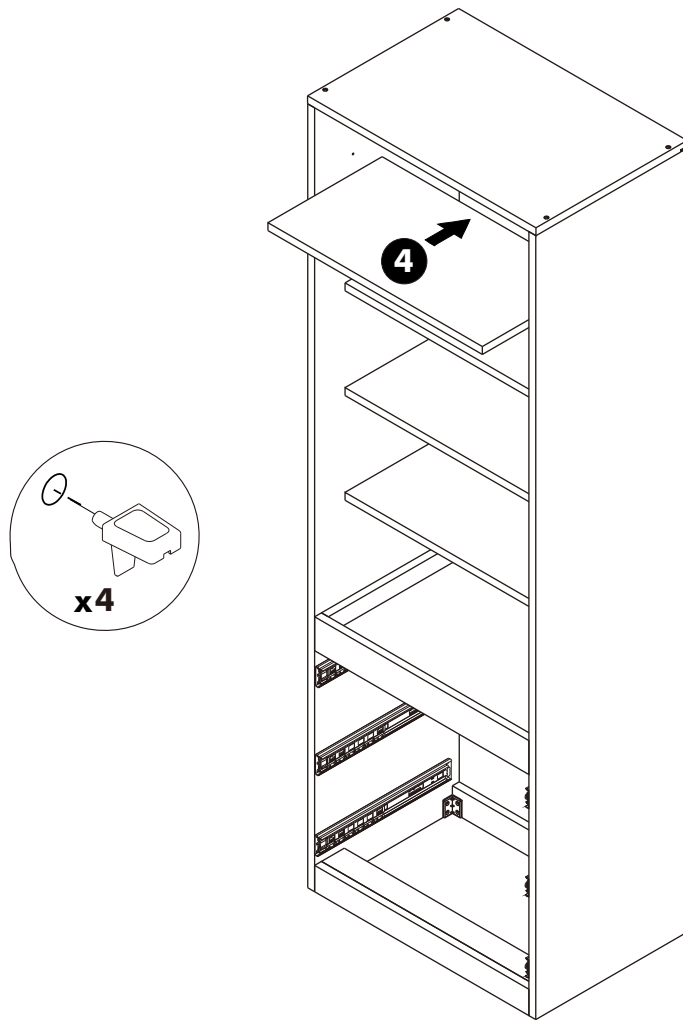
3.



4.



5.



ASSEMBLY

-DRAWER SET

3 set.

