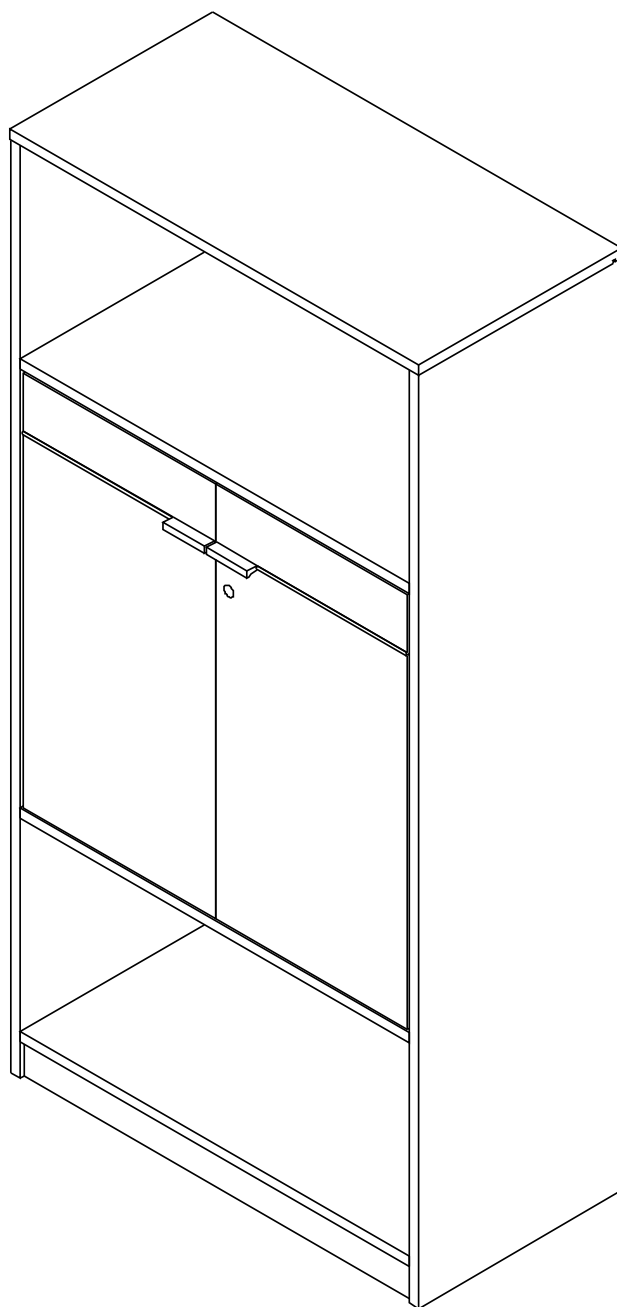
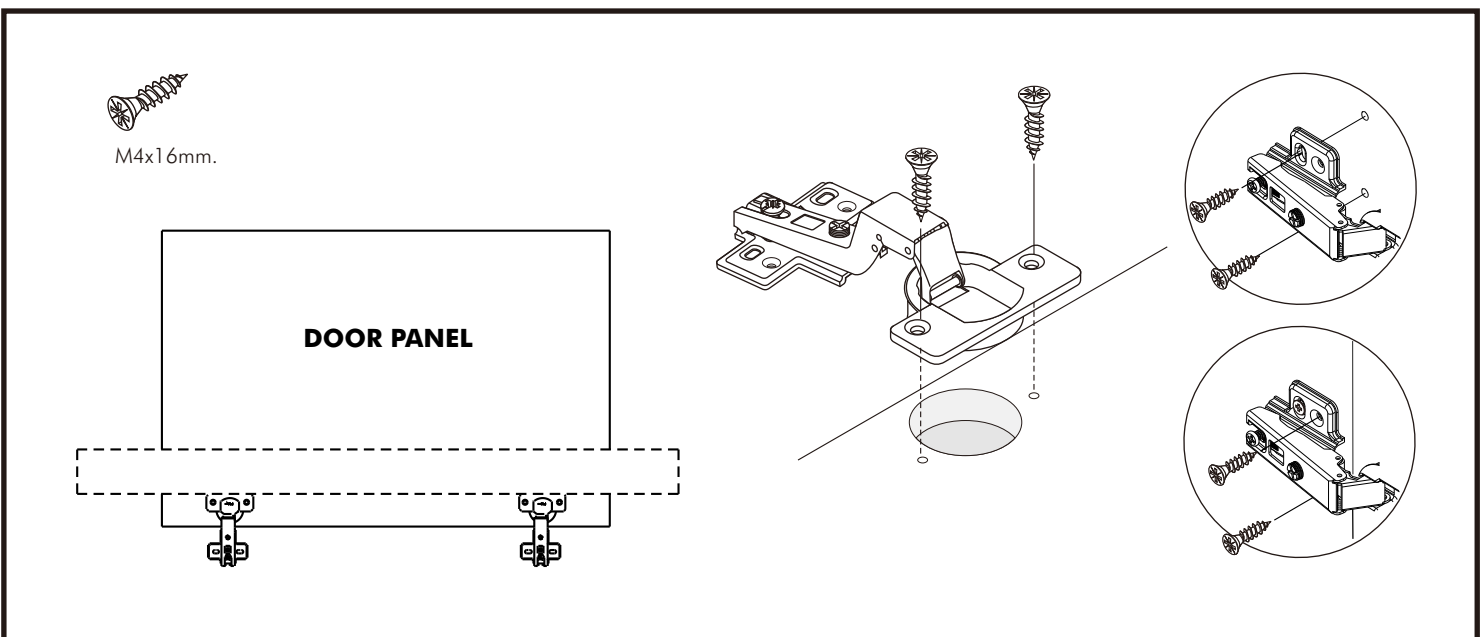
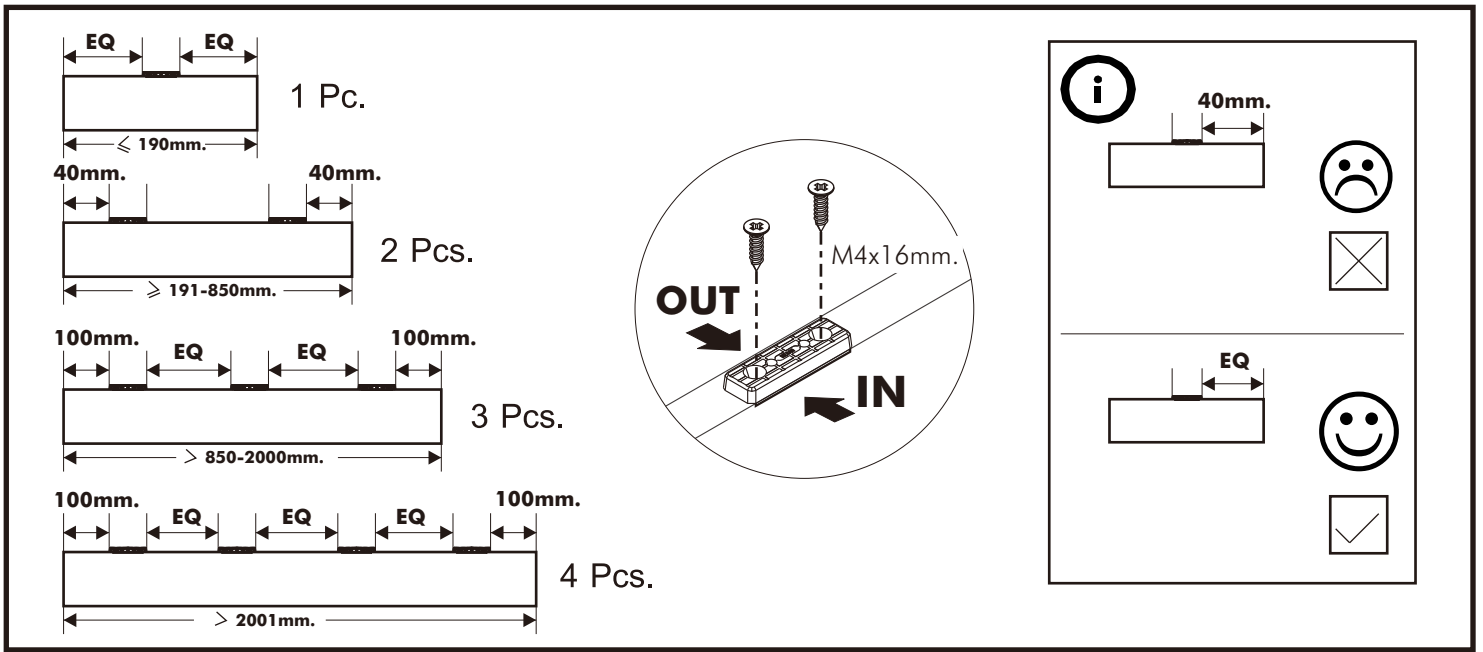
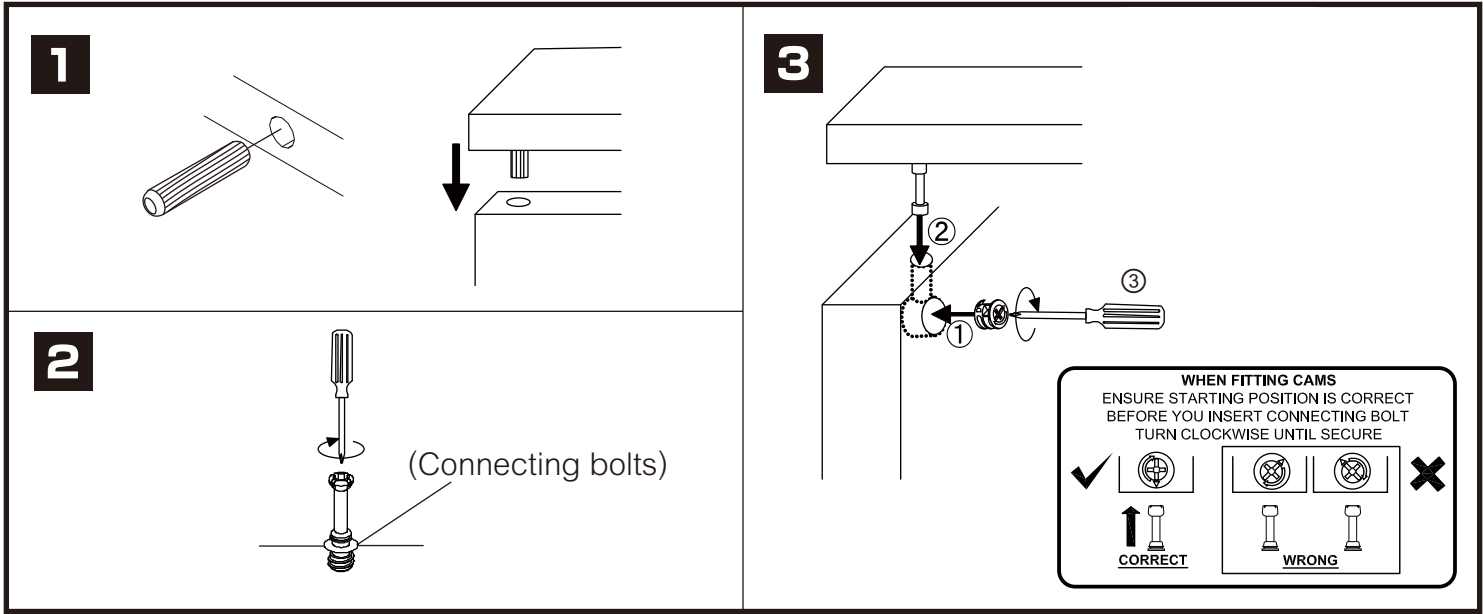


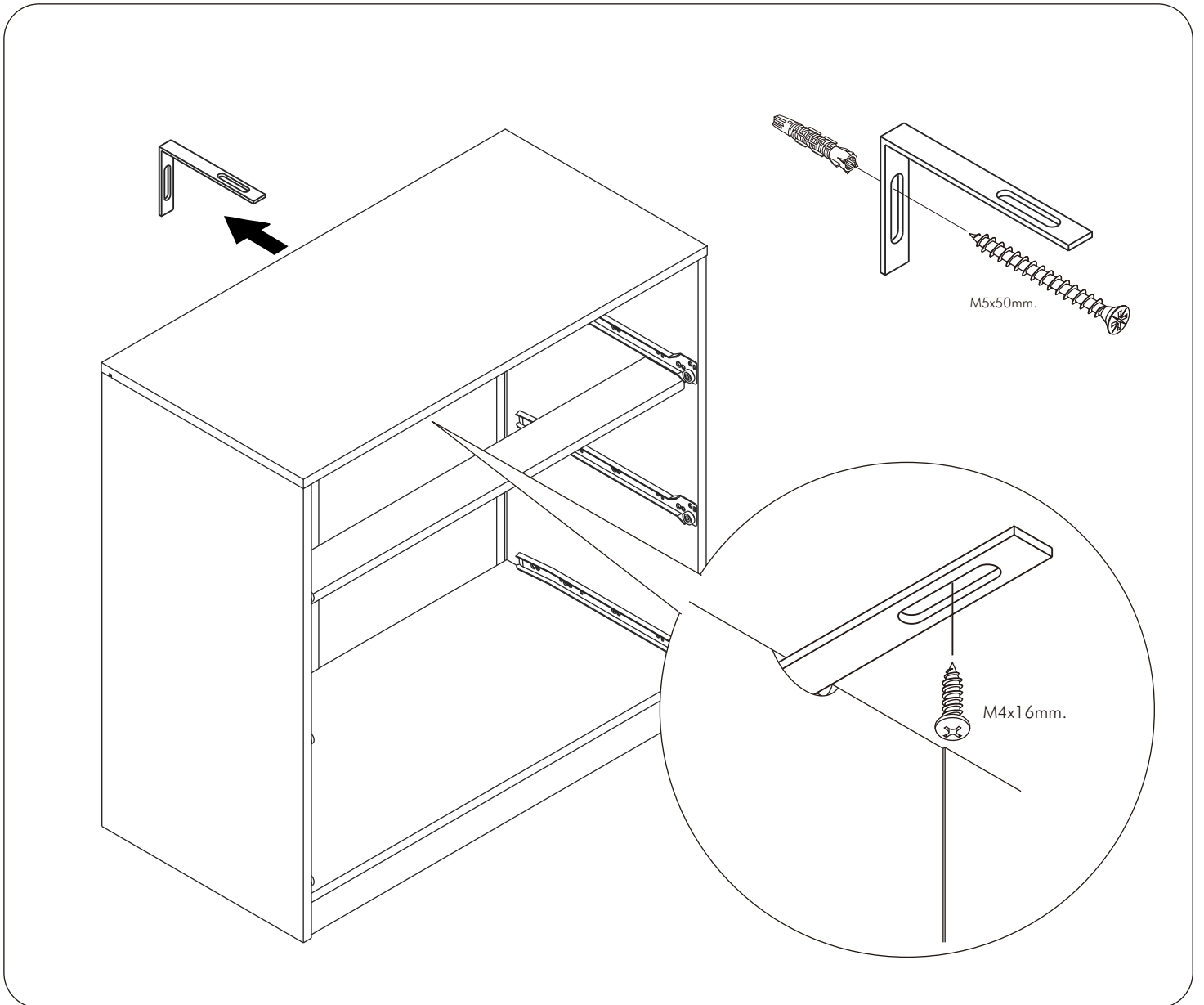
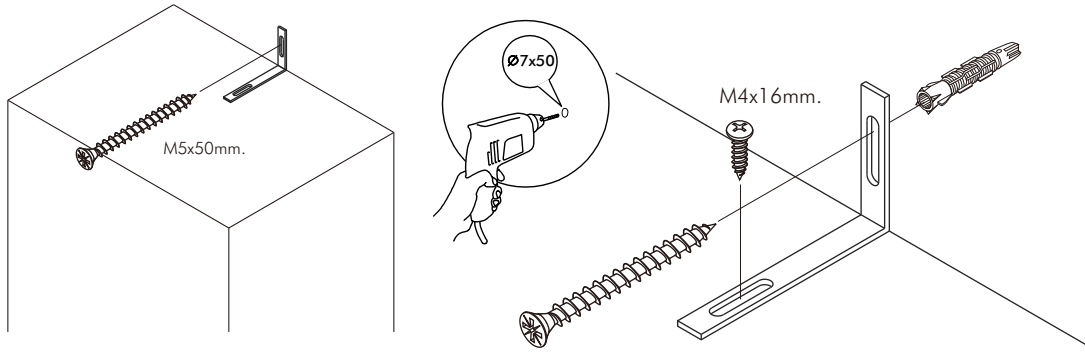
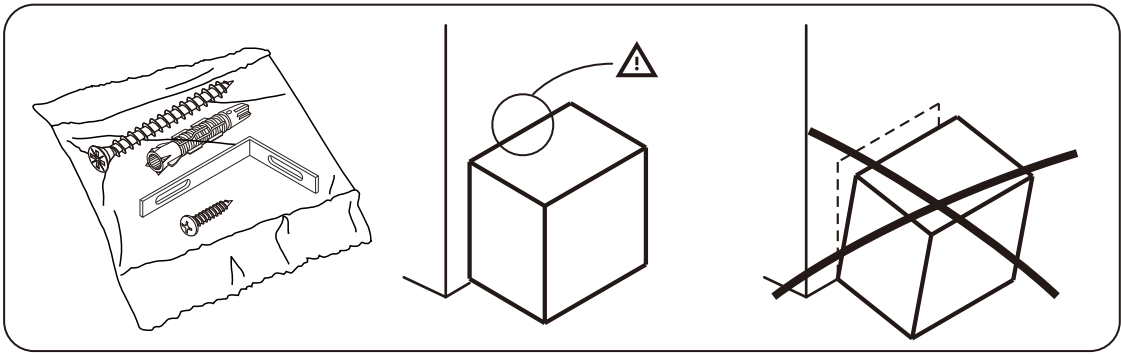
VECTRA-P

High cabinet 2 doors 80 cm.



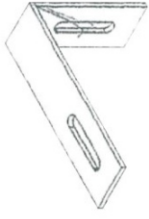
CONNECT SYSTEM



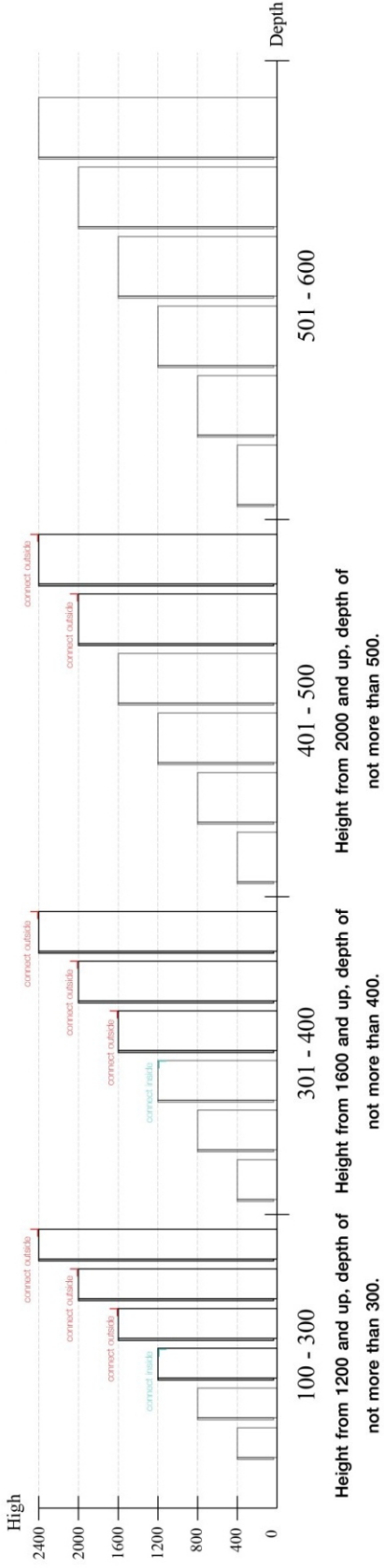


The Standard for identifying which mounted safety fall protection fitting to use **Note : That children's products must be installed with all anti-falling fittings.**

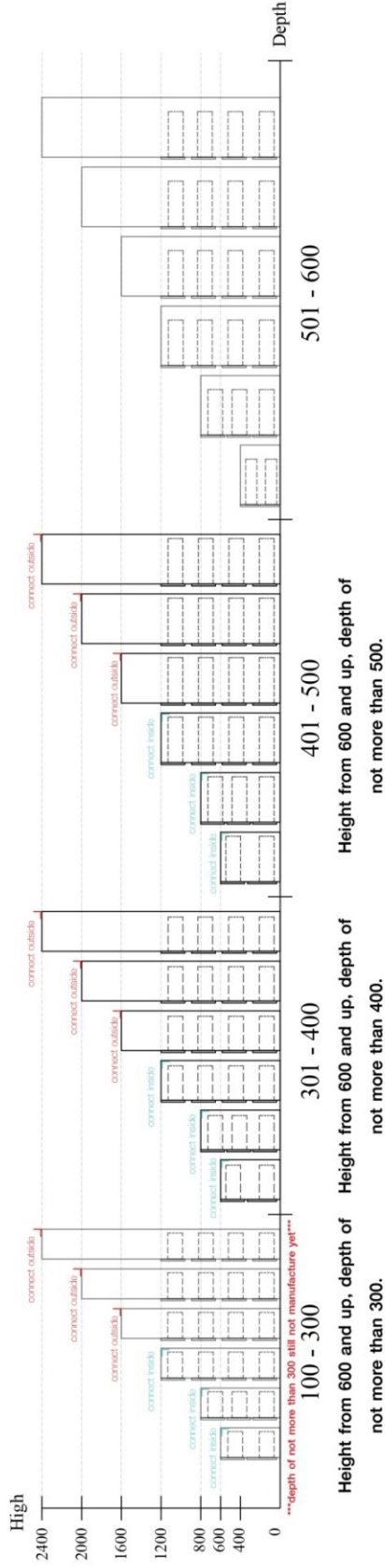
■ Mounted fall protection fittings



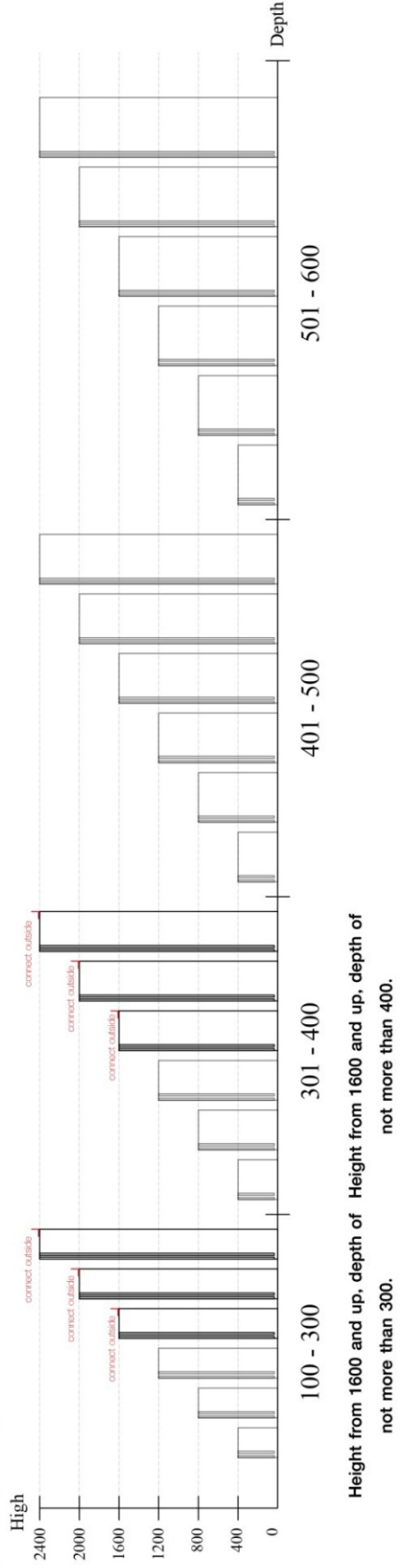
■ Category : Cabinet with open doors



■ Category : Chest of drawers

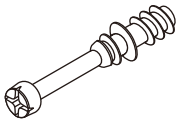


■ Category : Sliding door cabinet / Open cabinet



HARDWARE

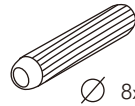
- BODY SET



x 24

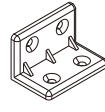


x 24

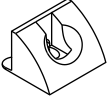


Ø 8x35mm.

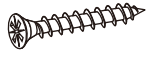
x 28



x 6

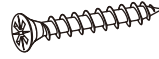


x16



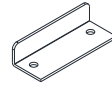
#M 3.5x20mm. (F)

x 16



#M 4x25mm. (F)

x 6



x 1



F+4x1/2"

x 2



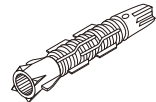
#M 4x16mm. (F)

x 32

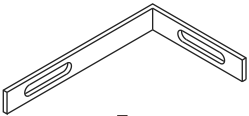


M4x16mm.

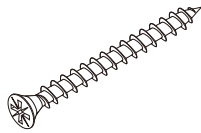
x 1



x 1

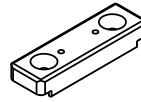


x 1



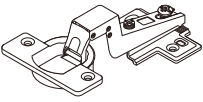
M5X50mm.

x 1



x 4

- DOORS SET

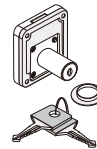


x 4

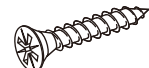


#M 4x16mm. (F)

x 24

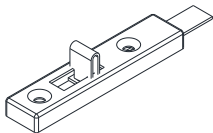


x 1



#5x3/4" (F)

x 4

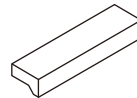


x 1



F+3.5x13

x 1



x 2

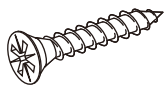


#M 4x22mm.

x 4



x 1



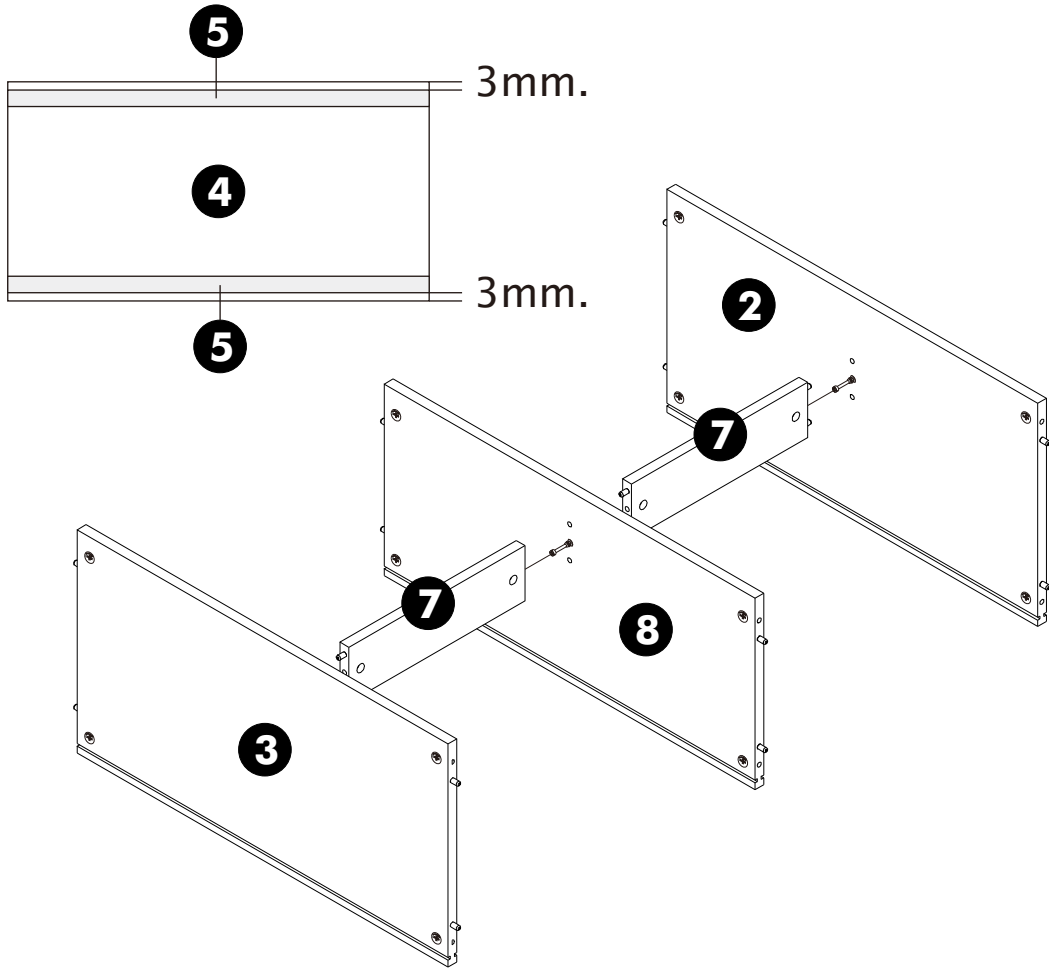
#6x3/4" (F)

x 2

ASSEMBLY

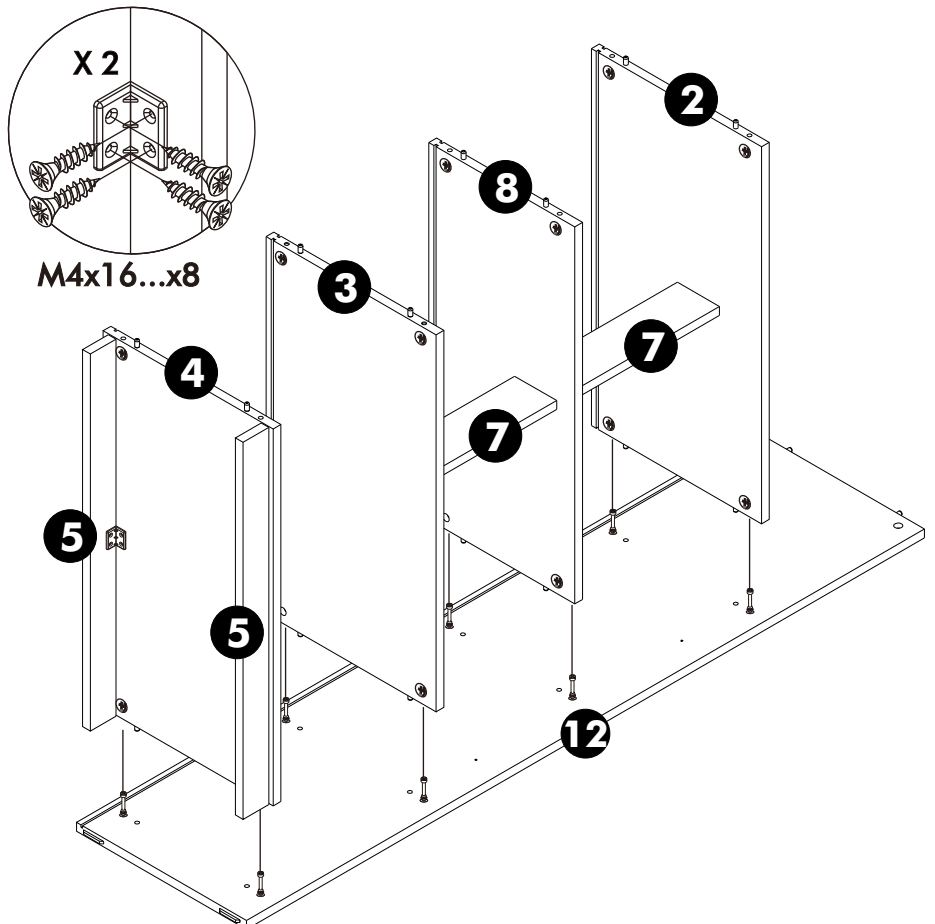
-BODY SET

1.

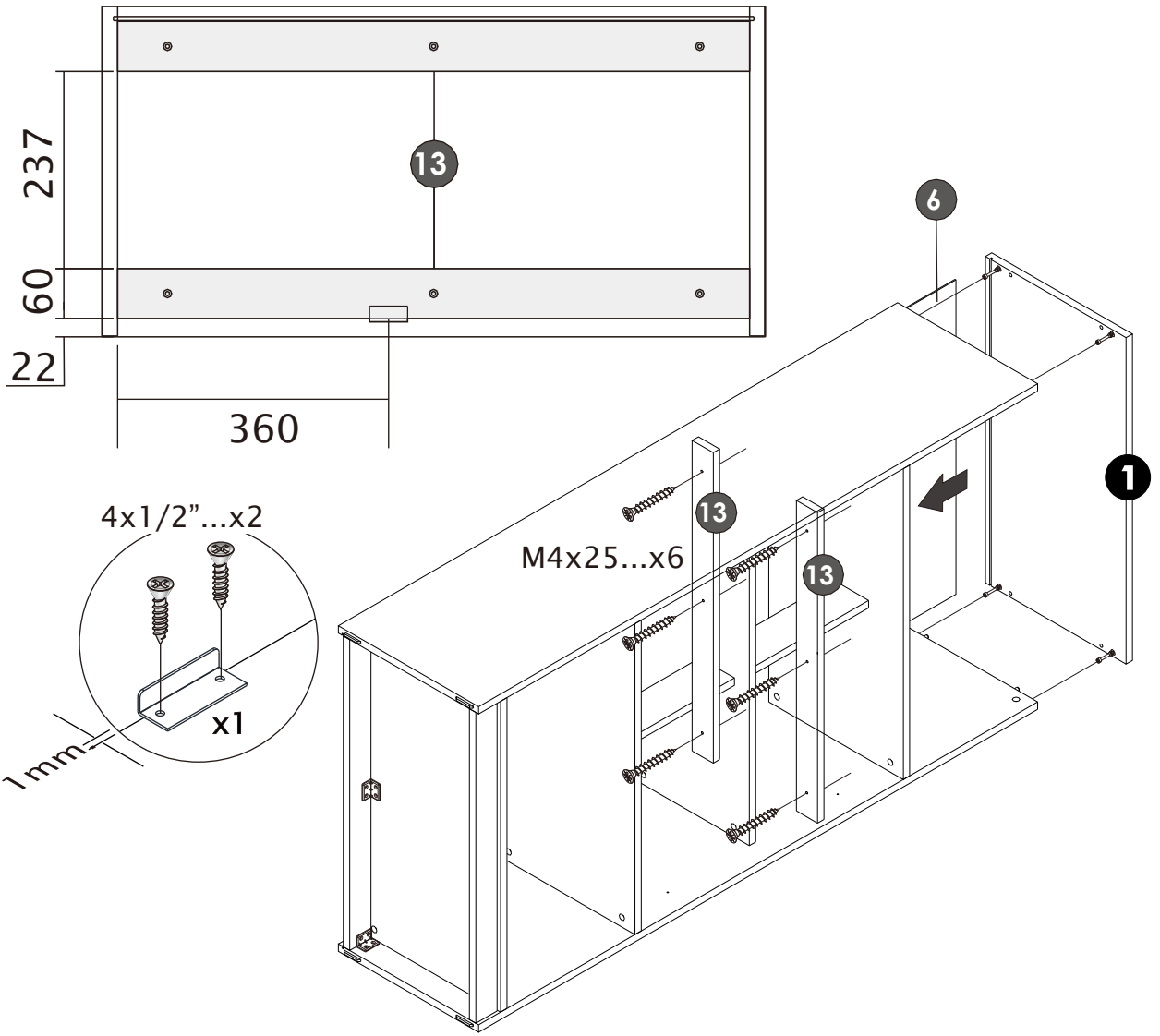


2.

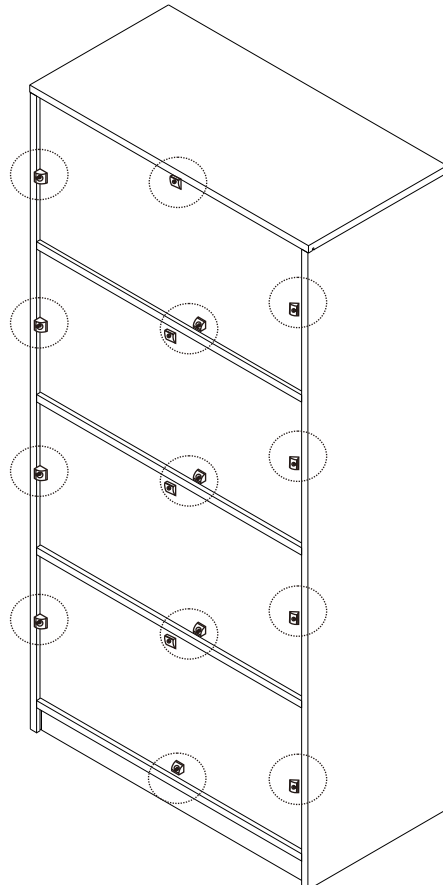
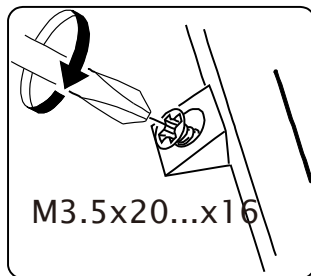
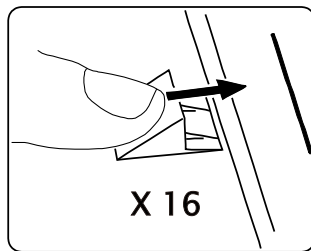
-BODY SET



5.



6.



ASSEMBLY

-DOORS SET

1.

