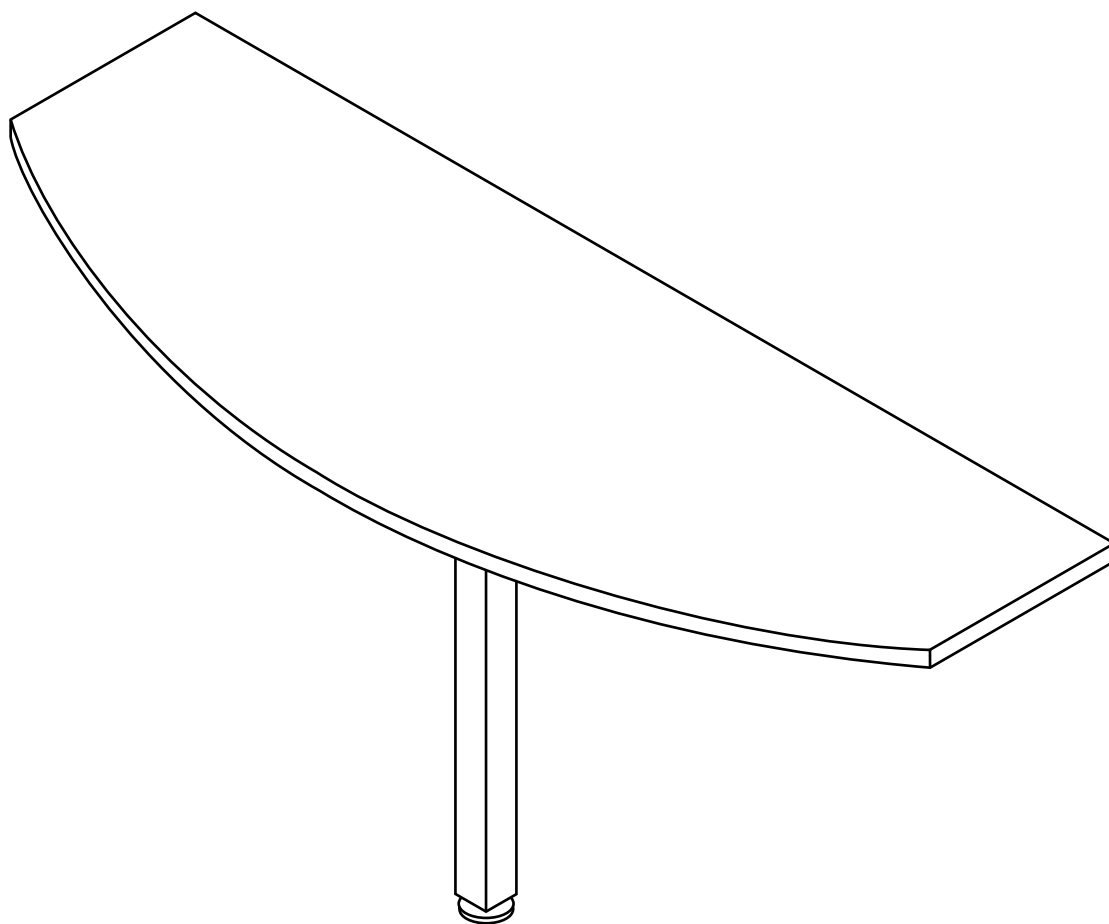
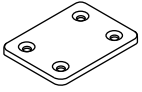


VECTRA

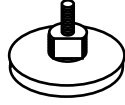
Corner working table 150 cm



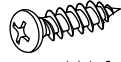
HARDWARE



x 6



x 1



M4x16mm.

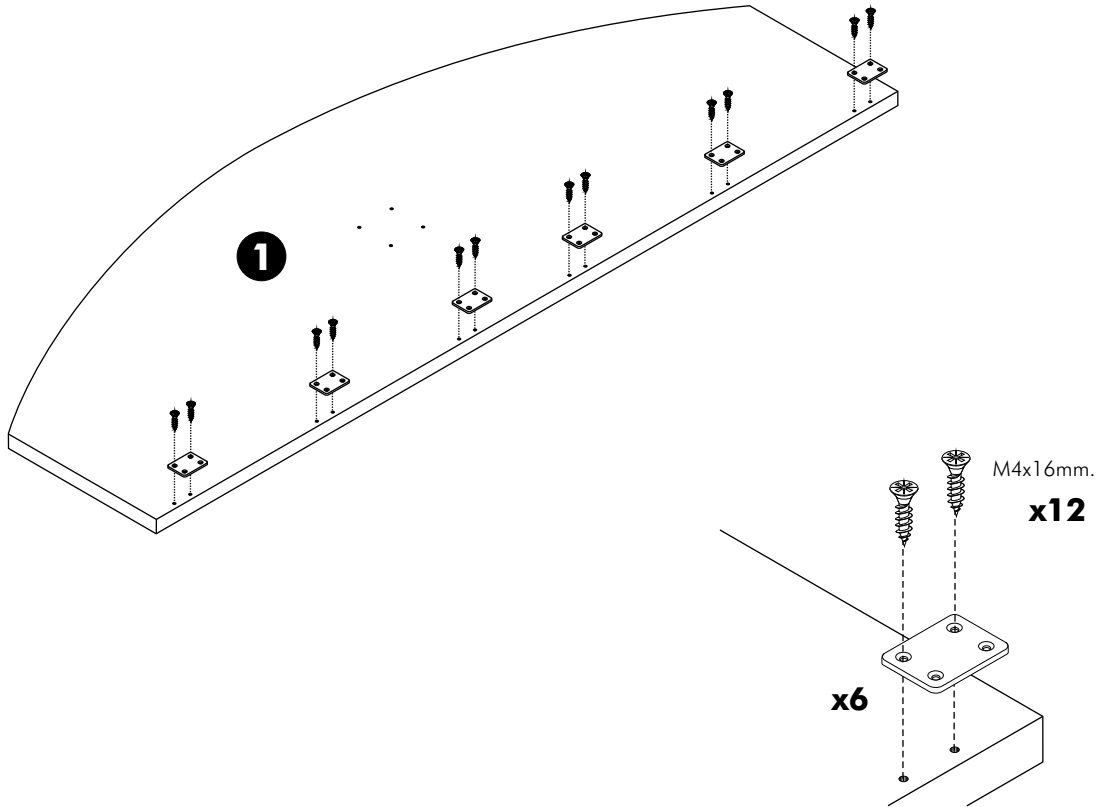
x 4



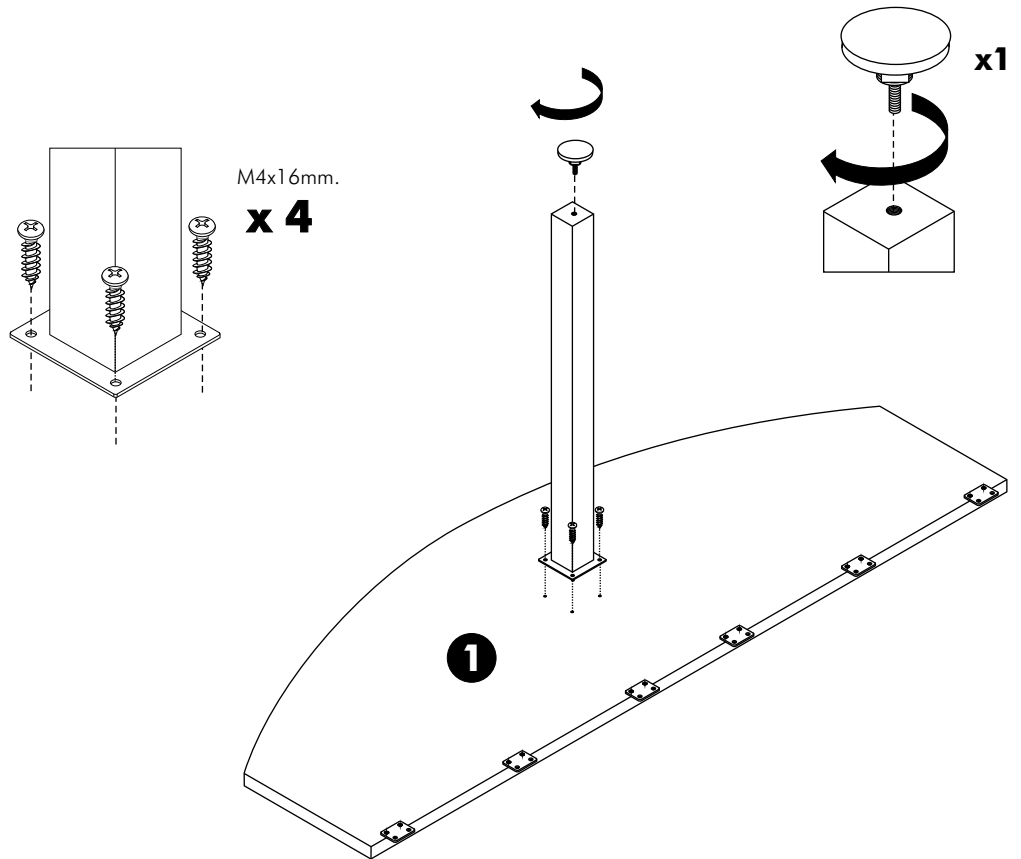
M4x16mm.

x 24

1.



2.



3.

