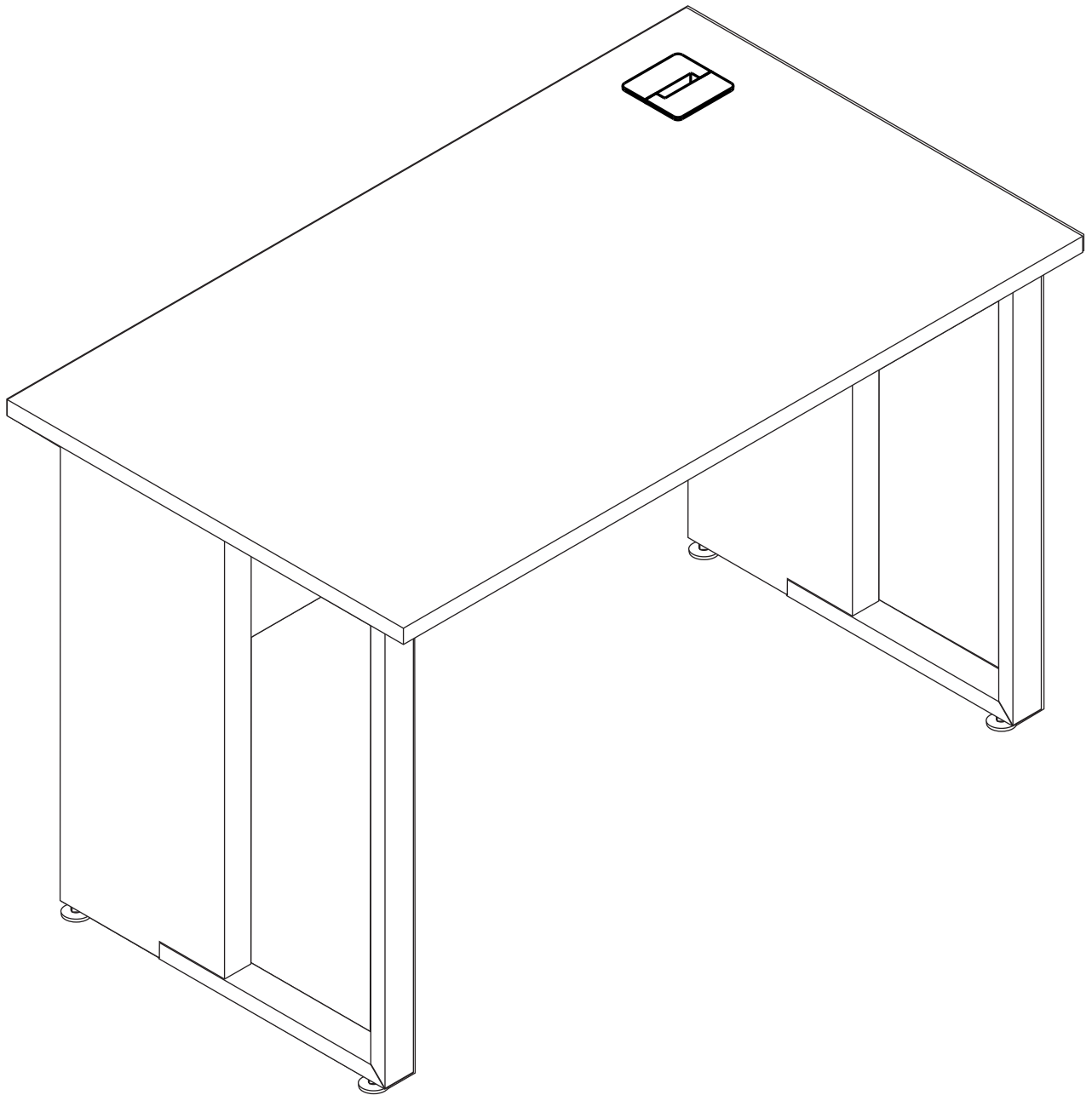
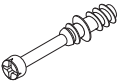


# VECTRA-P

Working table 120 cm.



# HARDWARE

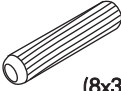


**x 9**



19mm.

**x 9**

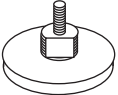


(8x35)

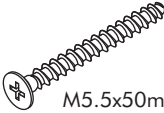
**x 10**



**x 9**



**x 4**



M5.5x50mm.

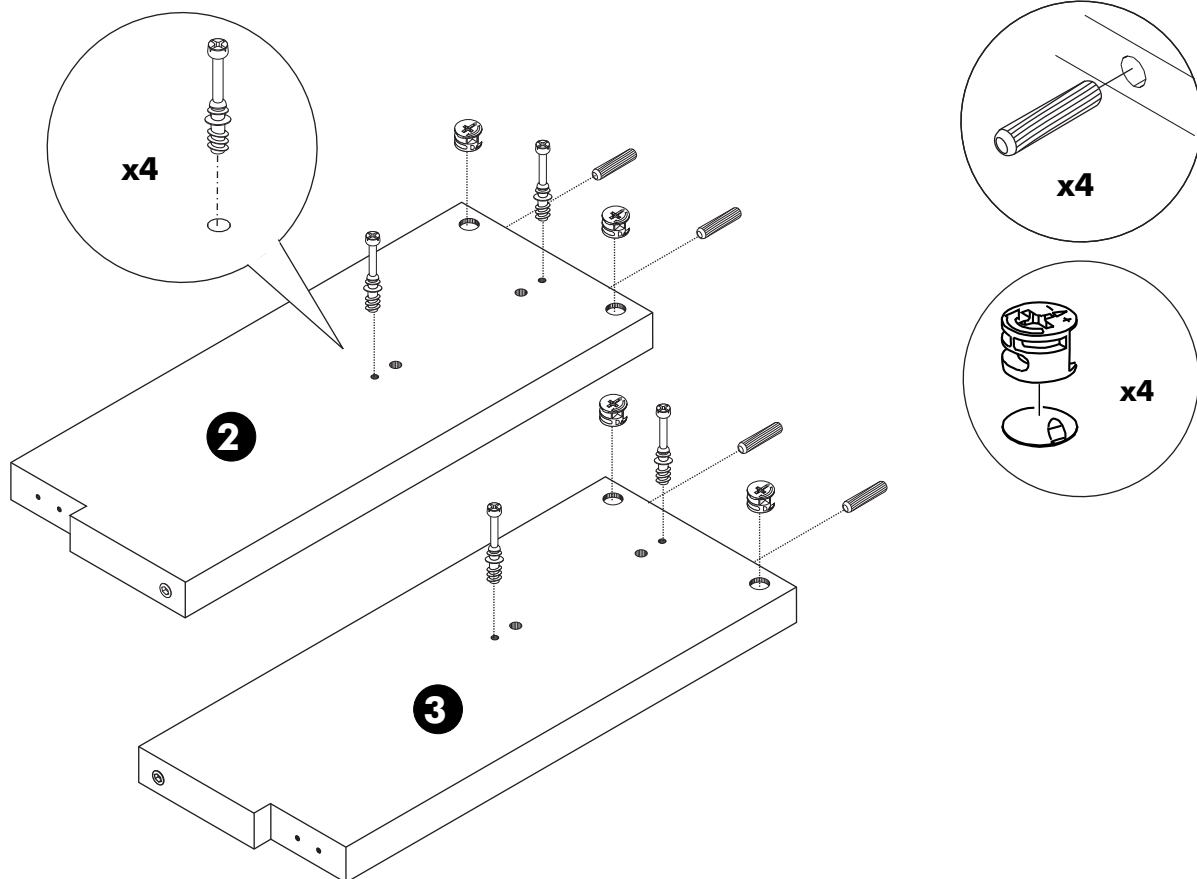
**x 4**



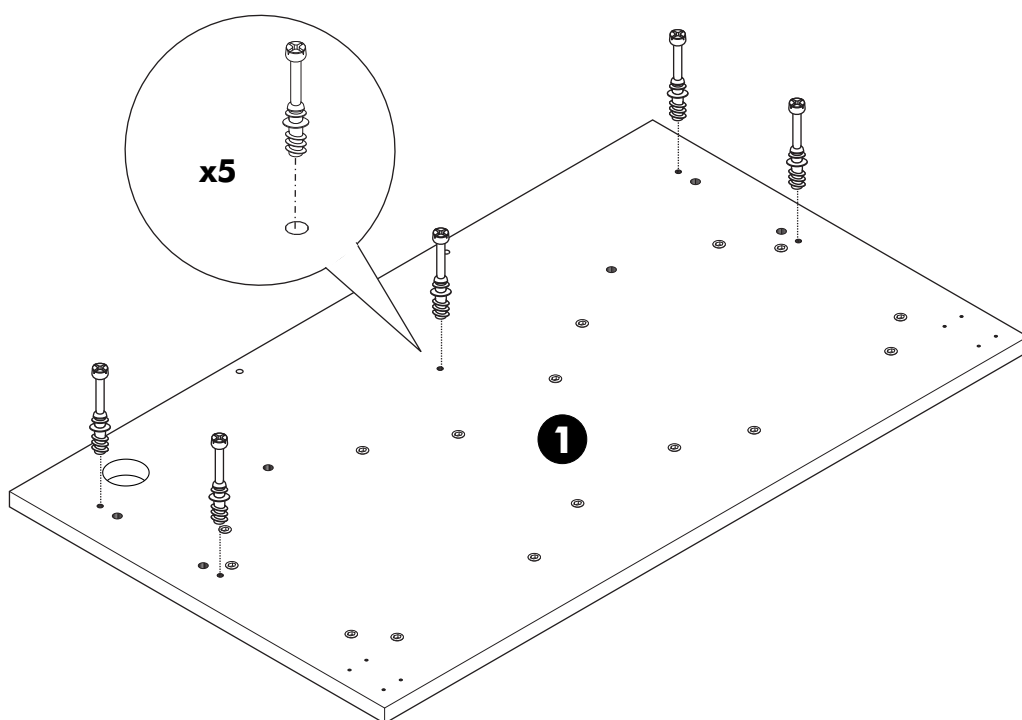
M4x16mm.

**x 8**

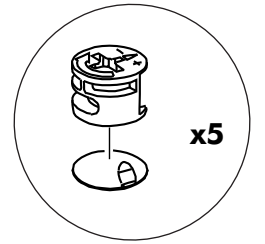
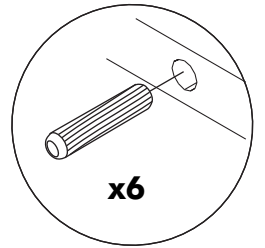
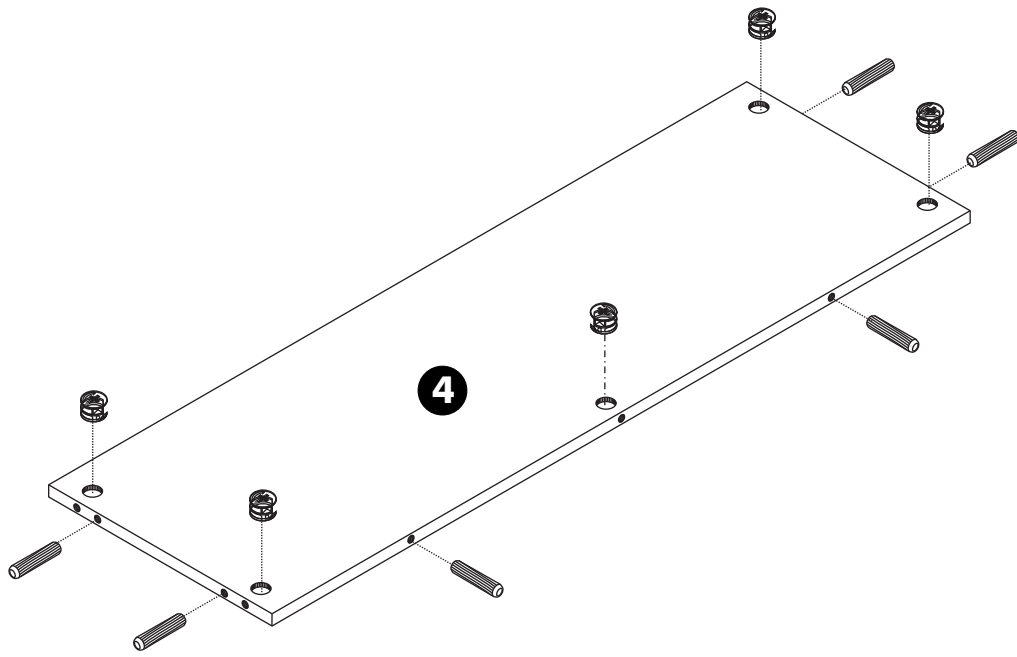
**1.**



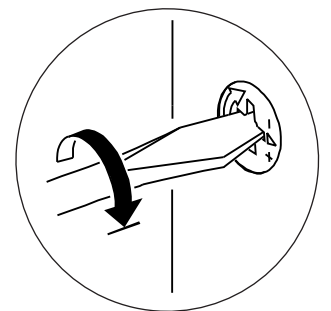
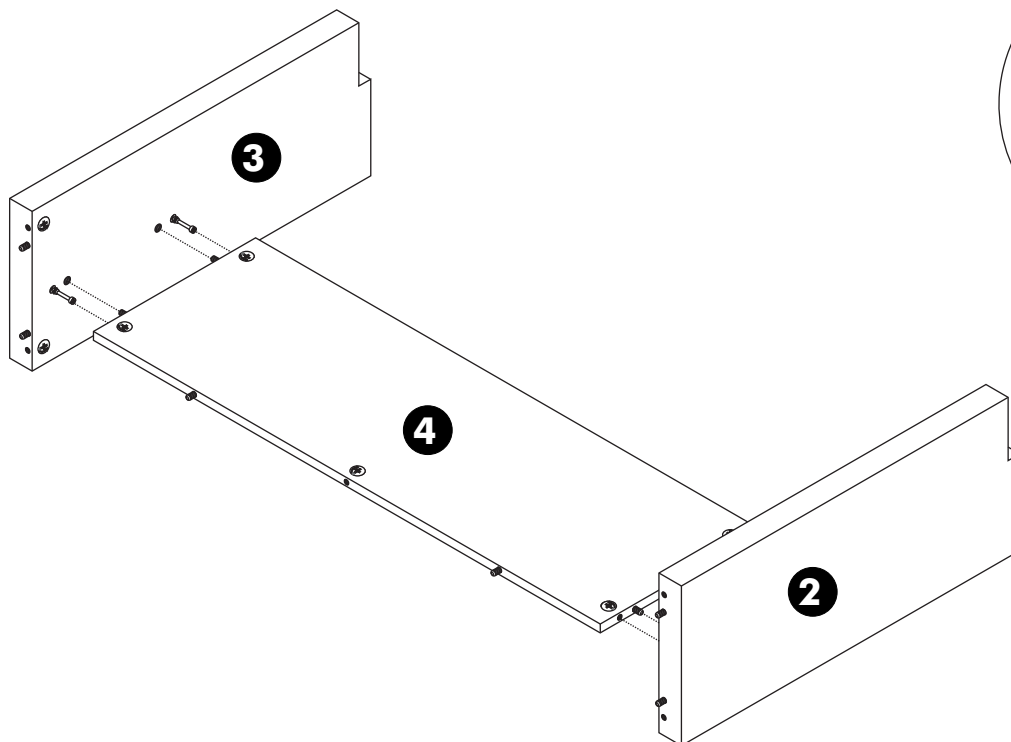
**2.**



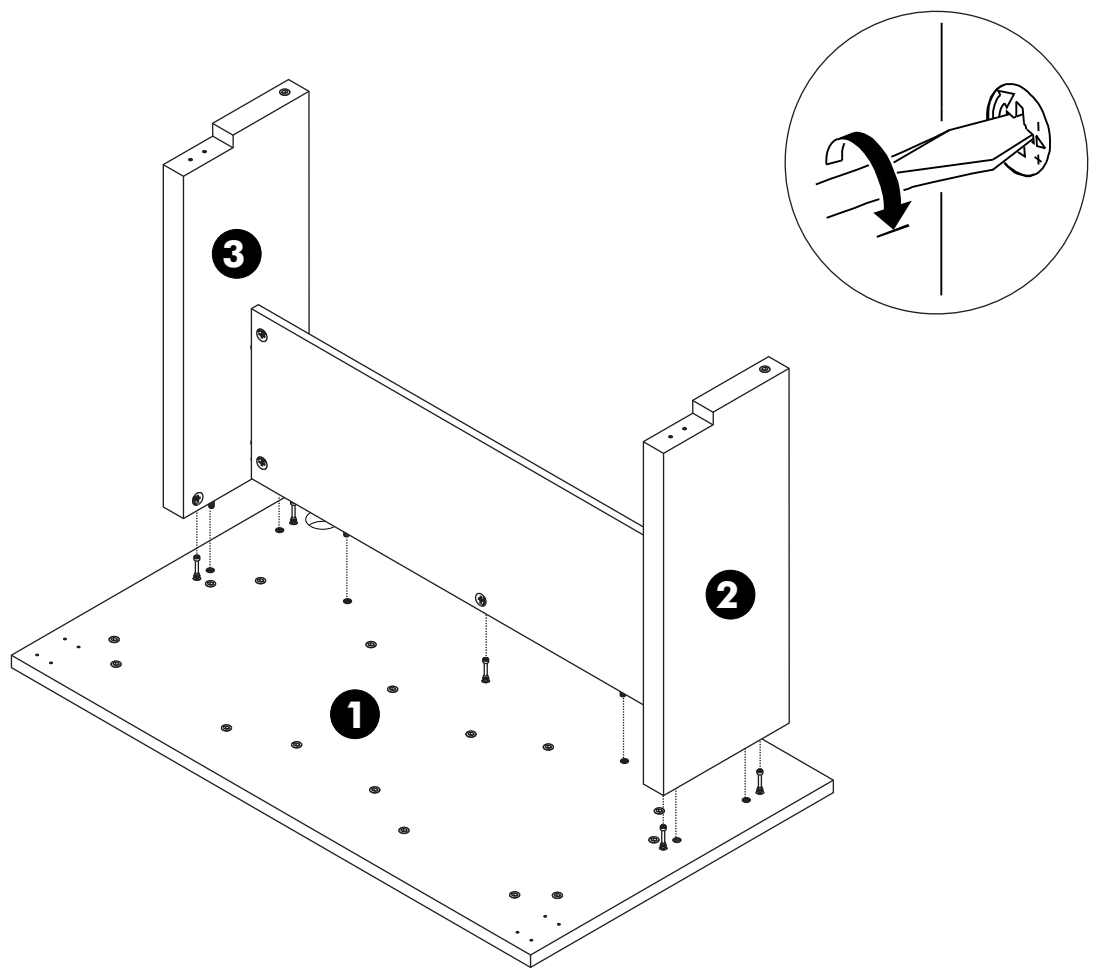
**3.**



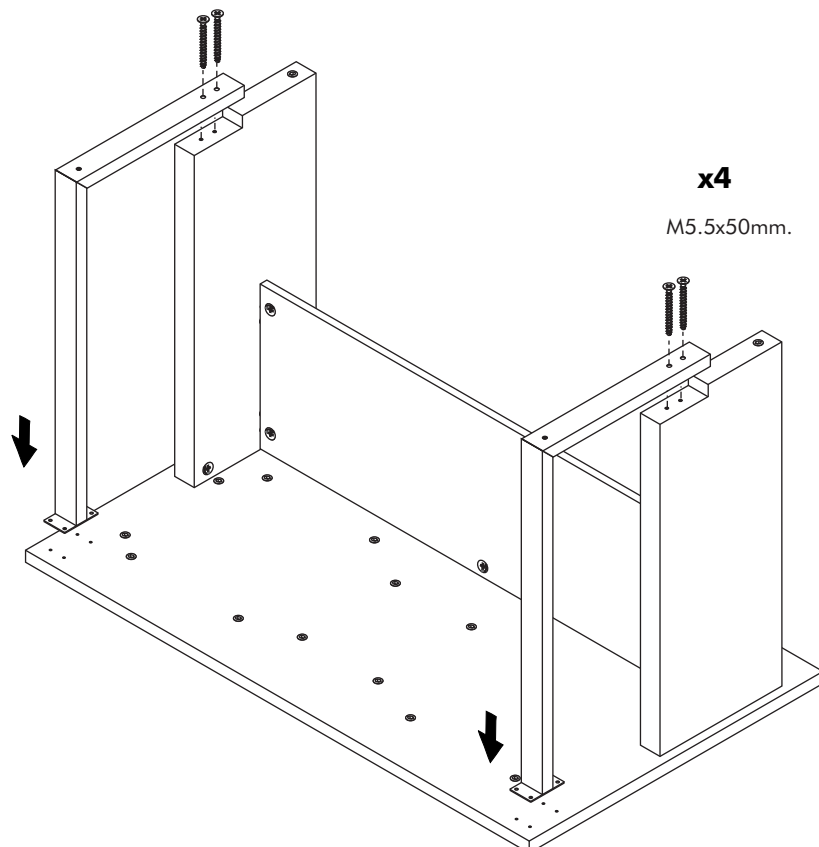
**4.**



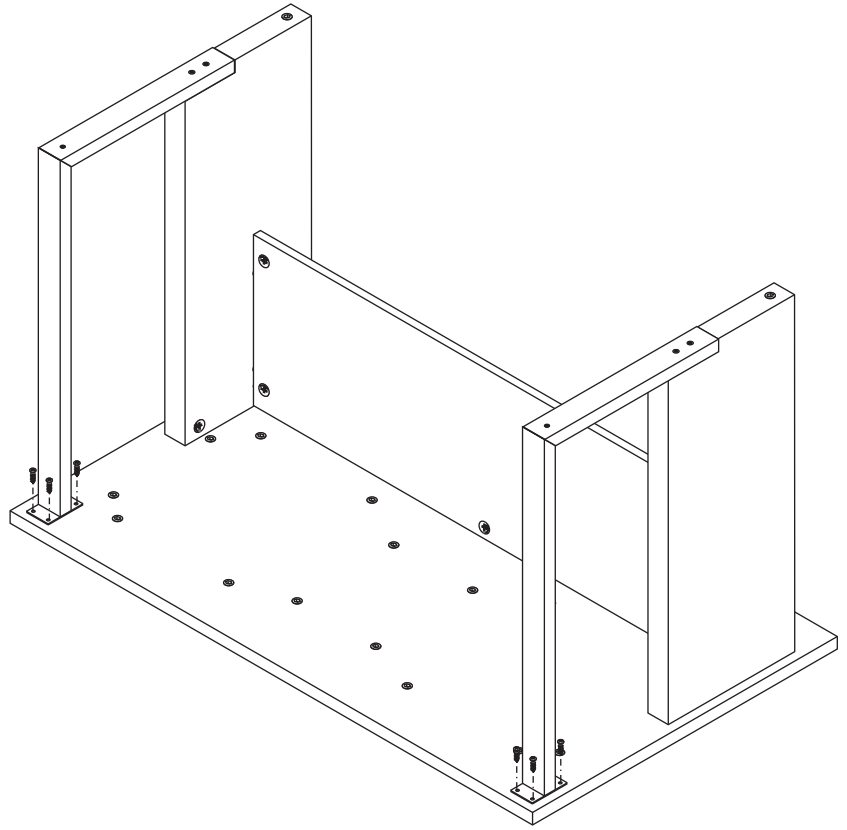
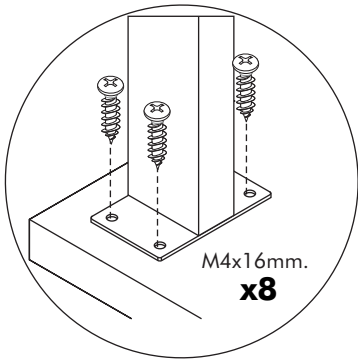
**5.**



**6.**



**7.**



**8.**

