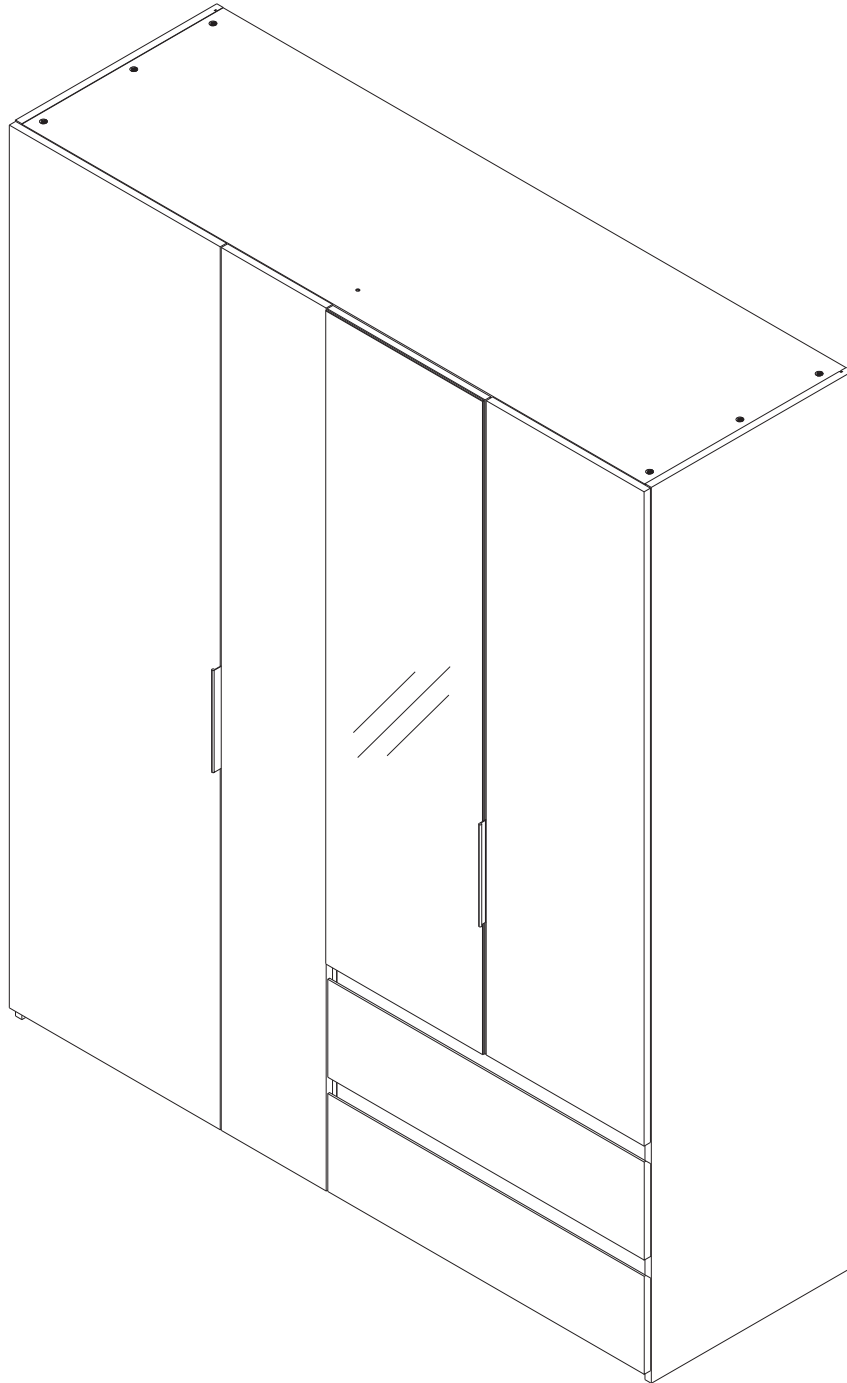


MAZZIMO

Wardrobe 4 door 180Cm.



CONNECT SYSTEM

1

3

2

(Connecting bolts)

WHEN FITTING CAMS
 ENSURE STARTING POSITION IS CORRECT
 BEFORE YOU INSERT CONNECTING BOLT
 TURN CLOCKWISE UNTIL SECURE

✓

↑
CORRECT

✗

WRONG

1 Pc.

EQ EQ

≤ 190mm.

40mm. 40mm.

2 Pcs.

≥ 191-850mm.

100mm. EQ EQ 100mm.

3 Pcs.

> 850-2000mm.

100mm. EQ EQ EQ 100mm.

4 Pcs.

> 2001mm.

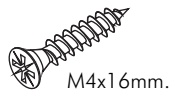
i

40mm.

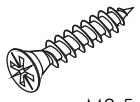
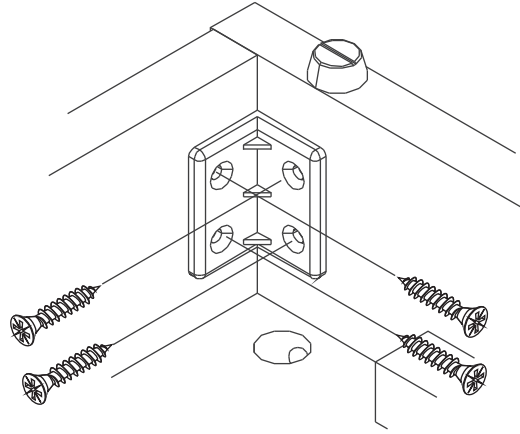
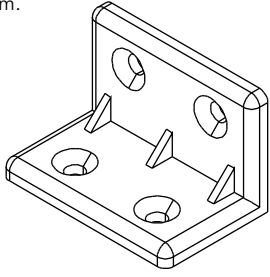
EQ

M4x16mm.

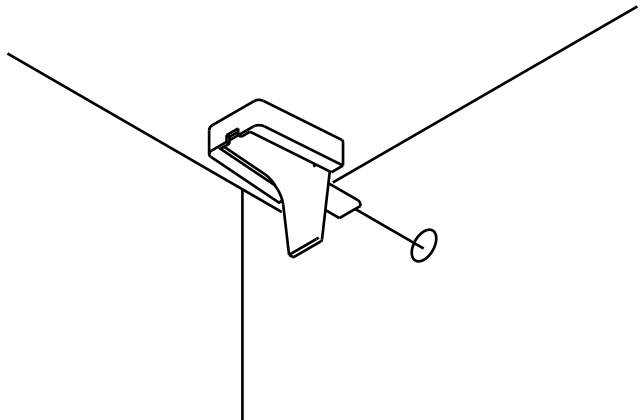
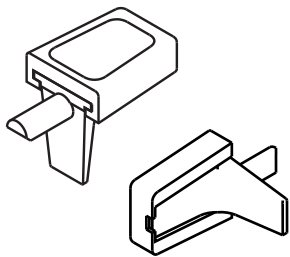
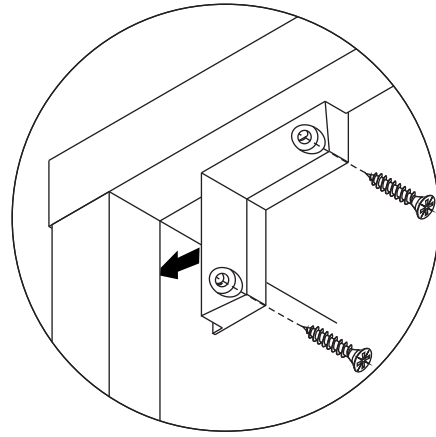
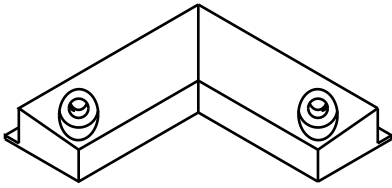
DOOR PANEL



M4x16mm.



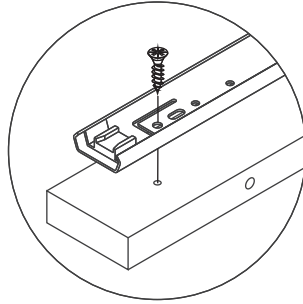
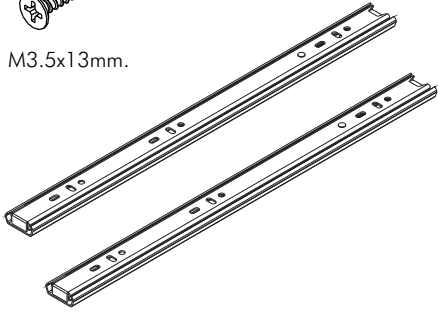
M3.5x20mm.



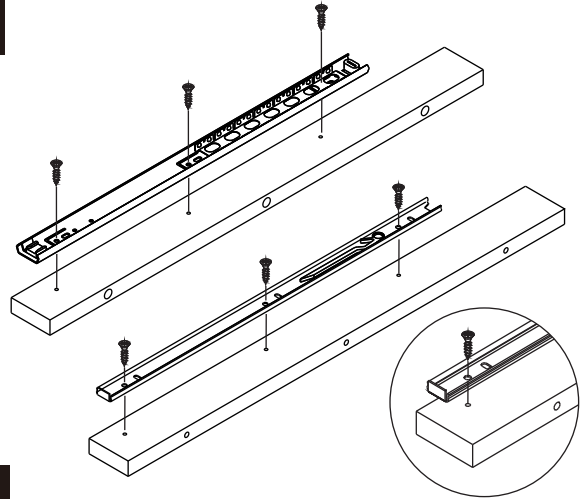
14" 20"



M3.5x13mm.

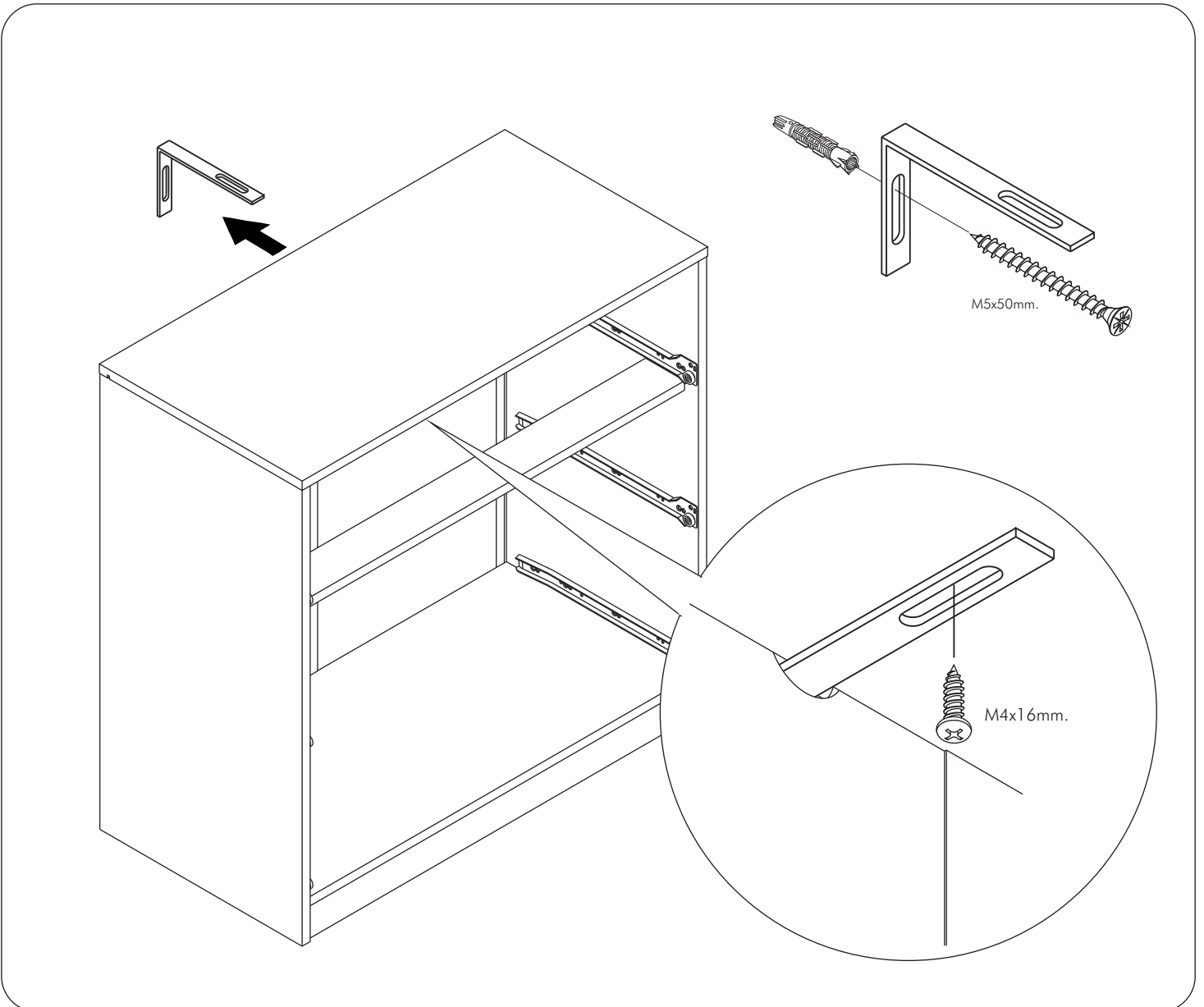
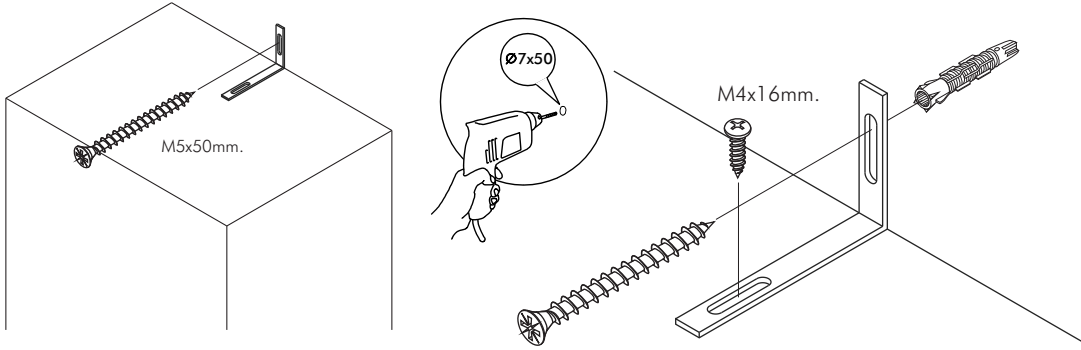
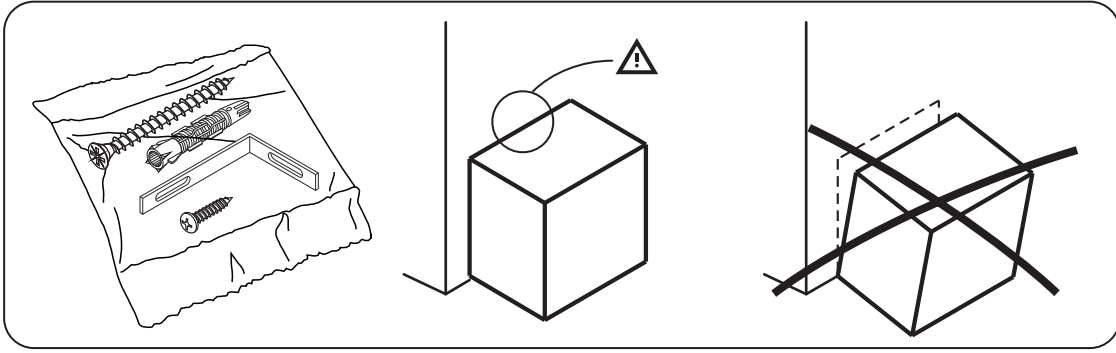


1



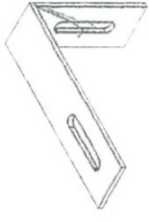
2

x2

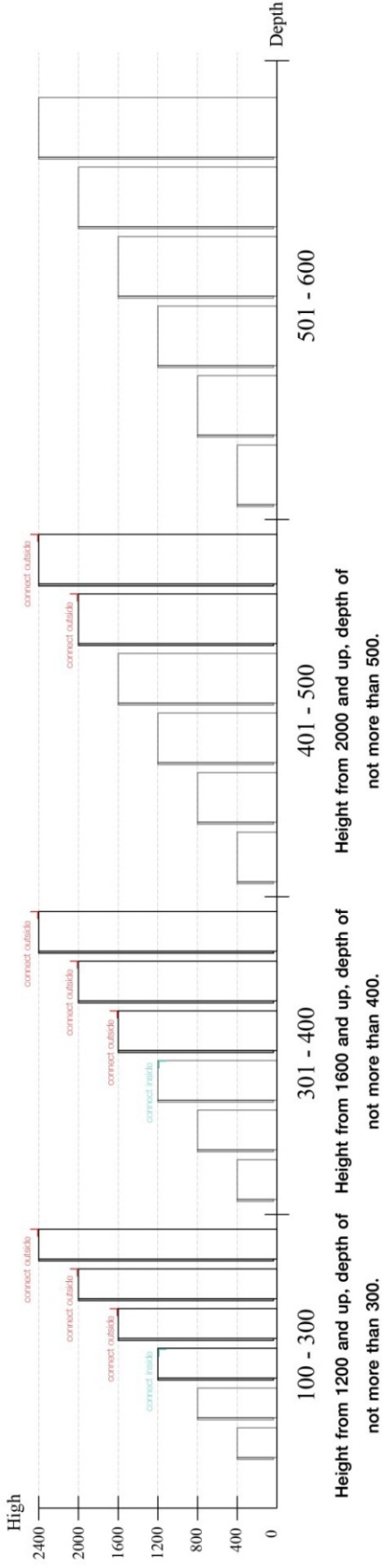


The Standard for identifying which mounted safety fall protection fitting to use **Note : That children's products must be installed with all anti-falling fittings.**

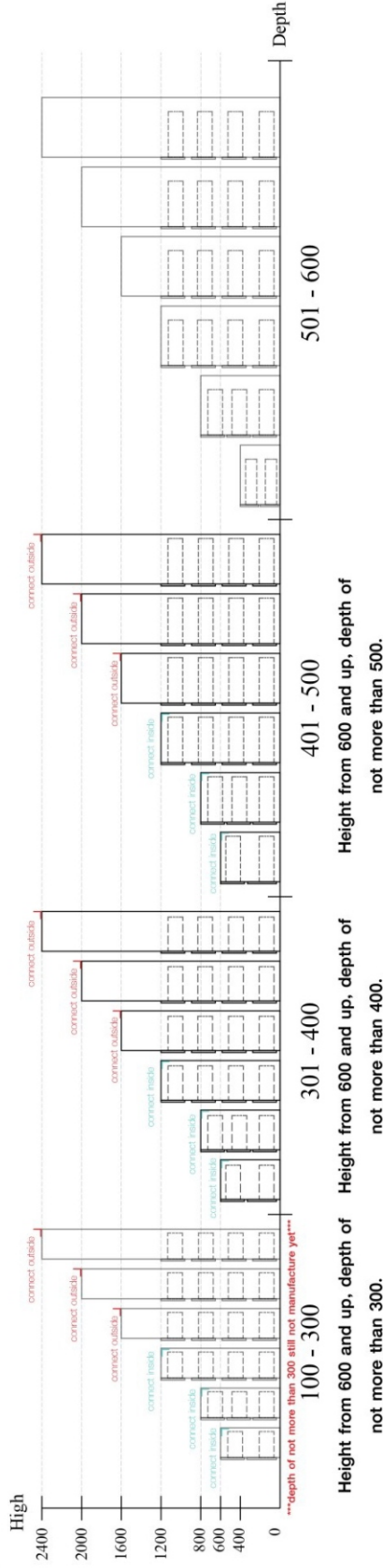
■ Mounted fall protection fittings



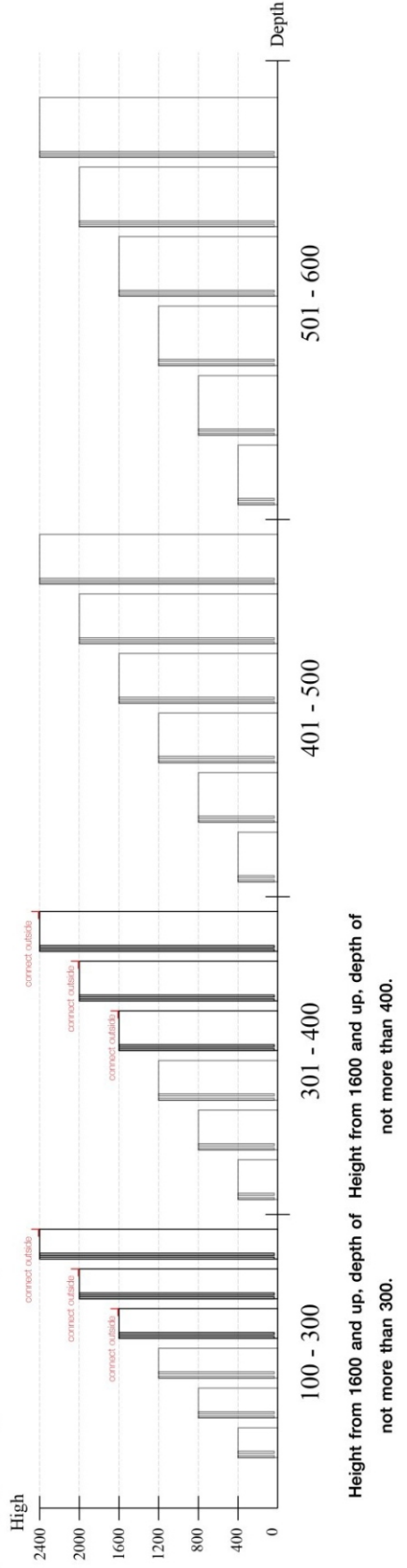
■ Category : Cabinet with open doors

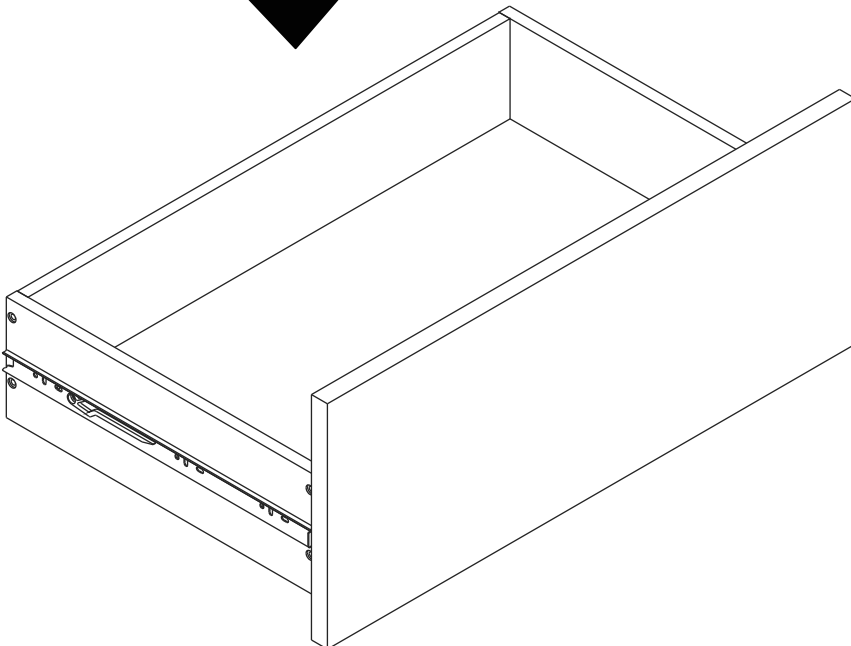
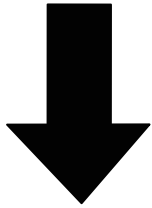
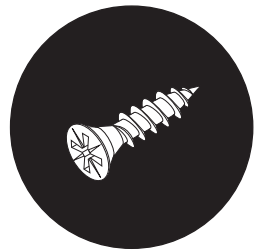
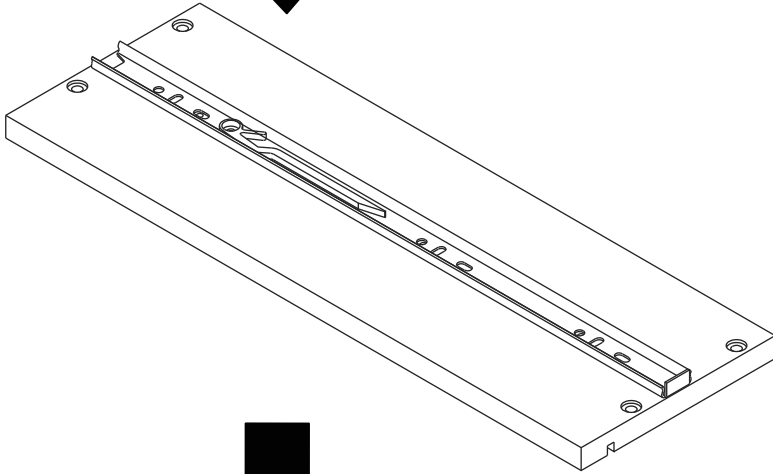
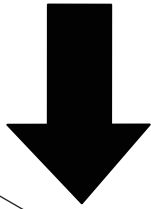
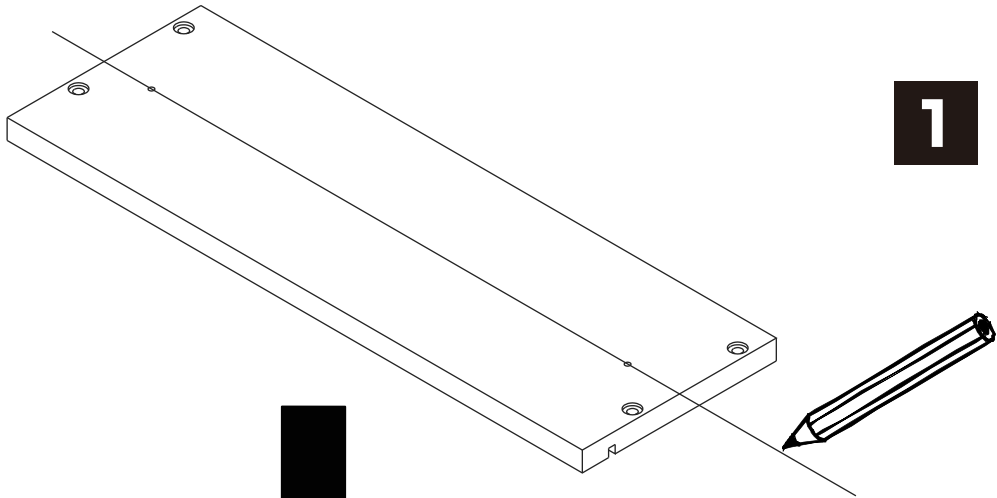


■ Category : Chest of drawers



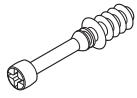
■ Category : Sliding door cabinet / Open cabinet





HARDWARE

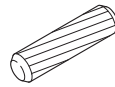
-BODY SET



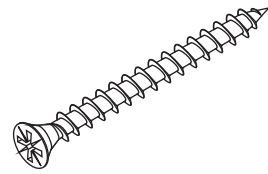
x 36



x 36

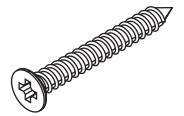


x 52



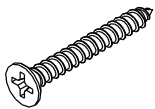
M4x50mm.

x 6



M4x40mm.

x 1

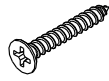


M4x35mm.

x 4



x 7



M4x25mm.

x 21



Ø 20mm. (5x23)

x 2



x 4



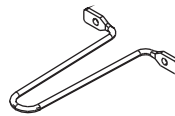
M3.5x13mm.

x 8



M4x16mm.

x 53



x 1

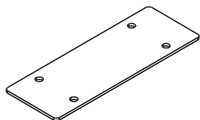


x 4

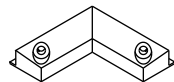


Ø 5x18 mm.

x 6



x 2

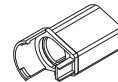


x 2

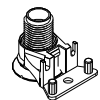


M3.5x20mm.

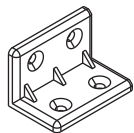
x 4



x 6



x 6

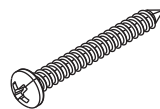


x 8



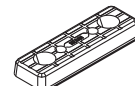
M4x16mm.

x 58

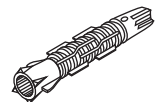


M4x30mm.

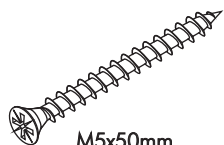
x 9



x 10

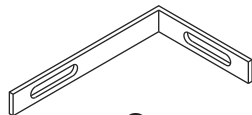


x 2



M5x50mm.

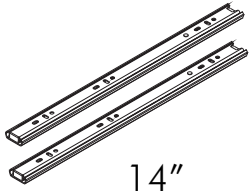
x 2



x 2

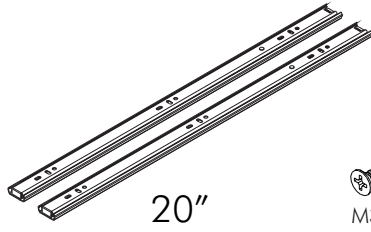
HARDWARE

-DRAWER SET



14"

x 1



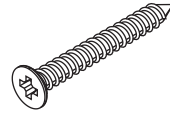
20"

x 2



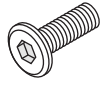
M3.5x13mm.

x 36



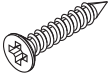
M4x40mm.

x 34



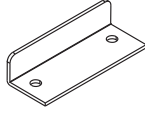
TFL4 M6x23

x 16

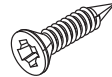


M3.5x20mm.

x 4

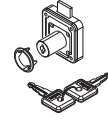


x 1



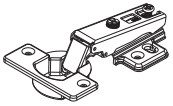
M4x1/2"

x 2



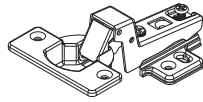
x 1

-DOOR SET



(FULL OVERLAY)

x 8



(HALF OVERLAY)

x 8



M4x16mm.

x 96



x 8

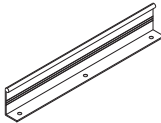


M3.5x16mm.(BLACK)

x 6



x 1

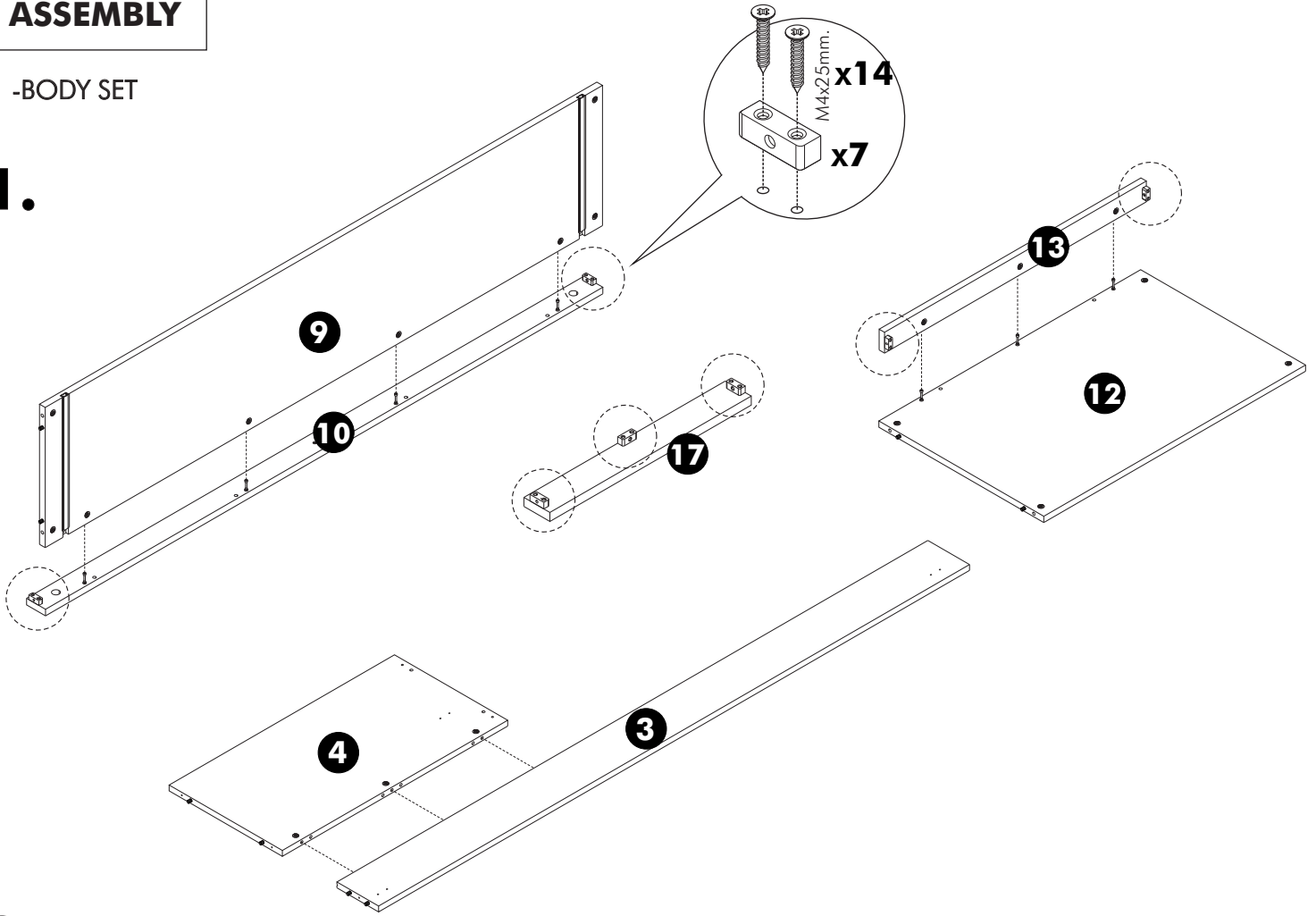


x 2

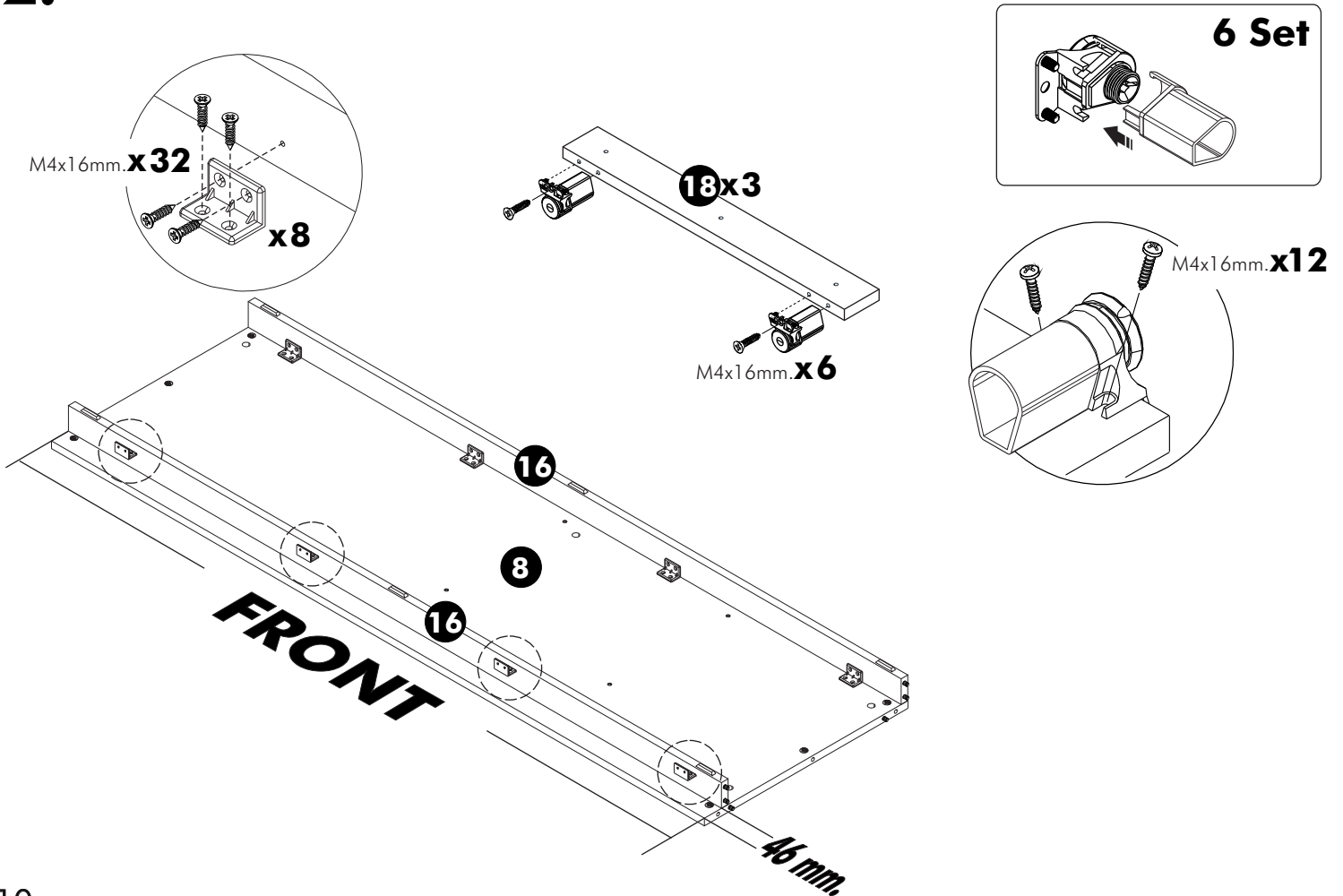
ASSEMBLY

-BODY SET

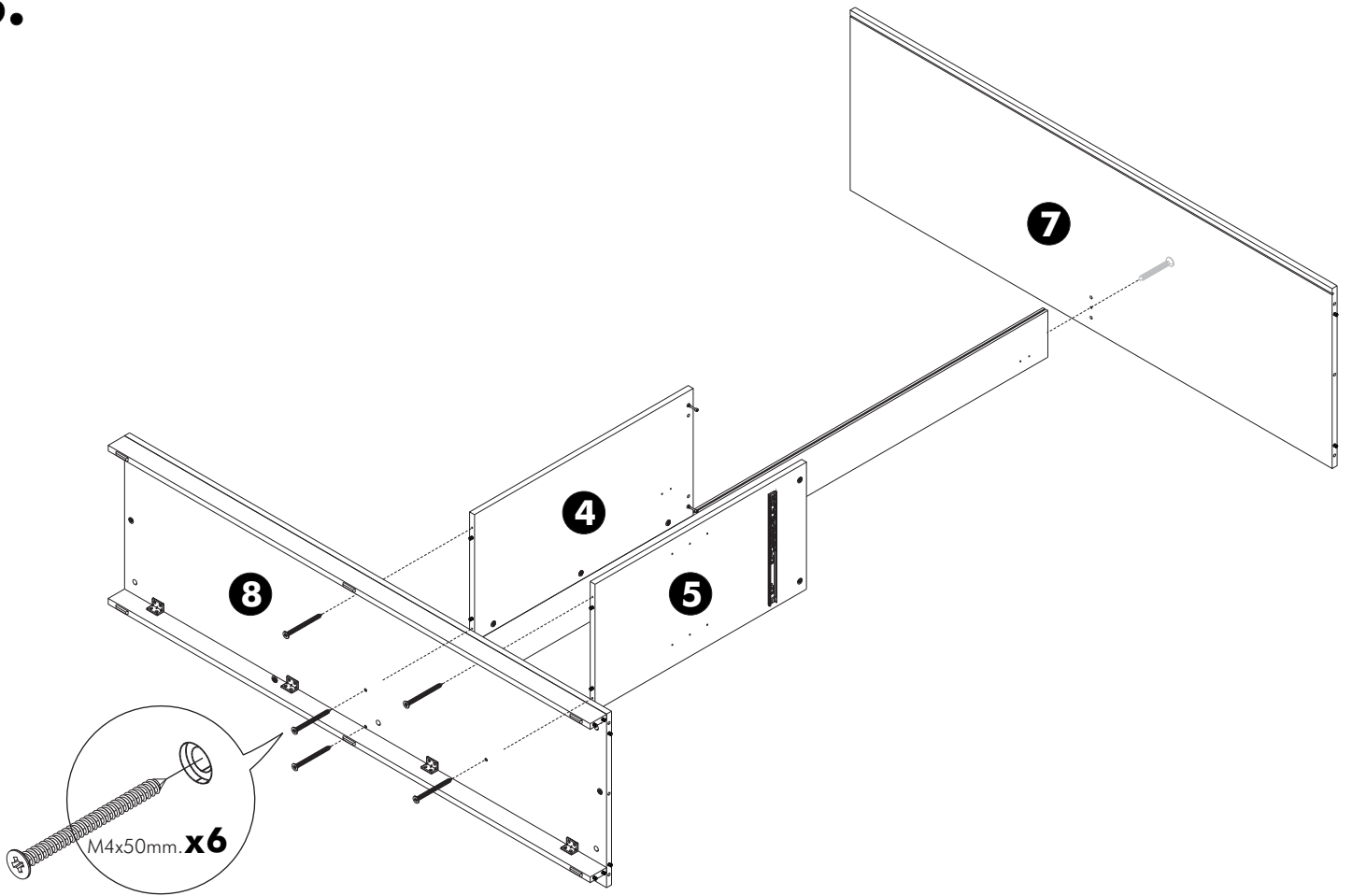
1.



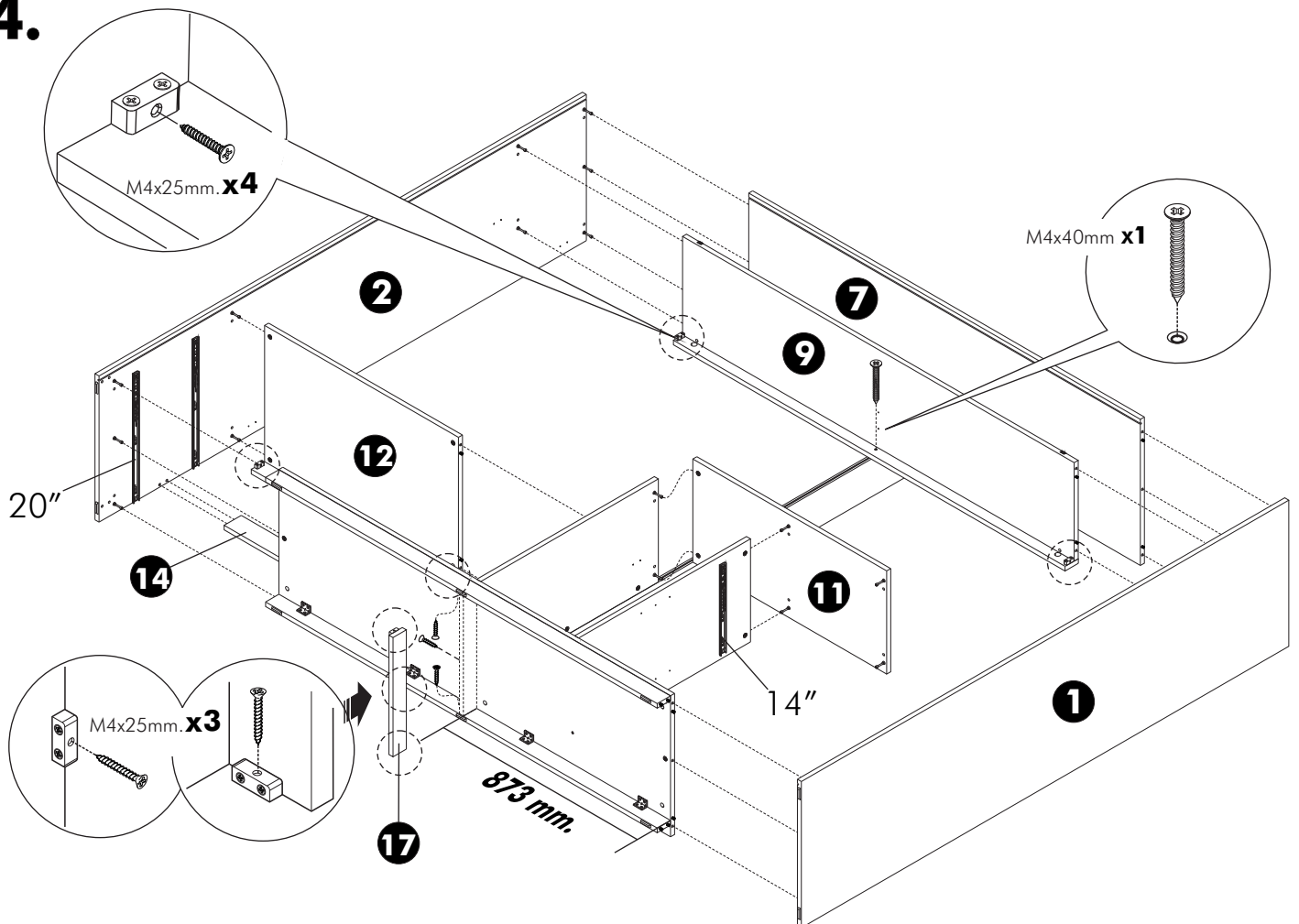
2.

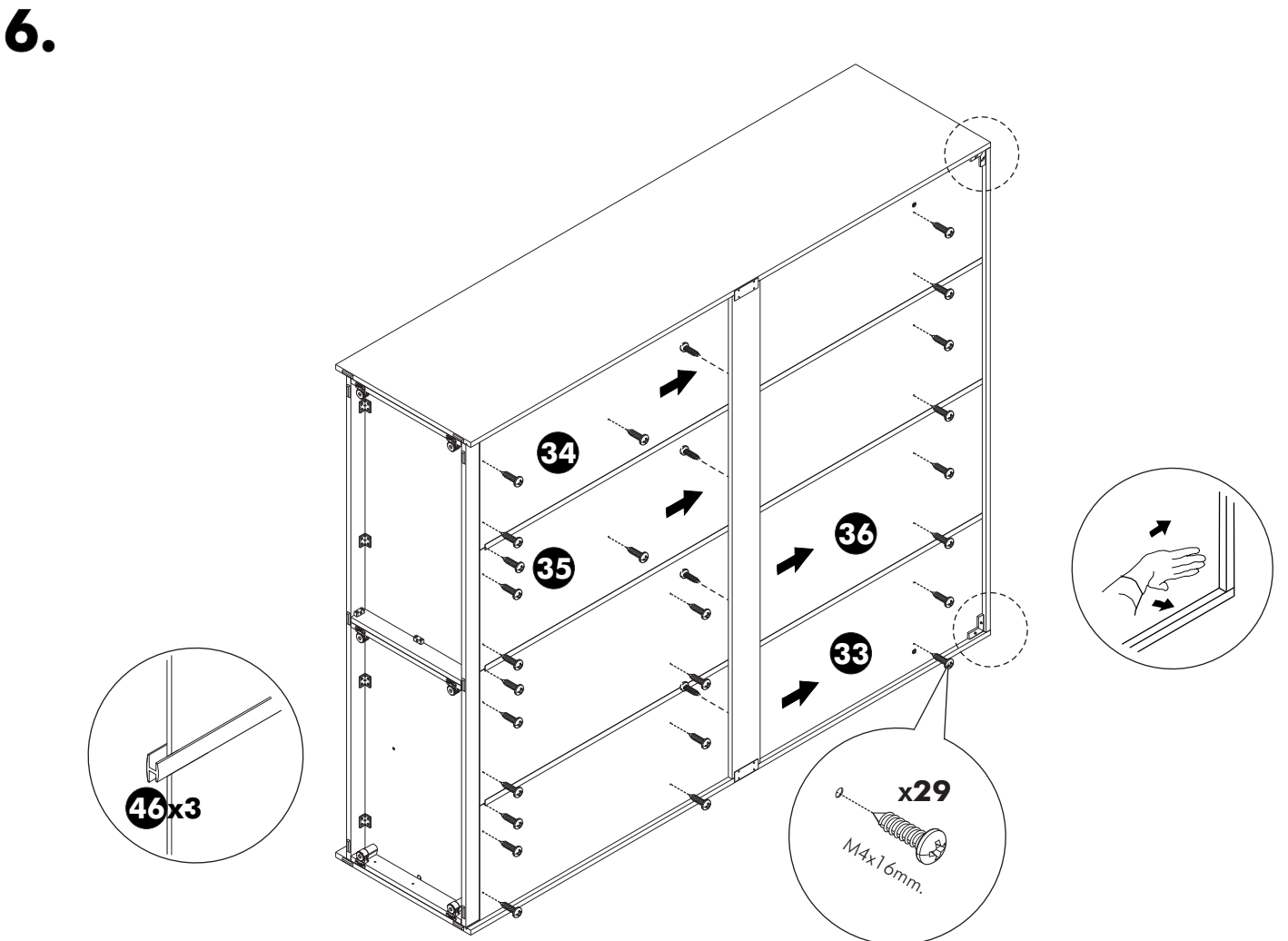
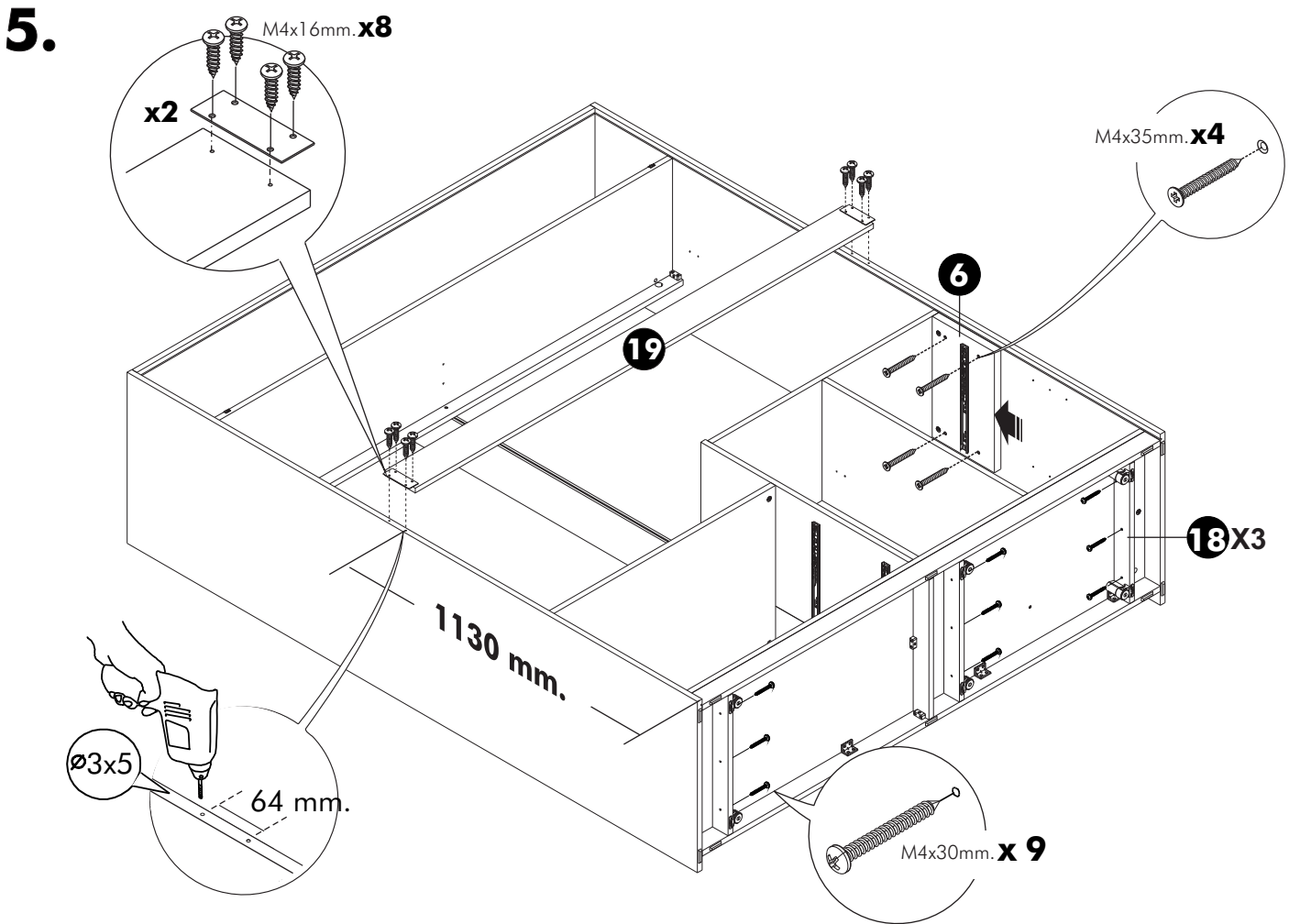


3.

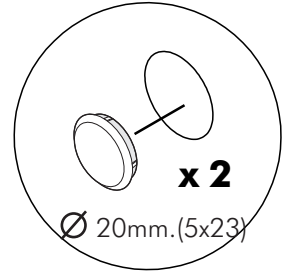
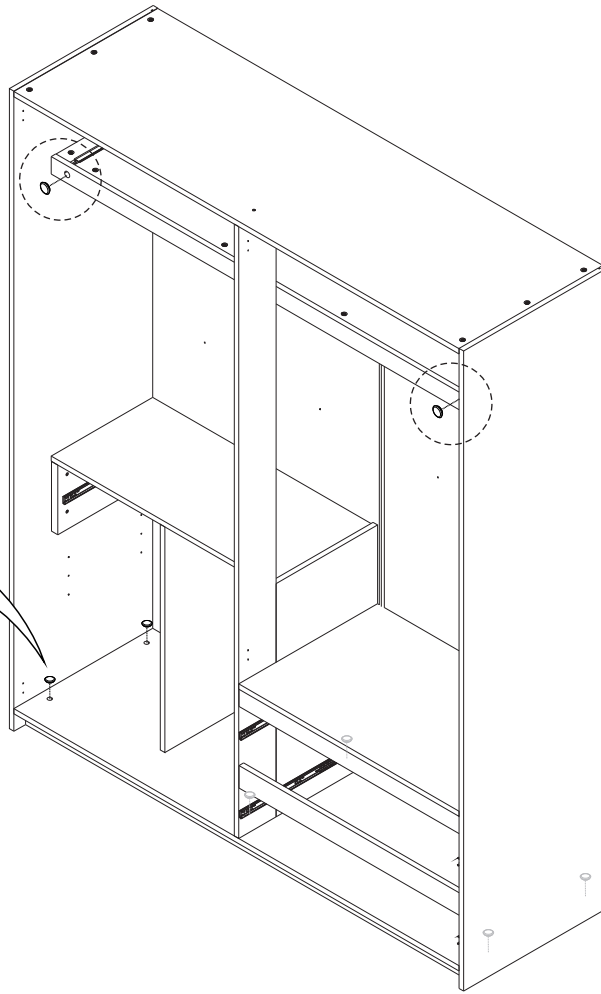
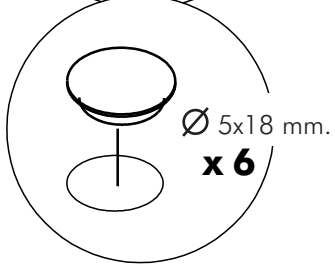
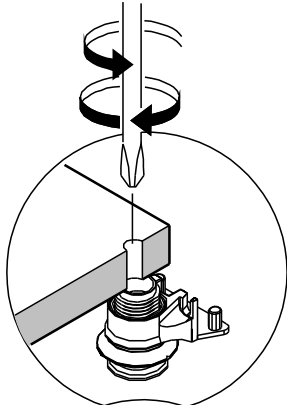
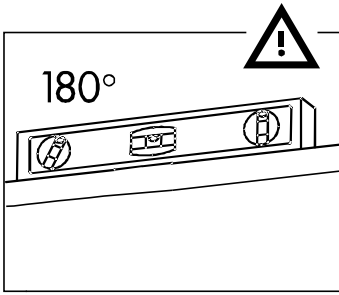


4.

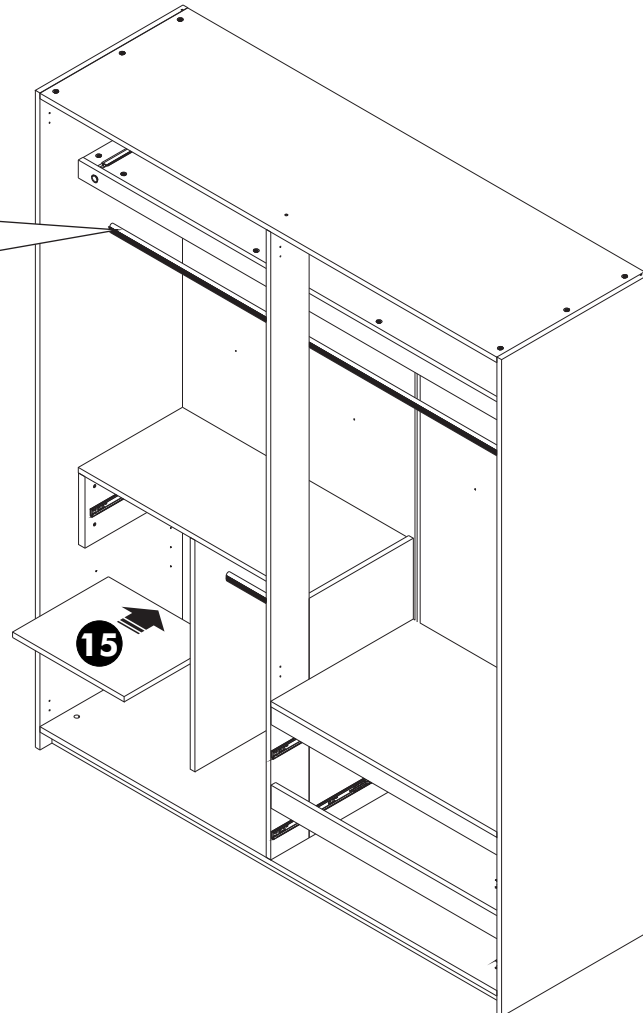
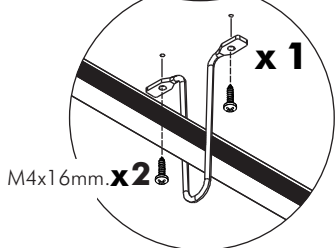
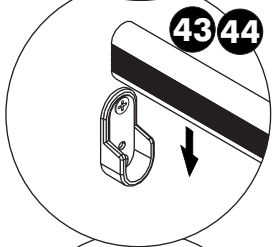
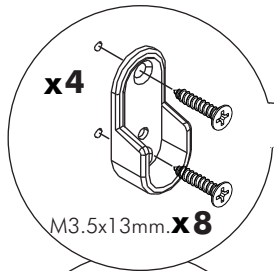




7.

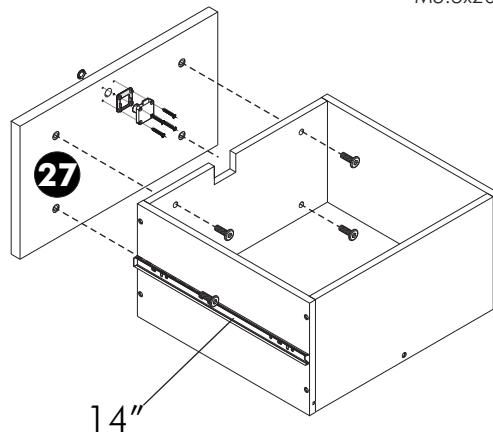
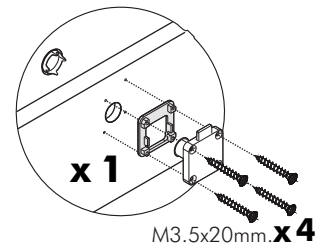
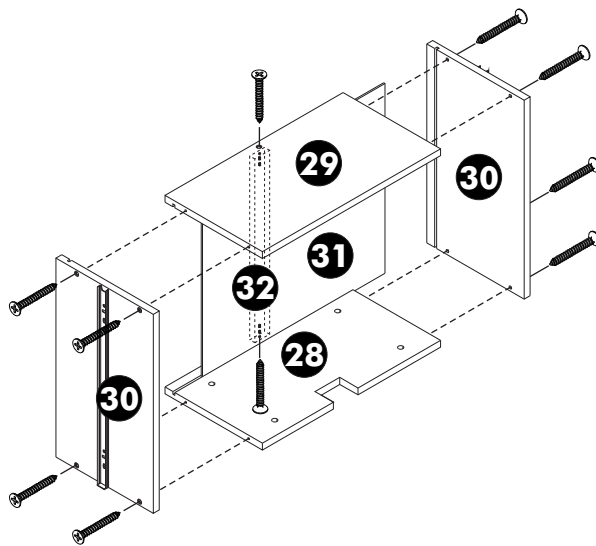
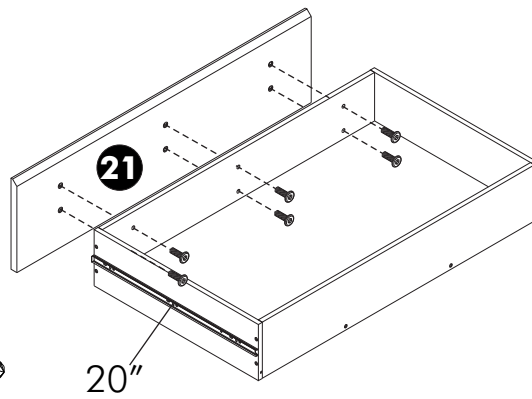
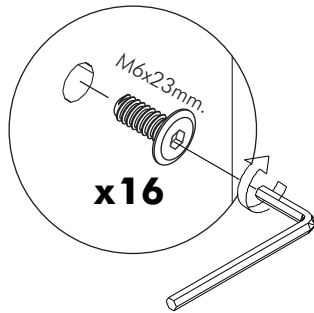
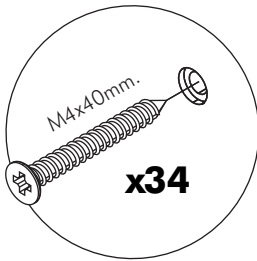
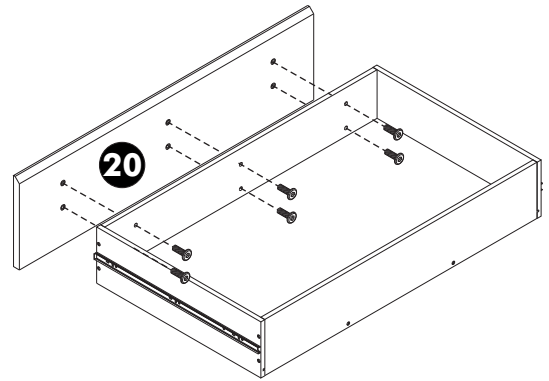
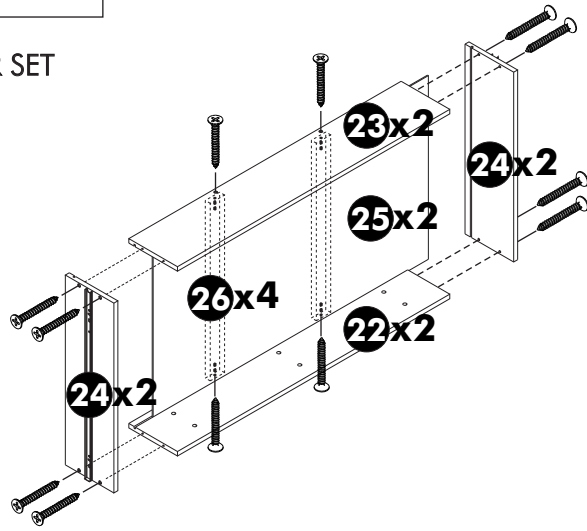


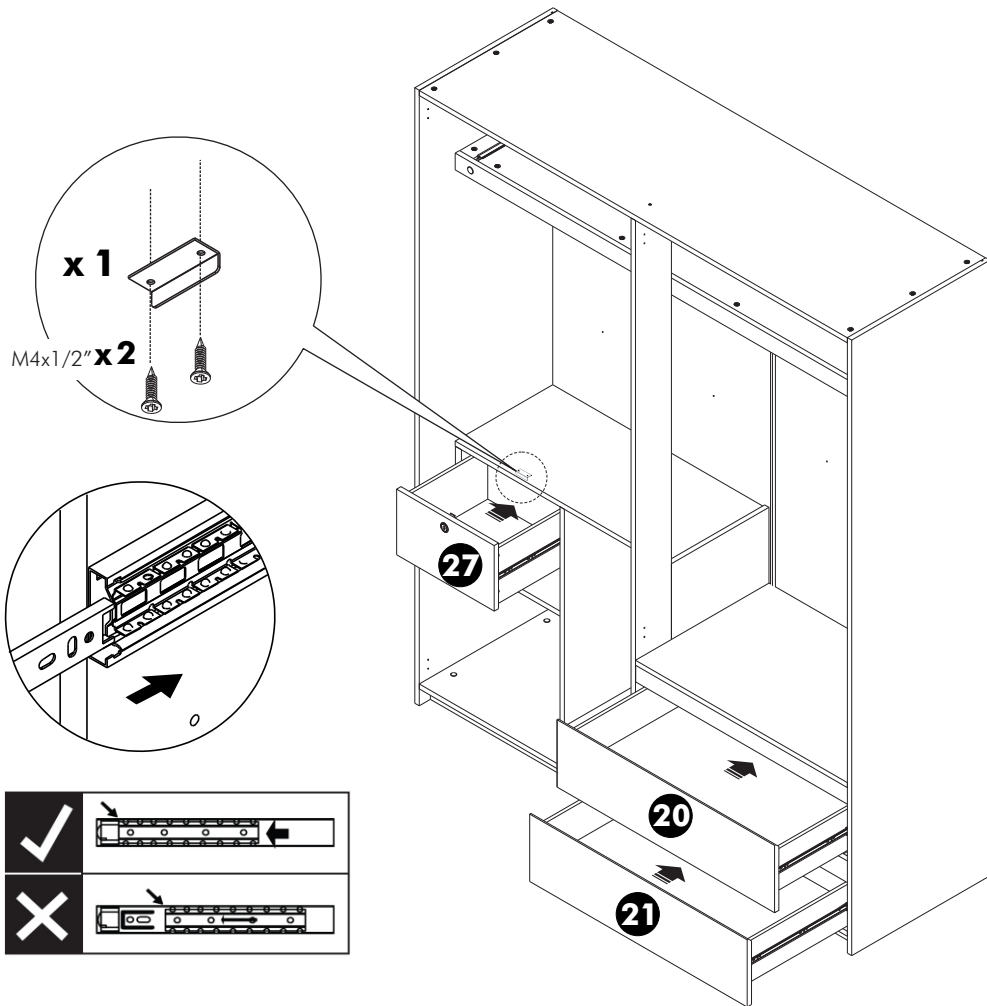
8.



ASSEMBLY

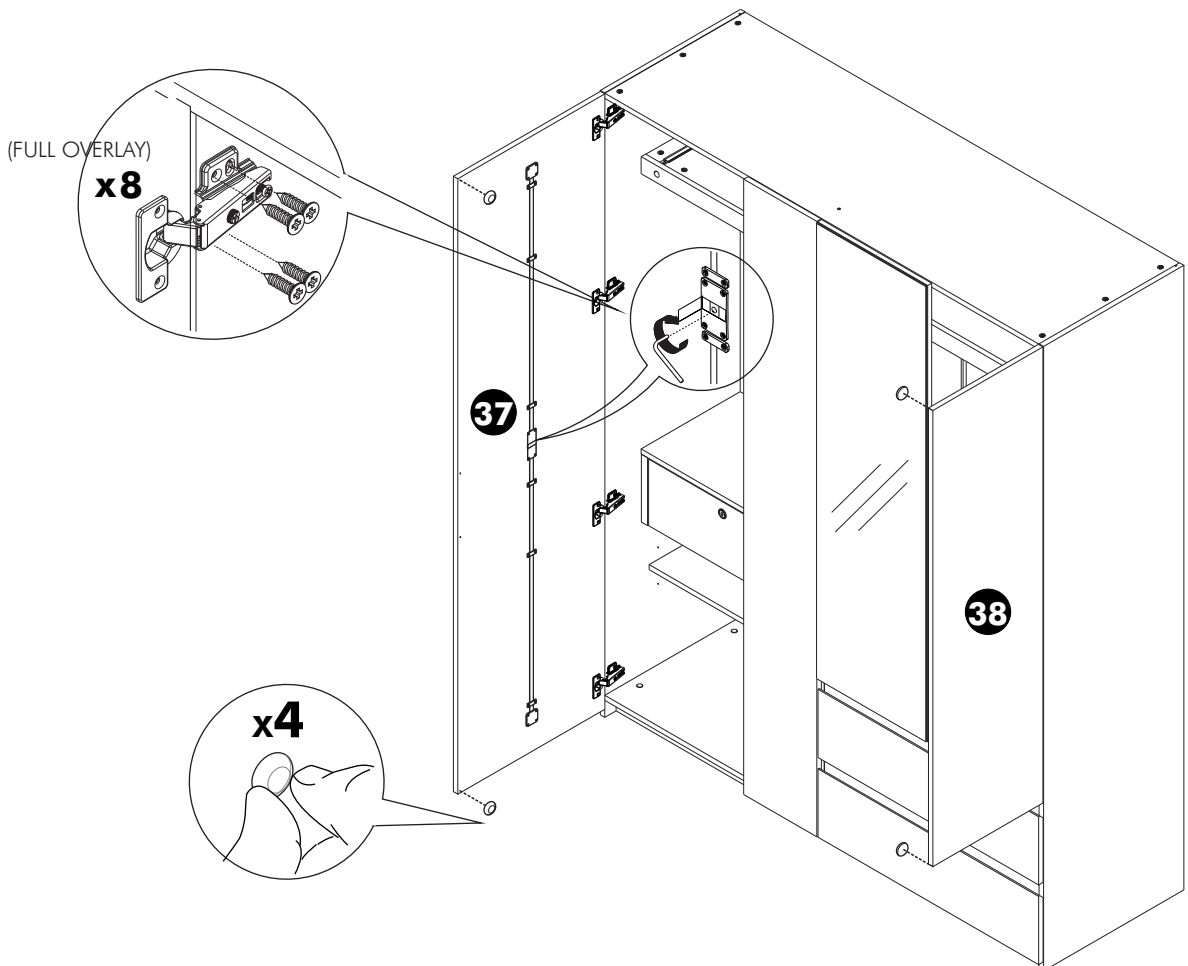
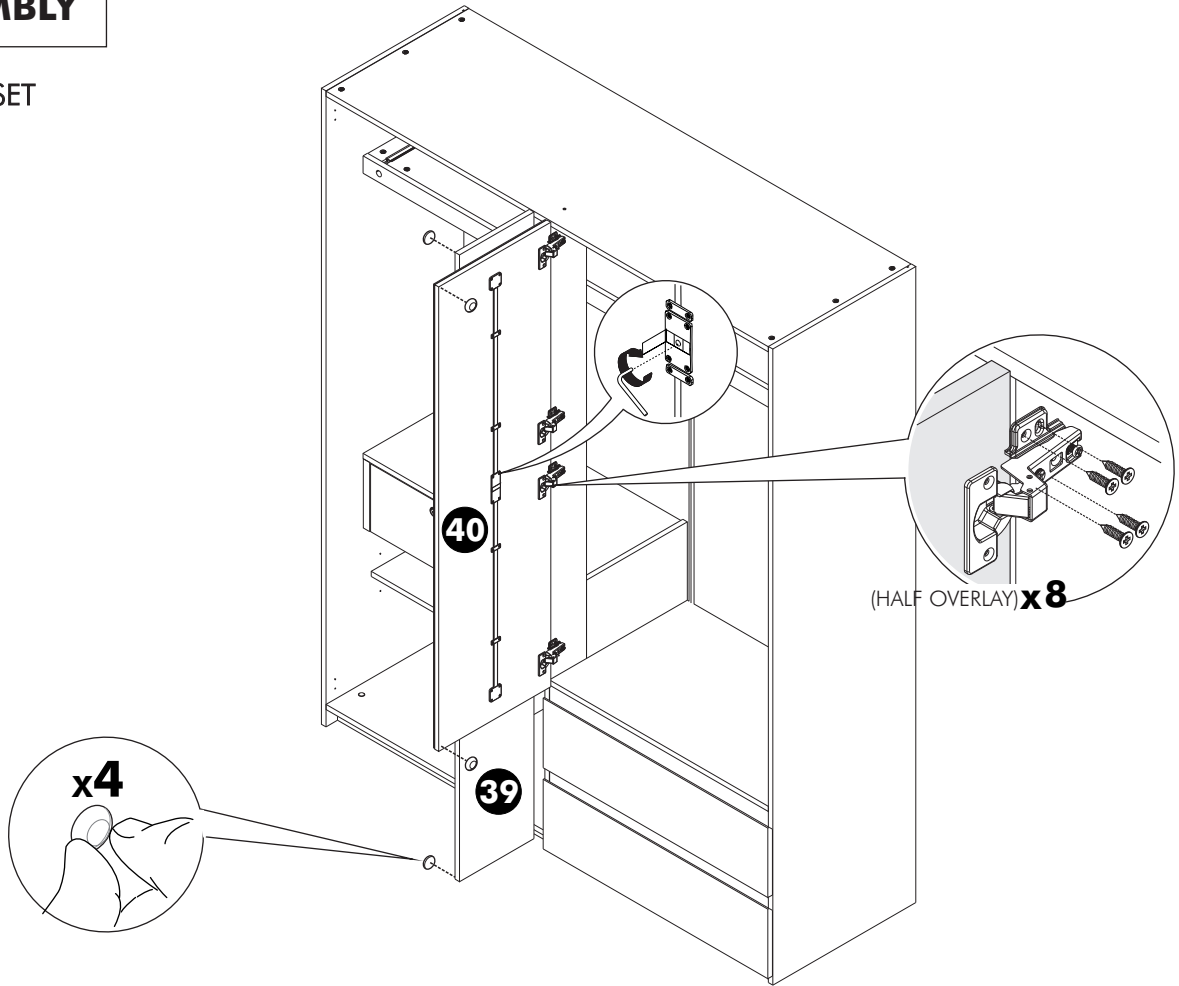
-DRAWER SET

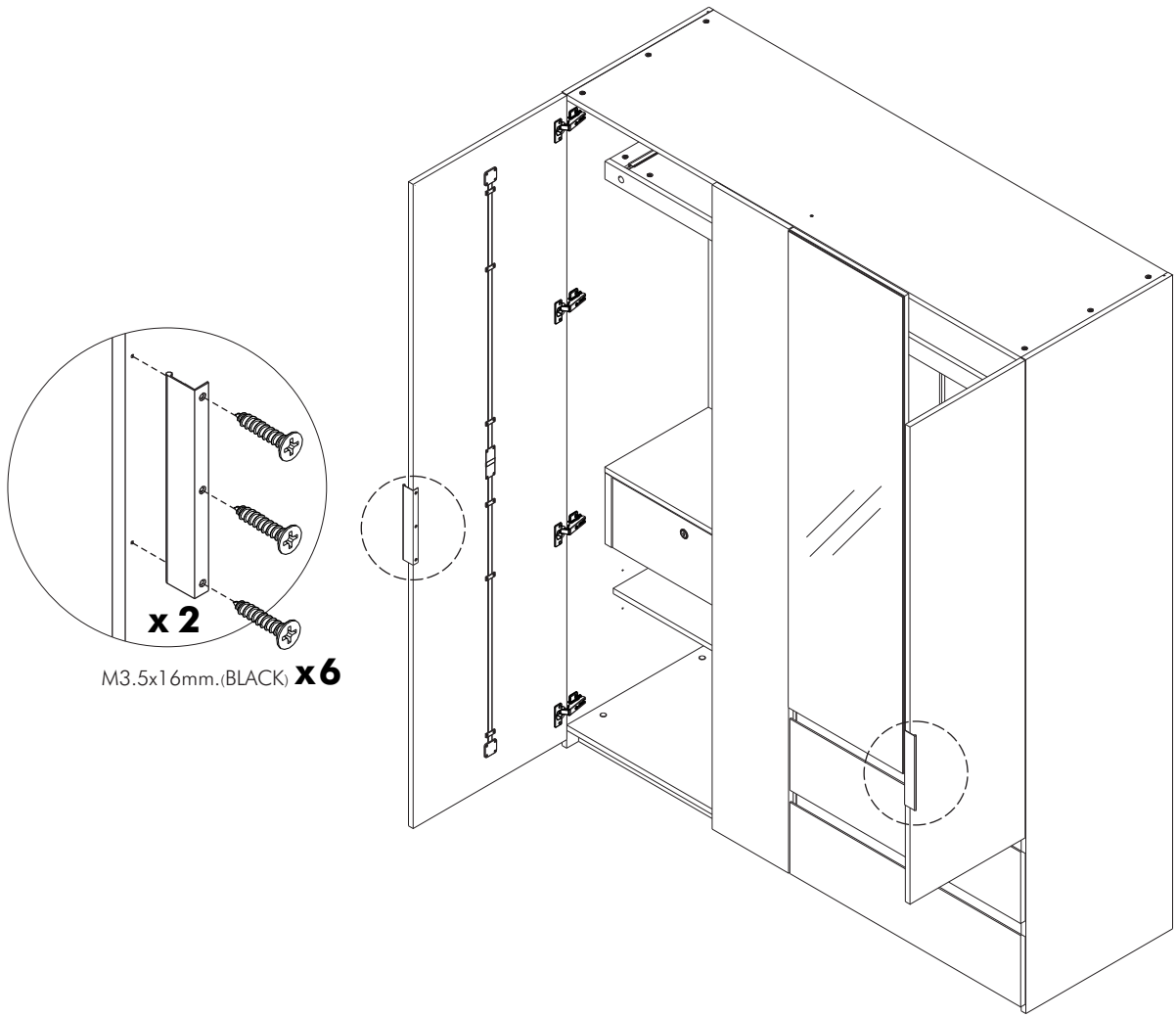




ASSEMBLY

-DOOR SET





x 2
M3.5x16mm.(BLACK) **x6**