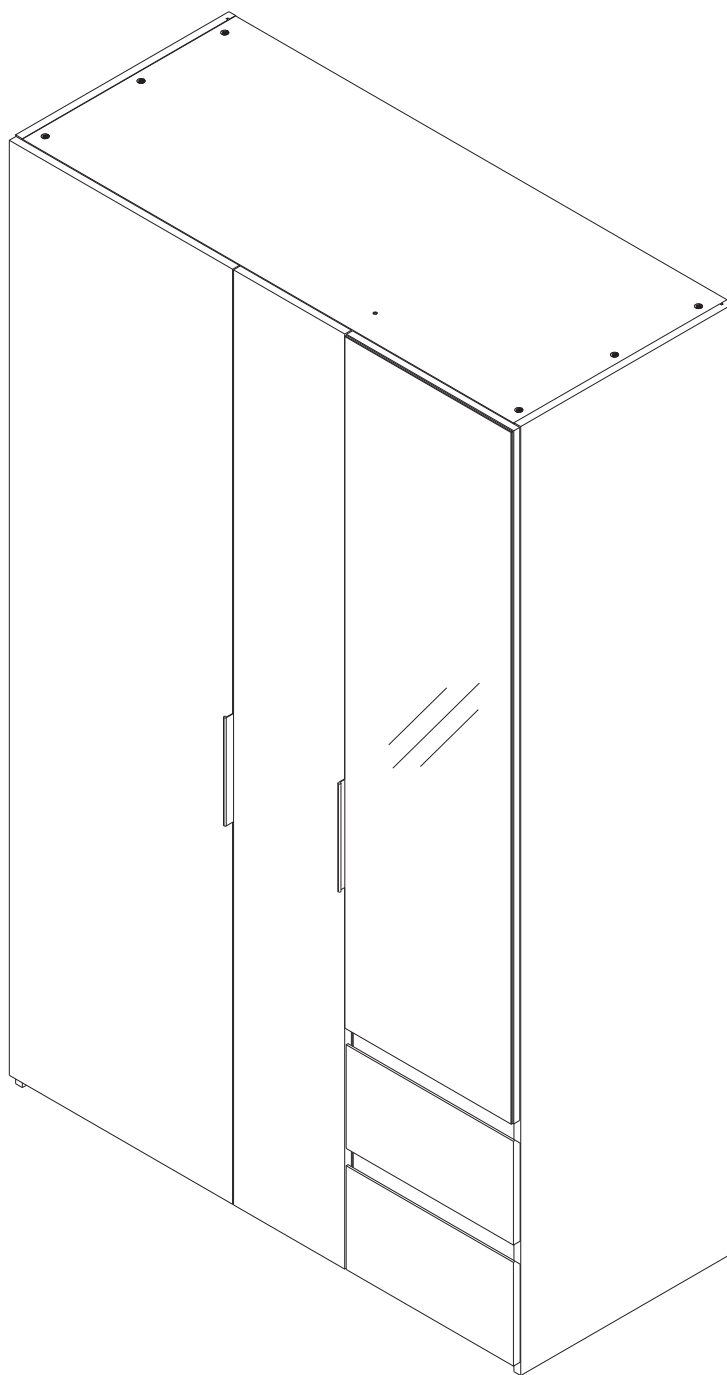


MAZZIMO

Wardrobe 3 door 135Cm.



CONNECT SYSTEM

1

3

2

(Connecting bolts)

WHEN FITTING CAMS
 ENSURE STARTING POSITION IS CORRECT
 BEFORE YOU INSERT CONNECTING BOLT
 TURN CLOCKWISE UNTIL SECURE

<input checked="" type="checkbox"/> <p>CORRECT</p>	<input type="checkbox"/> <p>WRONG</p>	<input type="checkbox"/>	<input type="checkbox"/>	✗
---	--	--------------------------	--------------------------	--

1 Pc.

EQ EQ

≤ 190mm.

40mm. 40mm.

2 Pcs.

≥ 191-850mm.

100mm. EQ EQ 100mm.

3 Pcs.

> 850-2000mm.

100mm. EQ EQ EQ 100mm.

4 Pcs.

> 2001mm.

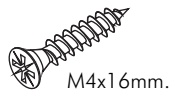
i

40mm.

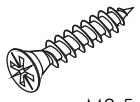
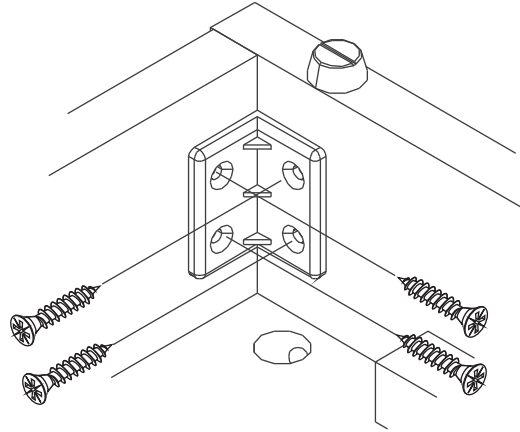
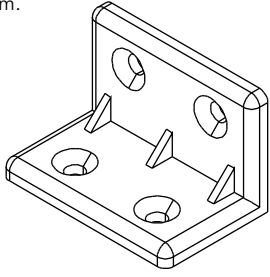
EQ

M4x16mm.

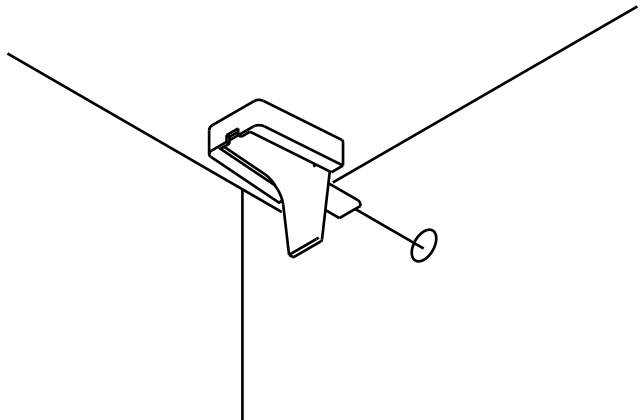
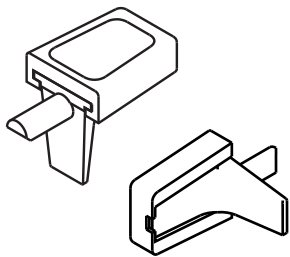
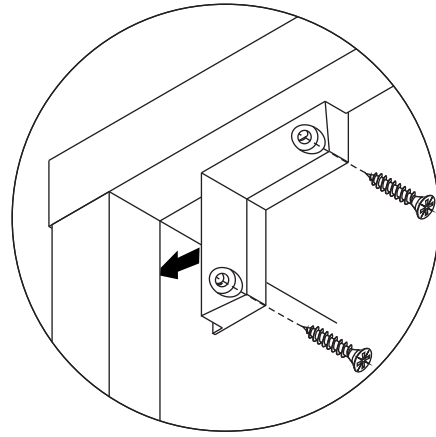
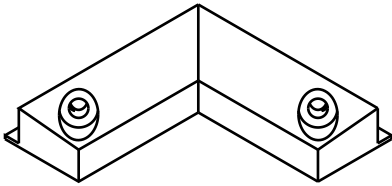
DOOR PANEL



M4x16mm.



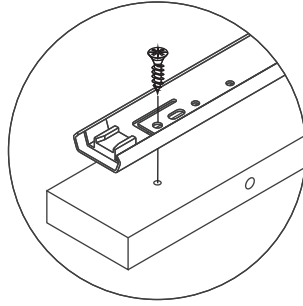
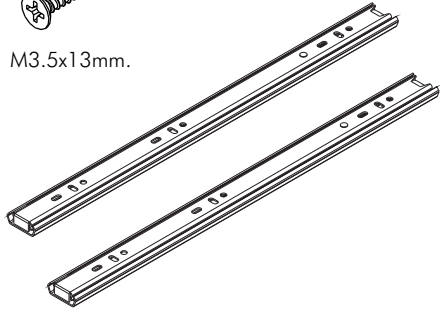
M3.5x20mm.



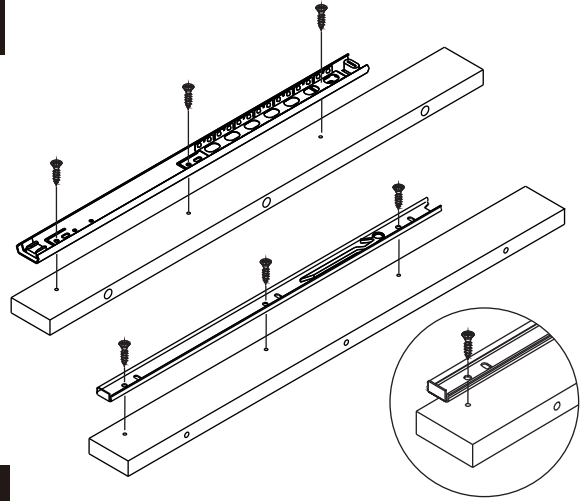
14" 20"



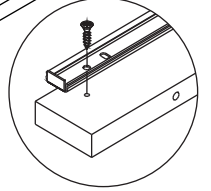
M3.5x13mm.



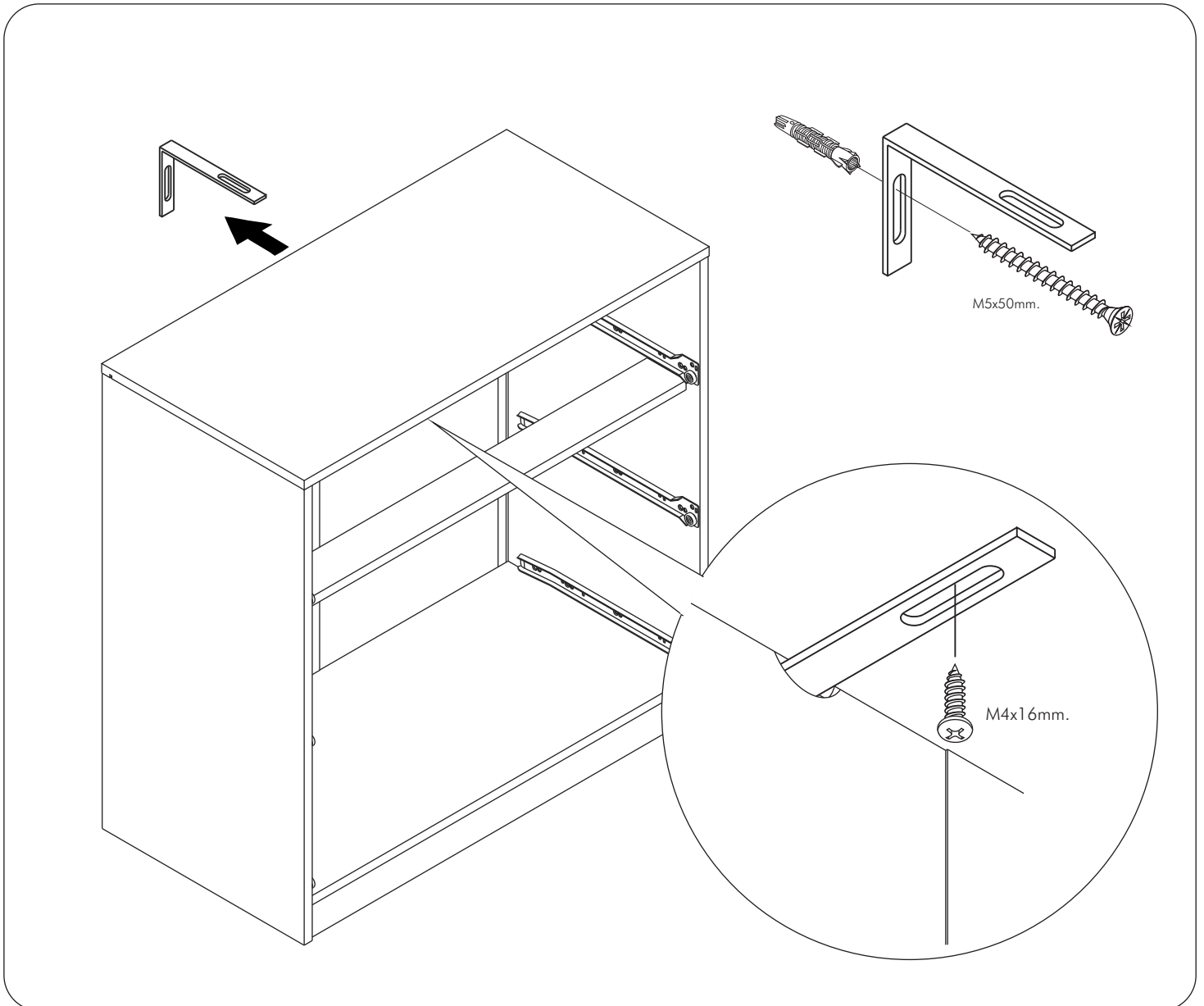
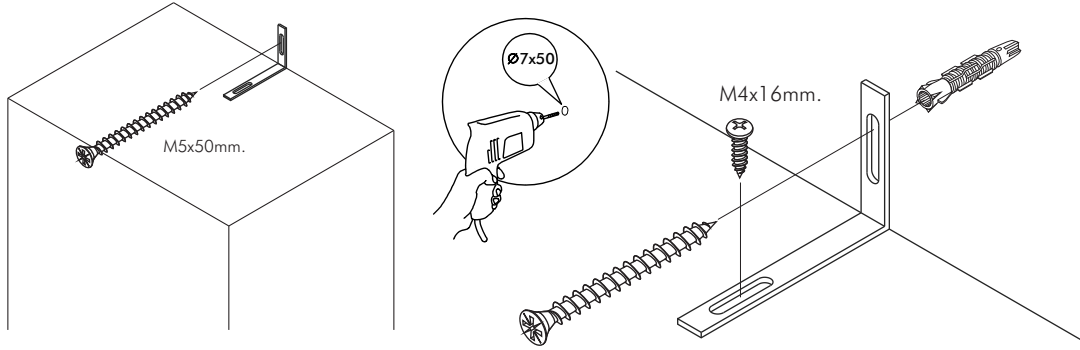
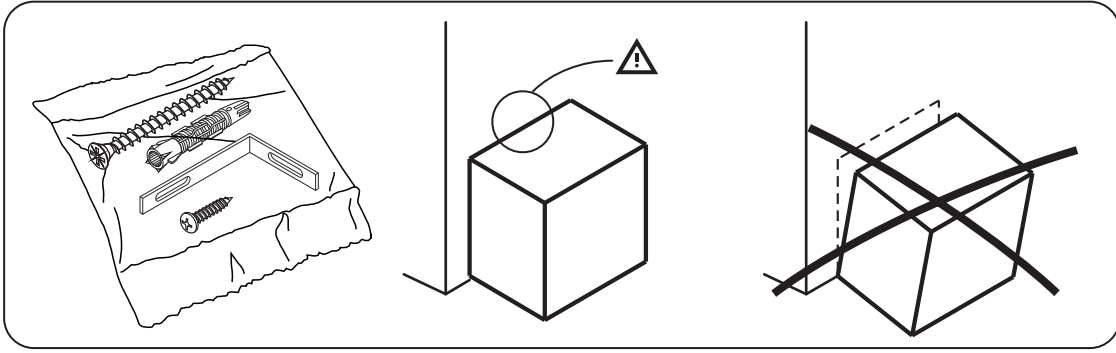
1



2

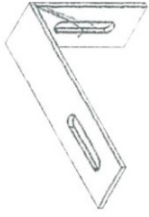


x2

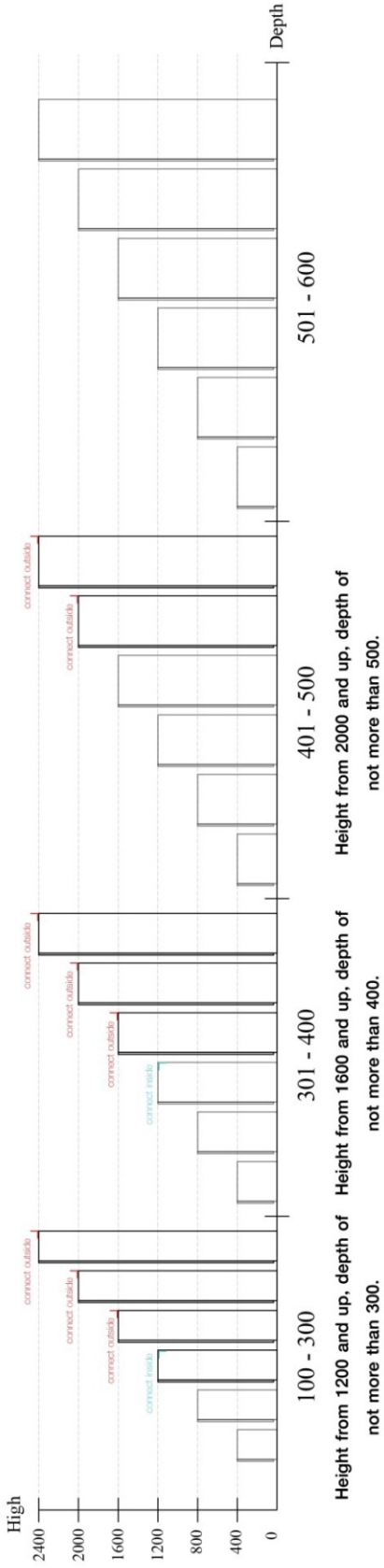


The Standard for identifying which mounted safety fall protection fitting to use **Note : That children's products must be installed with all anti-falling fittings.**

■ Mounted fall protection fittings

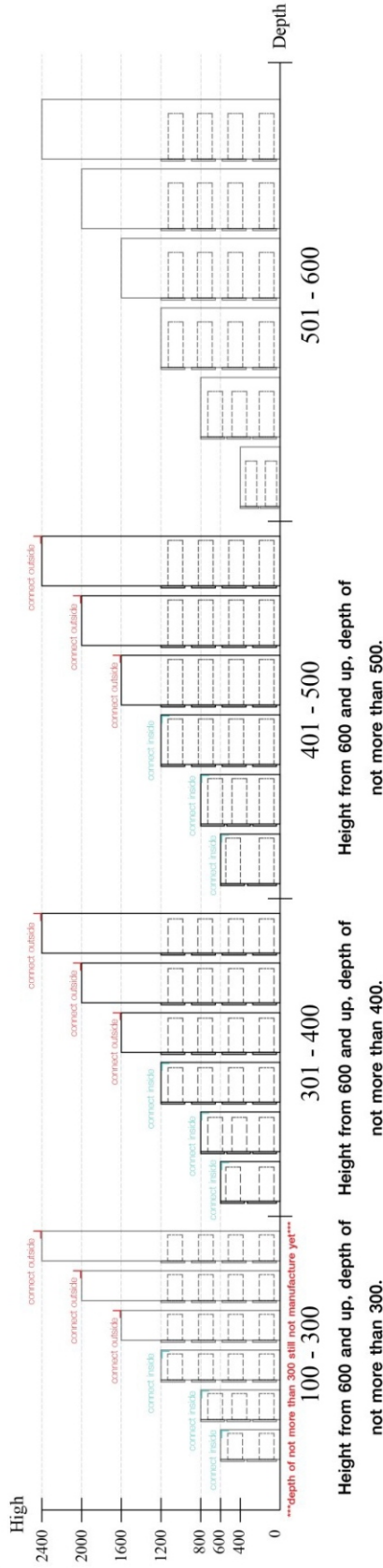


■ Category : Cabinet with open doors



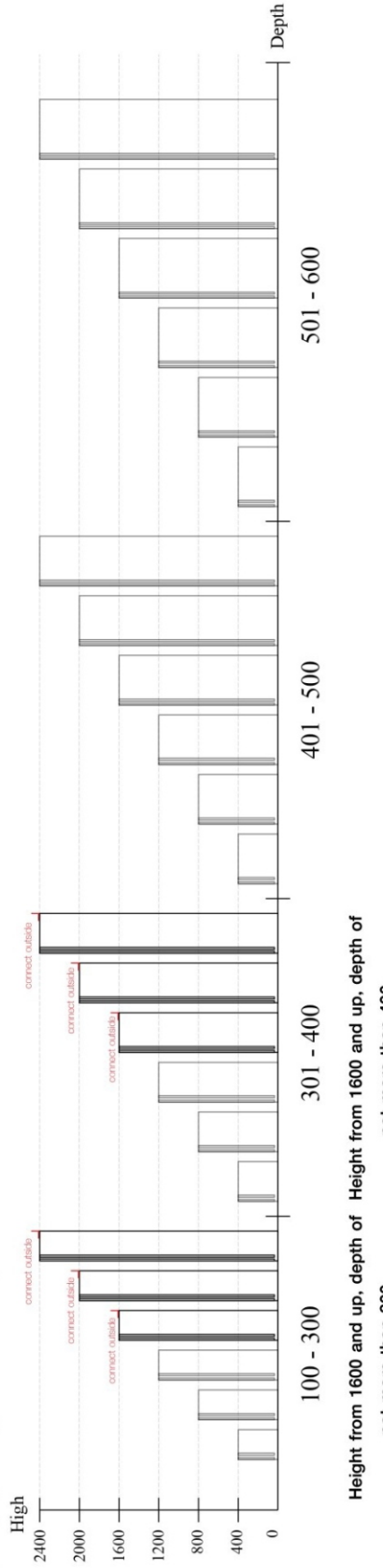
Height from 1200 and up, depth of not more than 300. Height from 2000 and up, depth of not more than 500.

■ Category : Chest of drawers



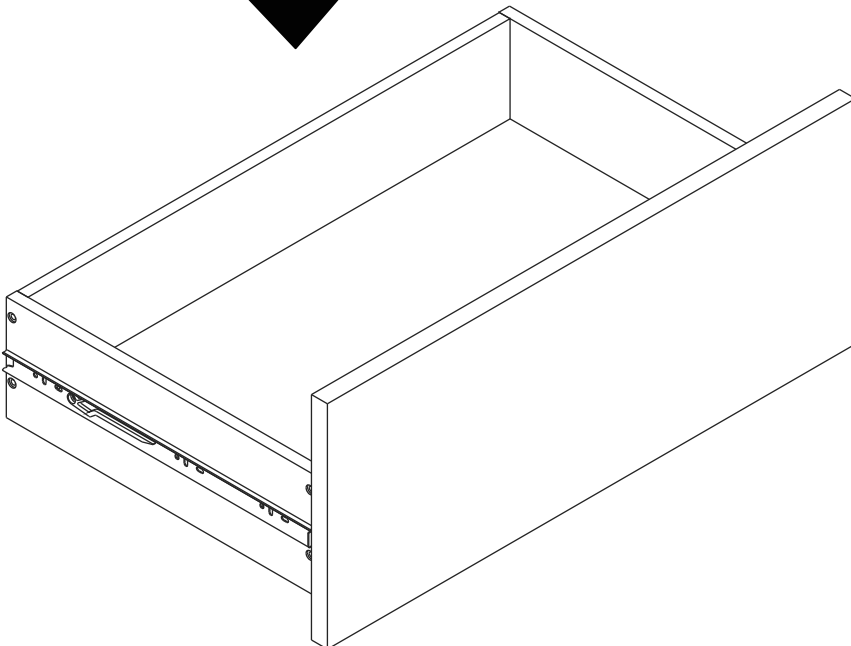
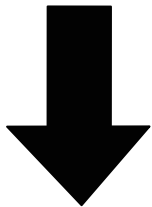
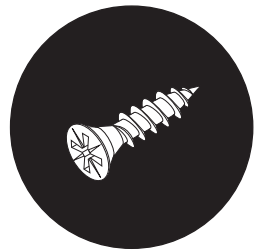
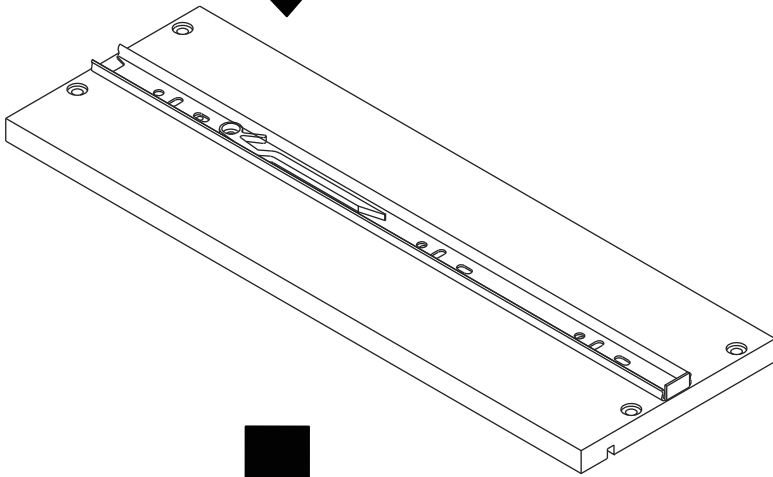
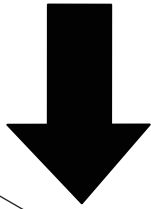
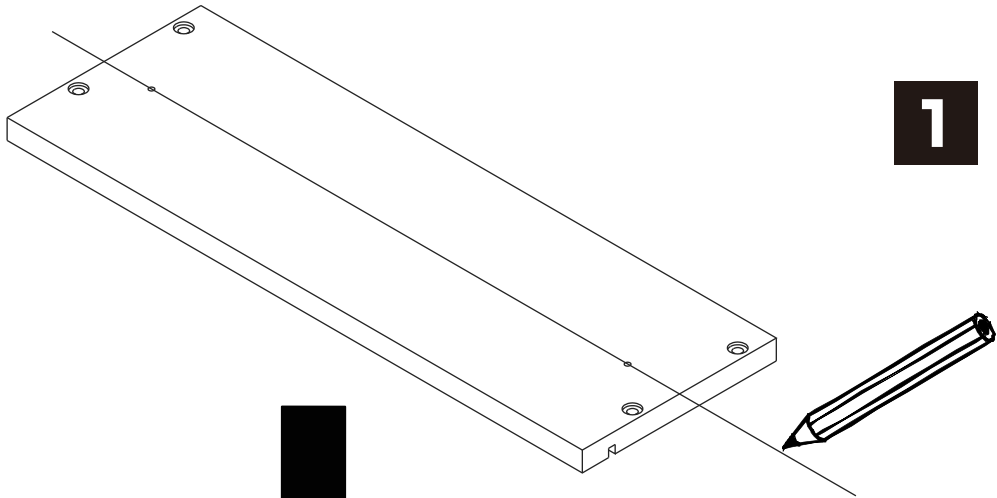
Height from 600 and up, depth of not more than 300. Height from 600 and up, depth of not more than 500.

■ Category : Sliding door cabinet / Open cabinet



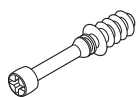
Height from 1600 and up, depth of not more than 300. Height from 1600 and up, depth of not more than 400.

depth of not more than 300 still not manufacture yet



HARDWARE

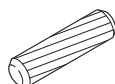
-BODY SET



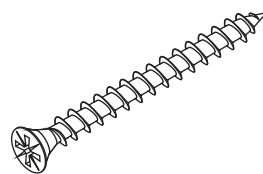
x 35



x 35

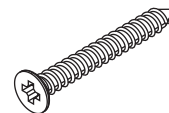


x 52



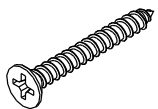
M4x50mm.

x 6



M4x40mm.

x 1

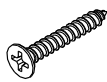


M4x35mm.

x 4



x 7



M4x25mm.

x 21



Ø 20mm.(5x23)

x 2



x 4



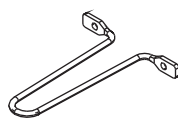
M3.5x13mm.

x 8



M4x16mm.

x 46



x 1

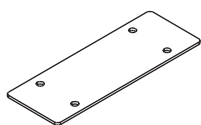


x 4

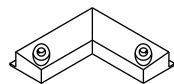


Ø 5x18 mm.

x 6



x 2

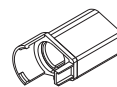


x 2

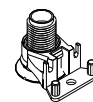


M3.5x20mm.

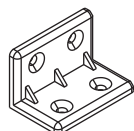
x 4



x 6



x 6

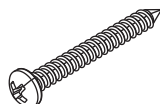


x 8



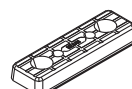
M4x16mm.

x 58

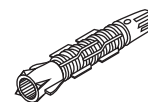


M4x30mm.

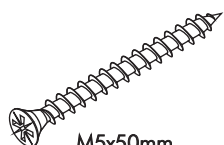
x 9



x 10

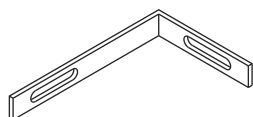


x 2



M5x50mm.

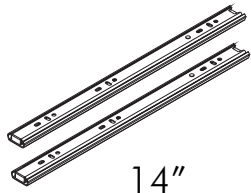
x 2



x 2

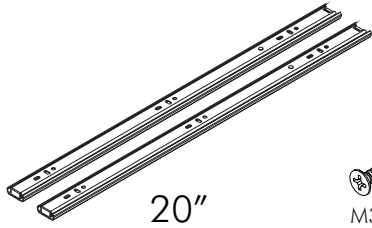
HARDWARE

-DRAWER SET



14"

x 1



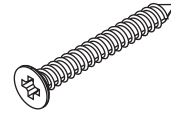
20"

x 2



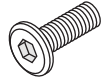
M3.5x13mm.

x 36



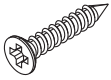
M4x40mm.

x 30



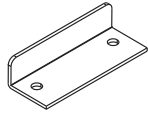
TFL4 M6x23

x 12



M3.5x20mm.

x 4

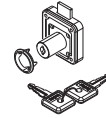


x 1



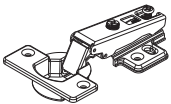
M4x1/2"

x 2



x 1

-DOOR SET



x 12



M4x16mm.

x 72

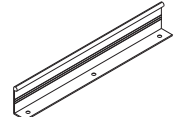


x 6



M3.5x16mm.(BLACK)

x 6



x 2

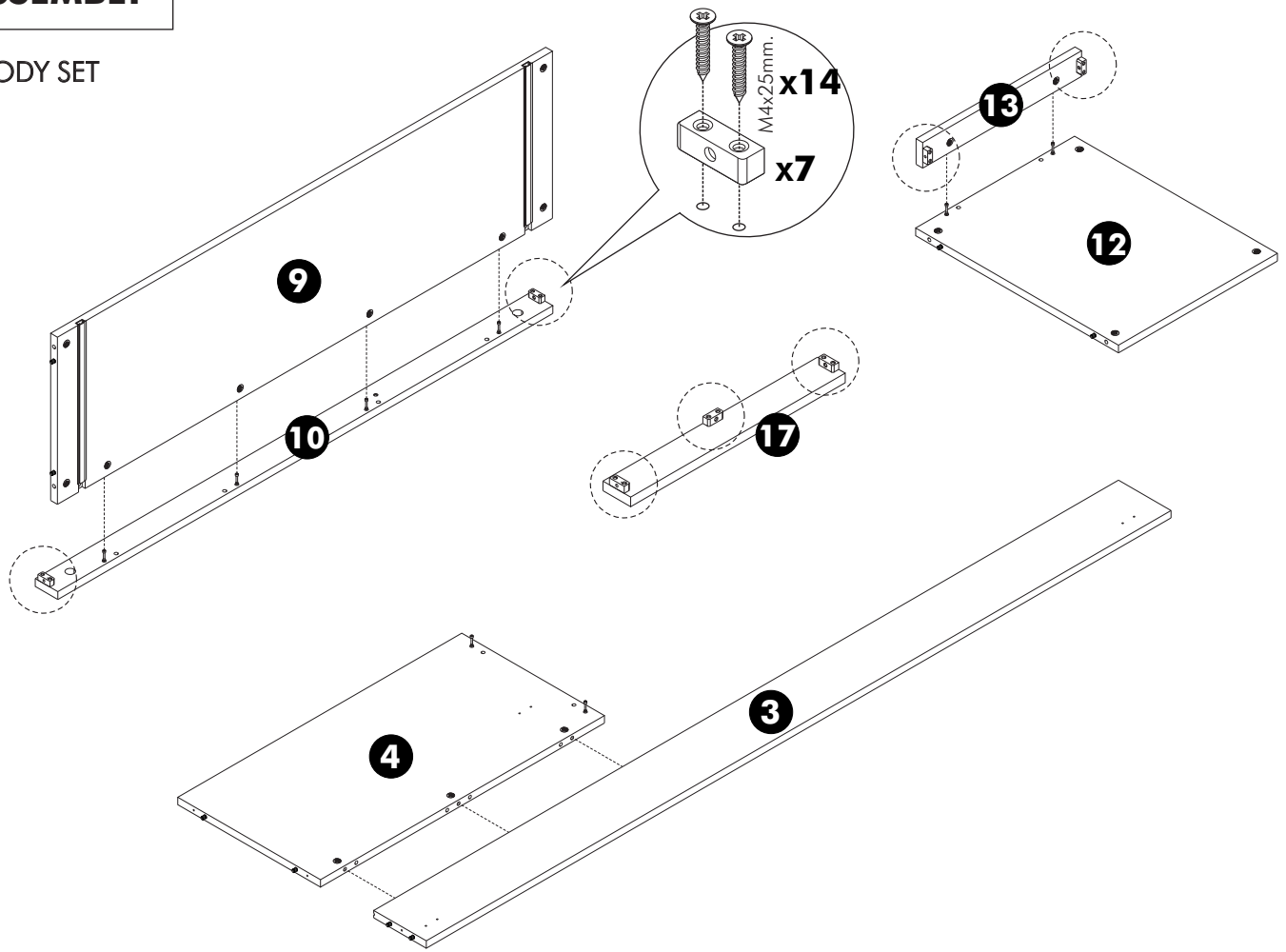


x 1

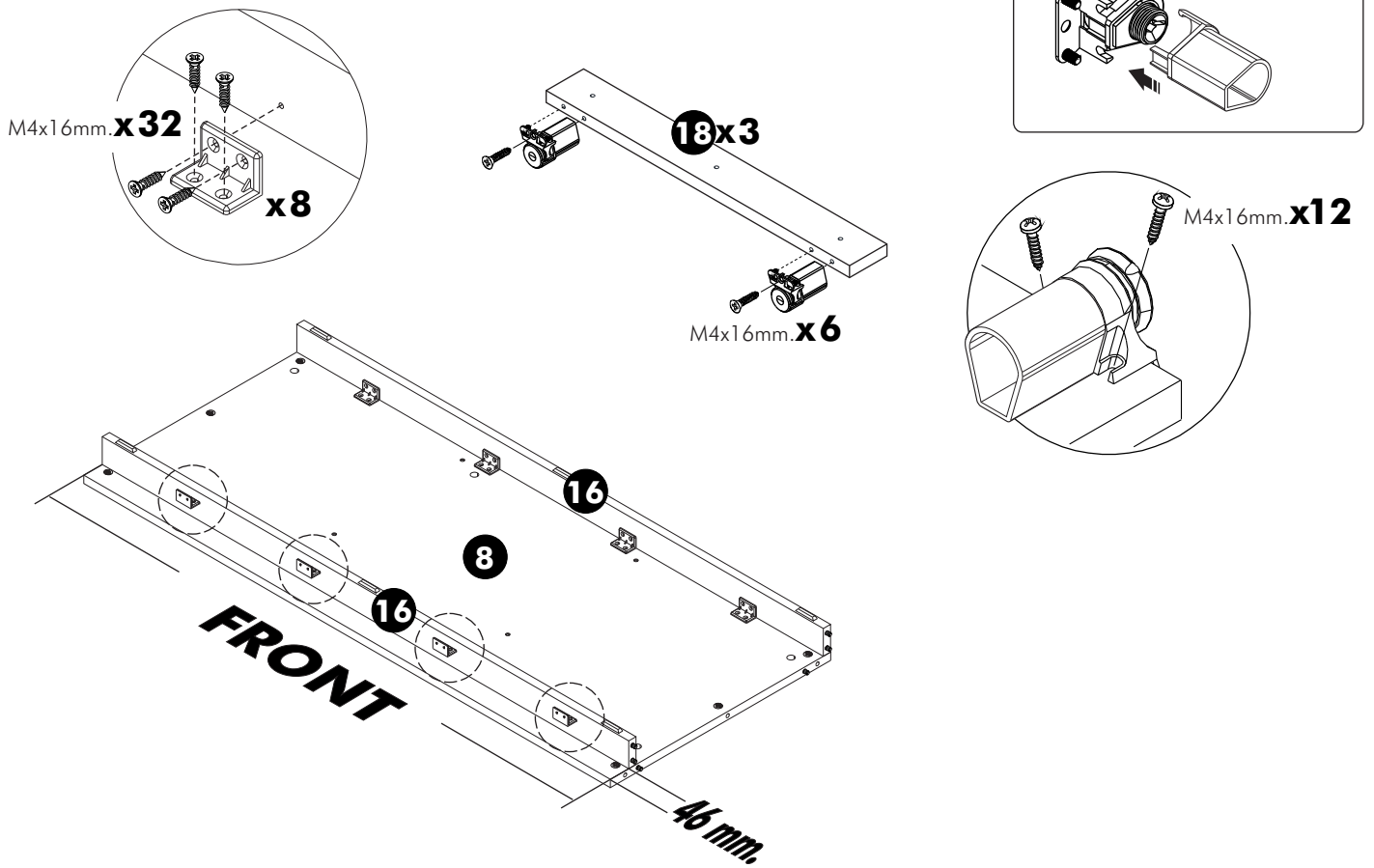
ASSEMBLY

-BODY SET

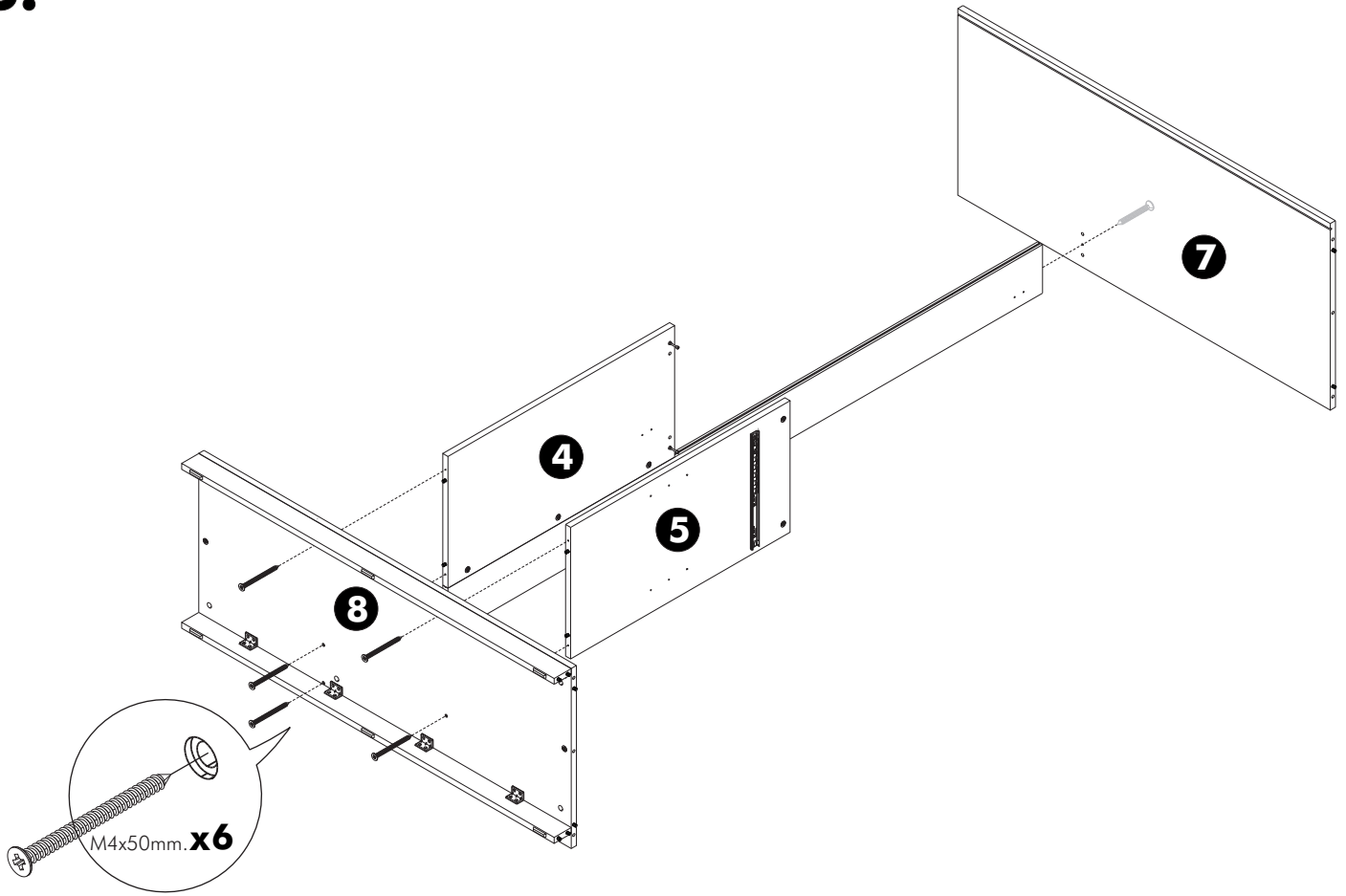
1.



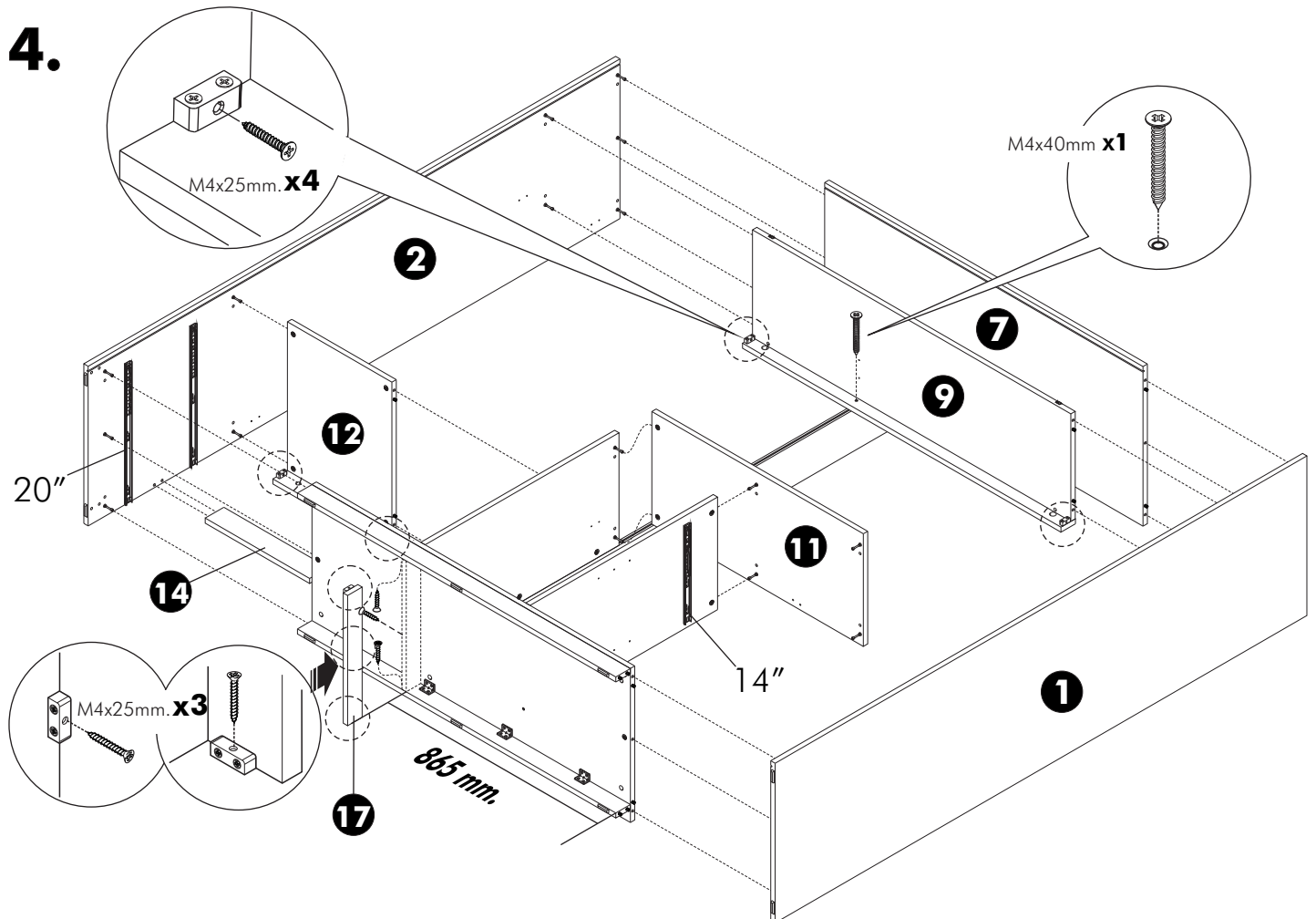
2.



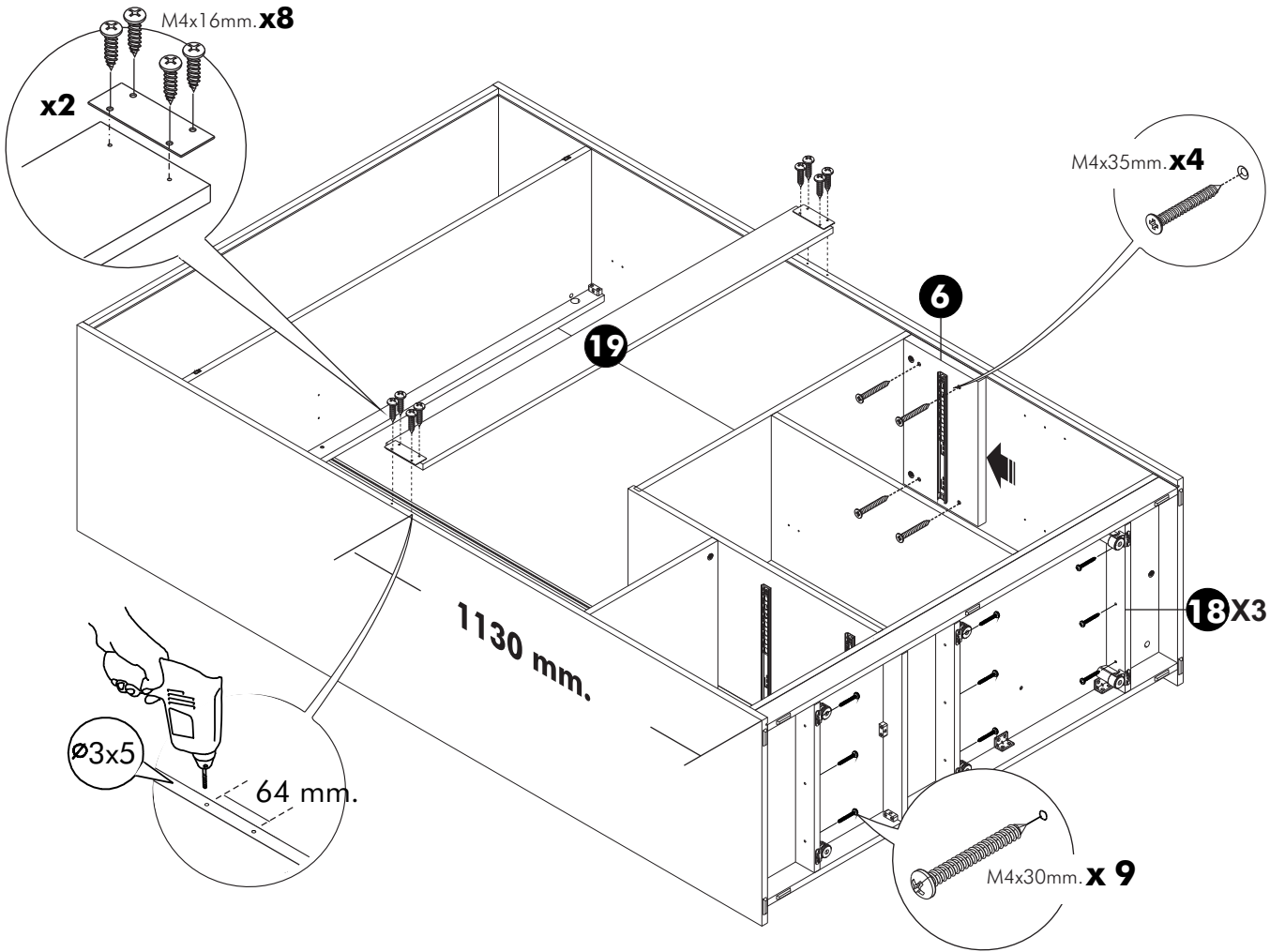
3.



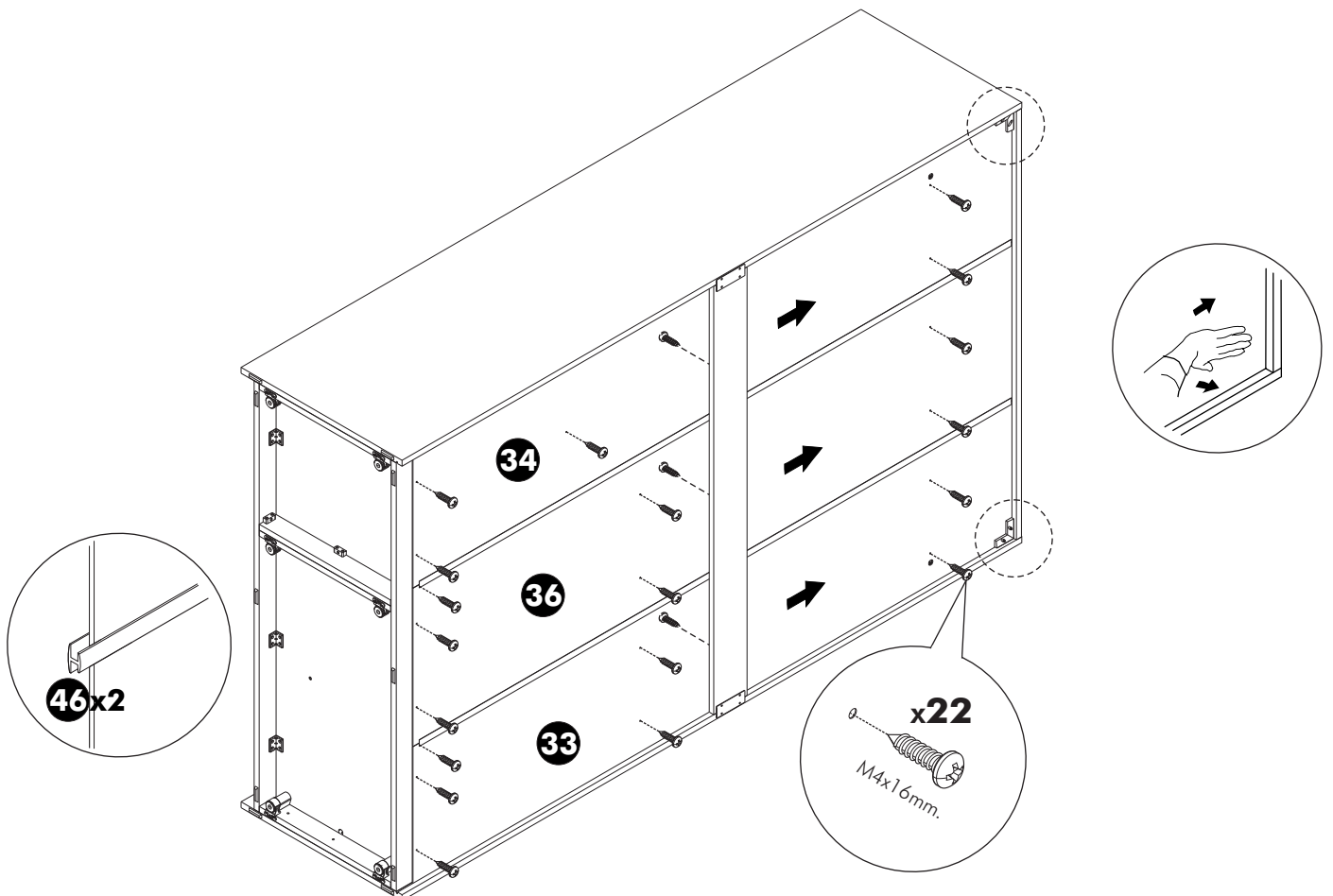
4.



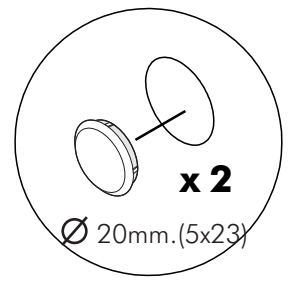
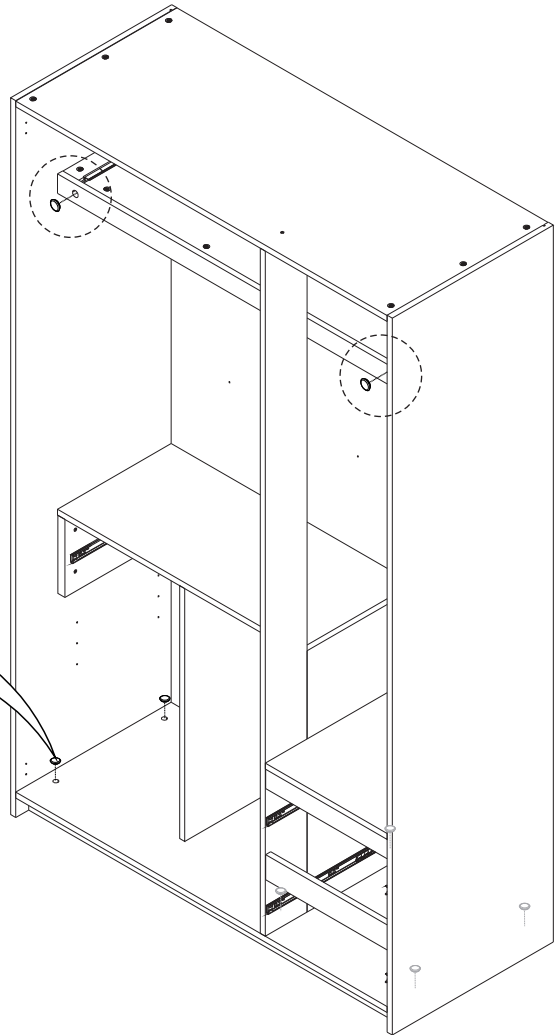
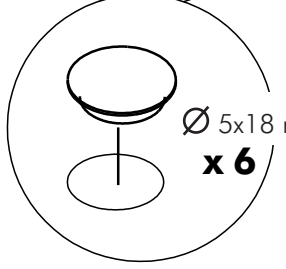
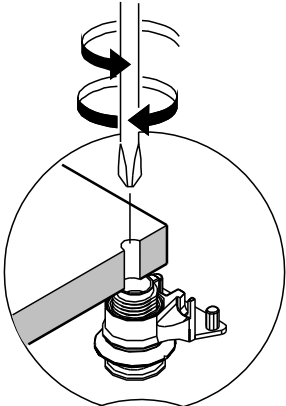
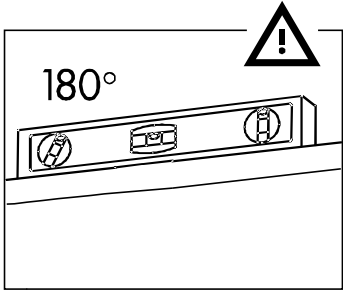
5.



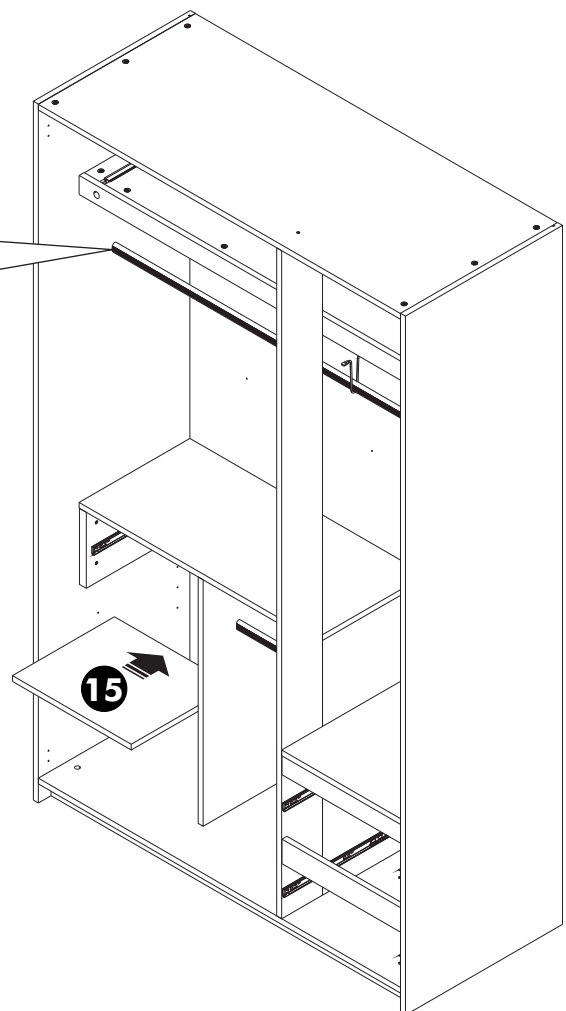
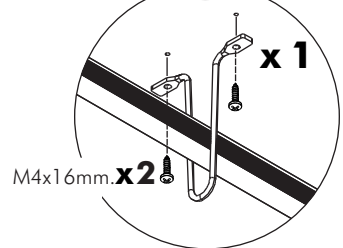
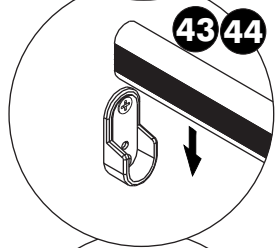
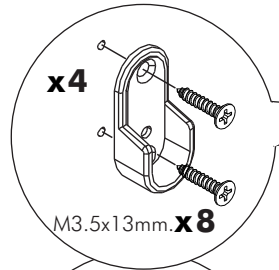
6.



7.

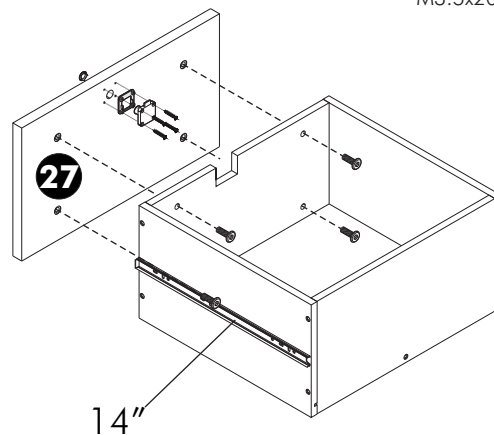
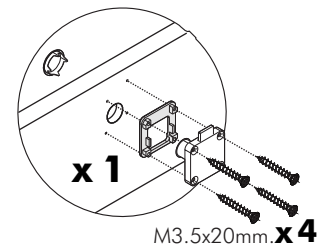
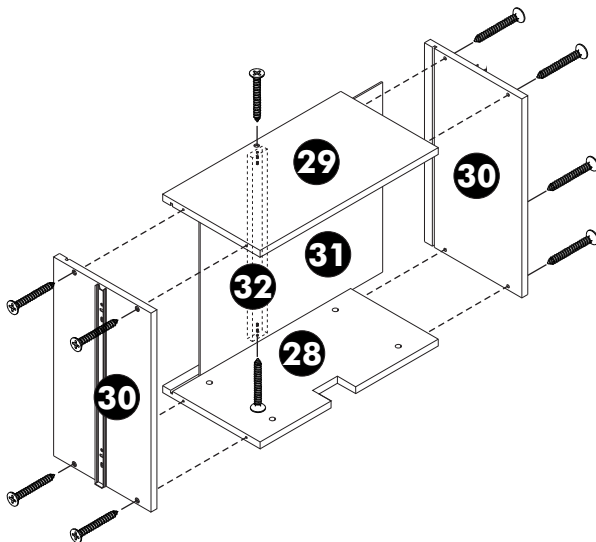
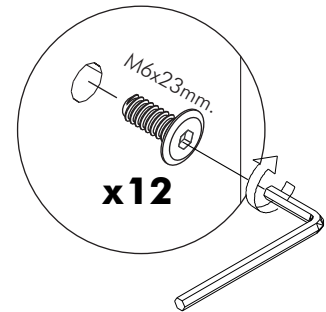
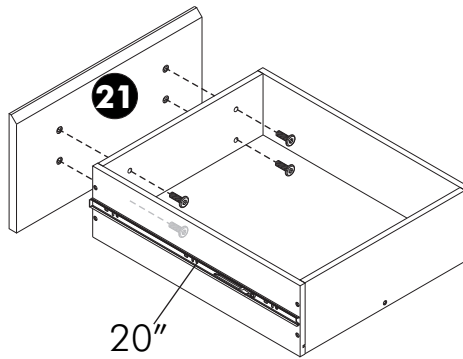
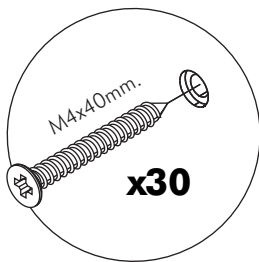
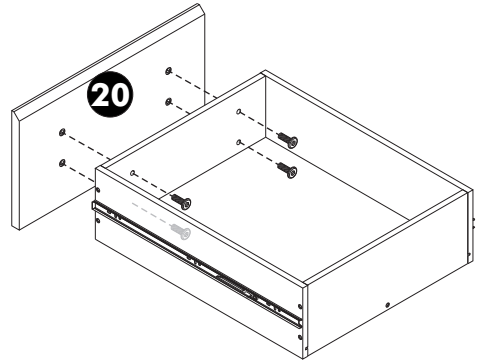
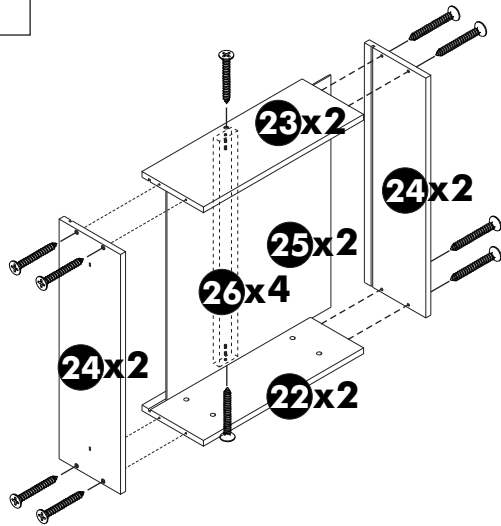


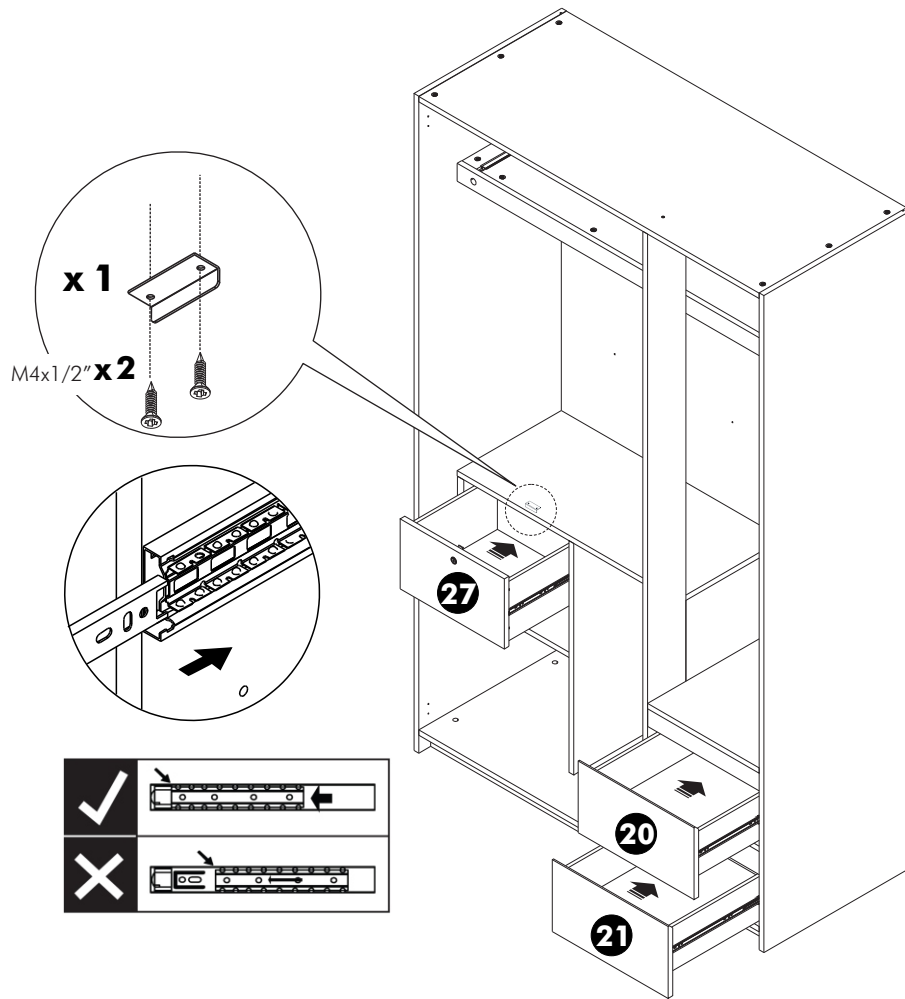
8.



ASSEMBLY

-DRAWER SET





ASSEMBLY

-DOOR SET

