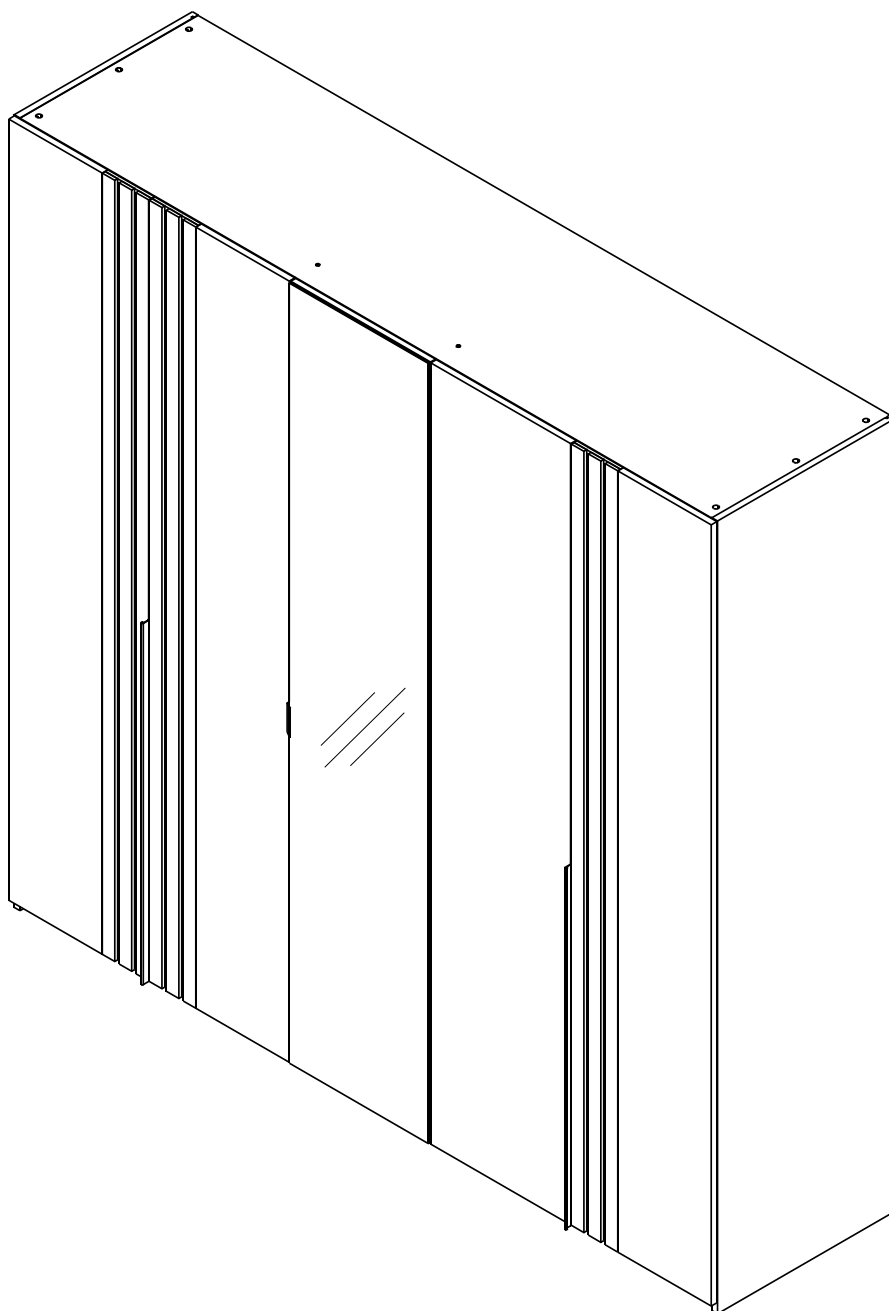
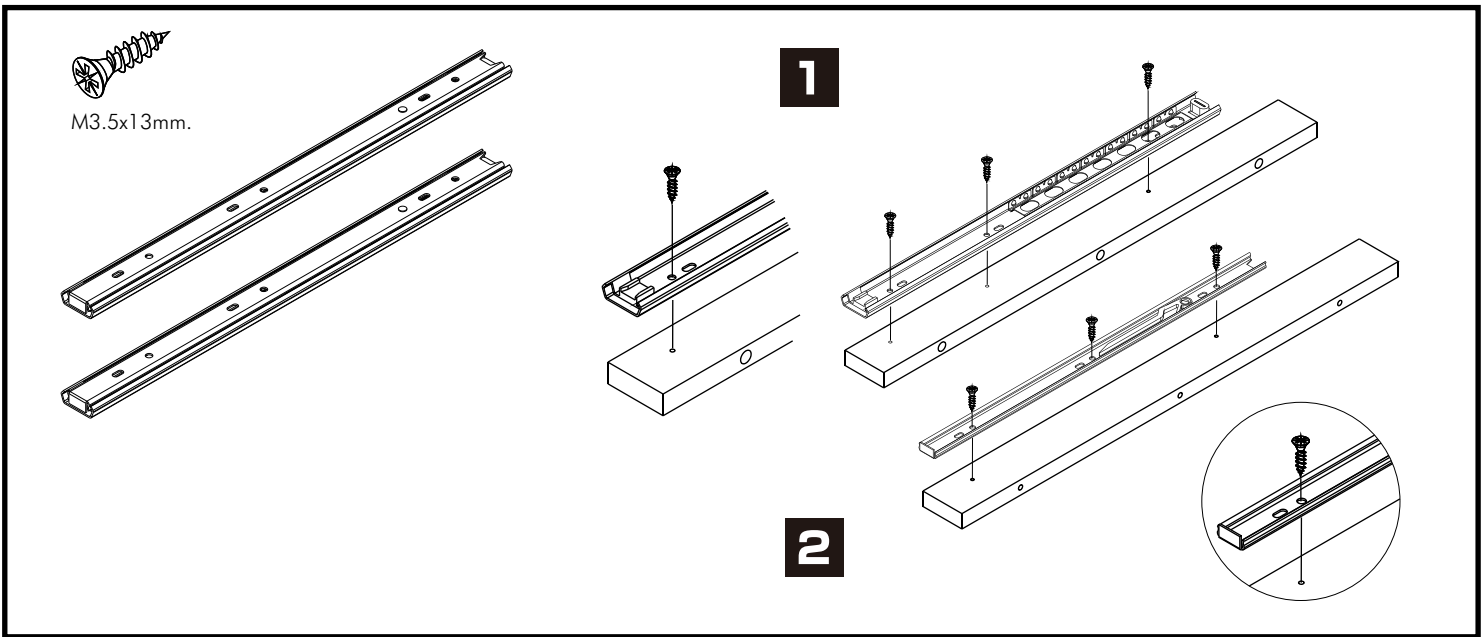
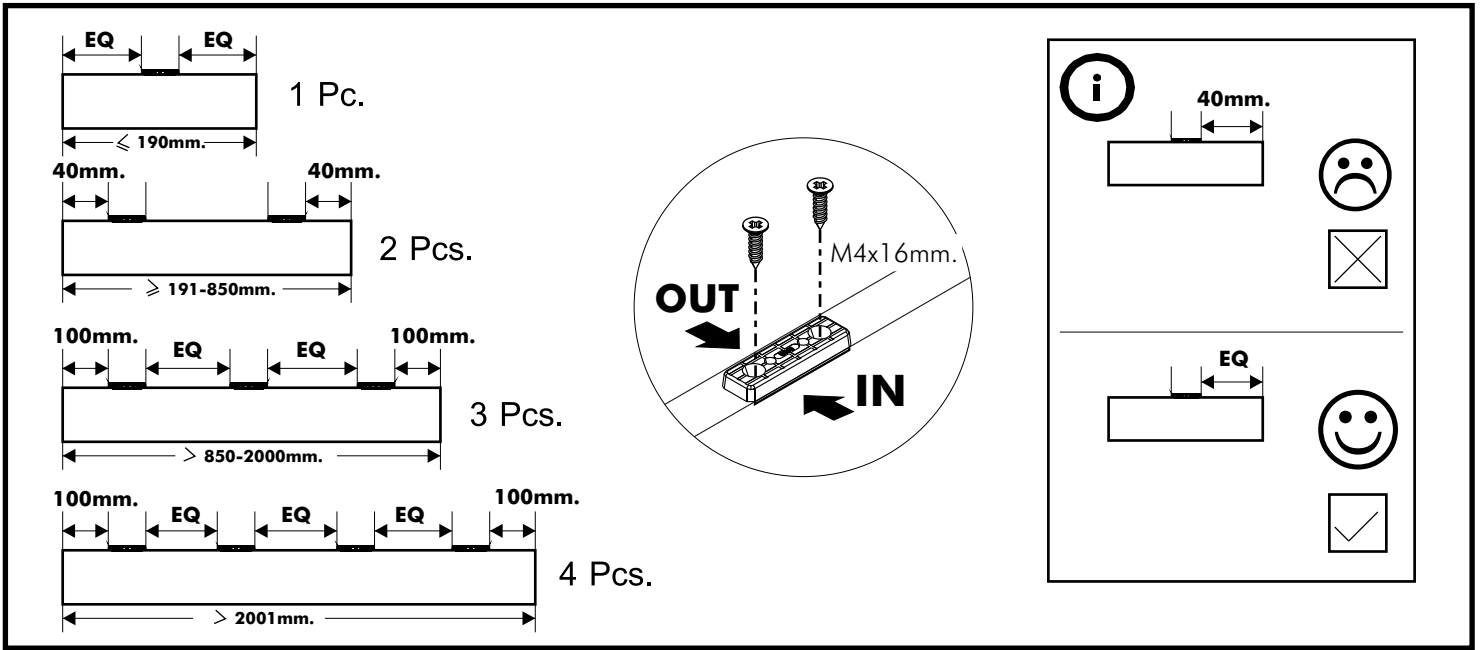
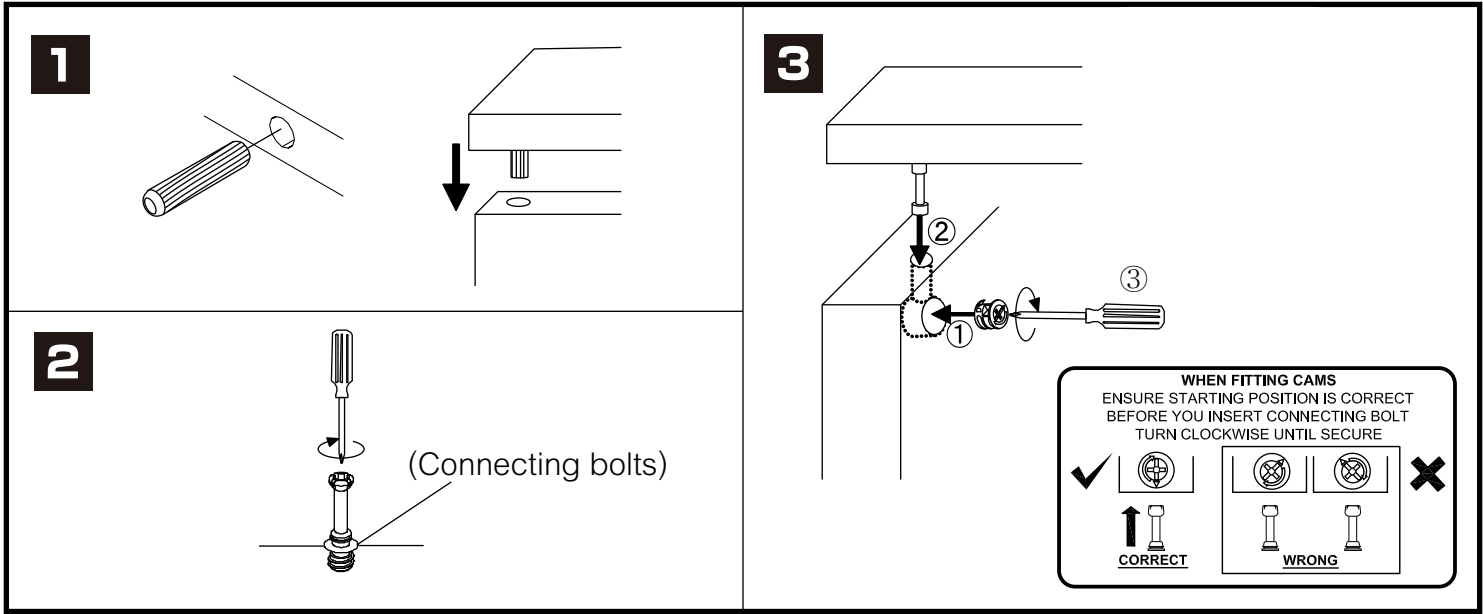


ARMANO

Wardrobe 5 doors.

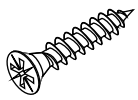
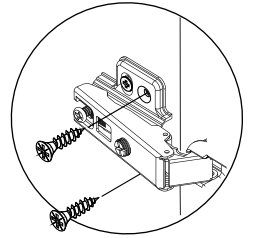
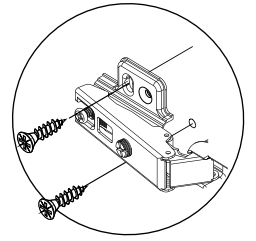
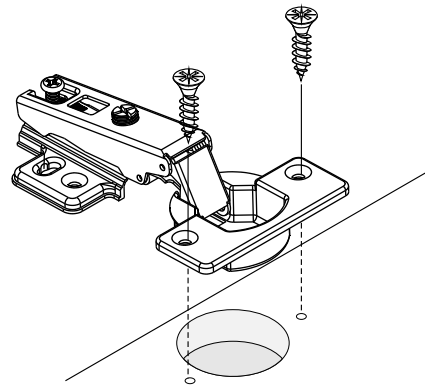
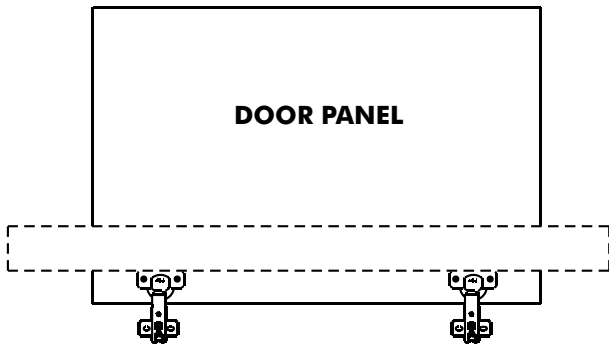


CONNECT SYSTEM

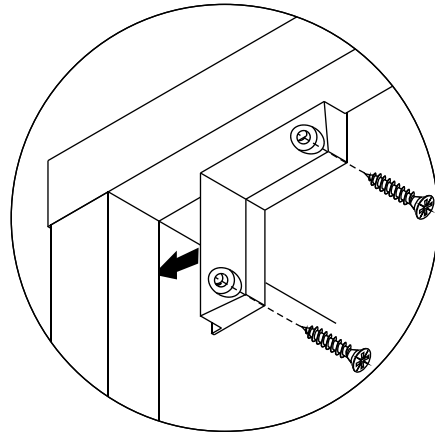
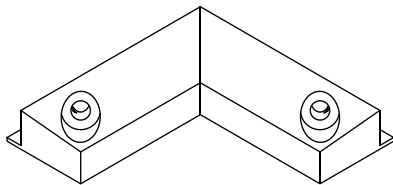




M4x16mm.

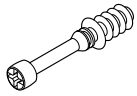


M3.5x20mm.



HARDWARE

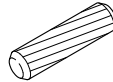
-BODY SET



x 42

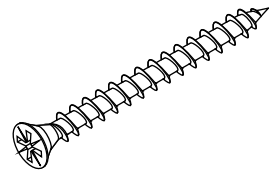


x 42



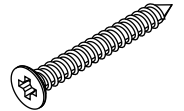
8x35mm.

x 60



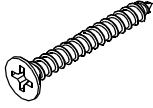
M4x50mm.

x 8



M4x40mm.

x 2

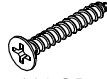


M4x35mm.

x 8



x 9



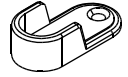
M4x25mm.

x 33



Ø 20mm.(5x23)

x 2



x 4



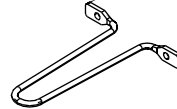
M3.5x13mm.

x 8



M4x16mm.

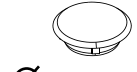
x 50



x 2

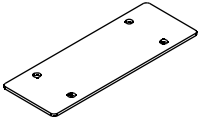


x 20

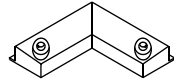


Ø 5x18 mm.

x 12



x 2

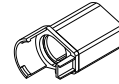


x 2

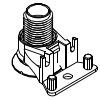


M3.5x20mm.

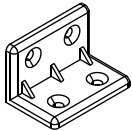
x 4



x 8



x 8

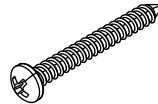


x 8



M4x16mm.

x 66



M4x30mm.

x 12



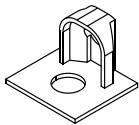
Ø11mm.

x 4

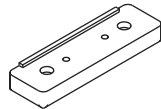


M4x13mm.

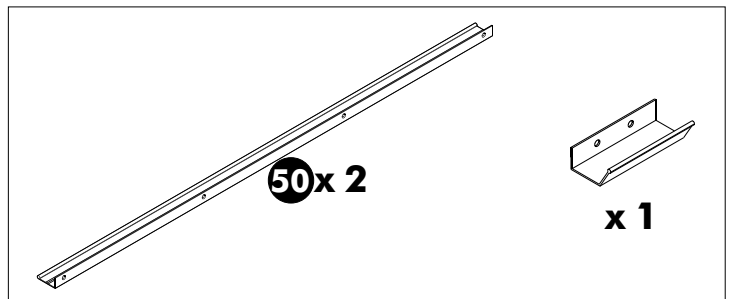
x 13



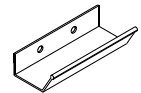
x 2



x 12

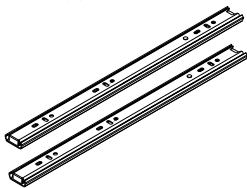


50x 2



x 1

-DRAWER SET

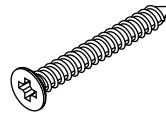


x 4



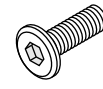
M3.5x13mm.

x 48



M4x40mm.

x 40



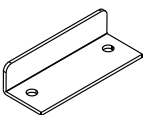
TFL4 M6x23

x 14



#M4

x 1

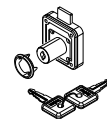


x 1



M4x1/2"

x 2



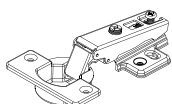
x 1



M3.5x20mm.

x 4

-DOOR SET



x 20



M4x16mm.

x 120



M3.5x16mm.

x 10



x 11

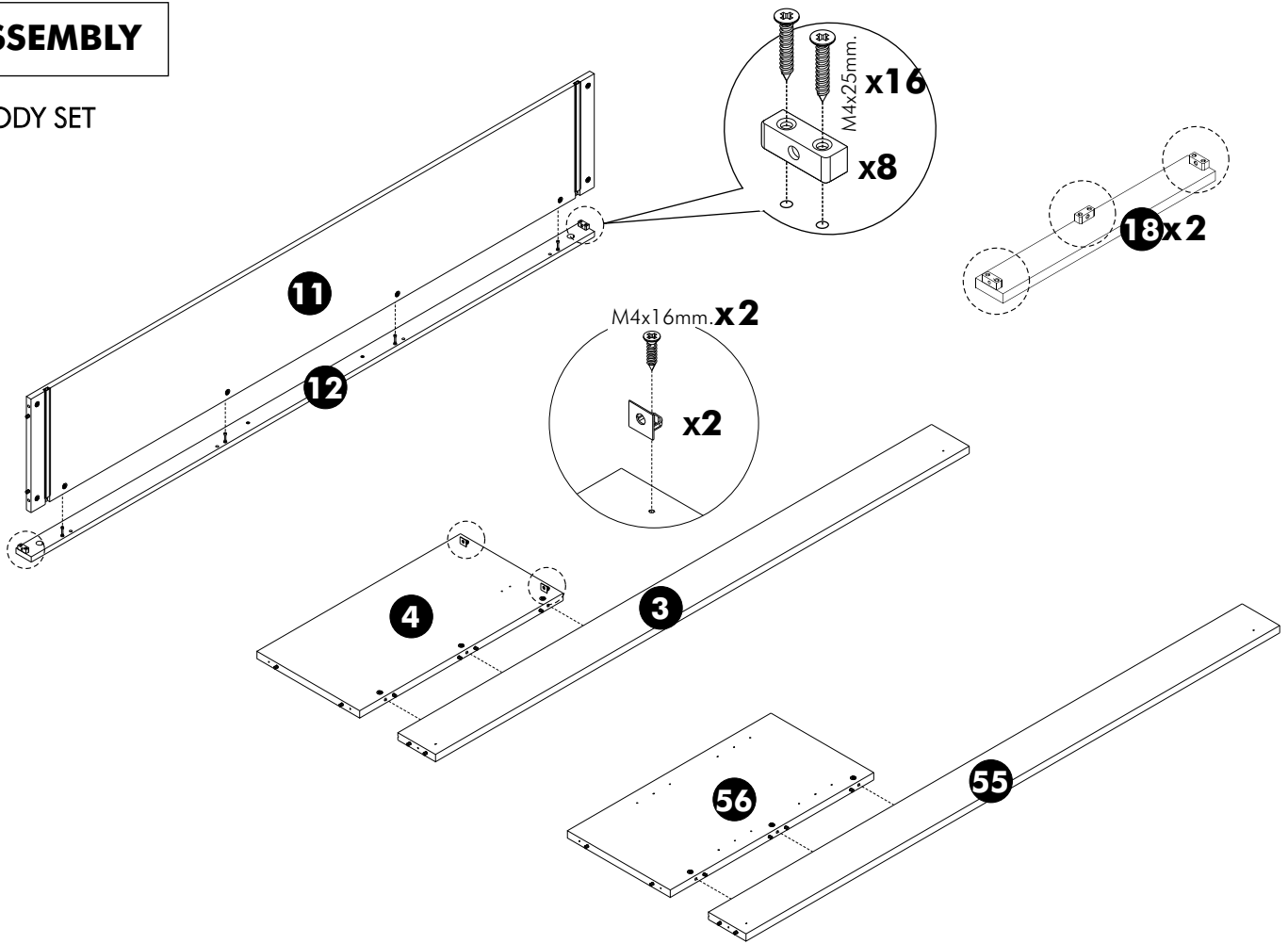


x 1

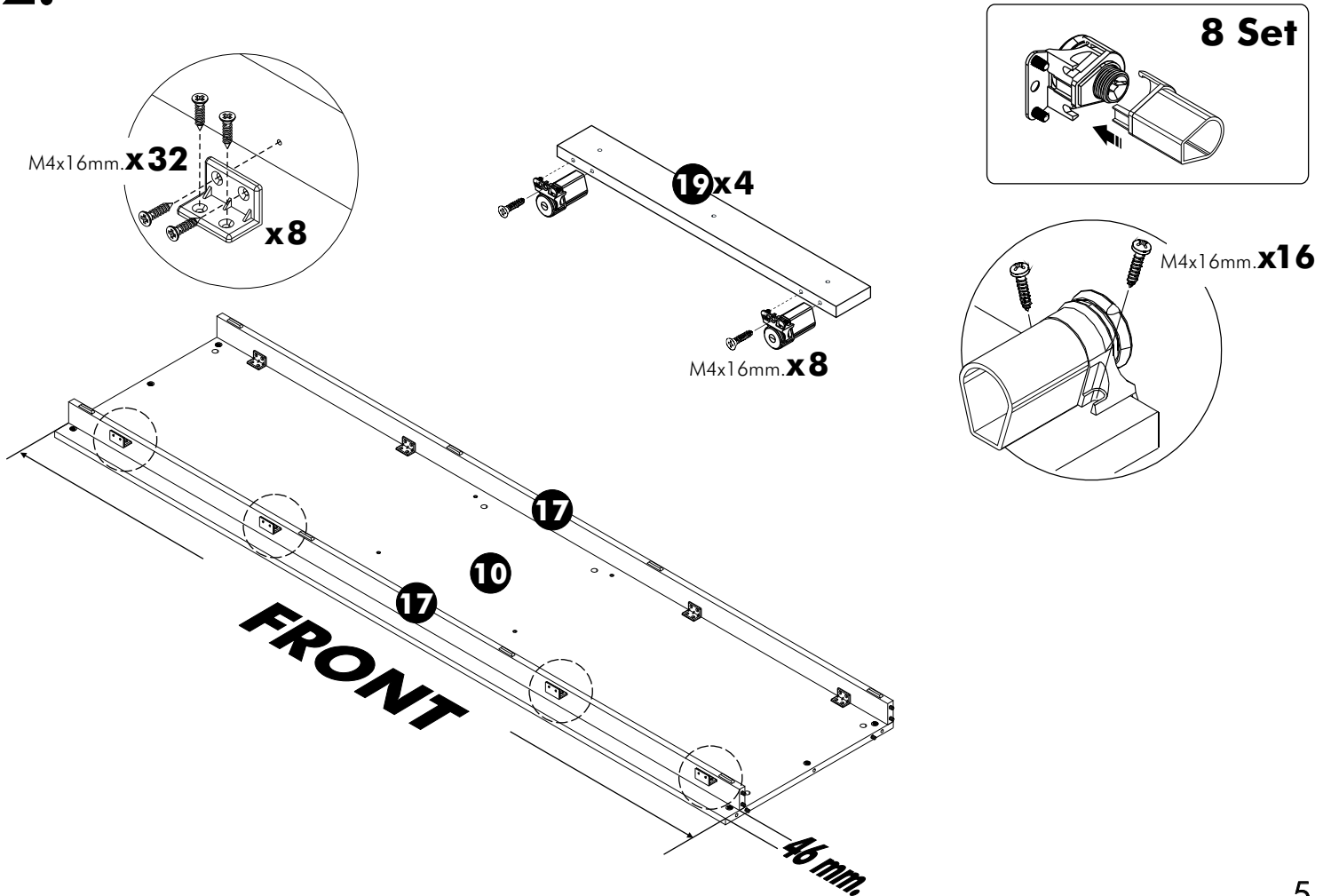
ASSEMBLY

-BODY SET

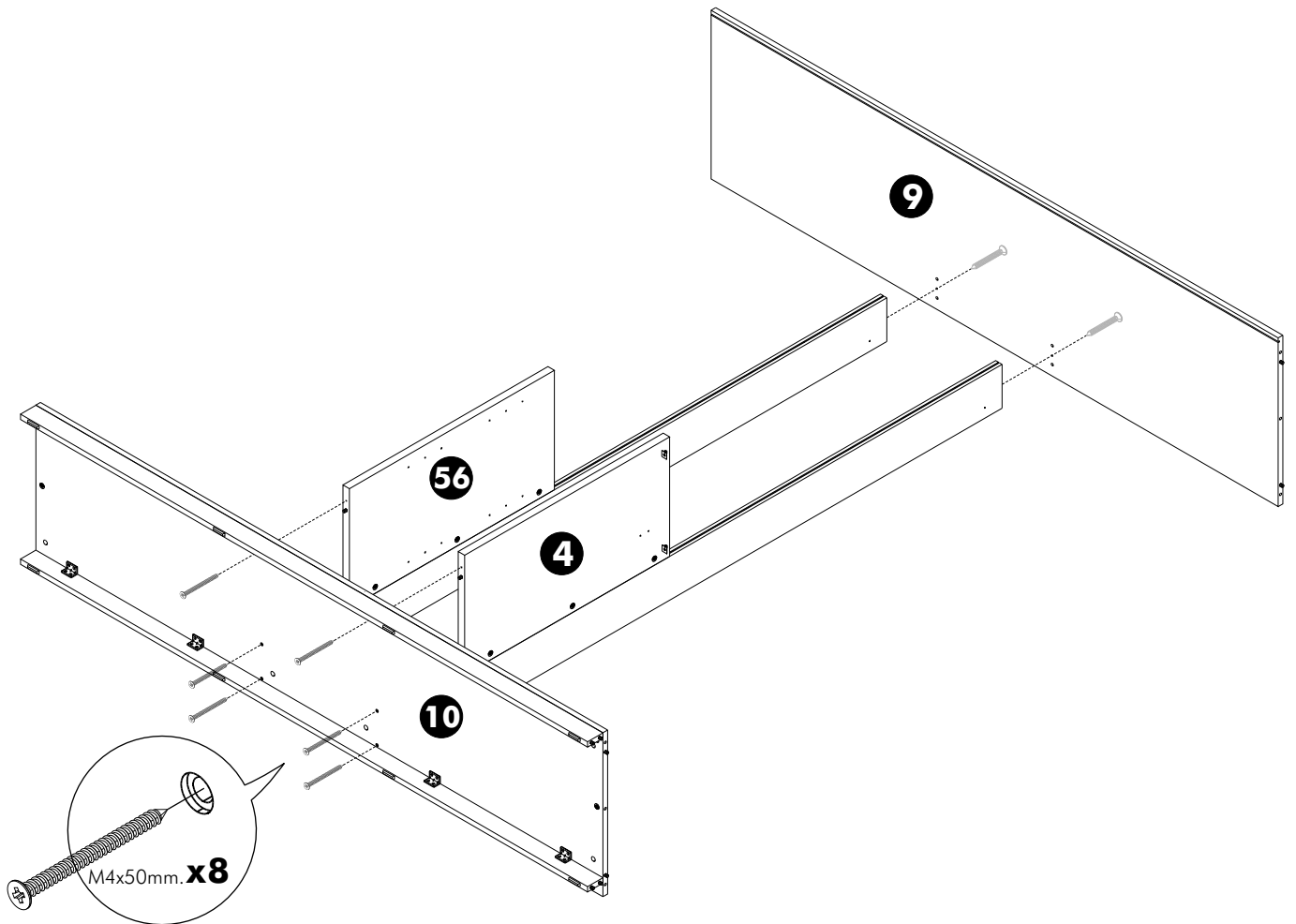
1.



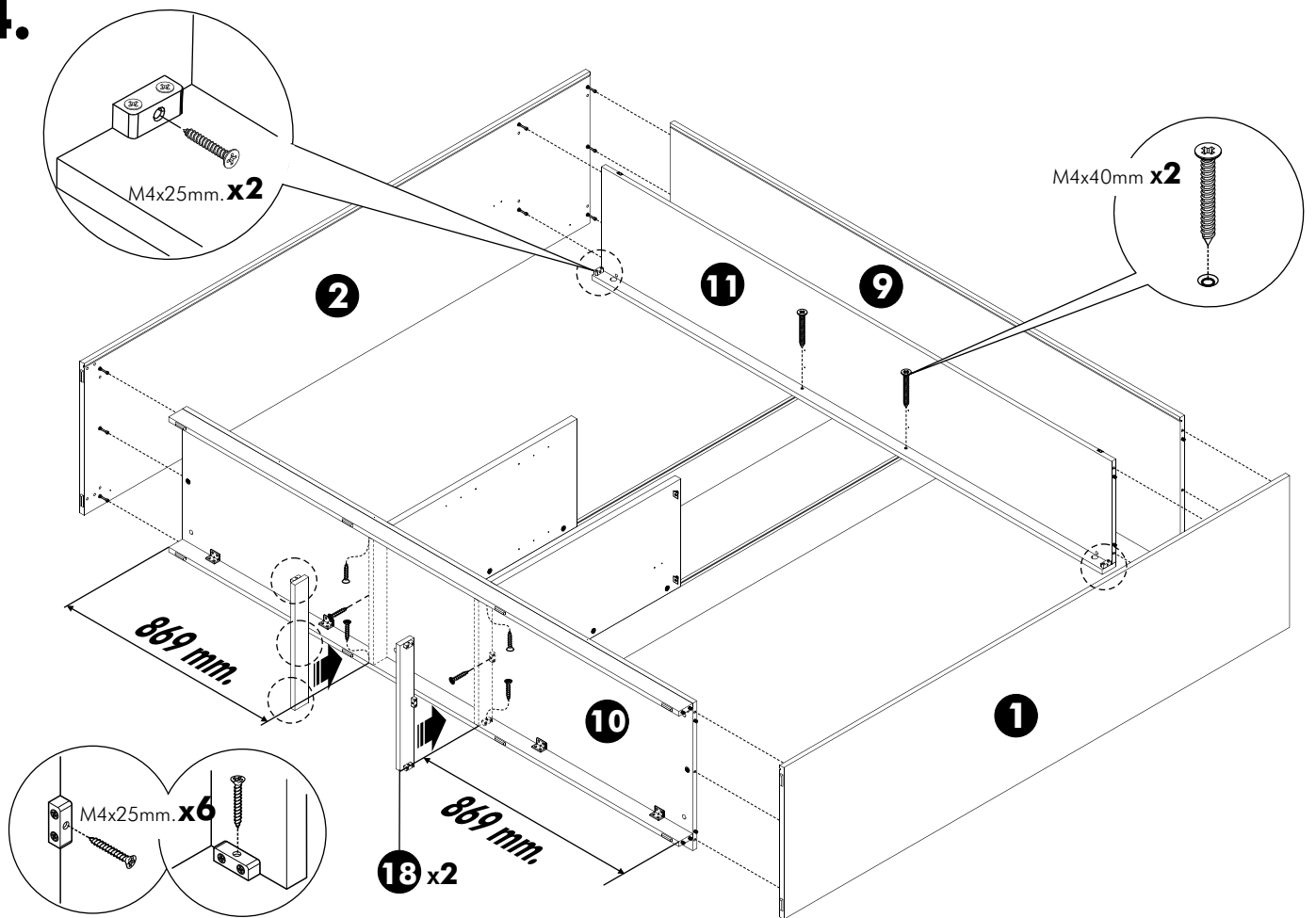
2.



3.

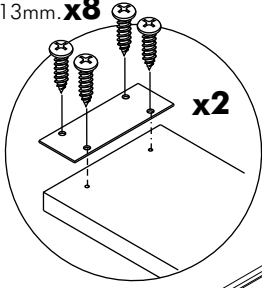


4.



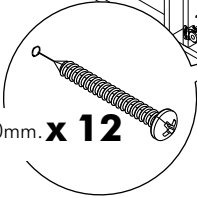
5.

M4x13mm. **x8**



19x4

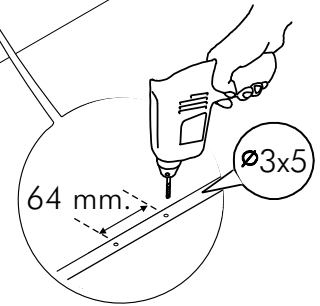
M4x30mm. **x 12**



1130 mm.

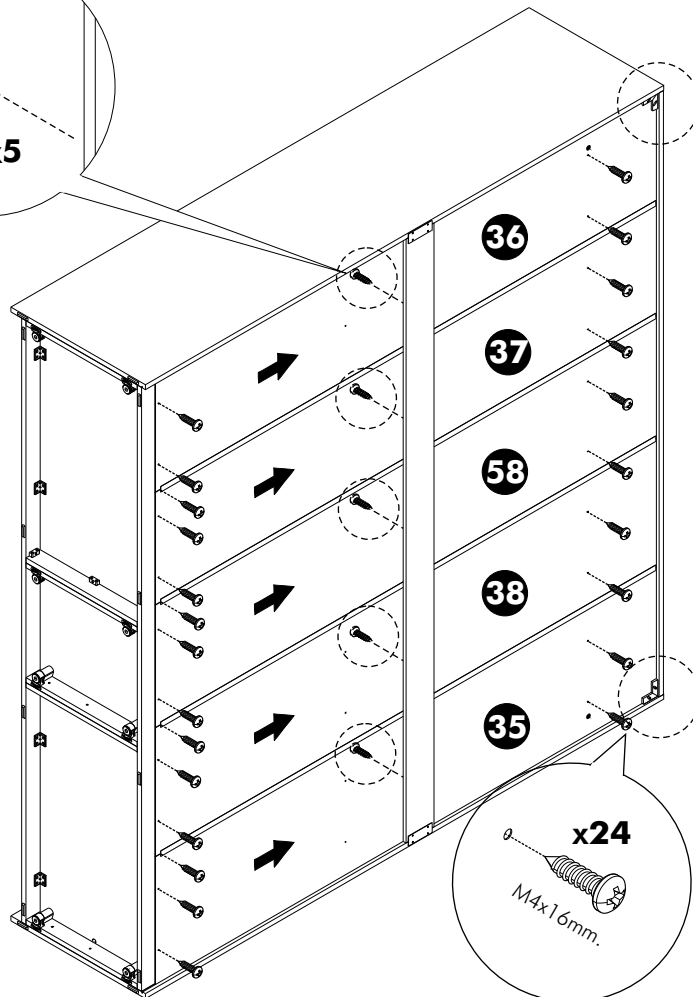
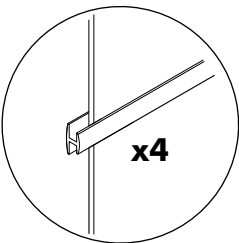
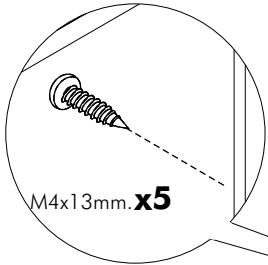
64 mm.

Ø3x5



6.

M4x13mm. **x5**



36

37

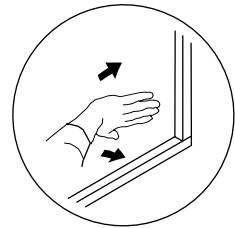
58

38

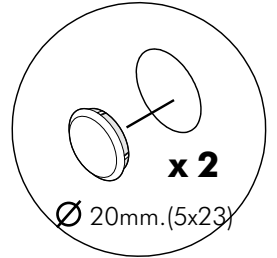
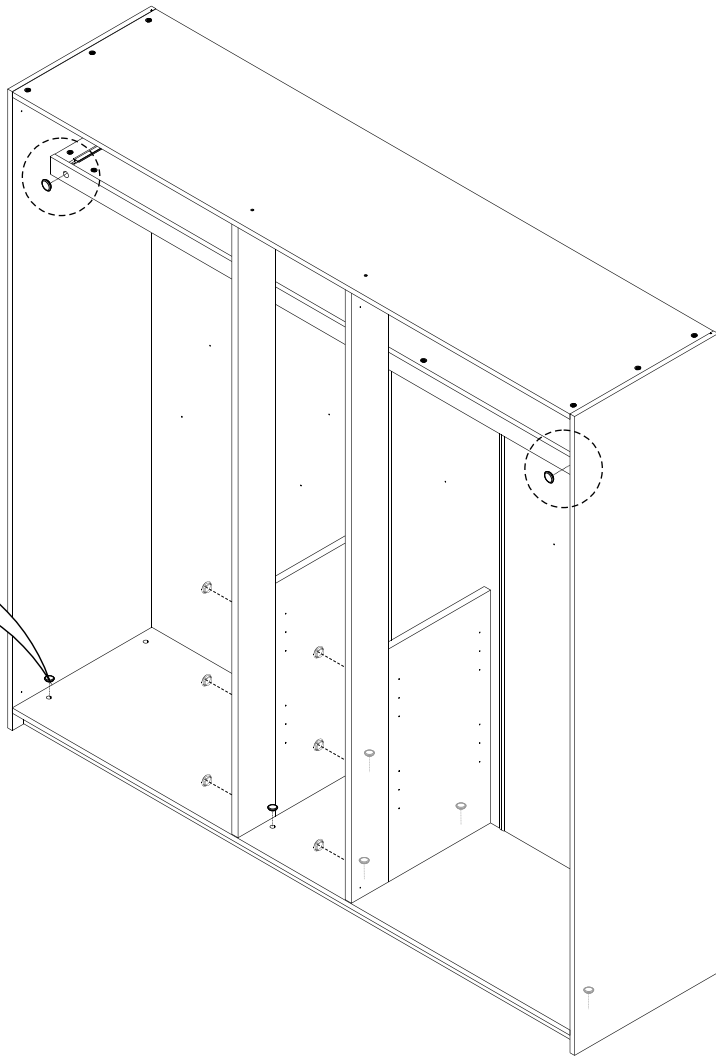
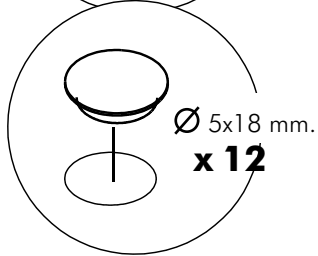
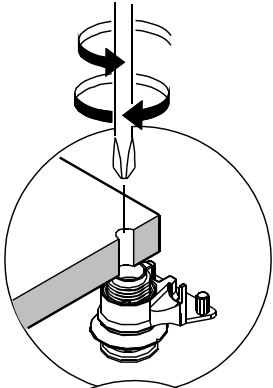
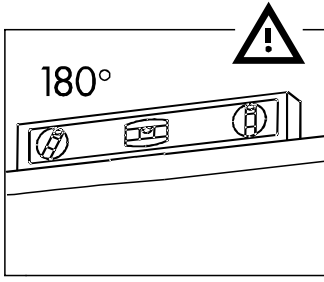
35

x24

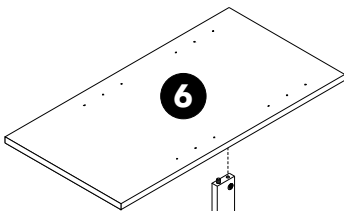
M4x16mm.



7.



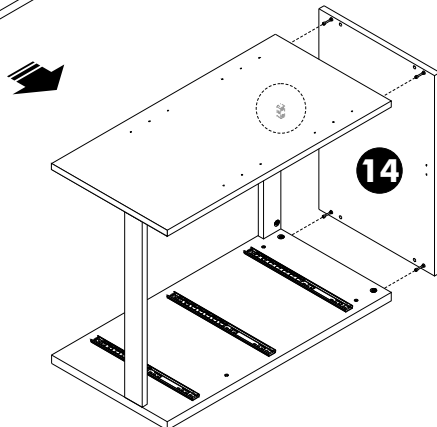
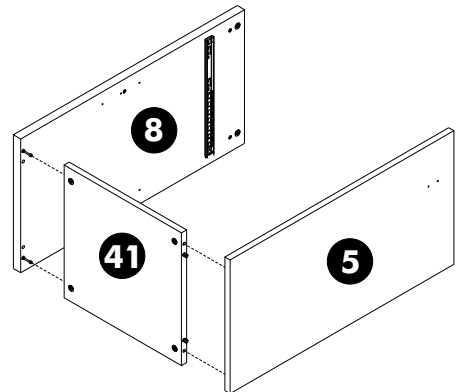
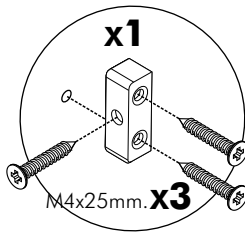
8.



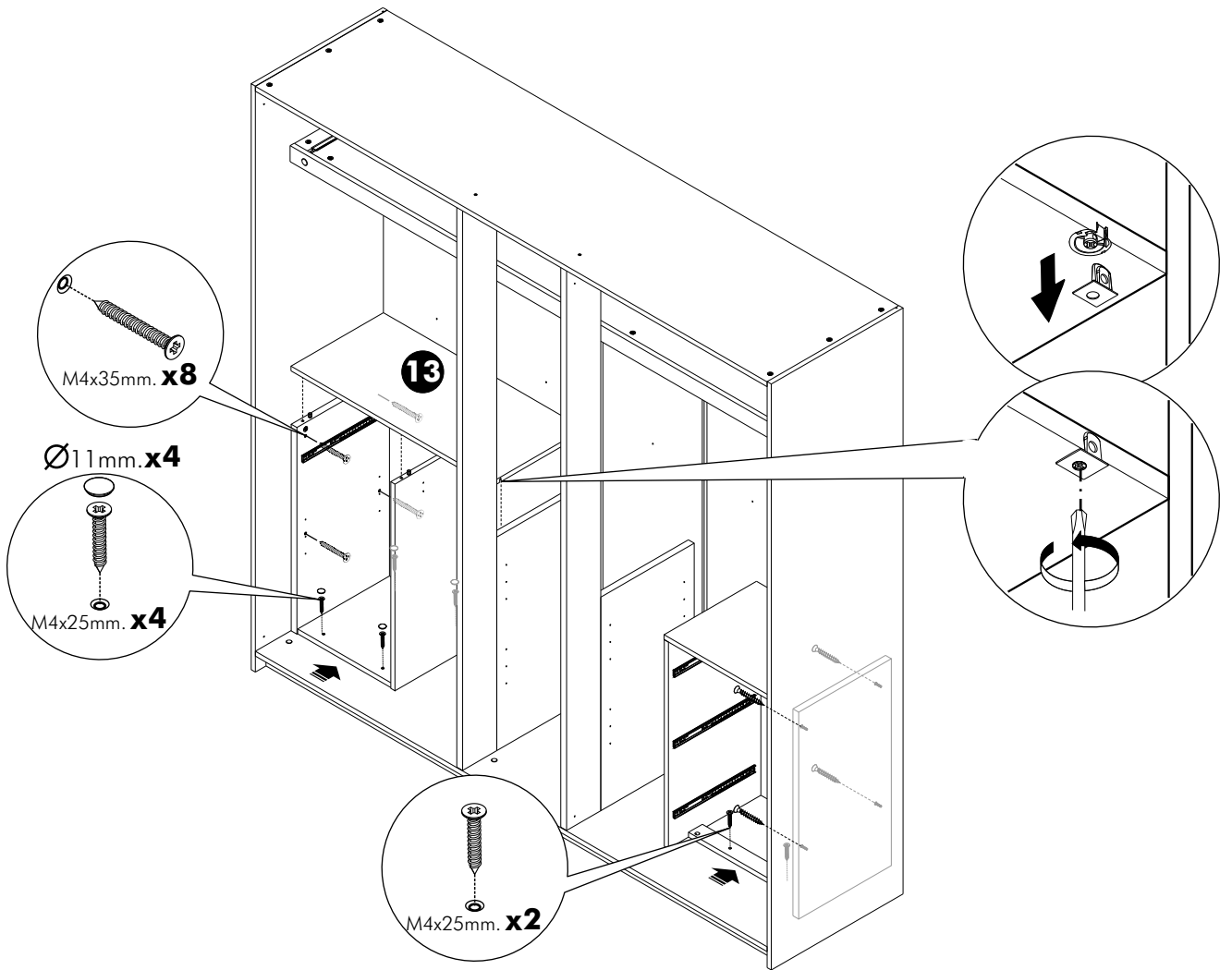
39

40

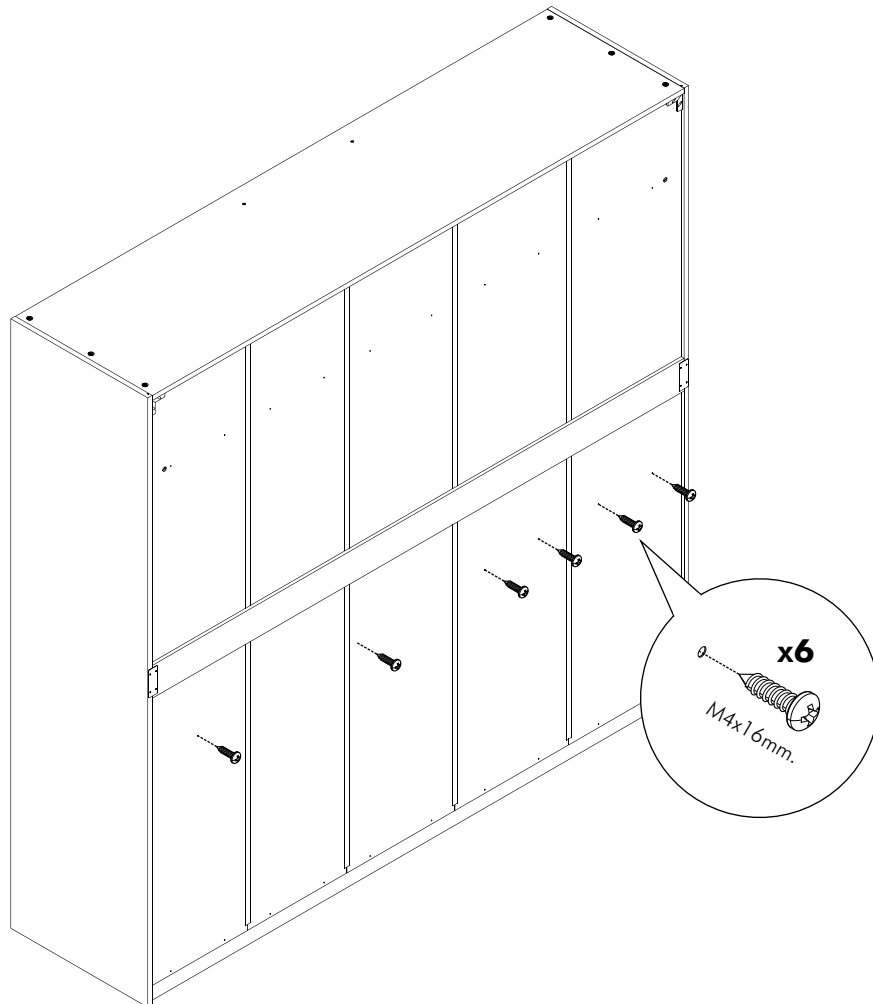
7



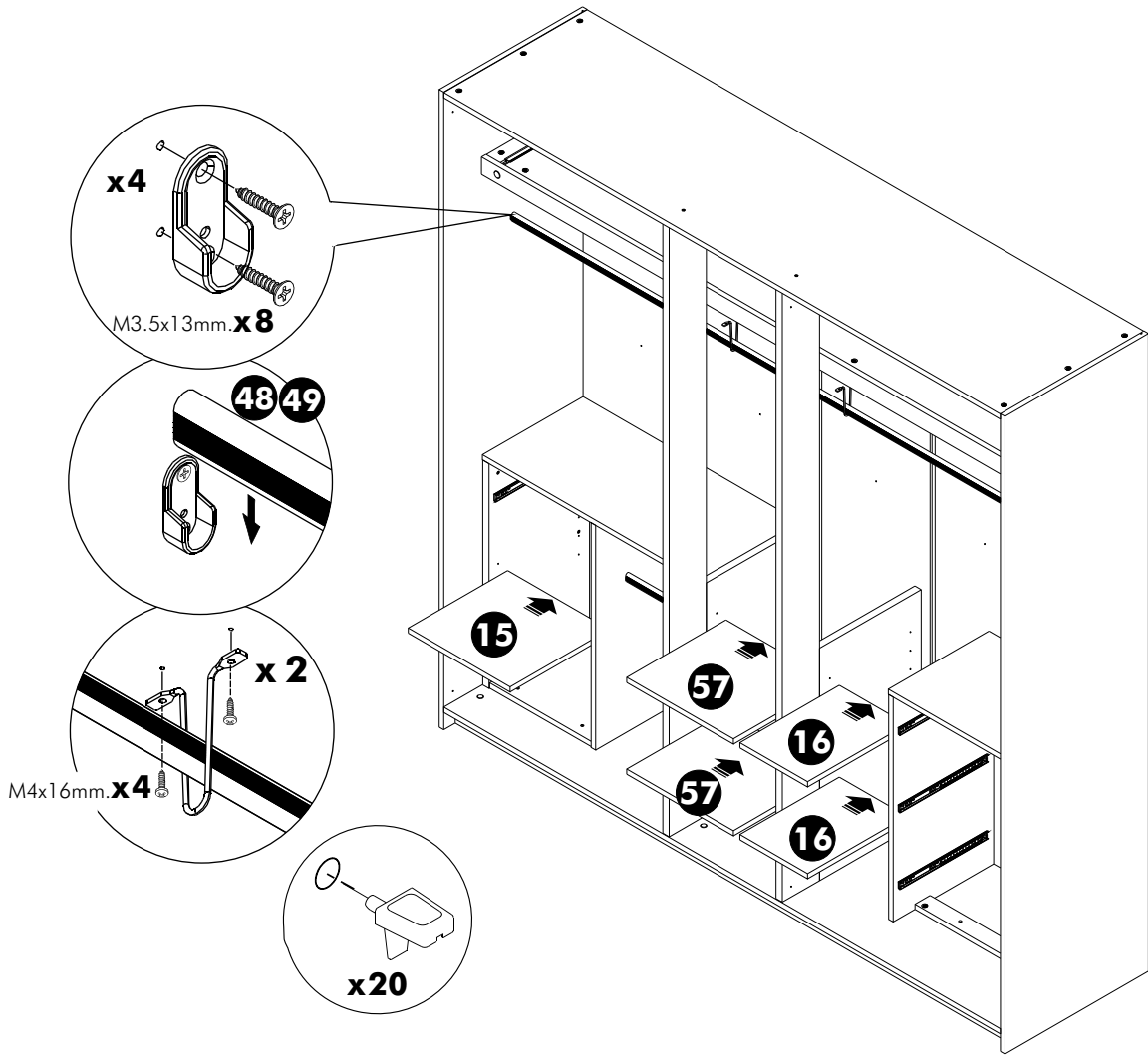
9.



10.

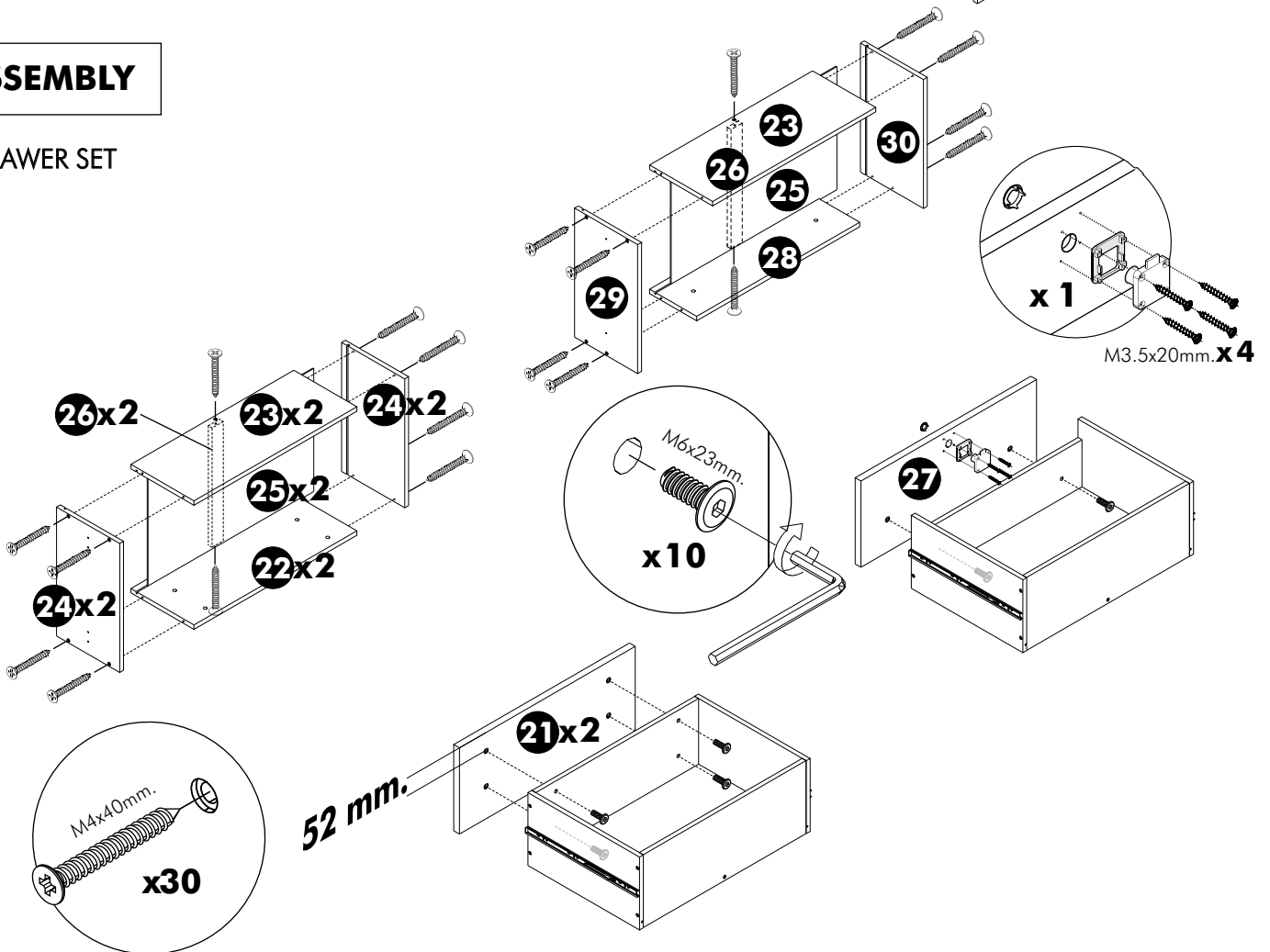


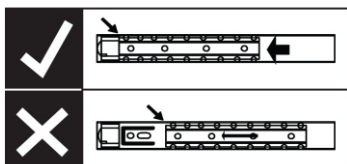
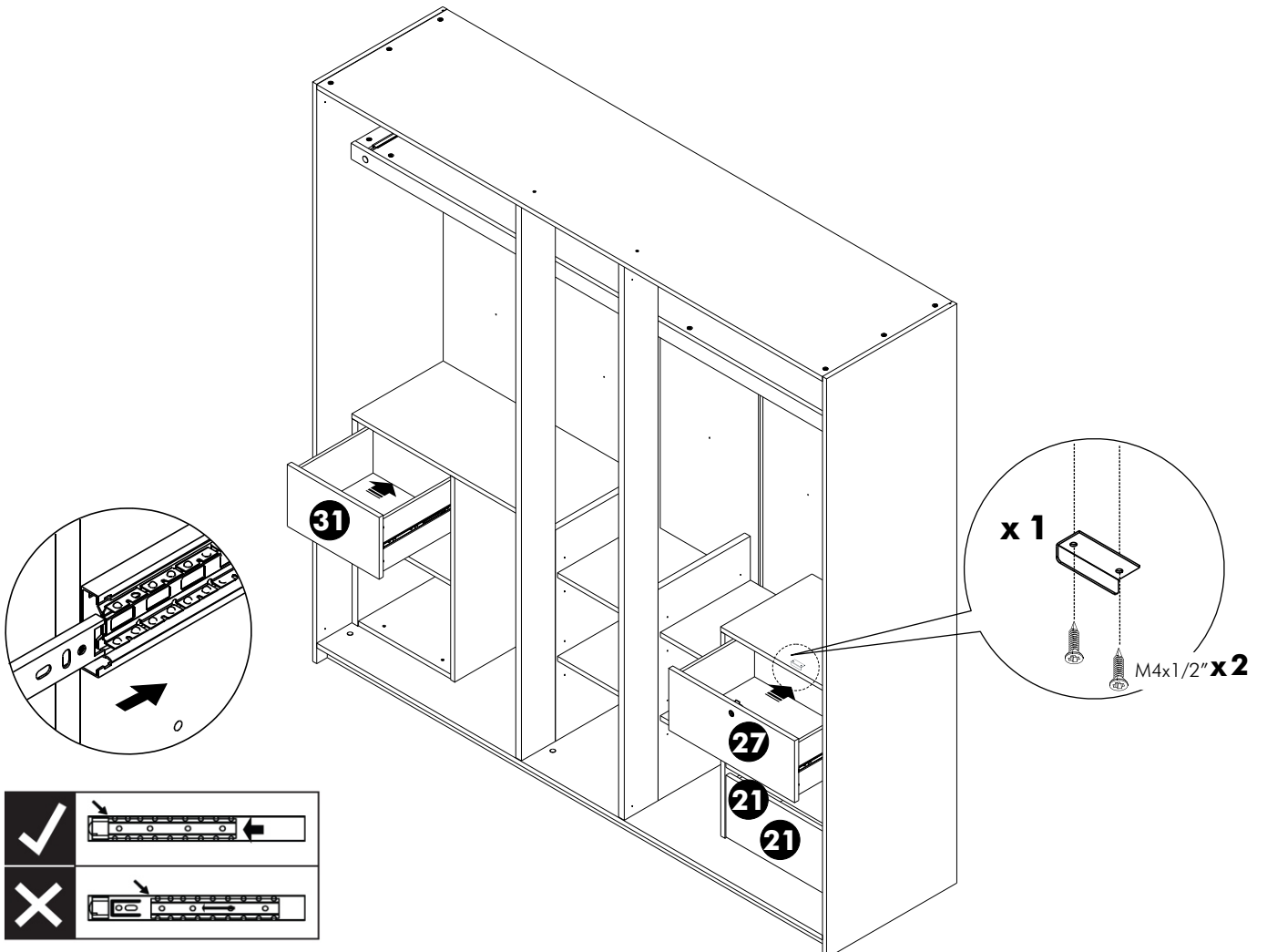
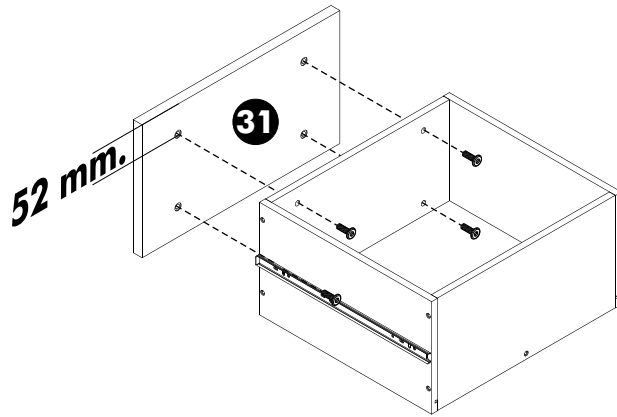
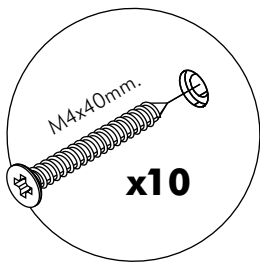
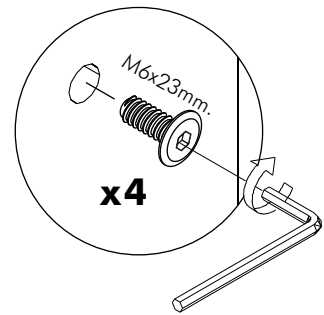
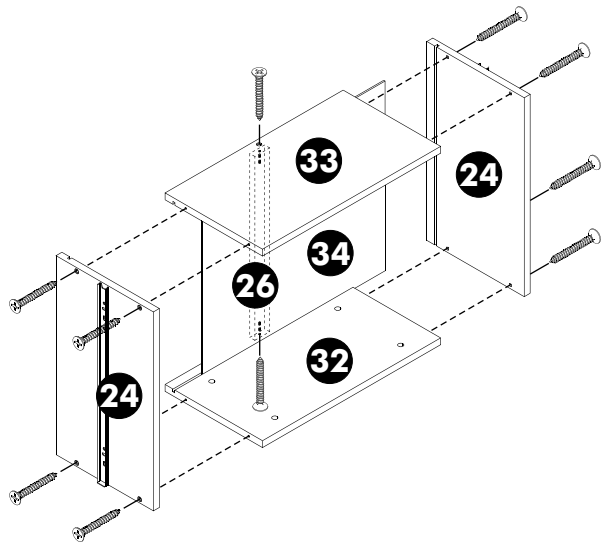
11.



ASSEMBLY

-DRAWER SET





ASSEMBLY

-DOOR SET

