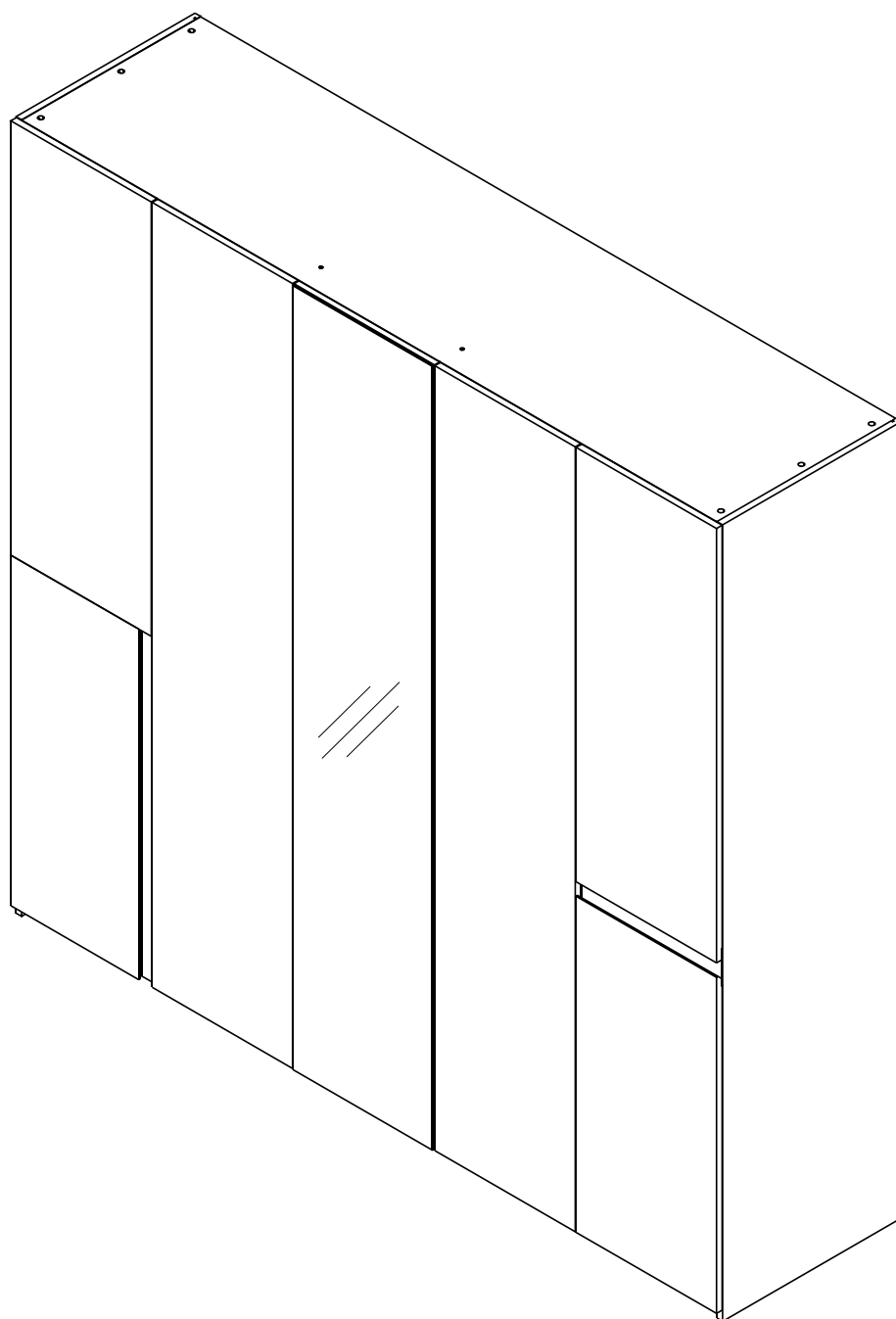
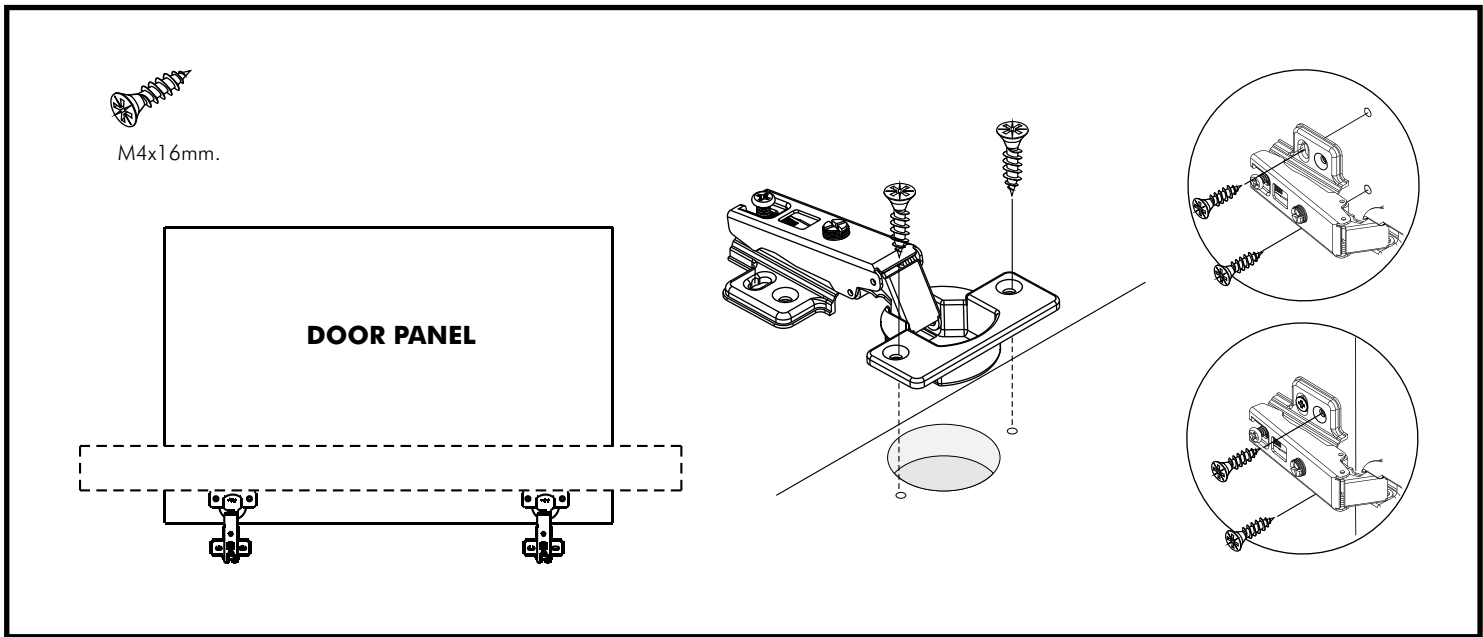
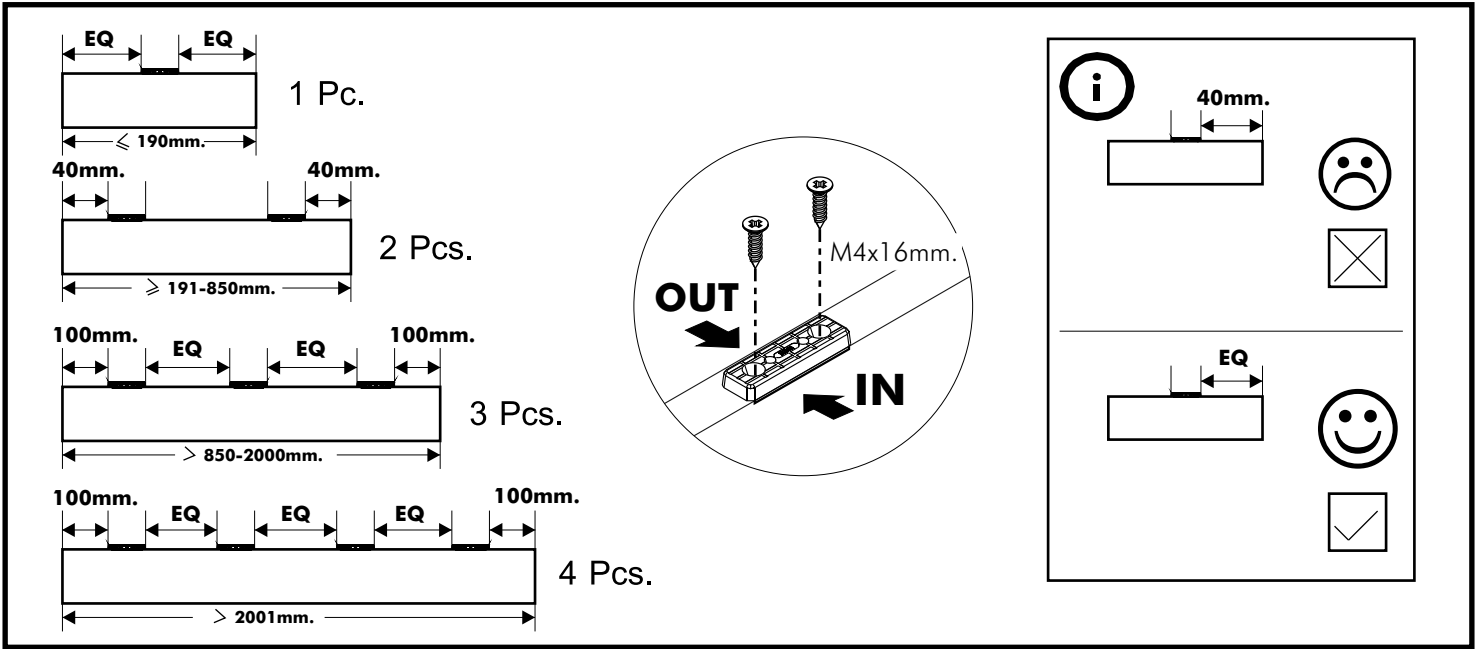
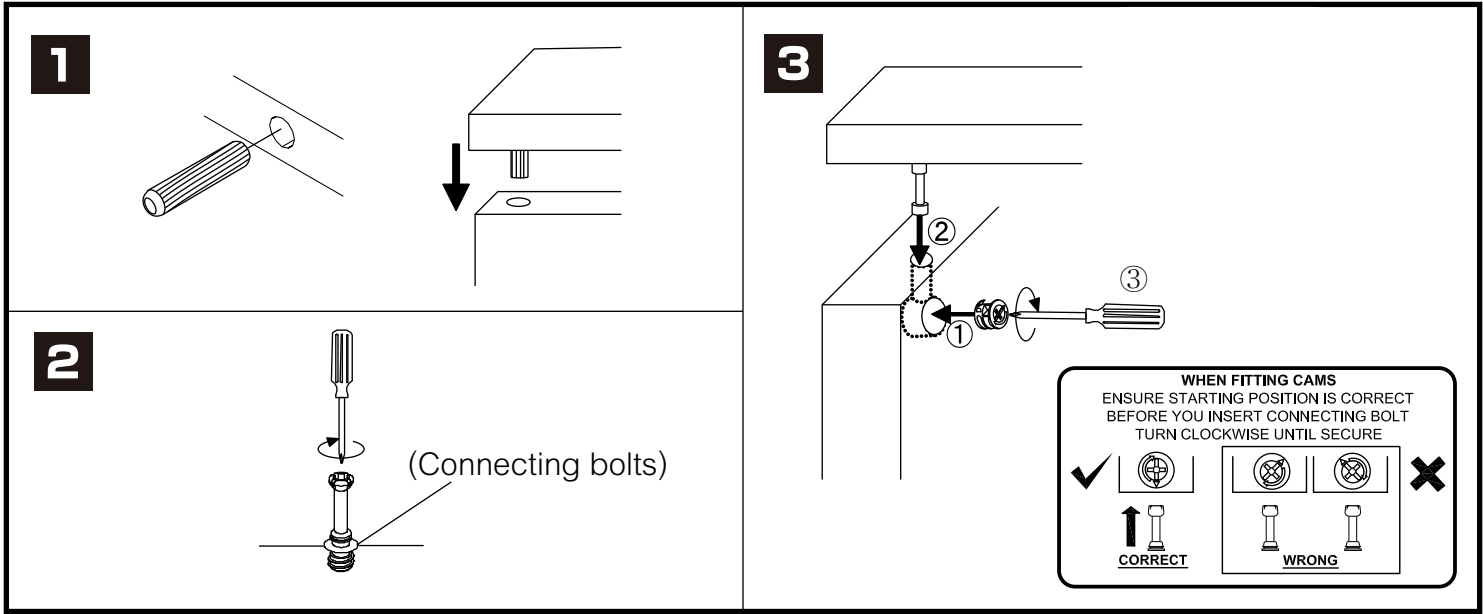


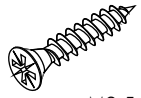
# PALLAZO

**Wardrobe 5 doors.**

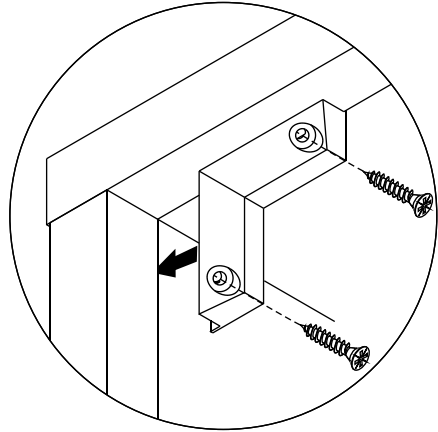
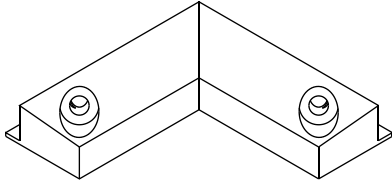


# CONNECT SYSTEM

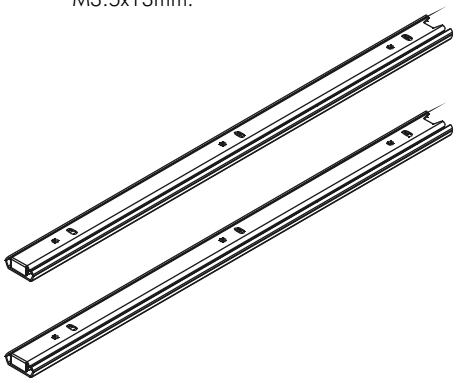




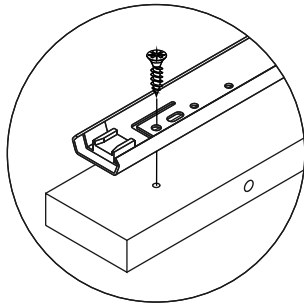
M3.5x20mm.



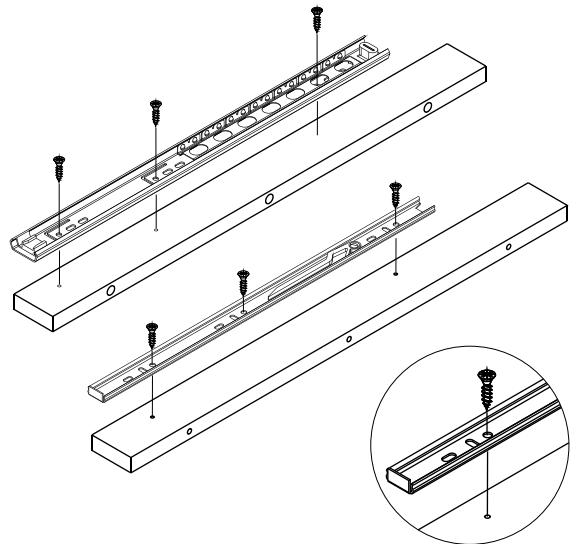
M3.5x13mm.



**1**

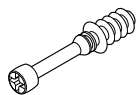


**2**



# HARDWARE

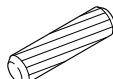
## -BODY SET



**x 42**

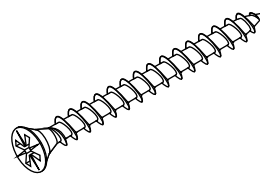


**x 42**



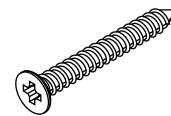
8x35mm.

**x 60**



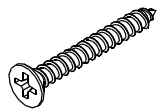
M4x50mm.

**x 8**



M4x40mm.

**x 2**

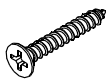


M4x35mm.

**x 8**



**x 9**



M4x25mm.

**x 33**



Ø 20mm.(5x23)

**x 2**



**x 4**



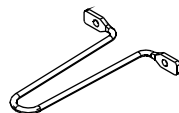
M3.5x13mm.

**x 8**



M4x16mm.

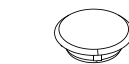
**x 51**



**x 2**

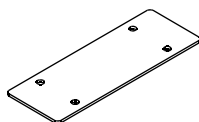


**x 20**

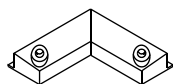


Ø 5x18 mm.

**x 12**



**x 2**

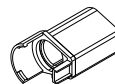


**x 2**

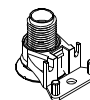


M3.5x20mm.

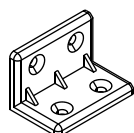
**x 4**



**x 8**



**x 8**

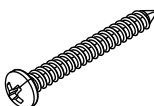


**x 8**



M4x16mm.

**x 66**



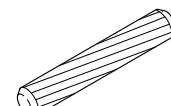
M4x30mm.

**x 12**



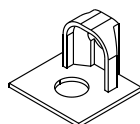
Ø11mm.

**x 4**



8x50mm.

**x 3**

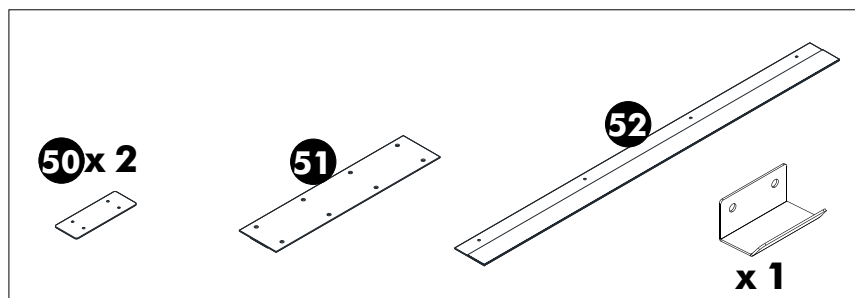


**x 2**



M4x13mm.

**x 13**



**50x 2**

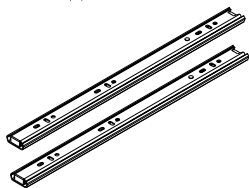
**51**

**52**

**x 1**

**x 12**

## -DRAWER SET

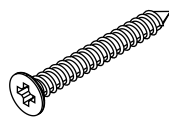


**x 4**



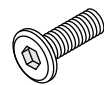
M3.5x13mm.

**x 48**



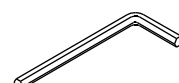
M4x40mm.

**x 40**

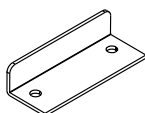


TFL4 M6x23

**x 14**



**x 1**

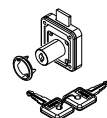


**x 1**



M4x1/2"

**x 2**



**x 1**

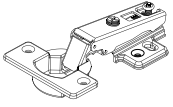


M3.5x20mm.

**x 4**

# HARDWARE

-DOOR SET



**x 20**



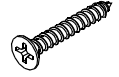
M4x16mm.  
**x 120**



M3.5x13mm.(BLACK)  
**x 20**



**x 10**

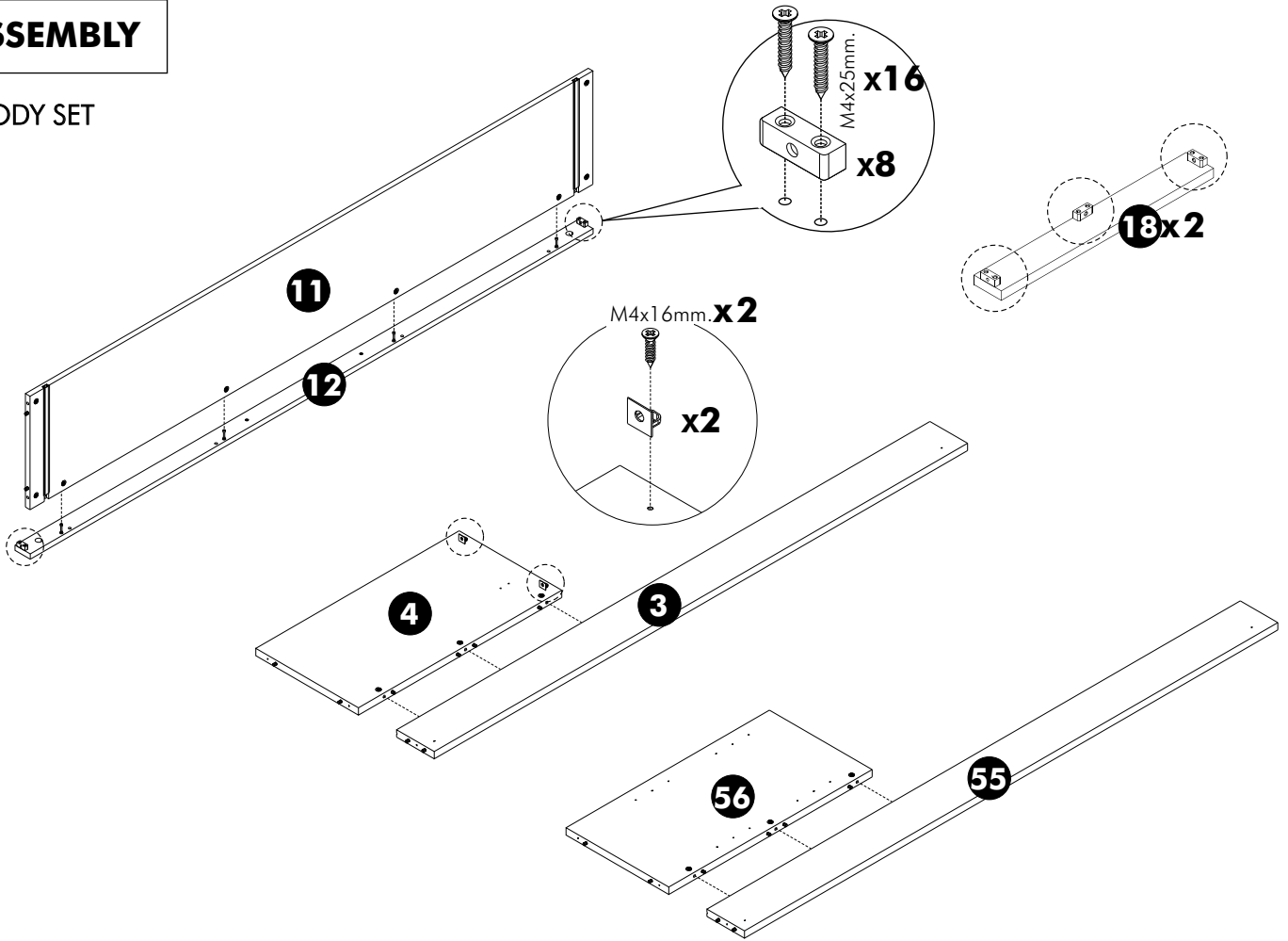


M4x25mm.(BLACK)  
**x 30**

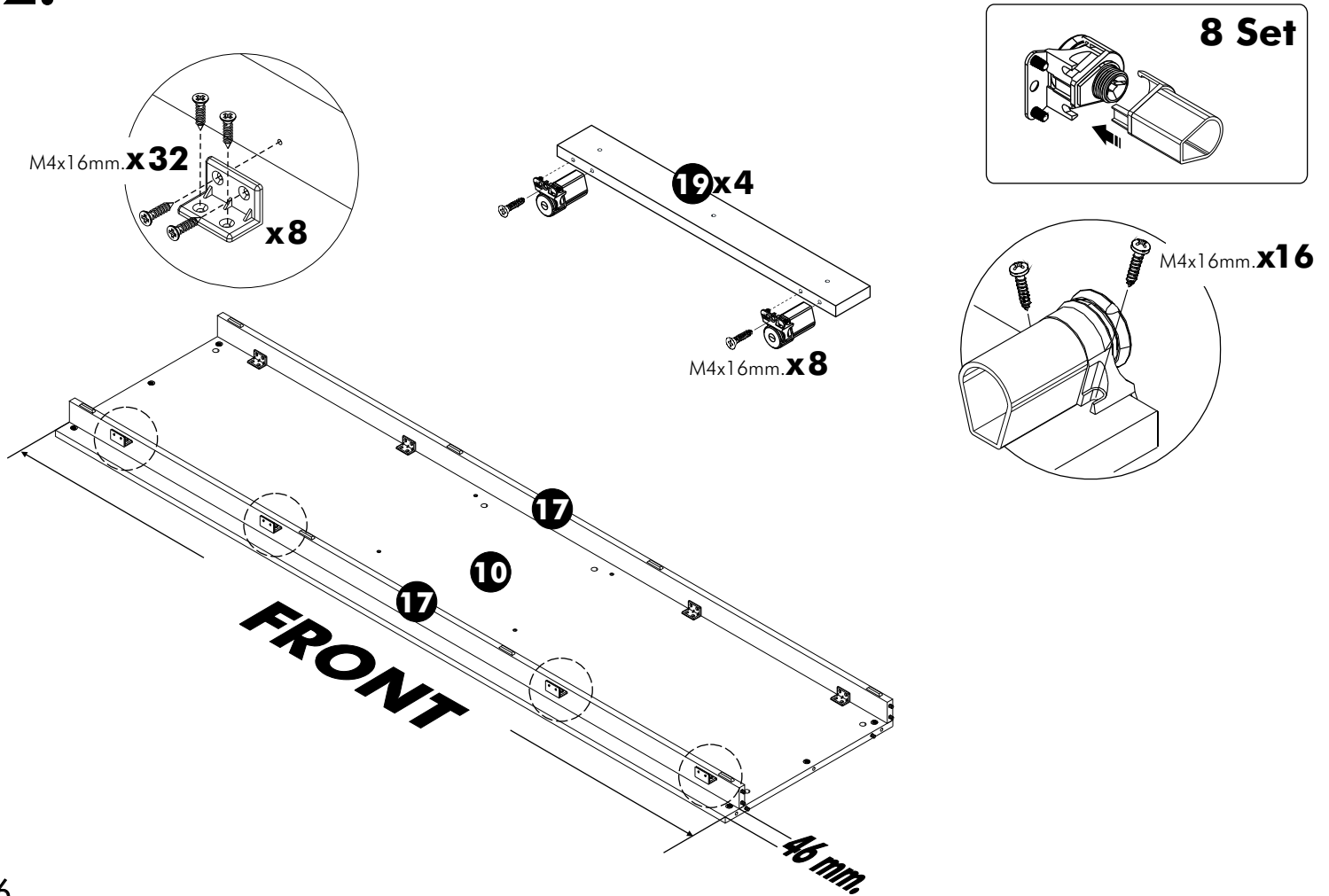
# ASSEMBLY

-BODY SET

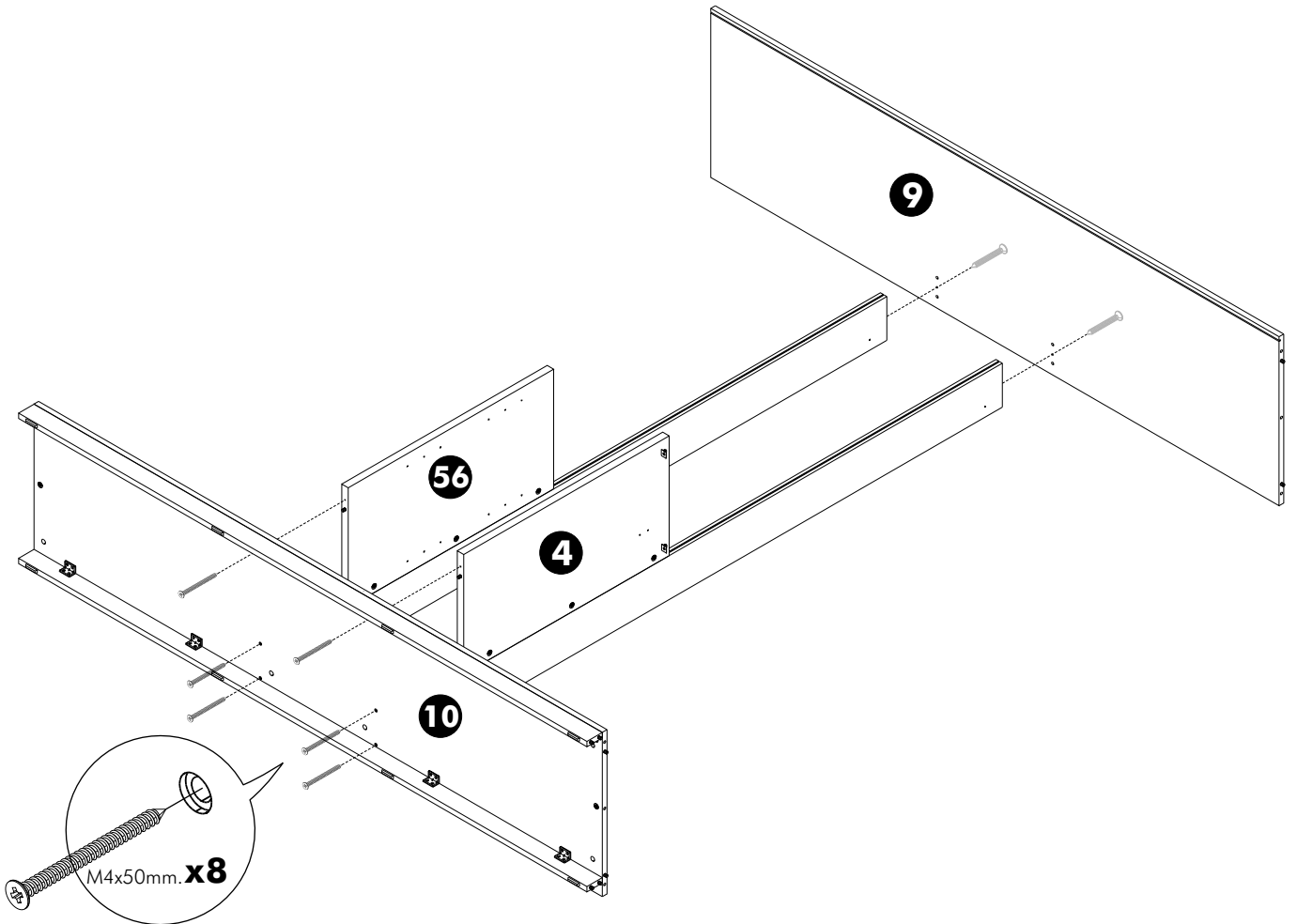
## 1.



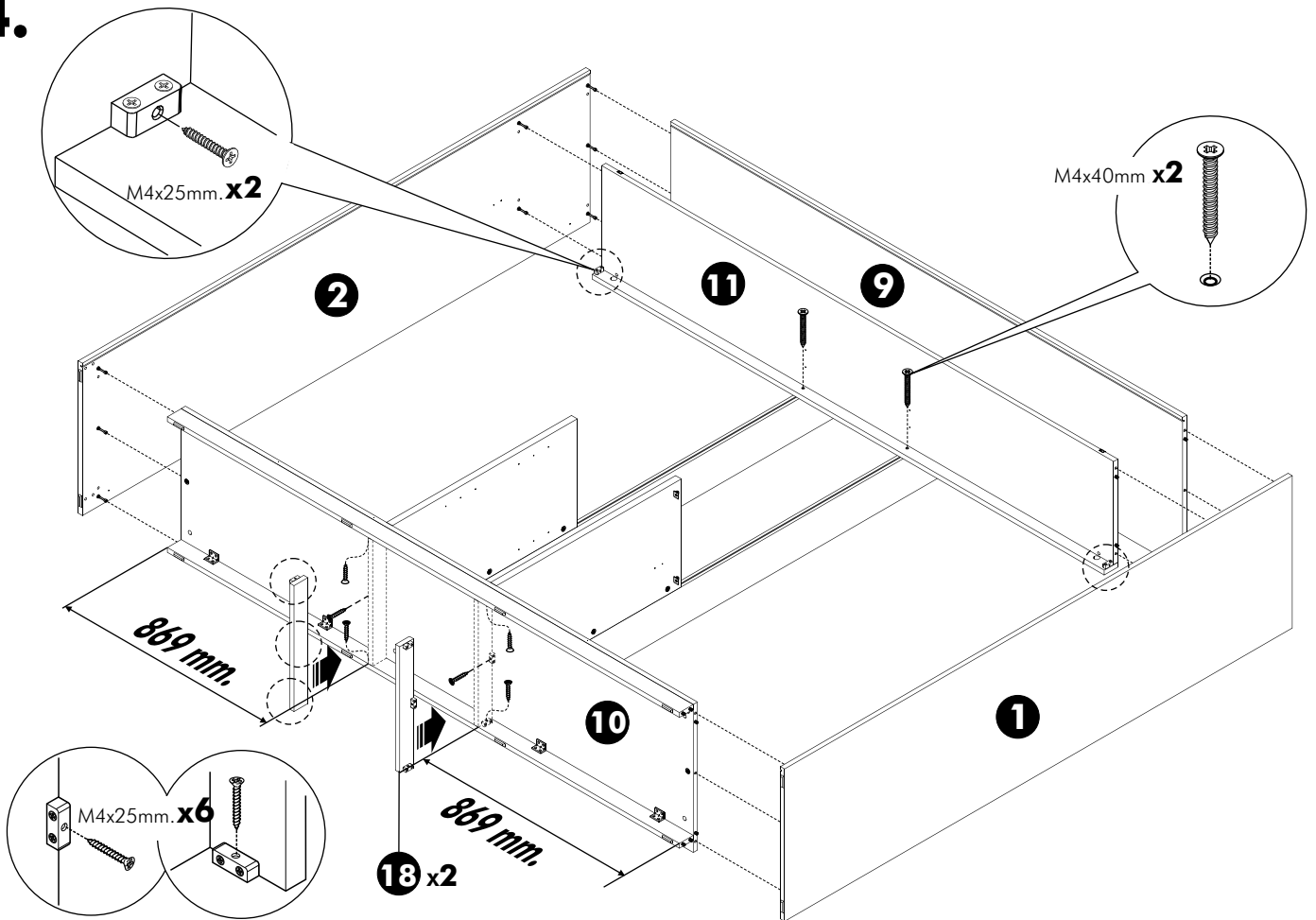
## 2.



**3.**

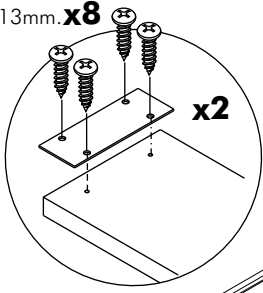


**4.**

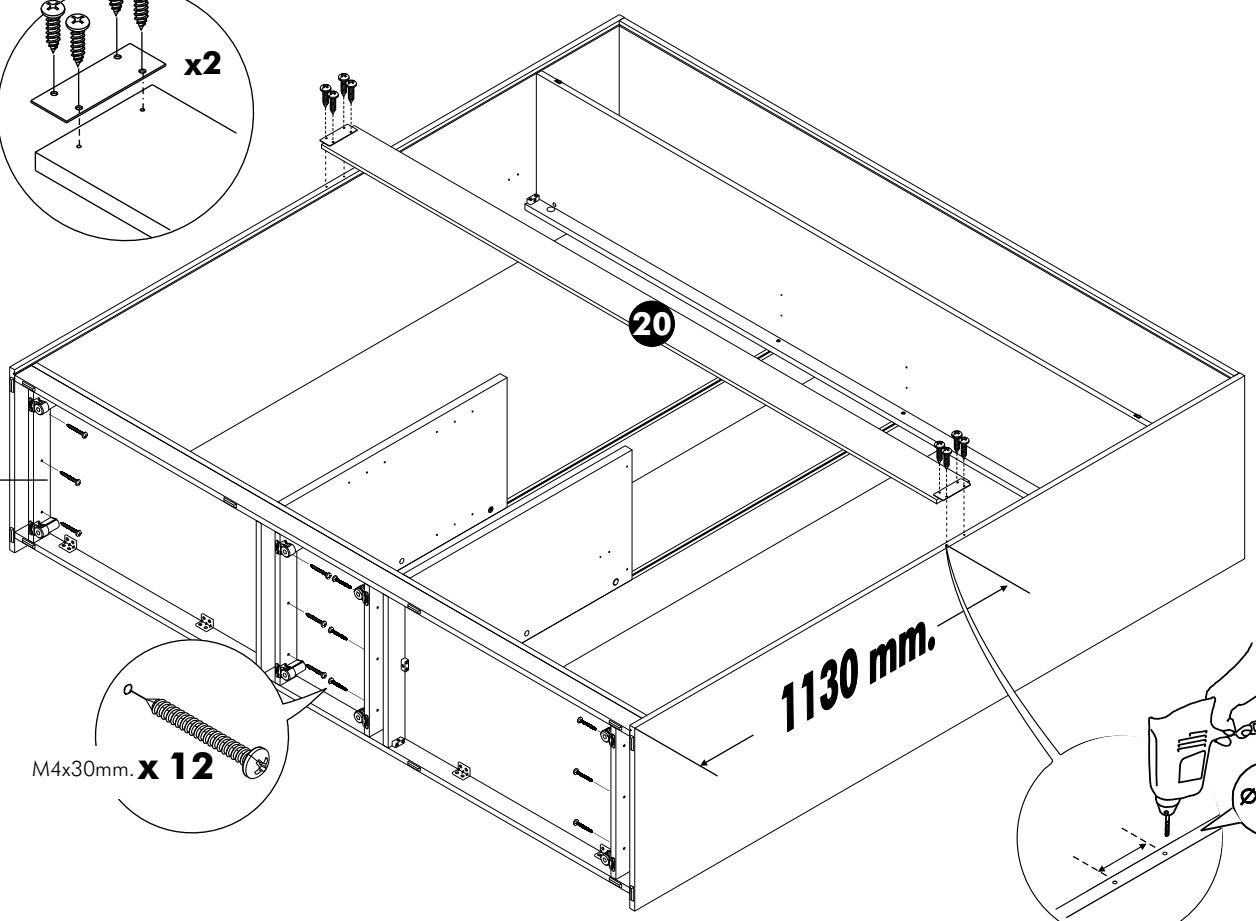


5.

M4x13mm. x8

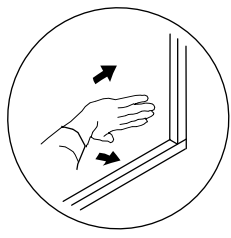
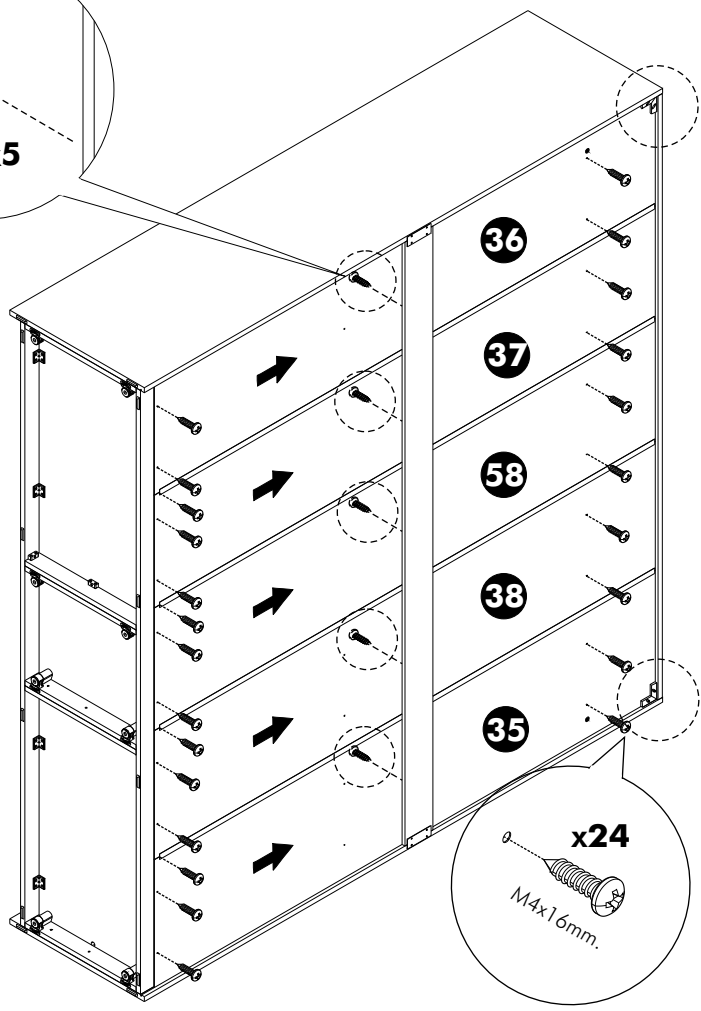
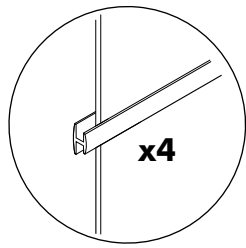
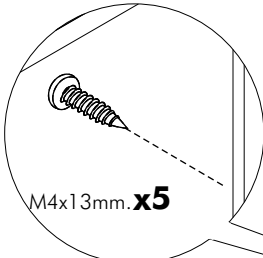


19x4

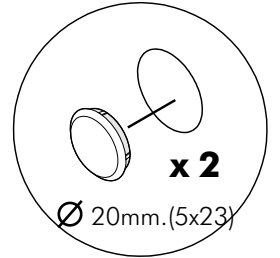
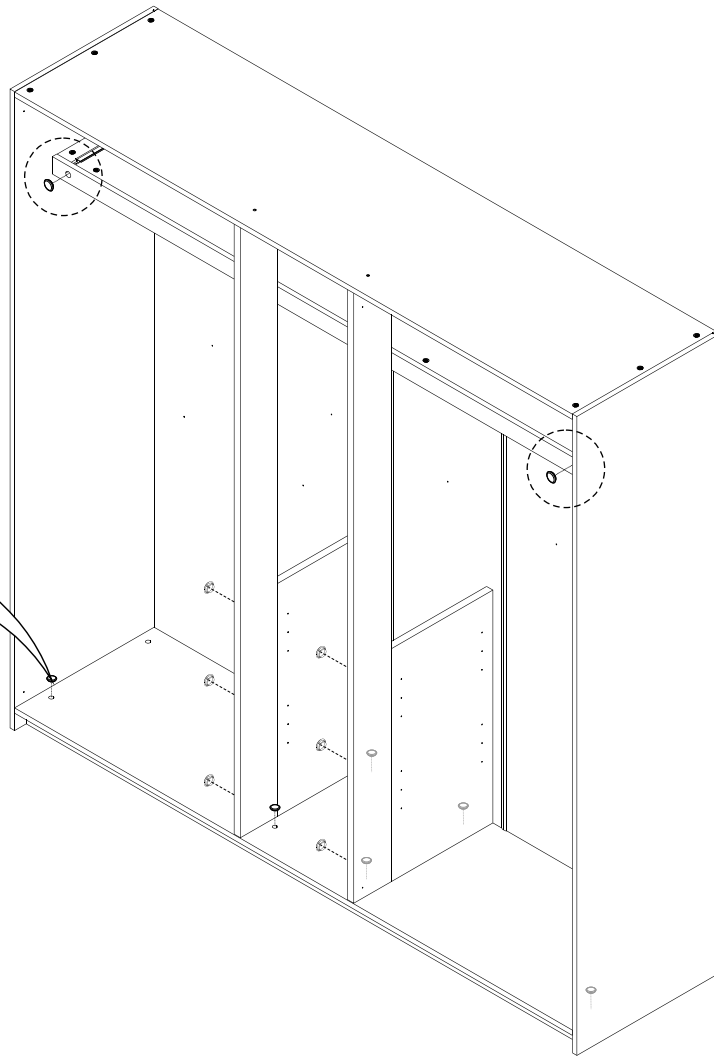
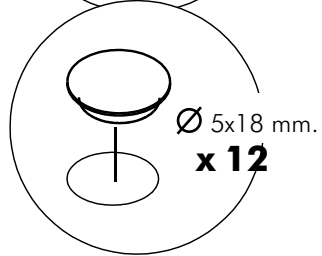
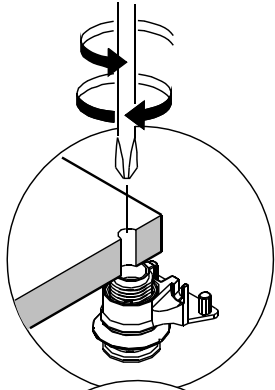
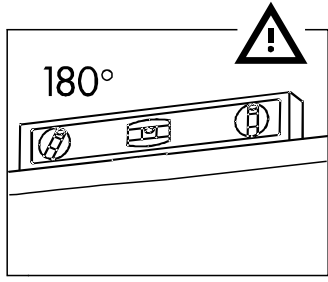


M4x30mm. x 12

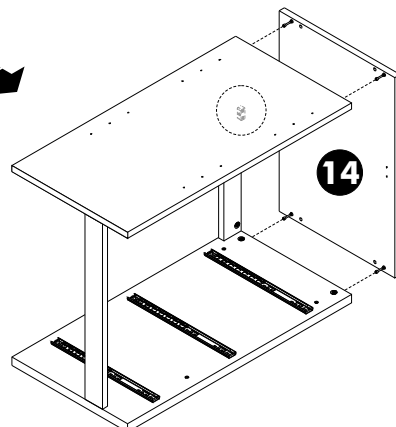
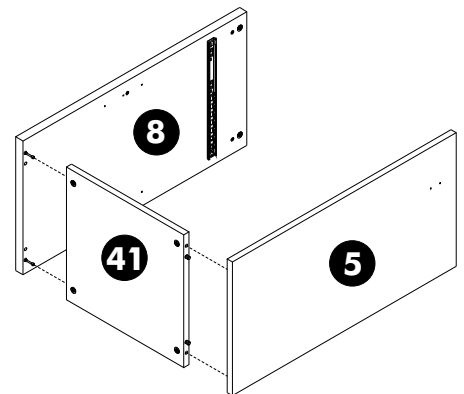
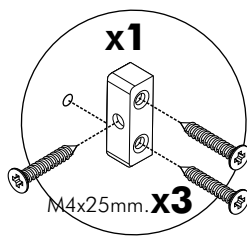
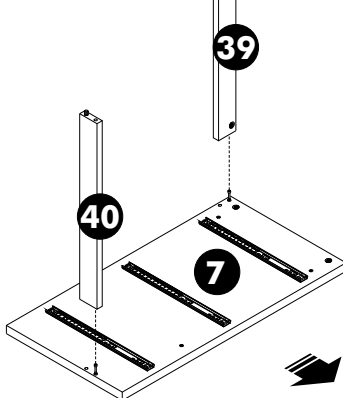
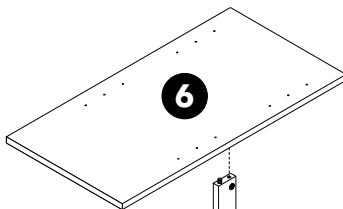
6.



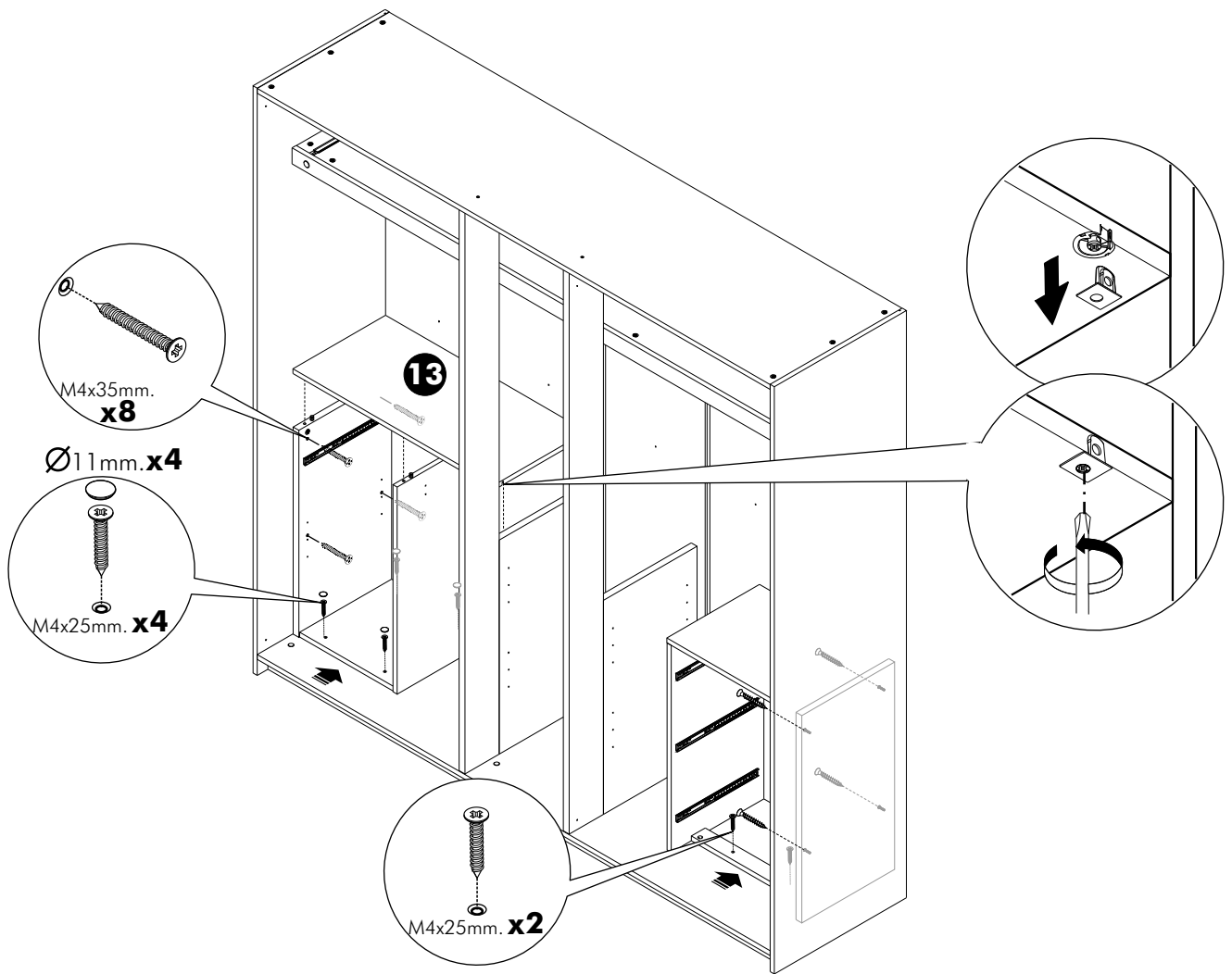
7.



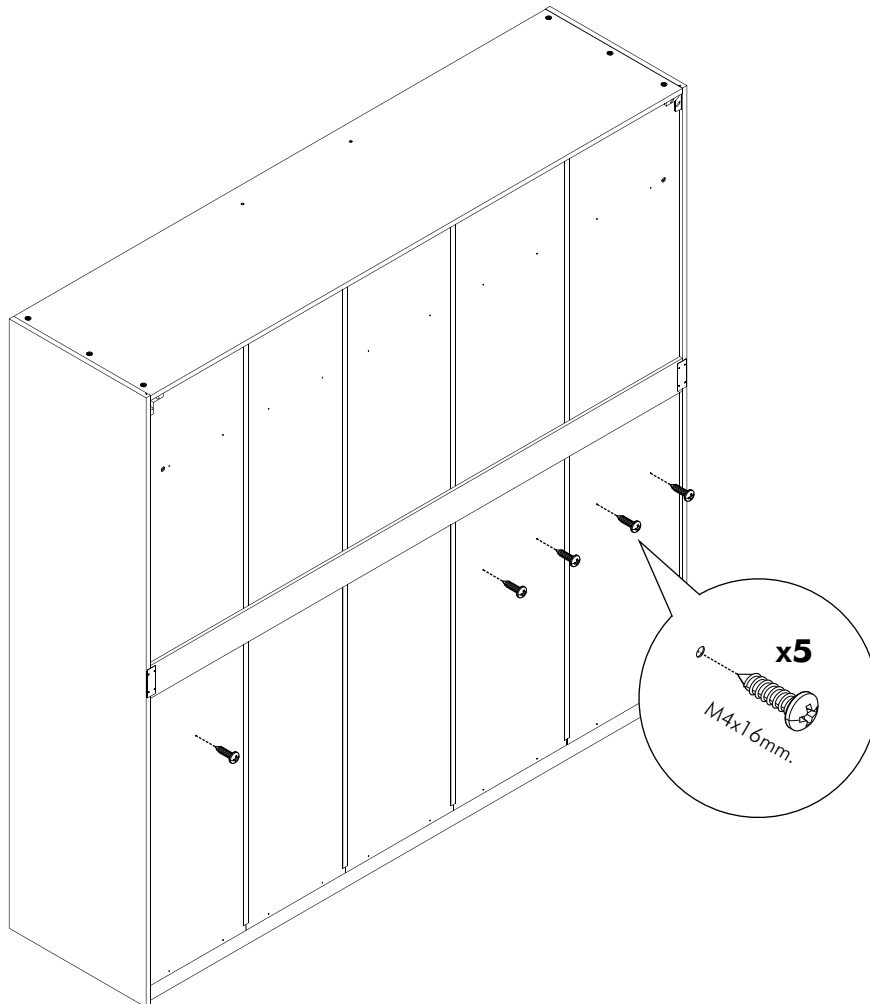
8.



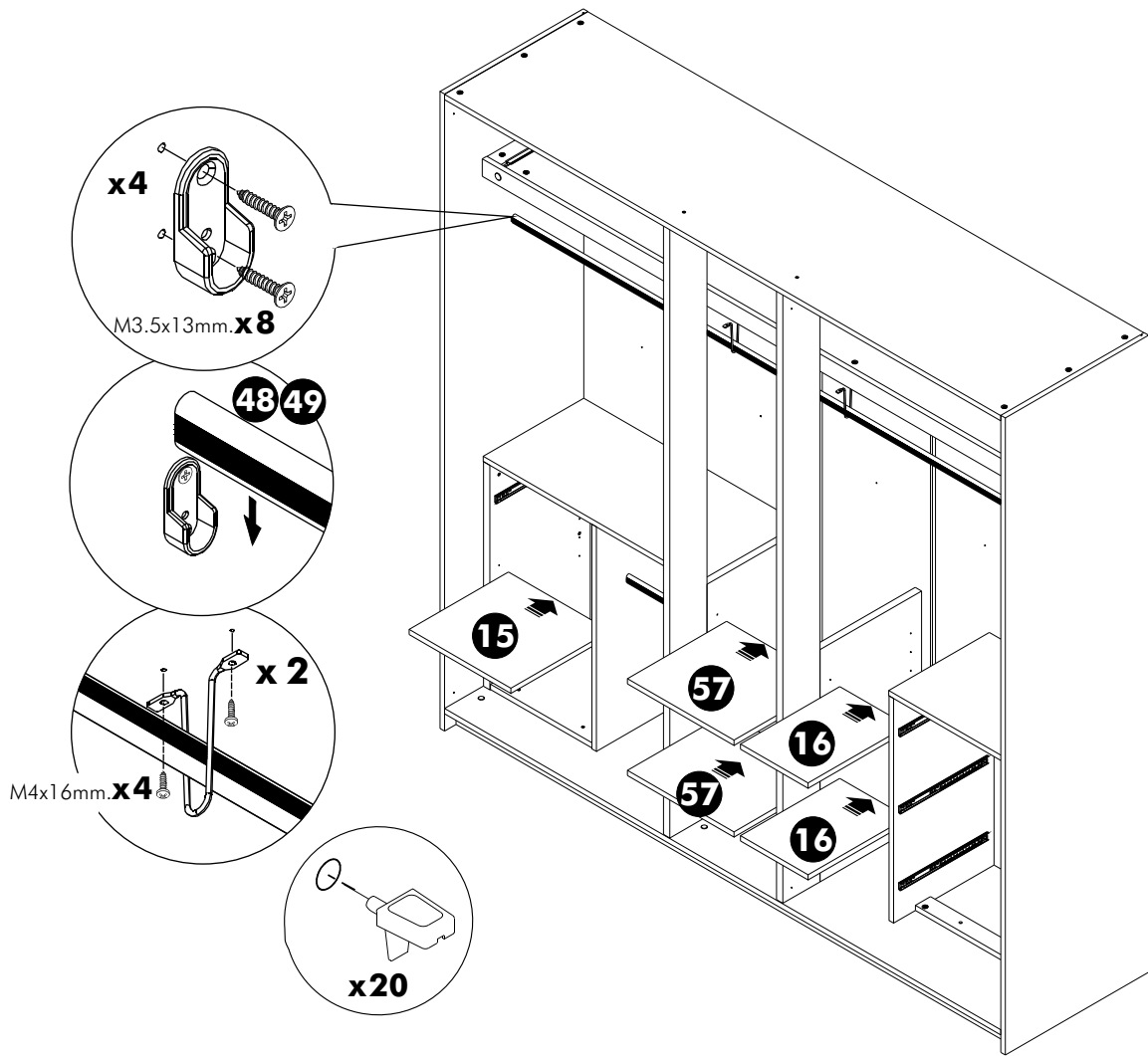
9.



10.

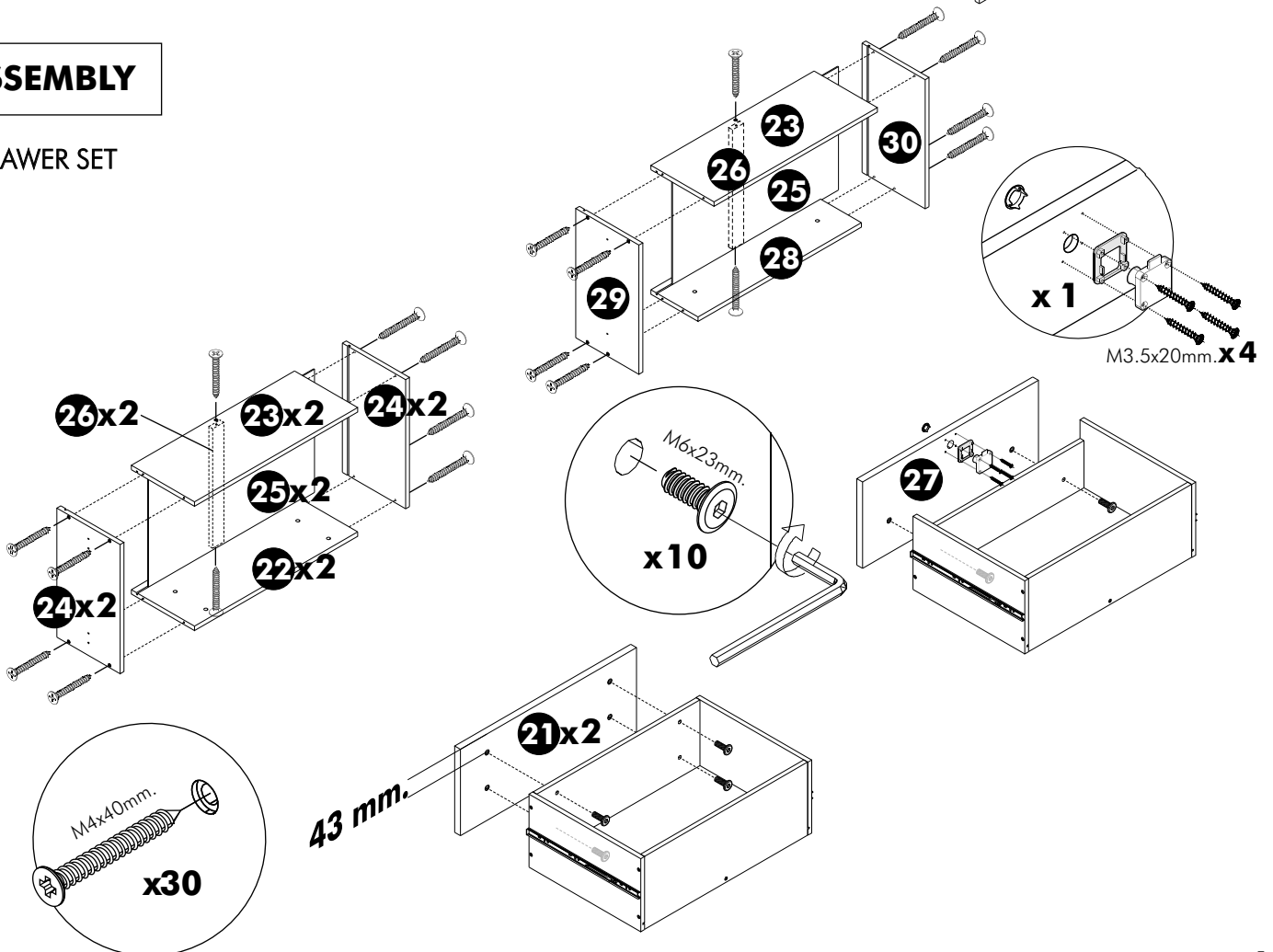


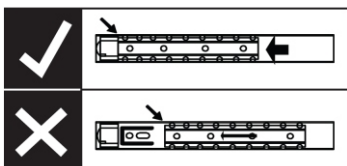
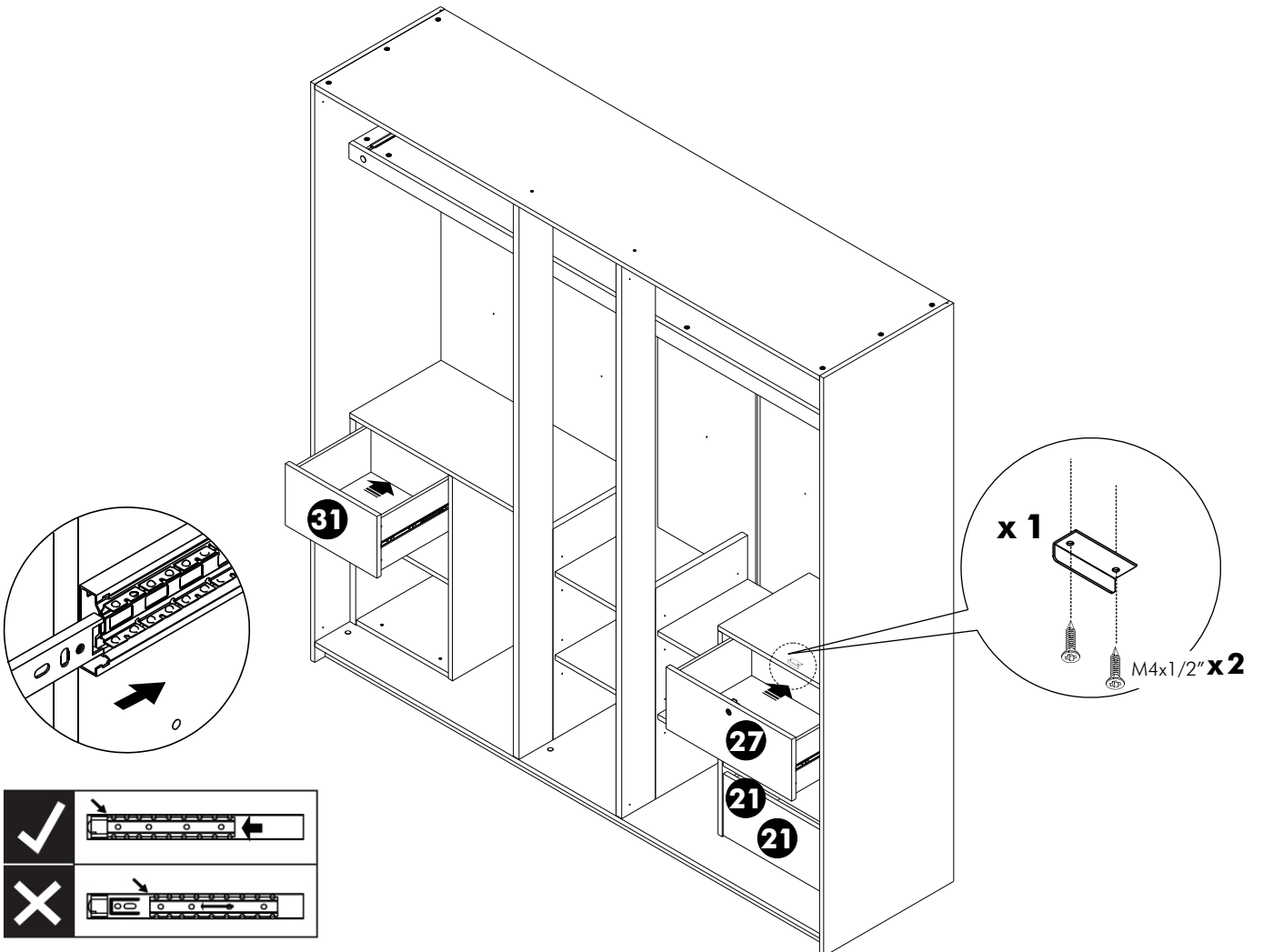
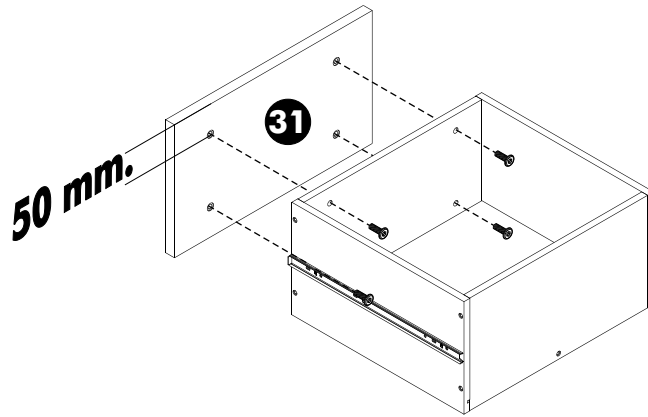
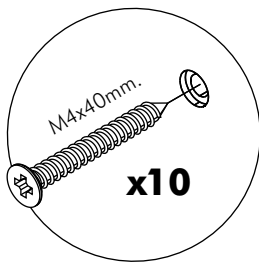
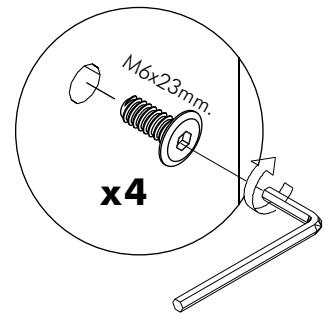
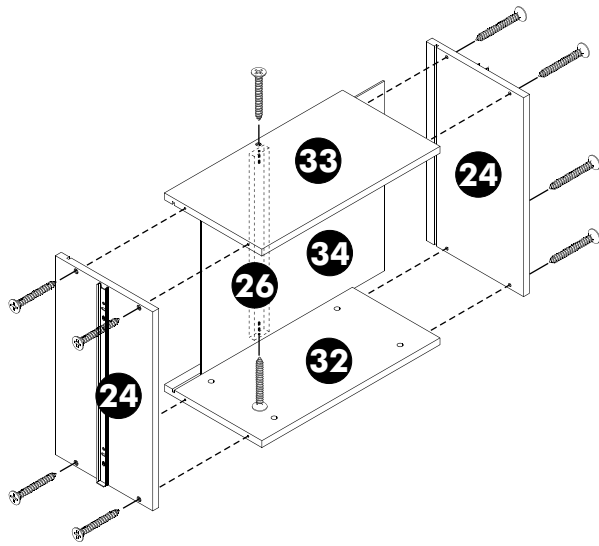
# 11.



## ASSEMBLY

-DRAWER SET





# ASSEMBLY

-DOOR SET

