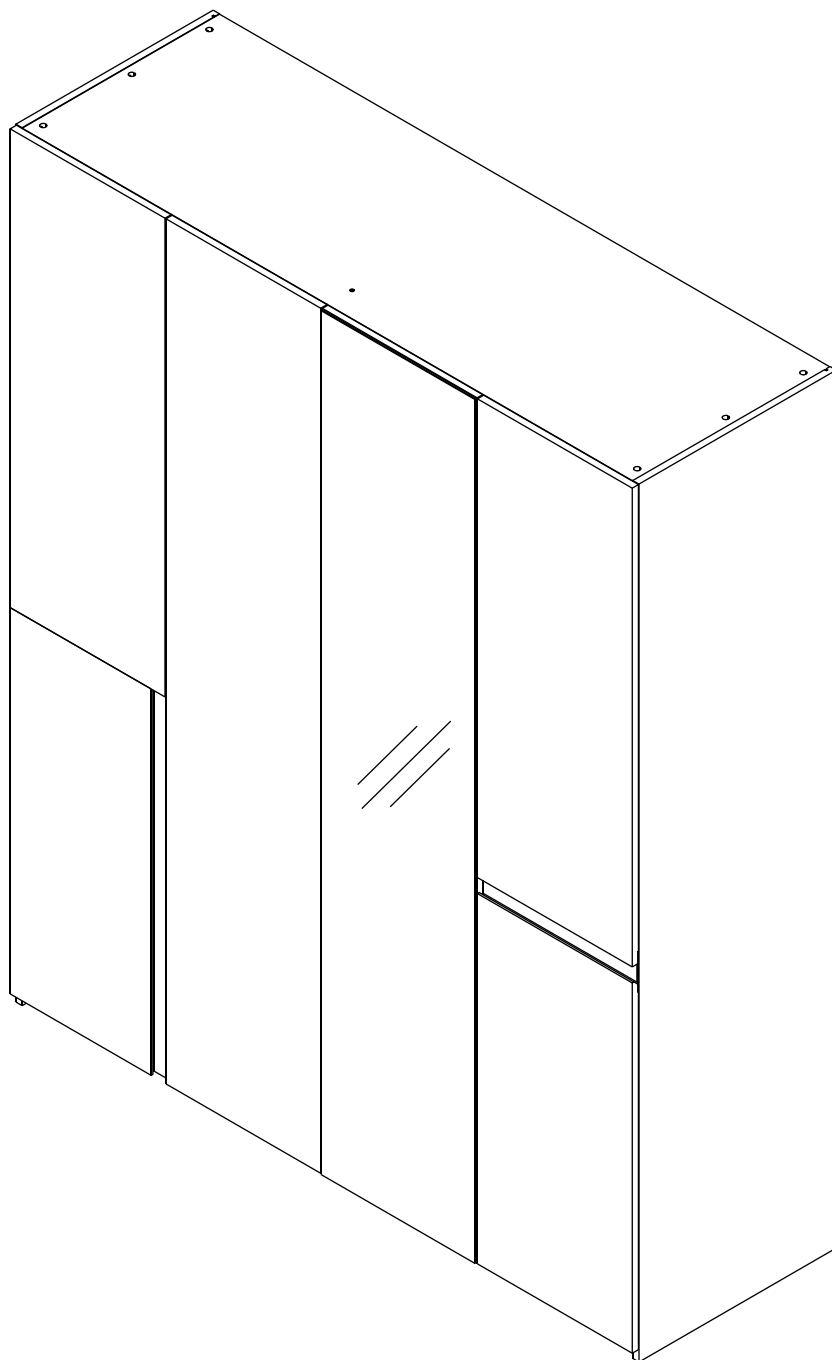
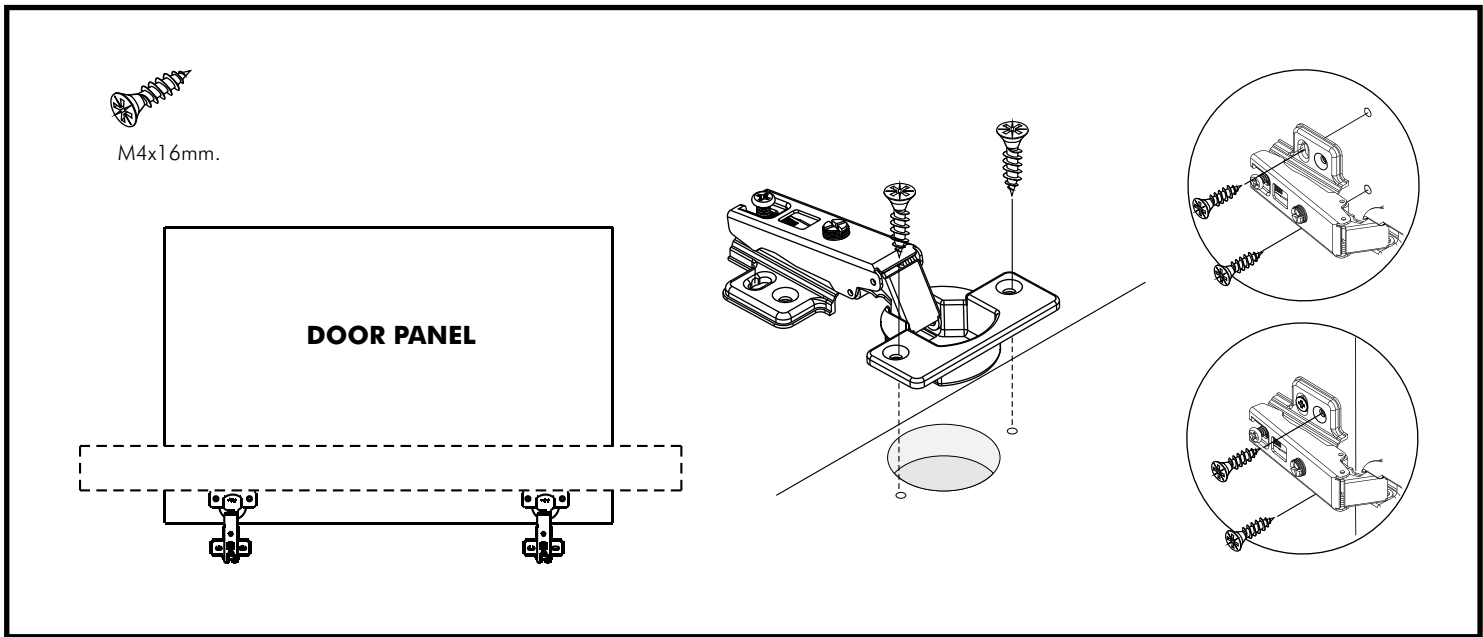
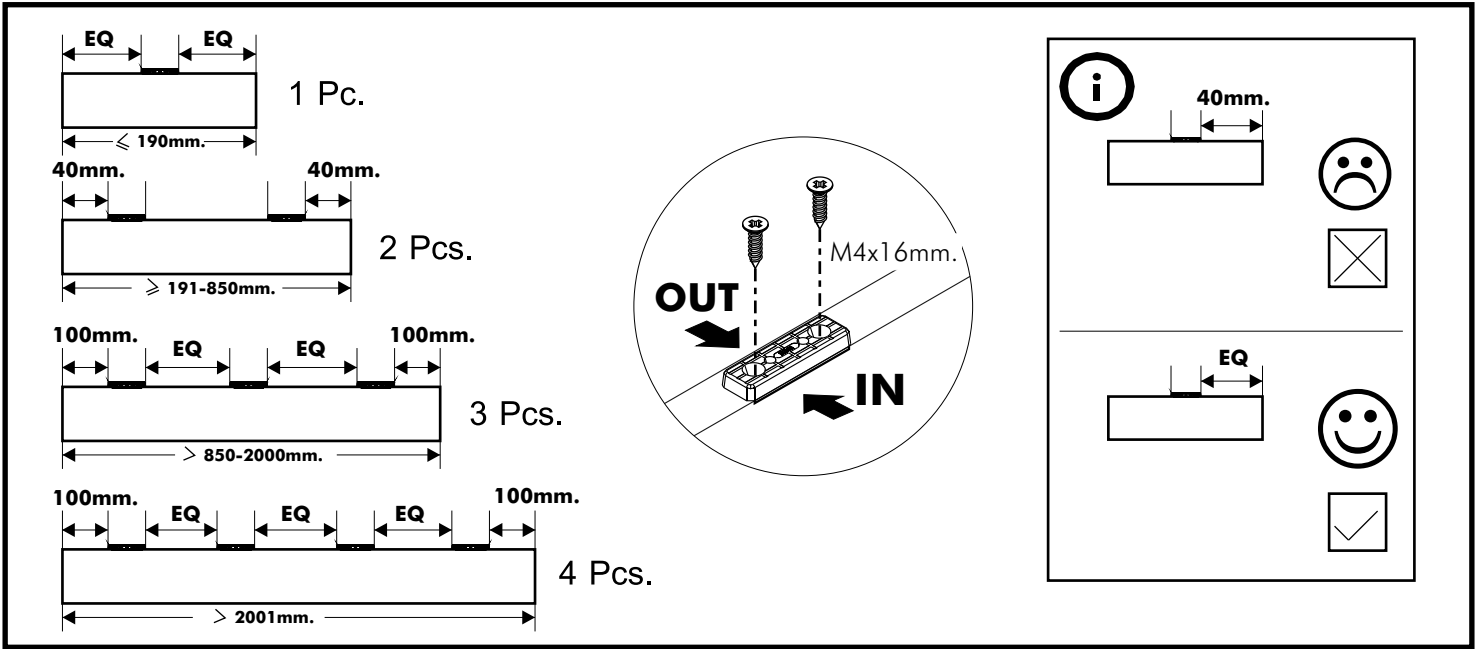
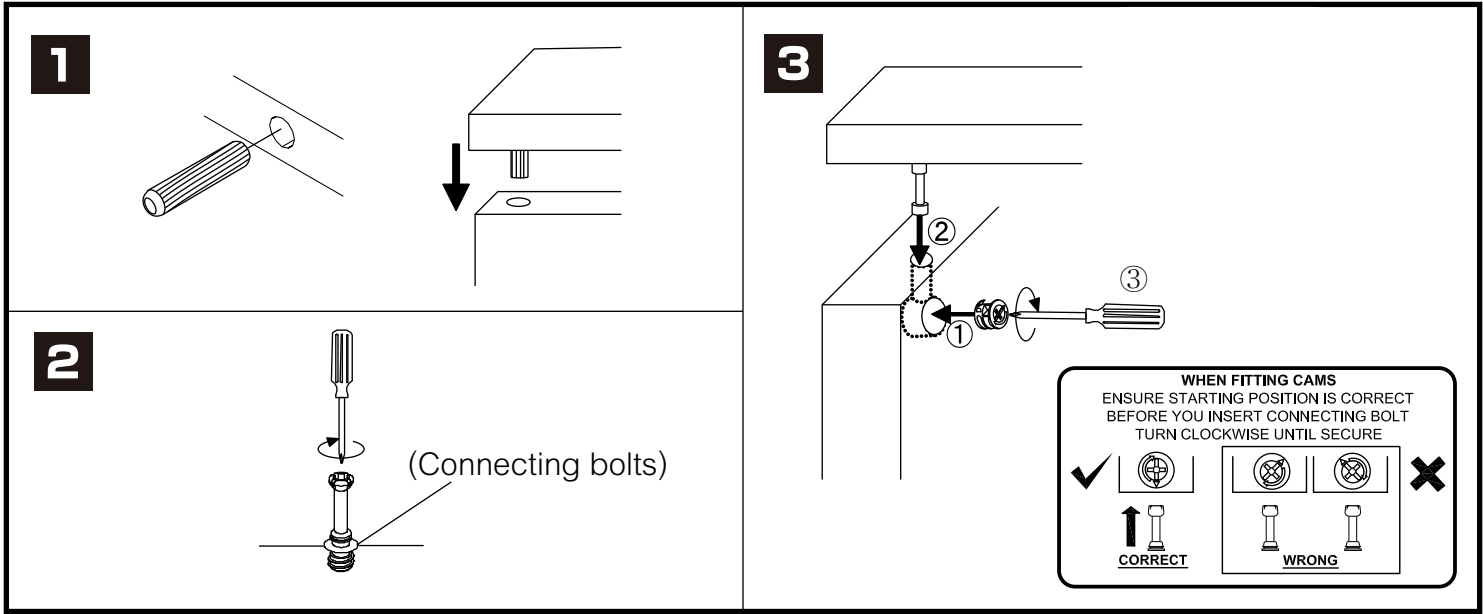


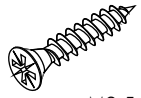
PALLAZO

Wardrobe 4 doors.

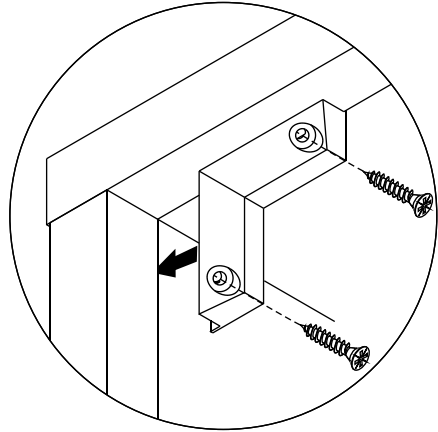
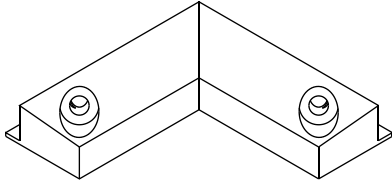


CONNECT SYSTEM

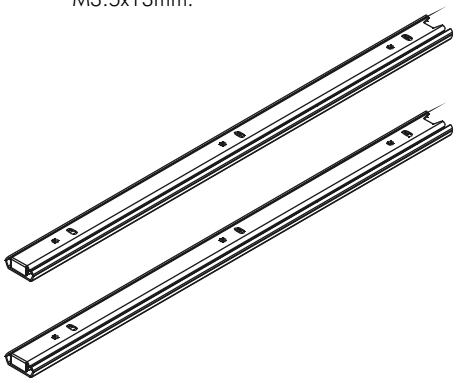




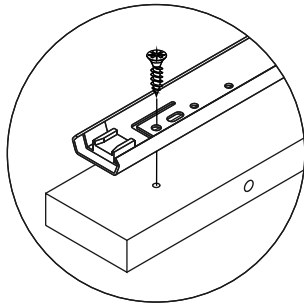
M3.5x20mm.



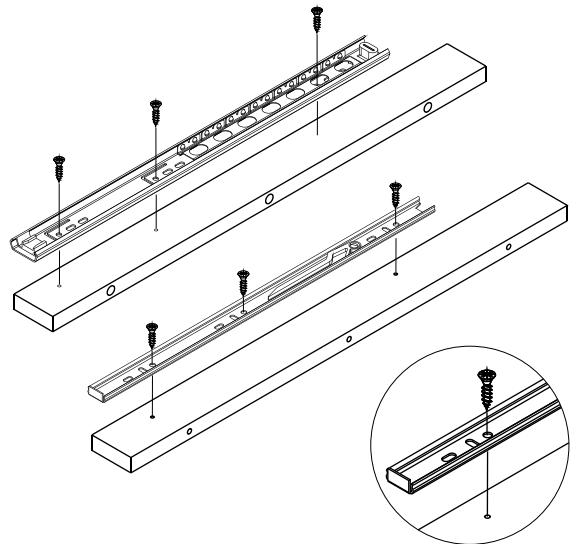
M3.5x13mm.



1

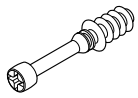


2



HARDWARE

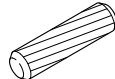
-BODY SET



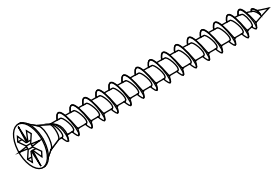
x 39



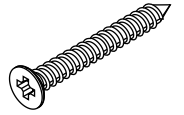
x 39



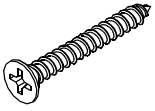
8x35mm.
x 50



M4x50mm.
x 4



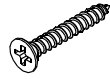
M4x40mm.
x 1



M4x35mm.
x 8



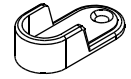
x 6



M4x25mm.
x 24



Ø 20mm.(5x23)
x 2



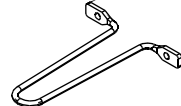
x 4



M3.5x13mm.
x 8



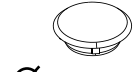
M4x16mm.
x 38



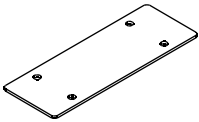
x 1



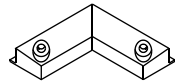
x 12



Ø 5x18 mm.
x 7



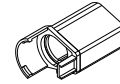
x 2



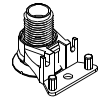
x 2



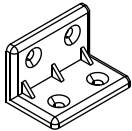
M3.5x20mm.
x 4



x 6



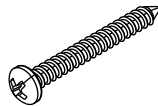
x 6



x 8



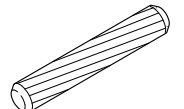
M4x16mm.
x 60



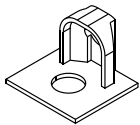
M4x30mm.
x 9



Ø11mm.
x 4



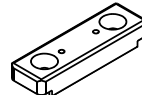
8x50mm.
x 3



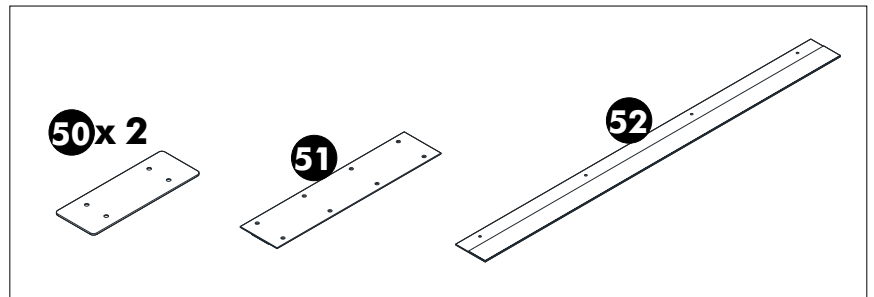
x 2



M4x13mm.
x 12



x 10

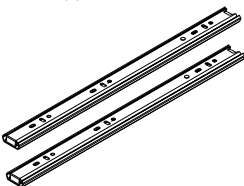


50 x 2

51

52

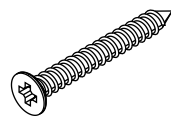
-DRAWER SET



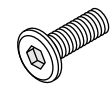
x 4



M3.5x13mm.
x 48



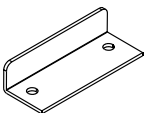
M4x40mm.
x 40



TFL4 M6x23
x 14



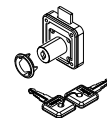
x 1



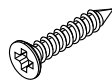
x 1



M4x1/2"
x 2



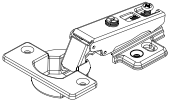
x 1



M3.5x20mm.
x 4

HARDWARE

-DOOR SET



x 16



M4x16mm.

x 96

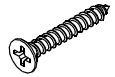


M3.5x13mm.(BLACK)

x 20



x 8



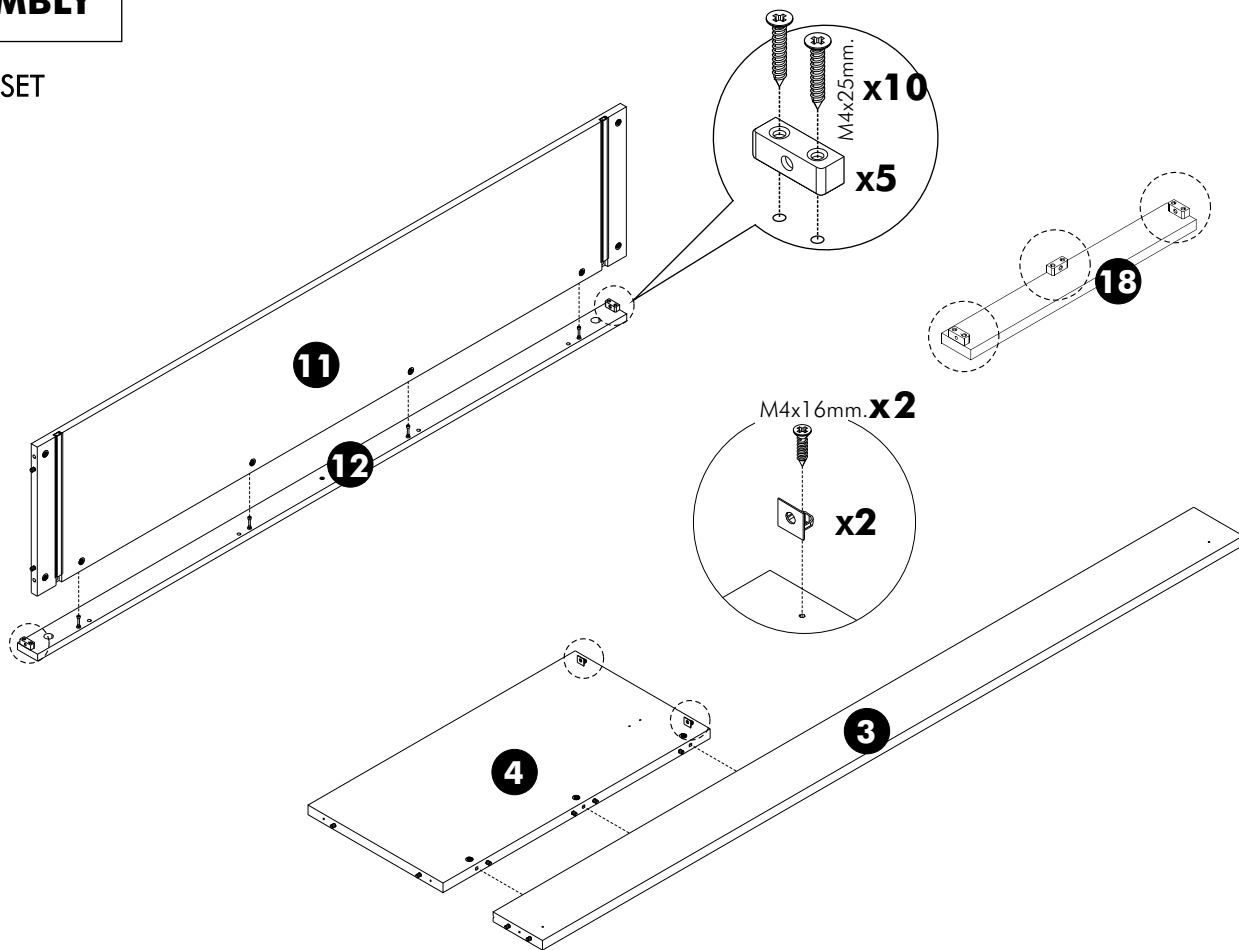
M4x25mm.(BLACK)

x 24

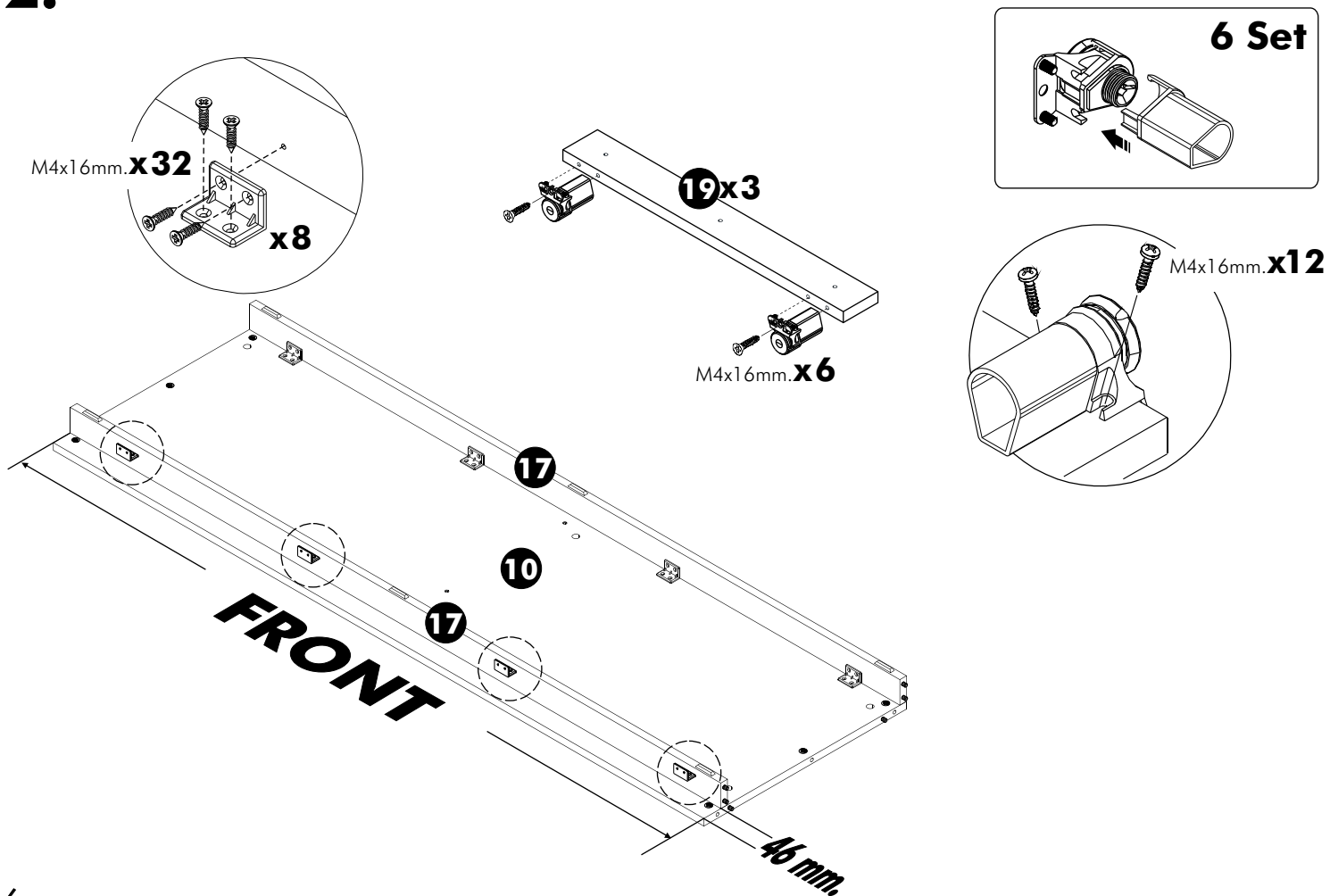
ASSEMBLY

-BODY SET

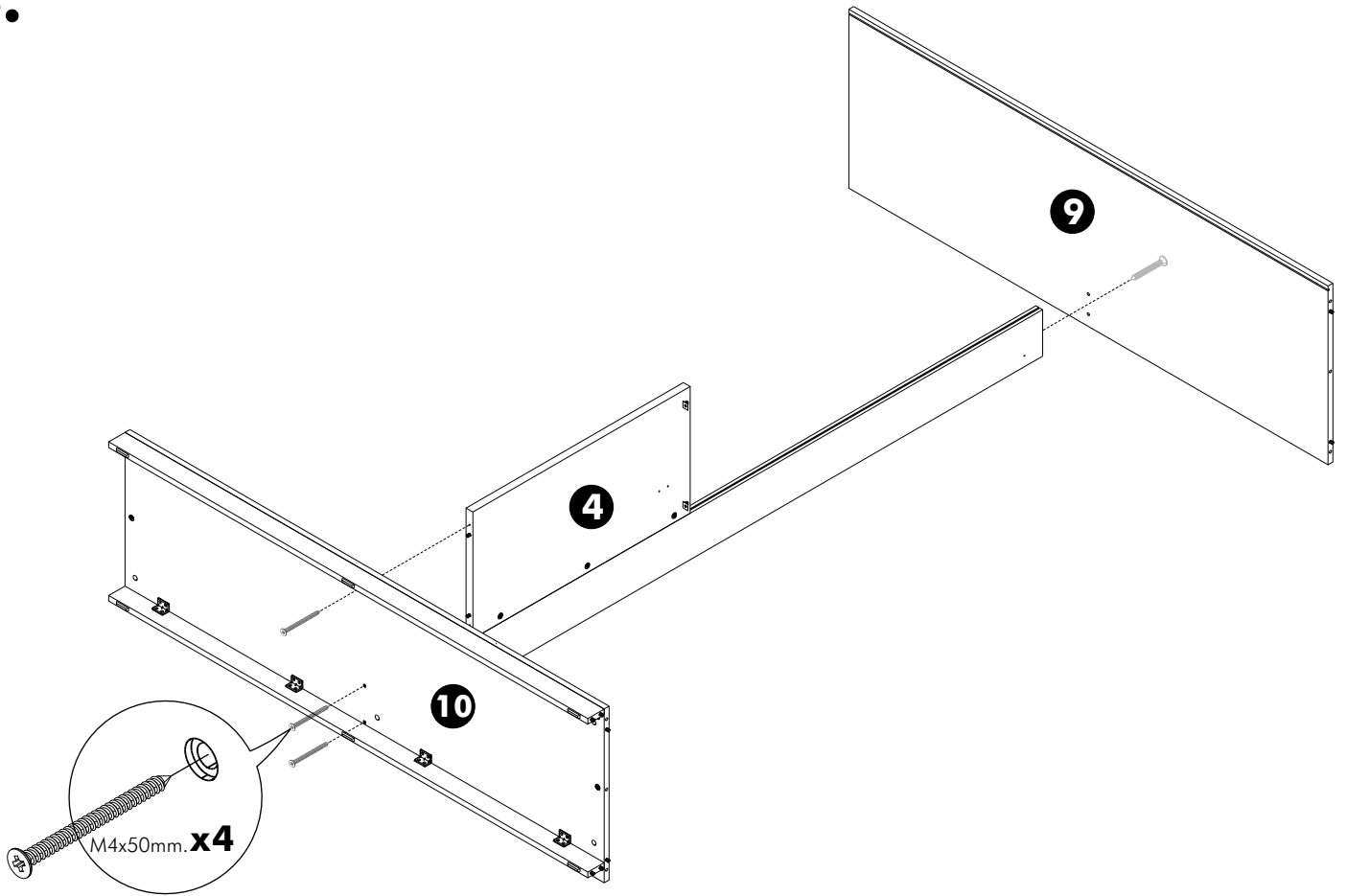
1.



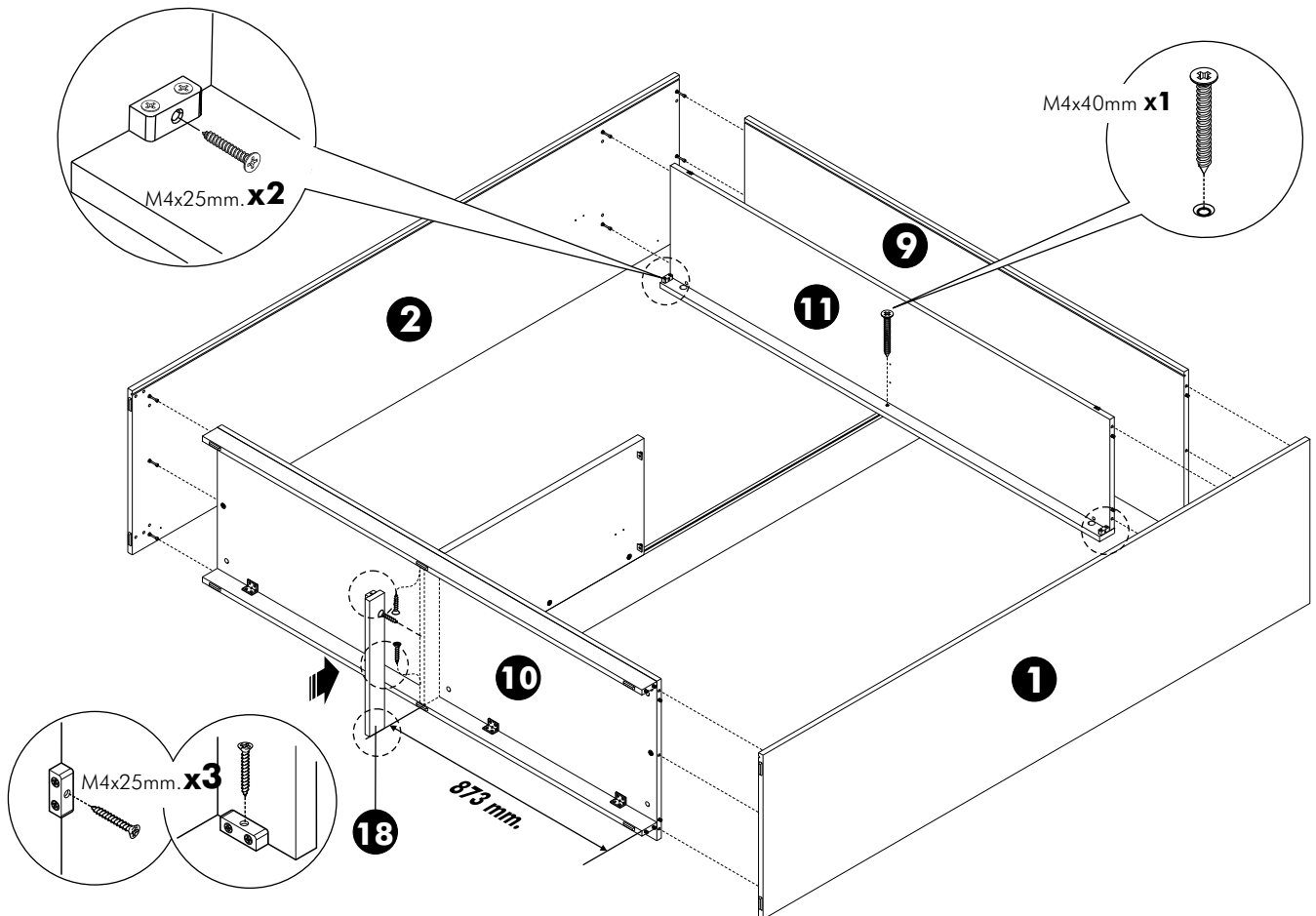
2.



3.

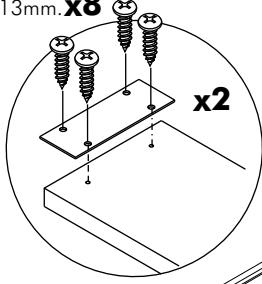


4.

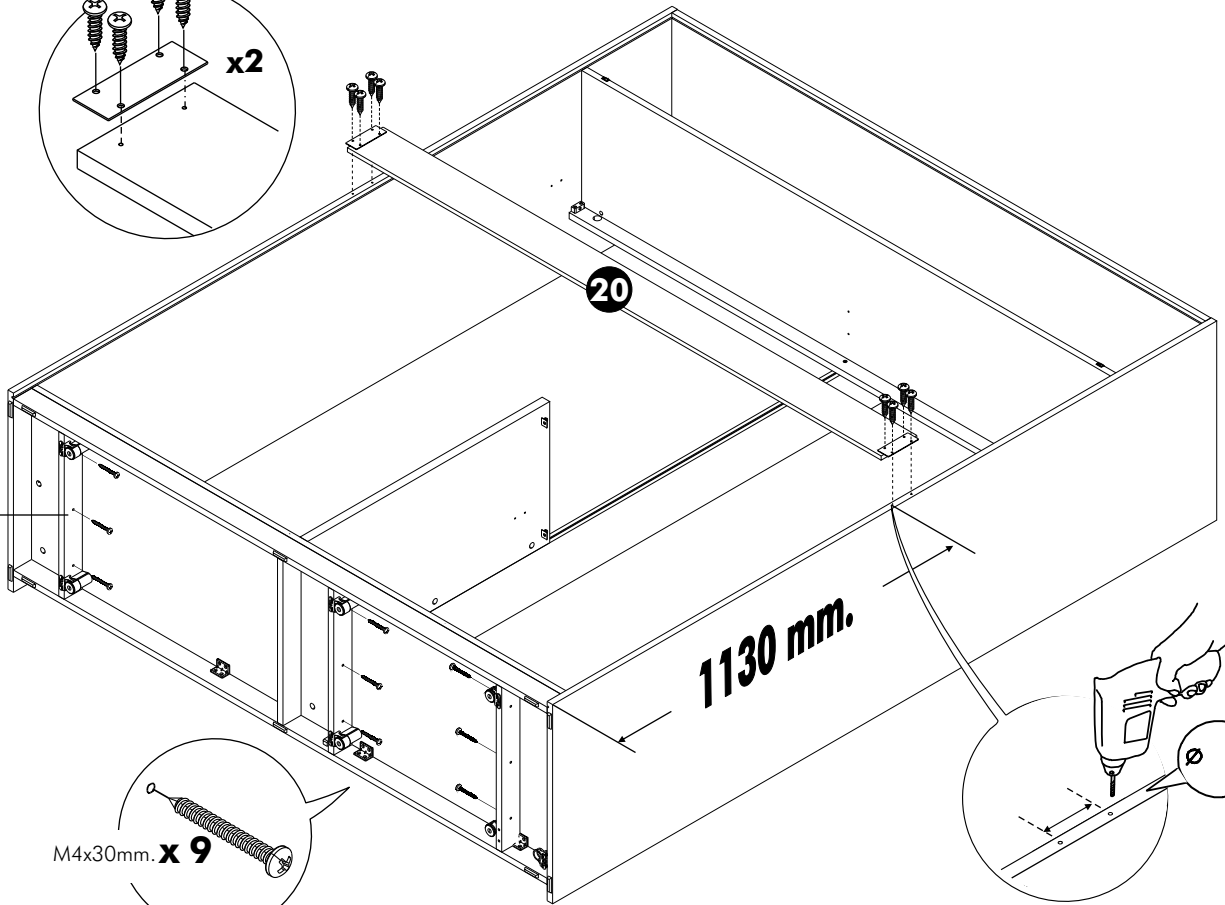


5.

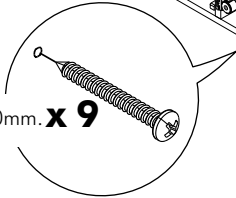
M4x13mm. **x8**



19x3

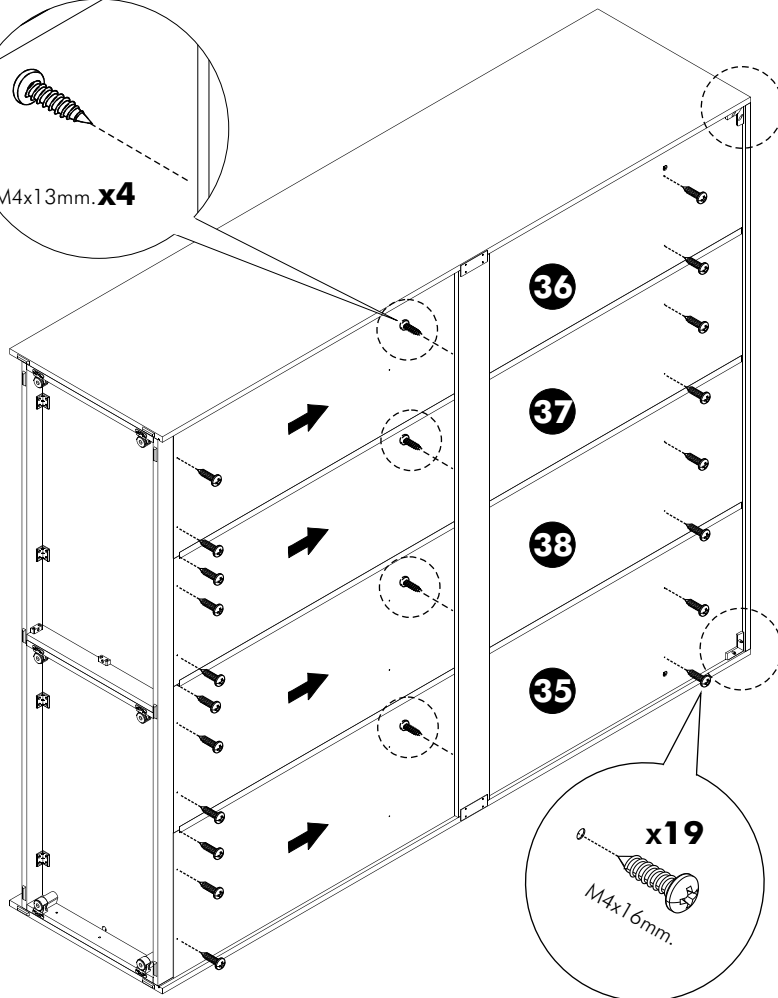
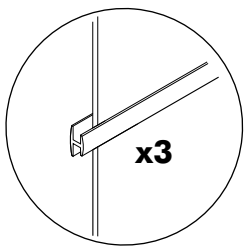
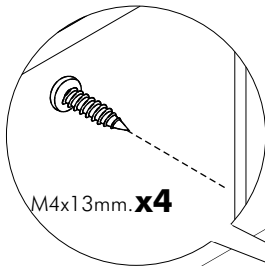


M4x30mm. **x 9**

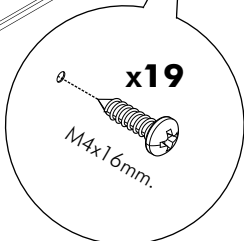


6.

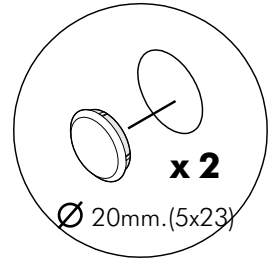
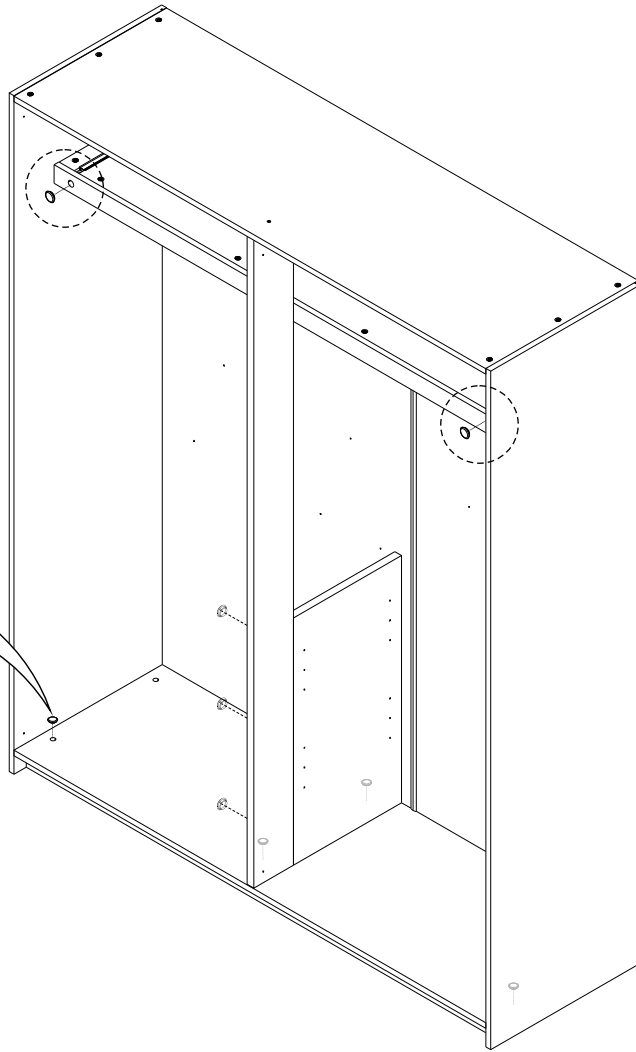
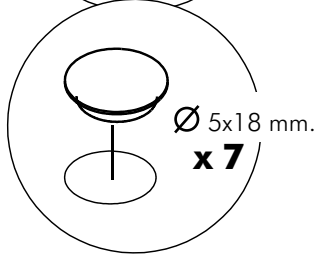
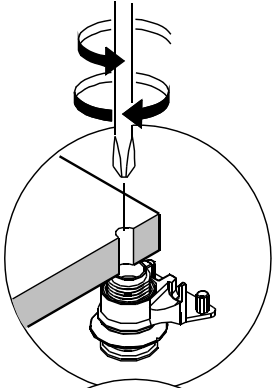
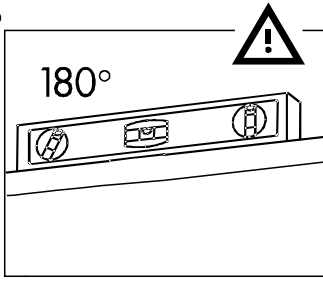
M4x13mm. **x4**



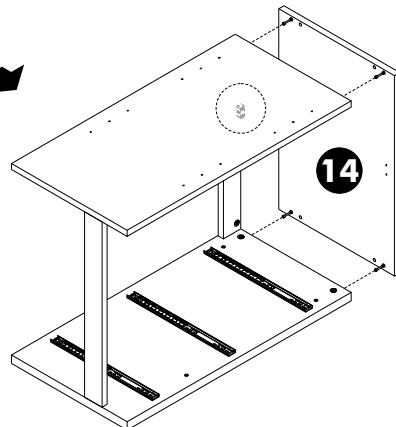
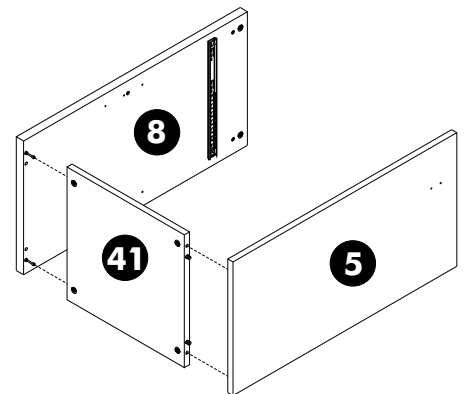
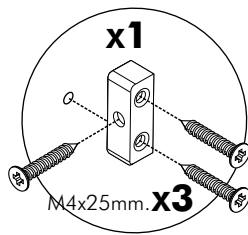
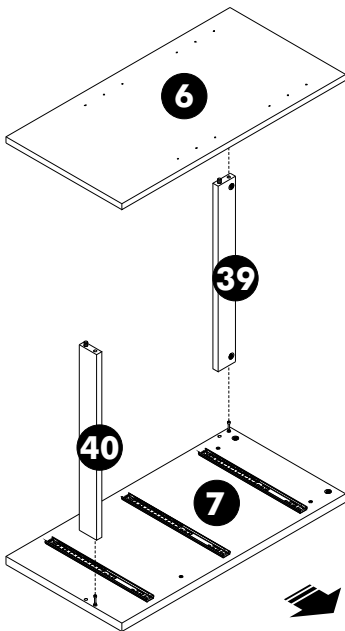
x19
M4x16mm.



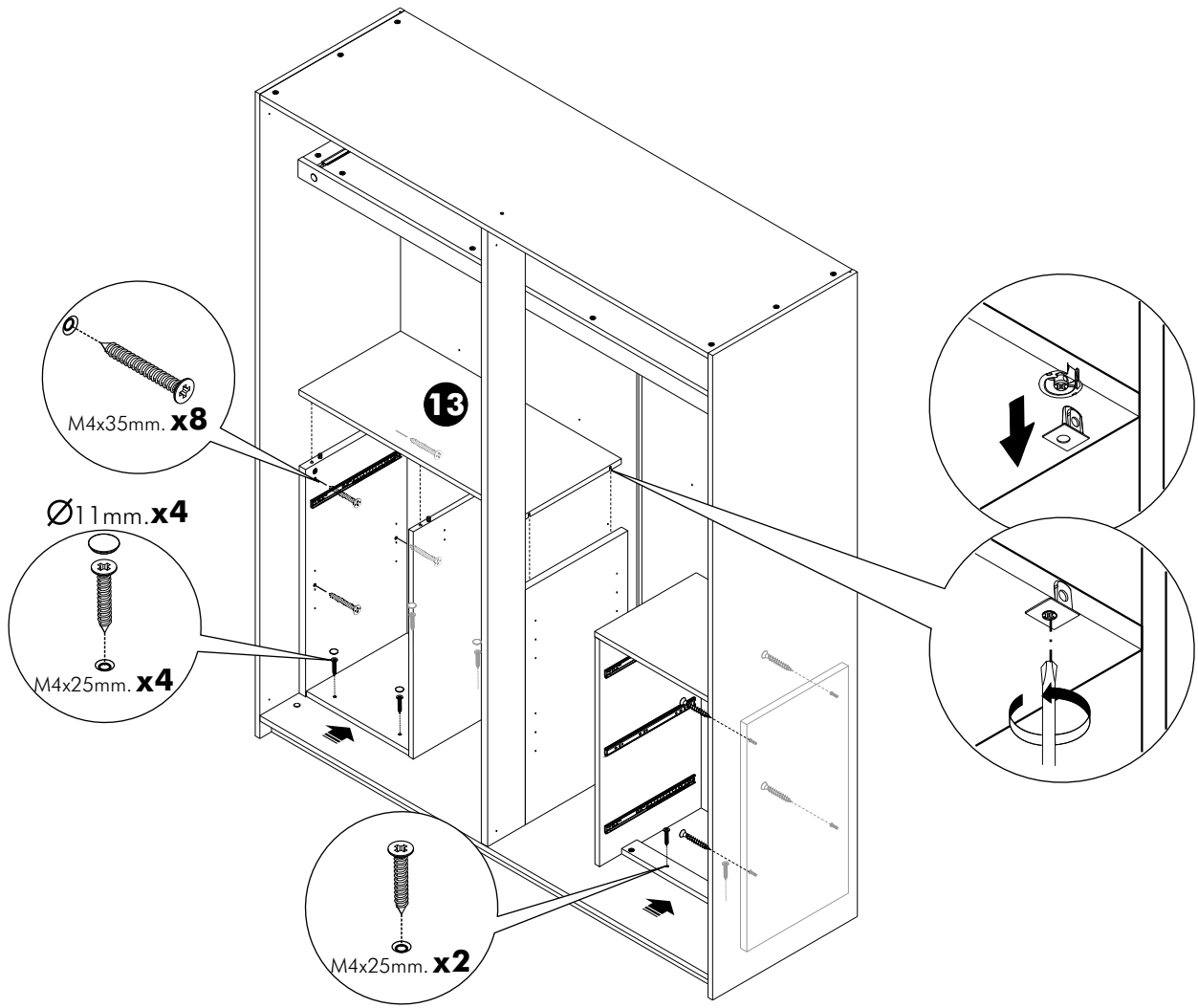
7.



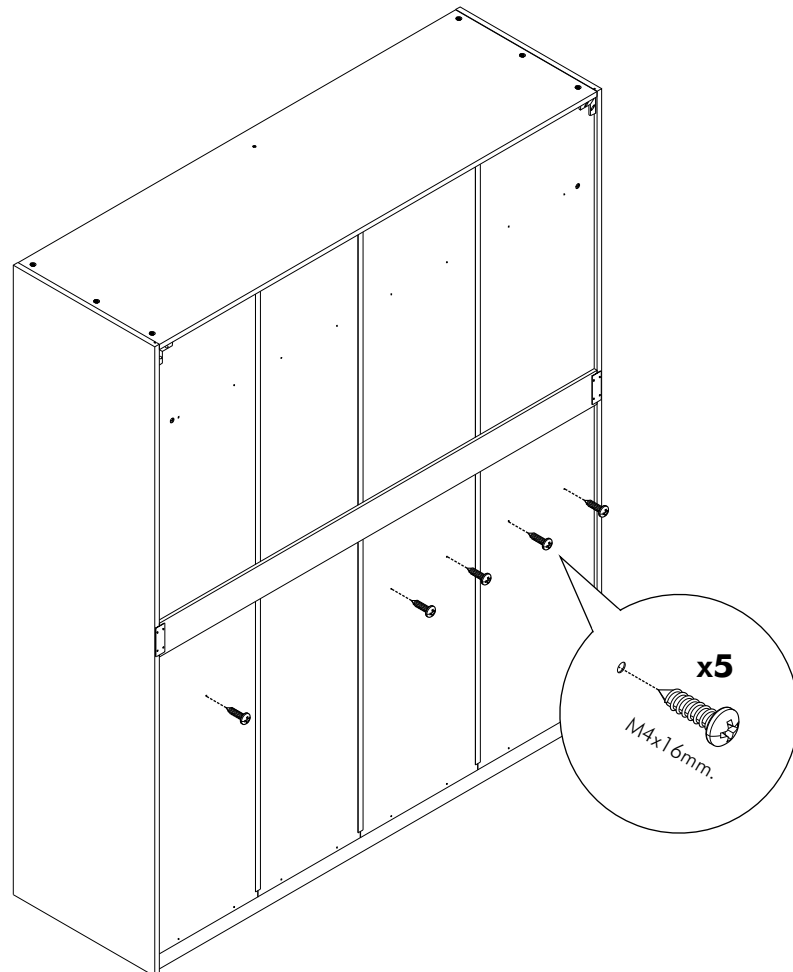
8.



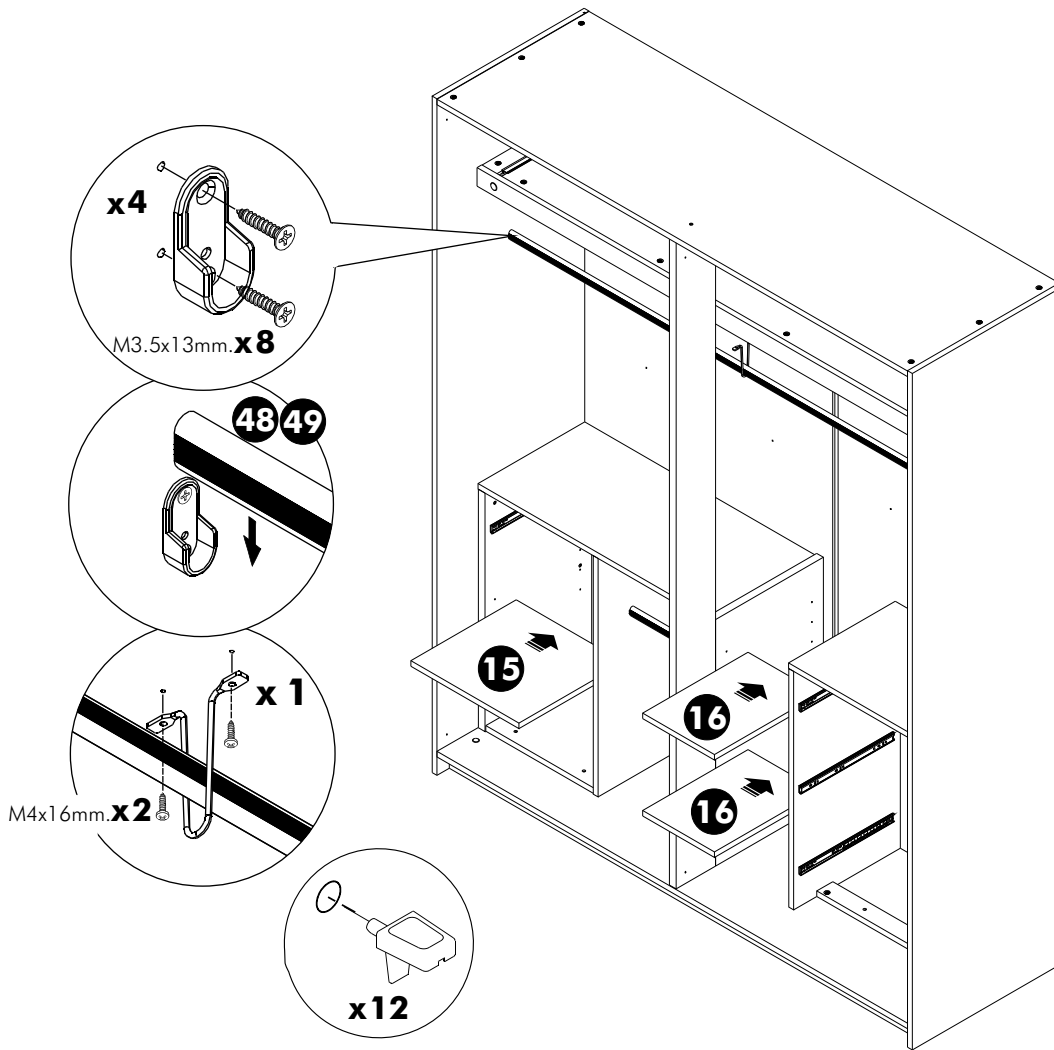
9.



10.

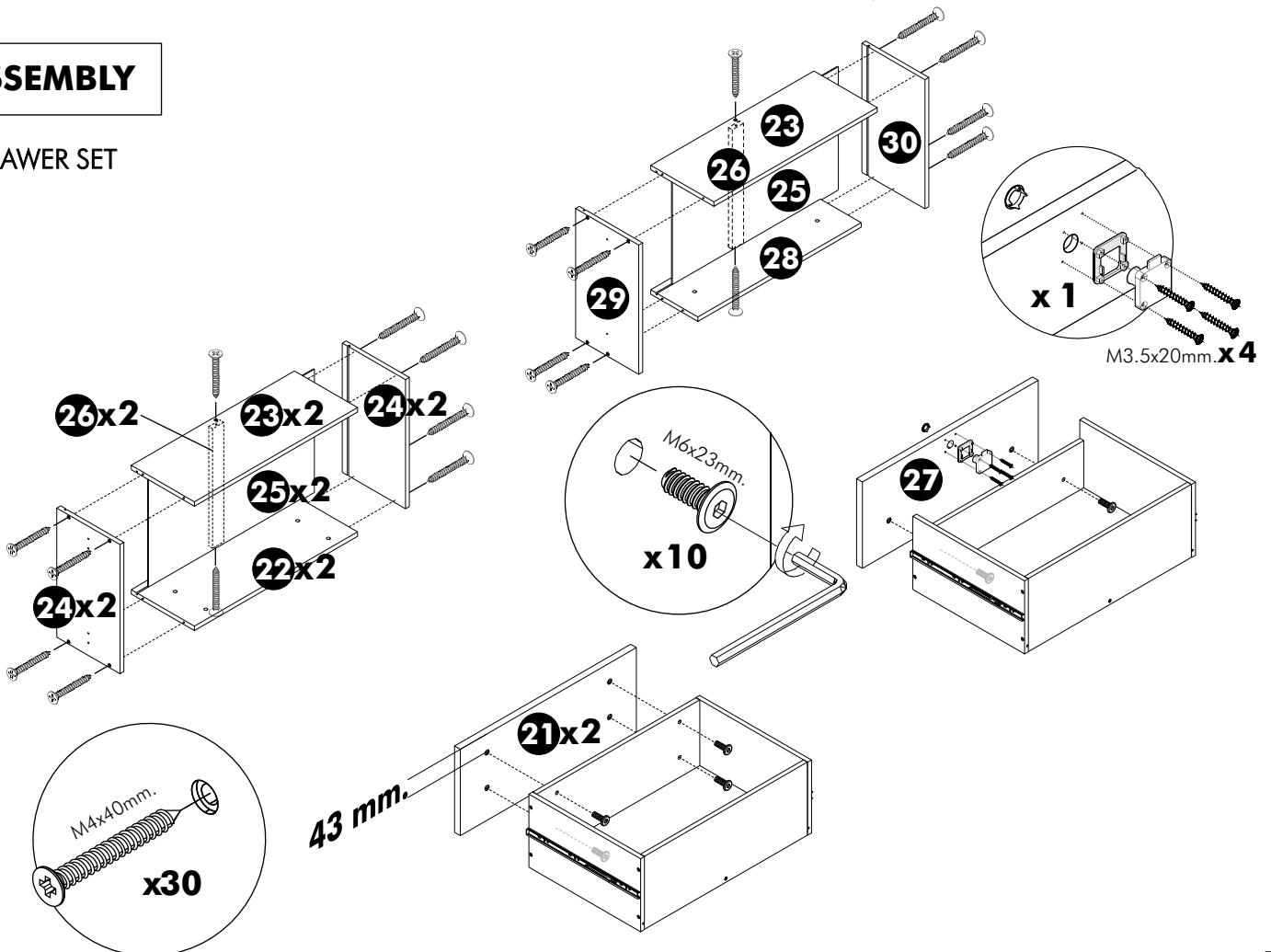


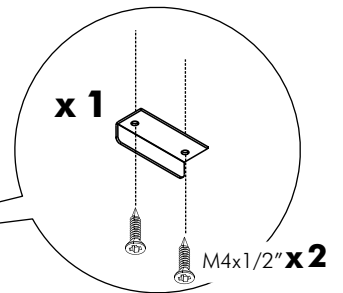
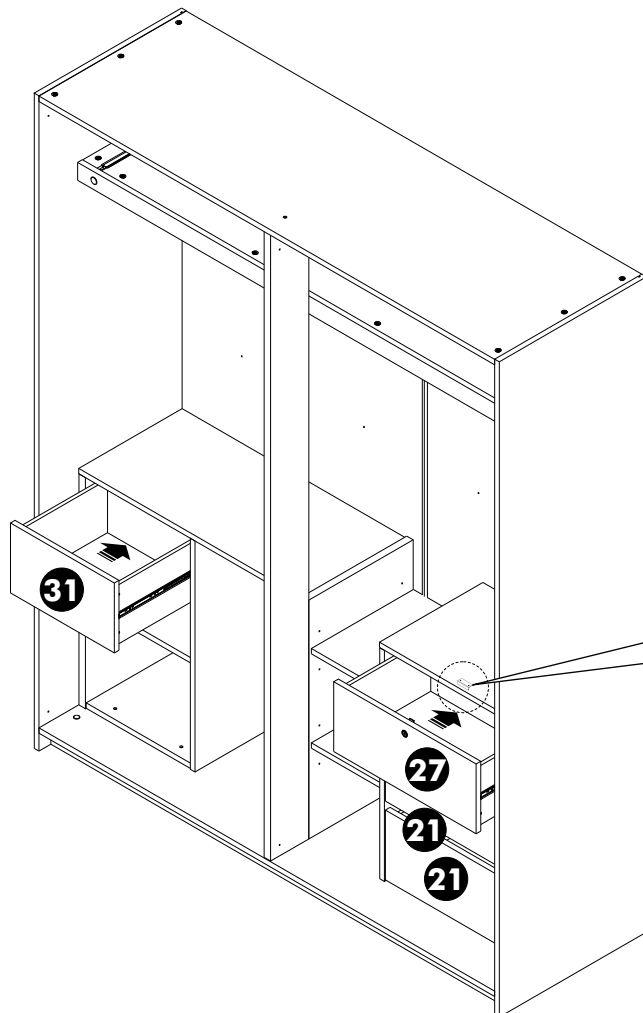
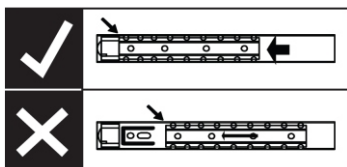
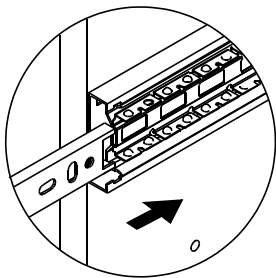
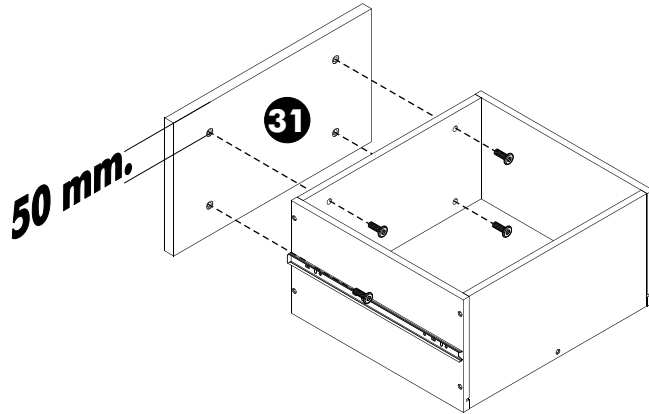
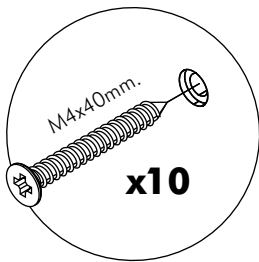
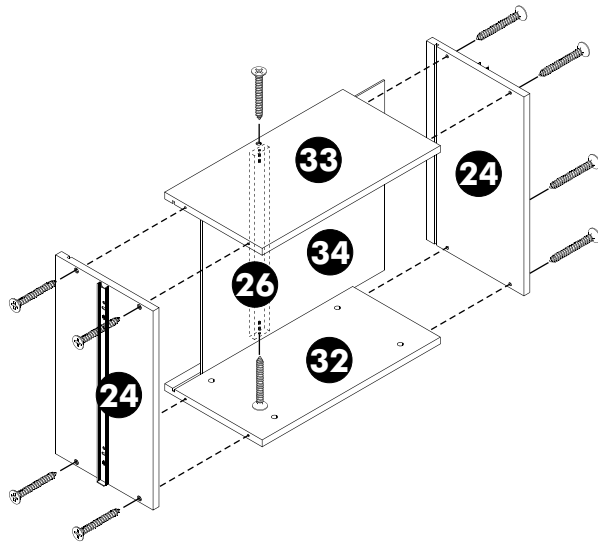
11.



ASSEMBLY

-DRAWER SET





ASSEMBLY

-DOOR SET

