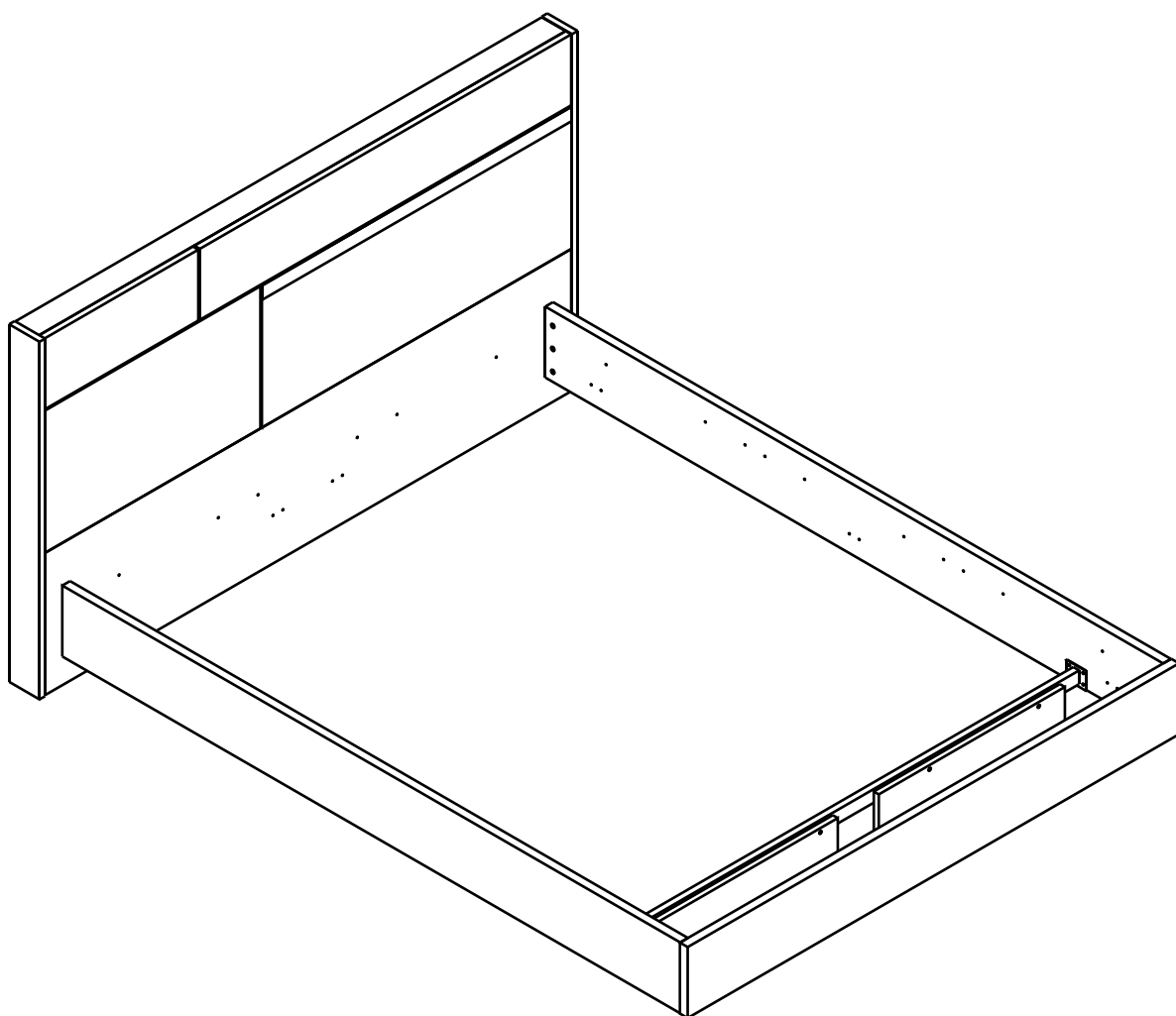


# PALLAZO

**Bed 5ft**  
**Bed 6ft**



# CONNECT SYSTEM

**1**

**2**

(Connecting bolts)

**3**

**WHEN FITTING CAMS**  
 ENSURE STARTING POSITION IS CORRECT  
 BEFORE YOU INSERT CONNECTING BOLT  
 TURN CLOCKWISE UNTIL SECURE

|   |                |              |  |   |
|---|----------------|--------------|--|---|
| ✓ |                |              |  | ✗ |
| ↑ | <b>CORRECT</b> | <b>WRONG</b> |  |   |

1 Pc. EQ EQ ≤ 190mm.

40mm. 40mm. 2 Pcs. ≥ 191-850mm.

100mm. EQ EQ 100mm. 3 Pcs. > 850-2000mm.

100mm. EQ EQ EQ 100mm. 4 Pcs. > 2001mm.

**OUT**

**IN**

M4x16mm.

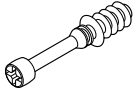
**i**

40mm.

EQ

# HARDWARE

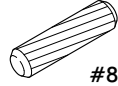
## -BODY SET



**x 4**

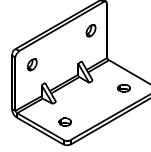


**x 4**



#8x35

**x 4**



**x 2**



No.1

**x 3**



M4x16mm.

**x 19**



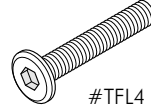
#M8

**x 4**



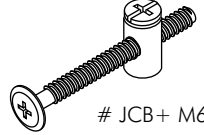
#M8

**x 4**



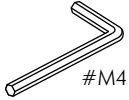
#TFL4 M8x50

**x 4**



# JCB+ M6x60

**x 6**



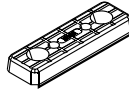
#M4

**x 1**



M4x16mm.

**x 18**

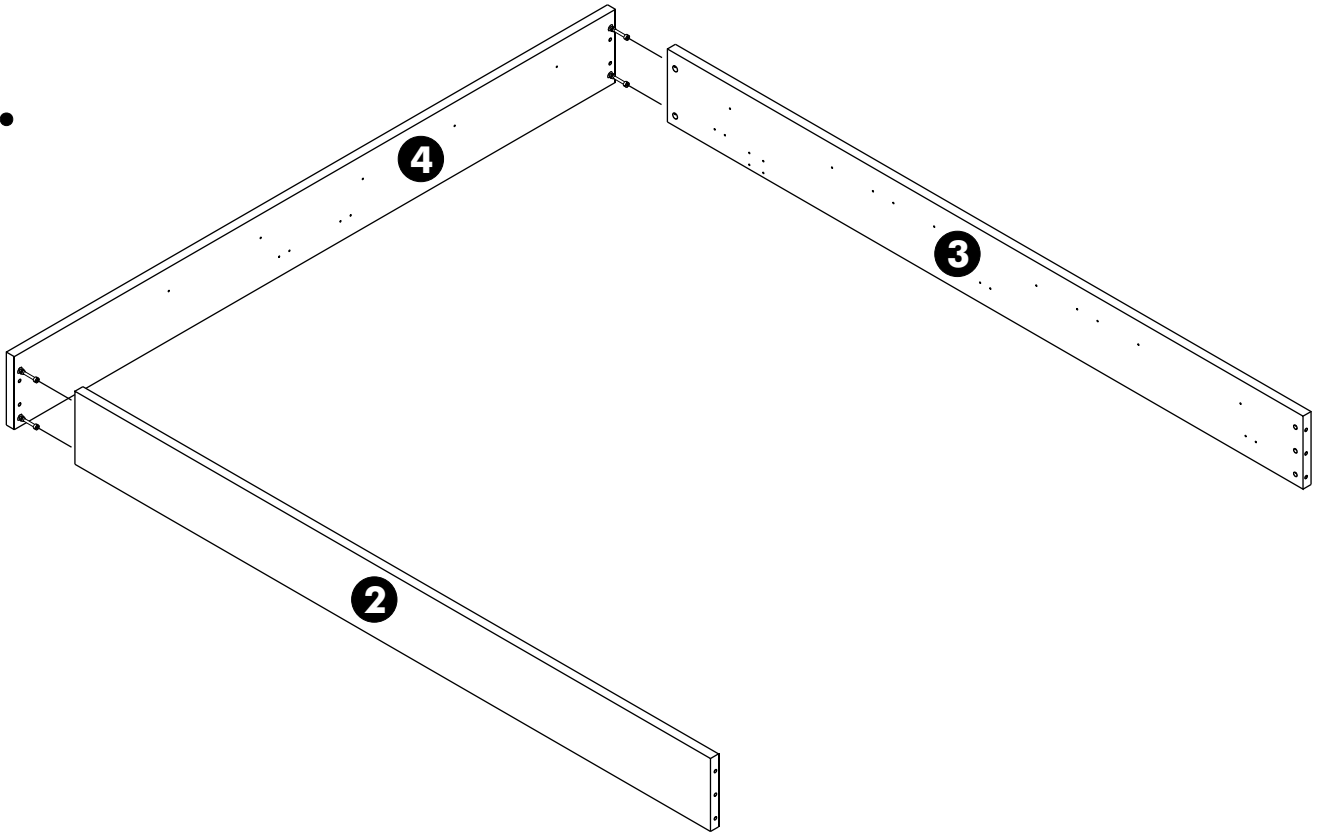


**x 9**

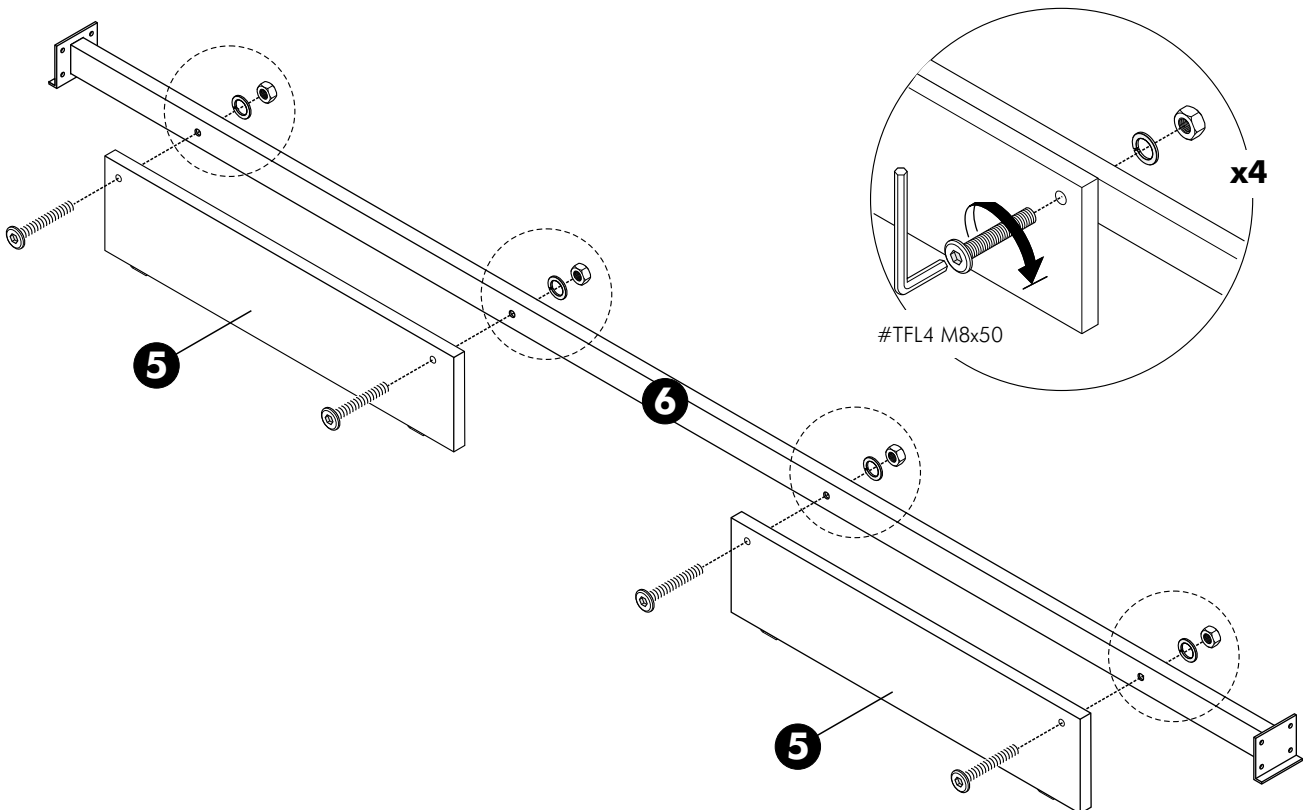
# ASSEMBLY

-BODY SET

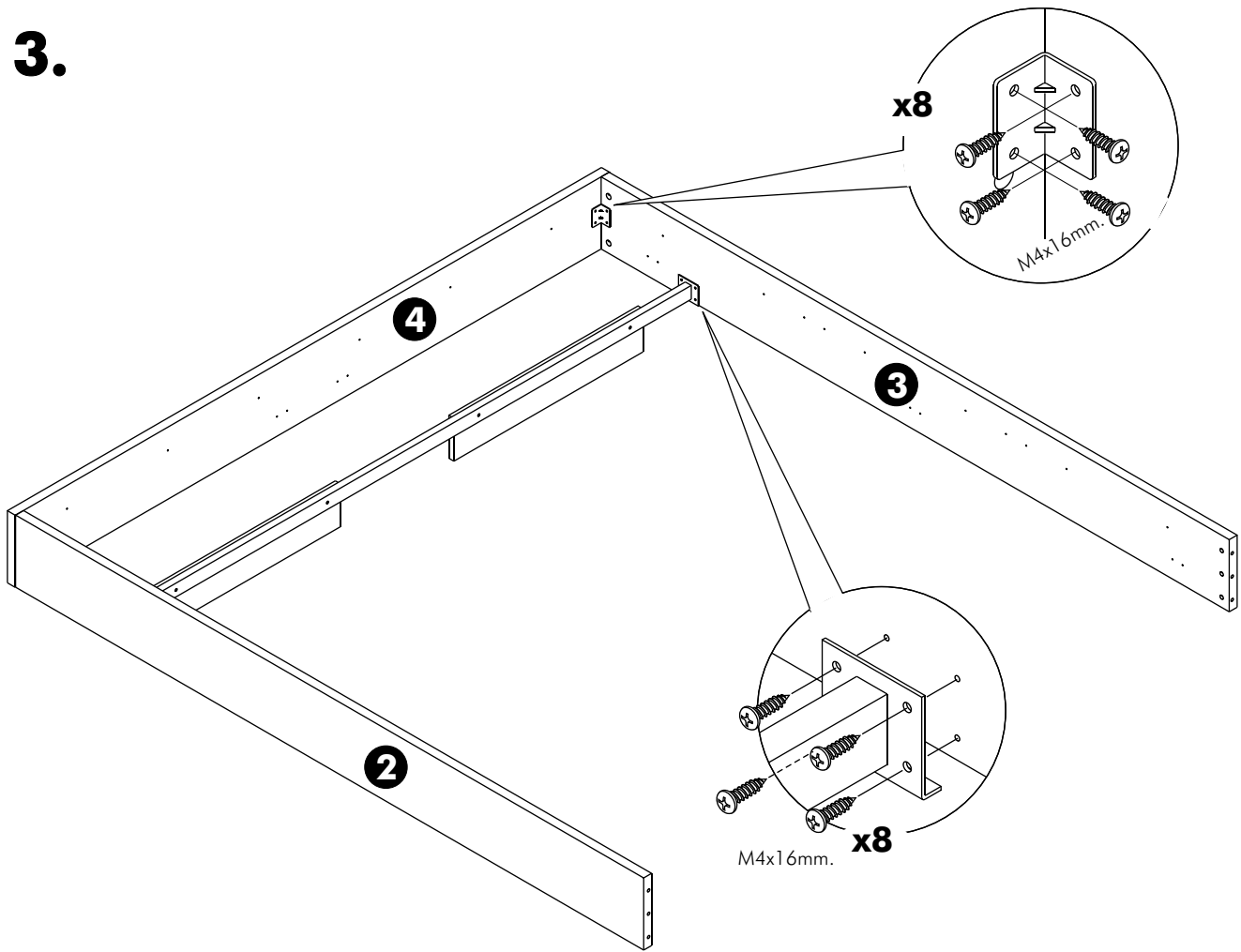
1.



2.



**3.**



**4.**

