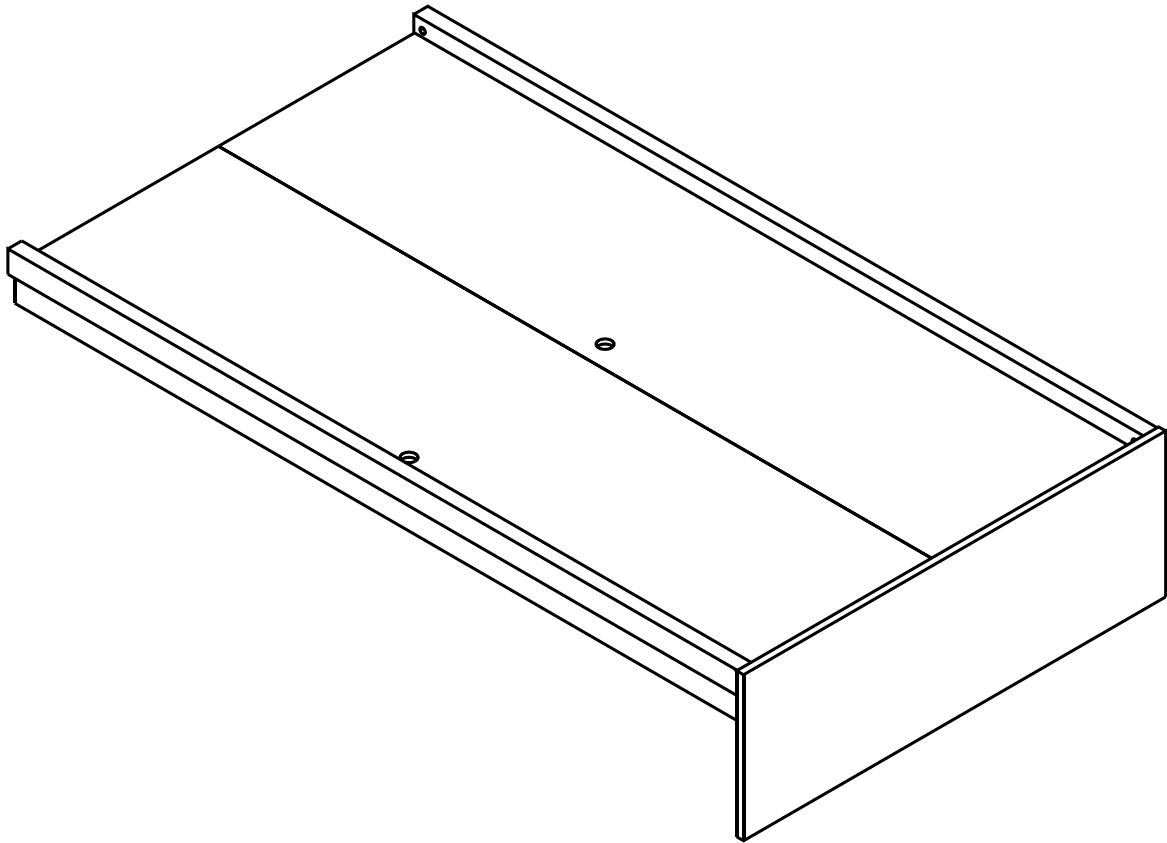
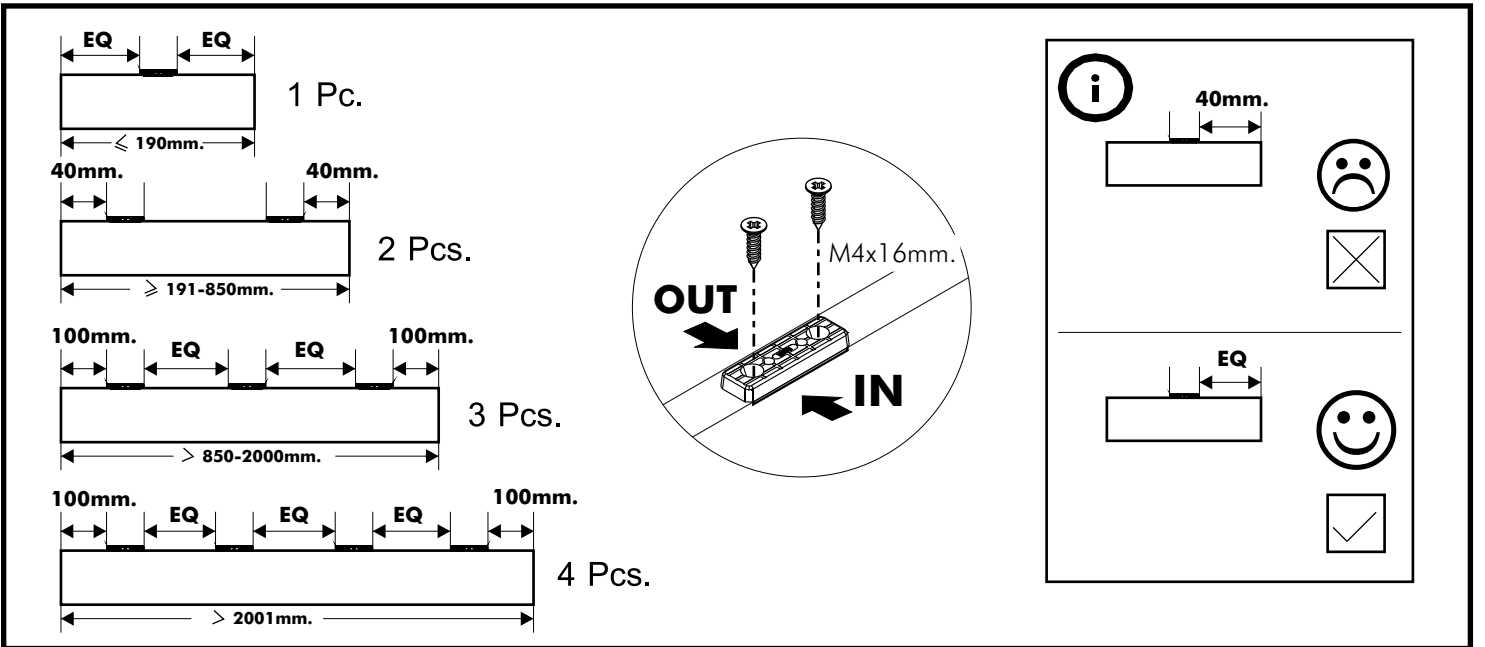
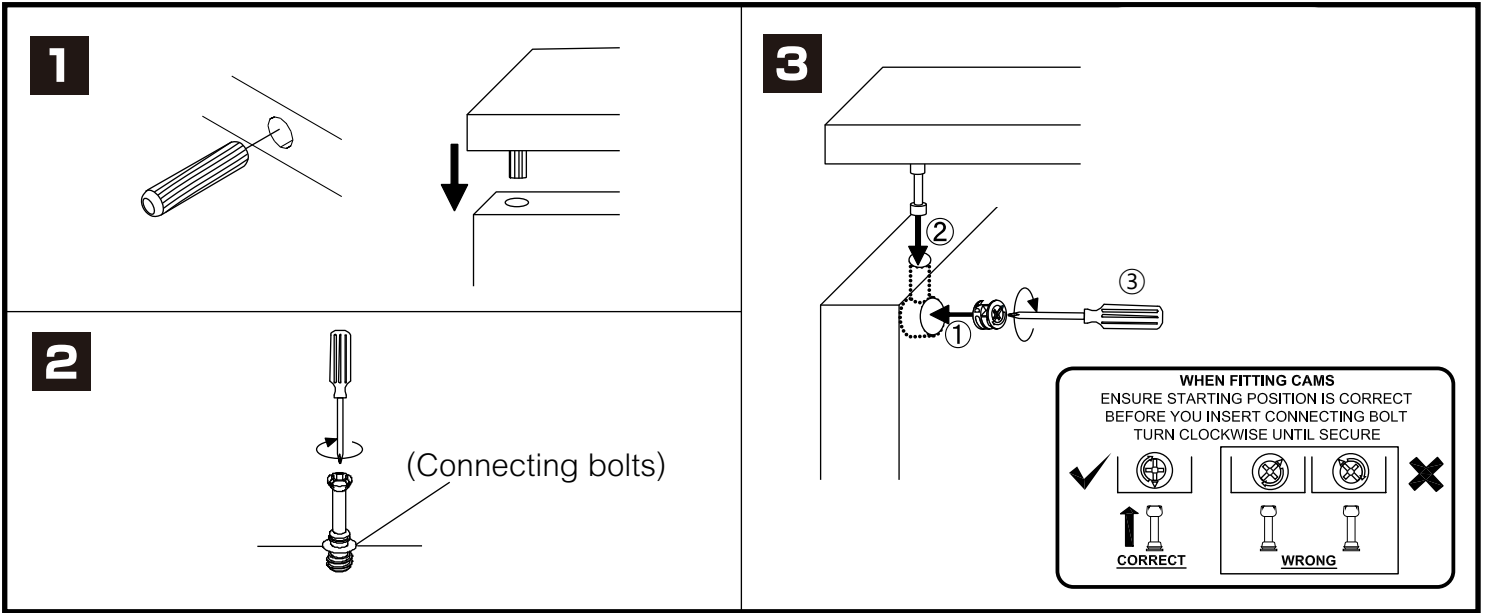


# BB BOX

**Bed frame 3.5 ft.**

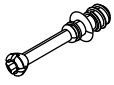


# CONNECT SYSTEM



# HARDWARE

## -BODY SET

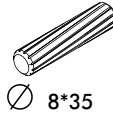


**x 4**



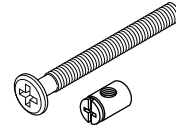
19 mm.

**x 4**



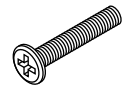
8\*35

**x 4**



JBC+M6x60

**x 4**



TF+M6x45

**x 2**



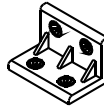
#M6

**x 2**



#M6

**x 2**

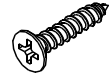


**x 4**



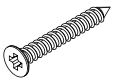
C/B P+M4x16

**x 10**



C/B F+M4x16

**x 30**



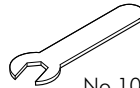
C/B F+M4x30

**x 19**



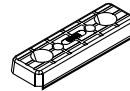
C/B F+M4x25

**x 30**



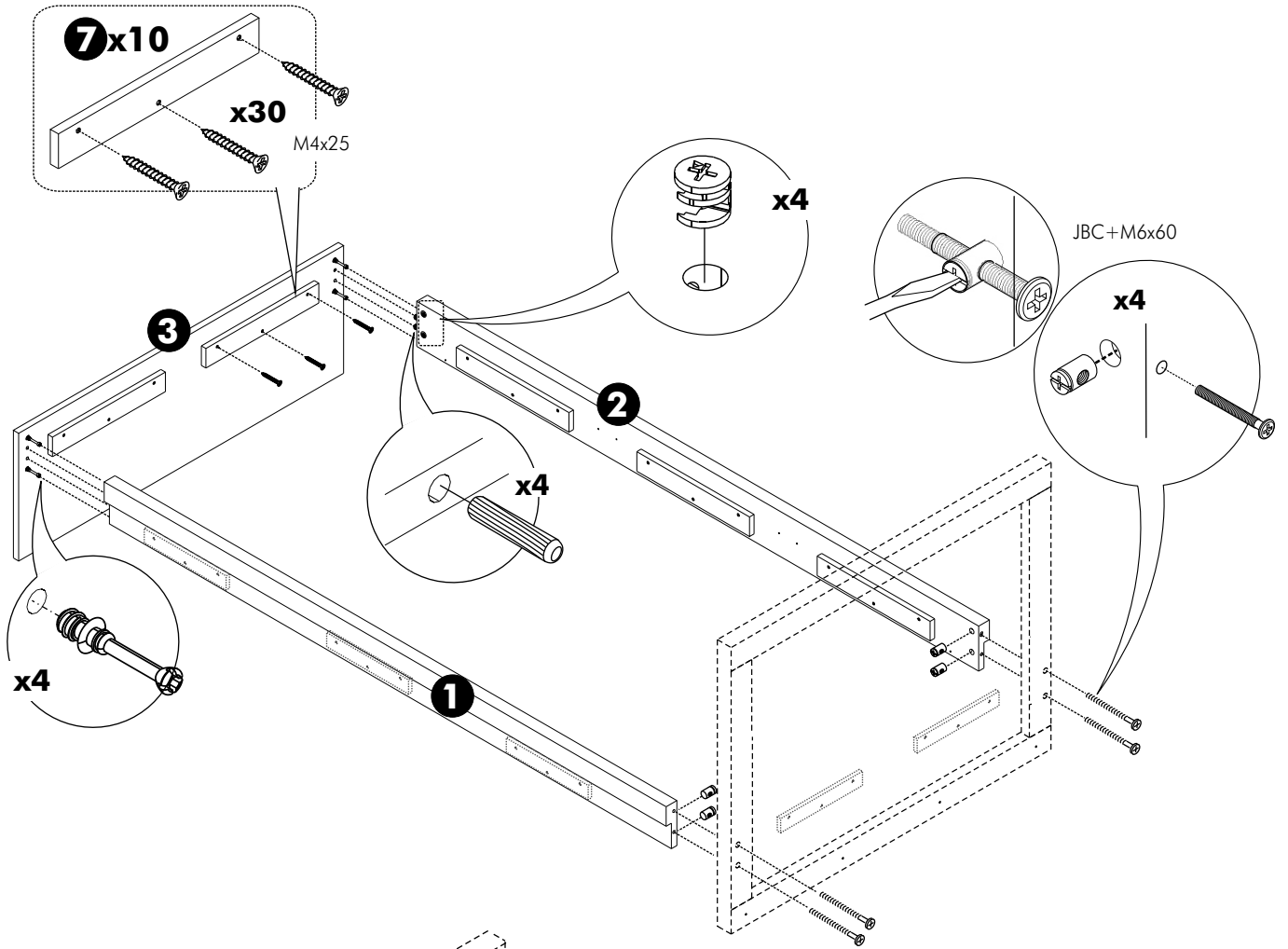
No.10

**x 1**

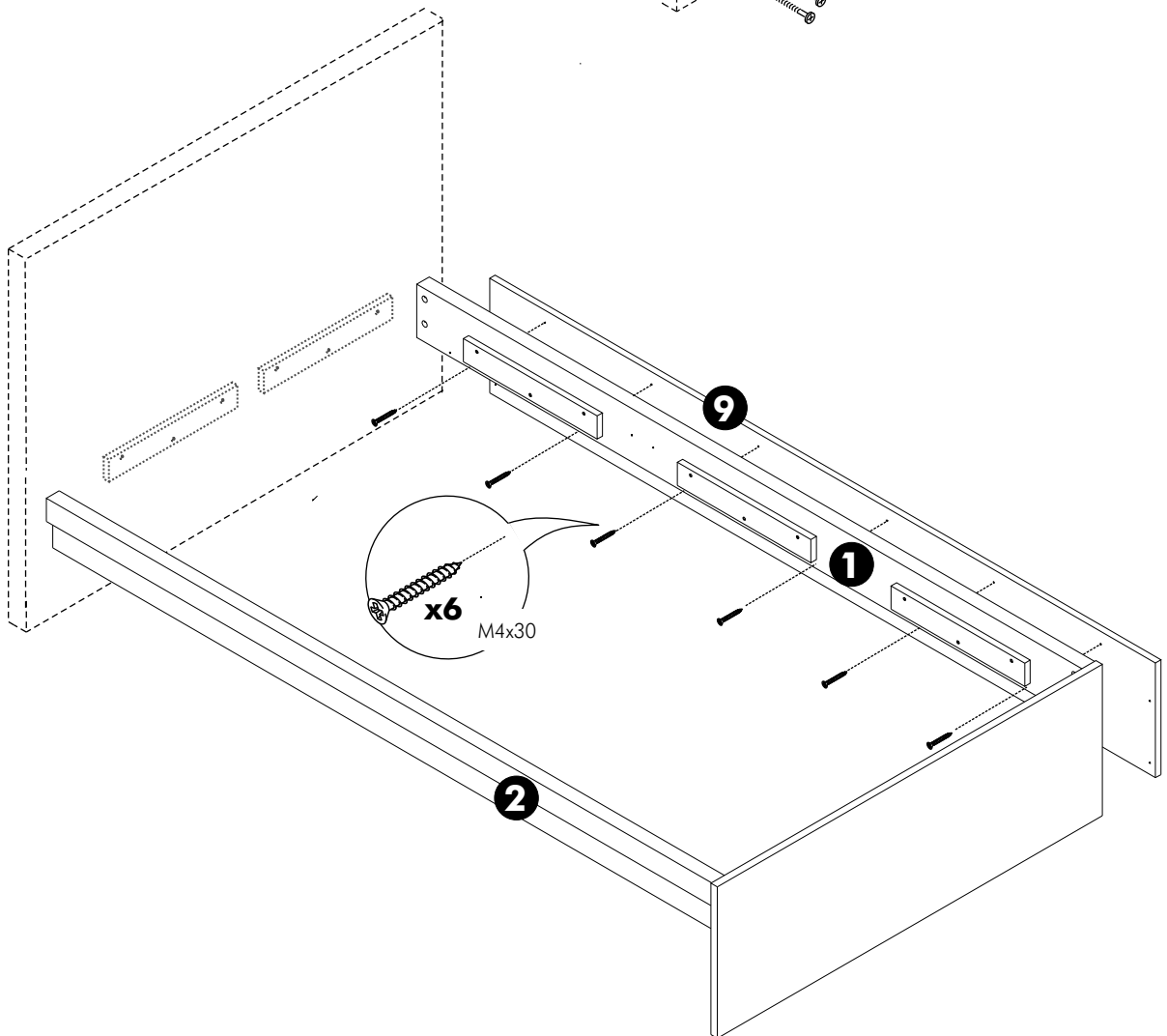


**x 2**

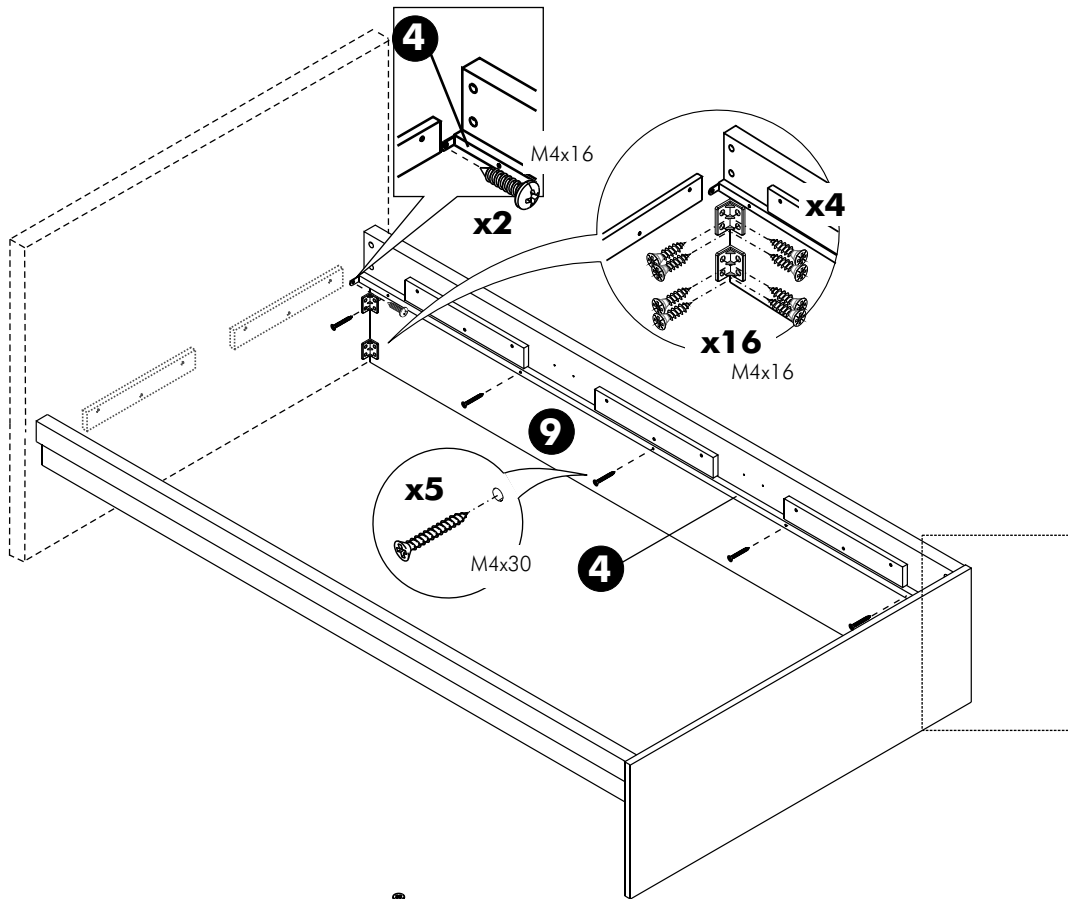
1.



2.



3.



4.

