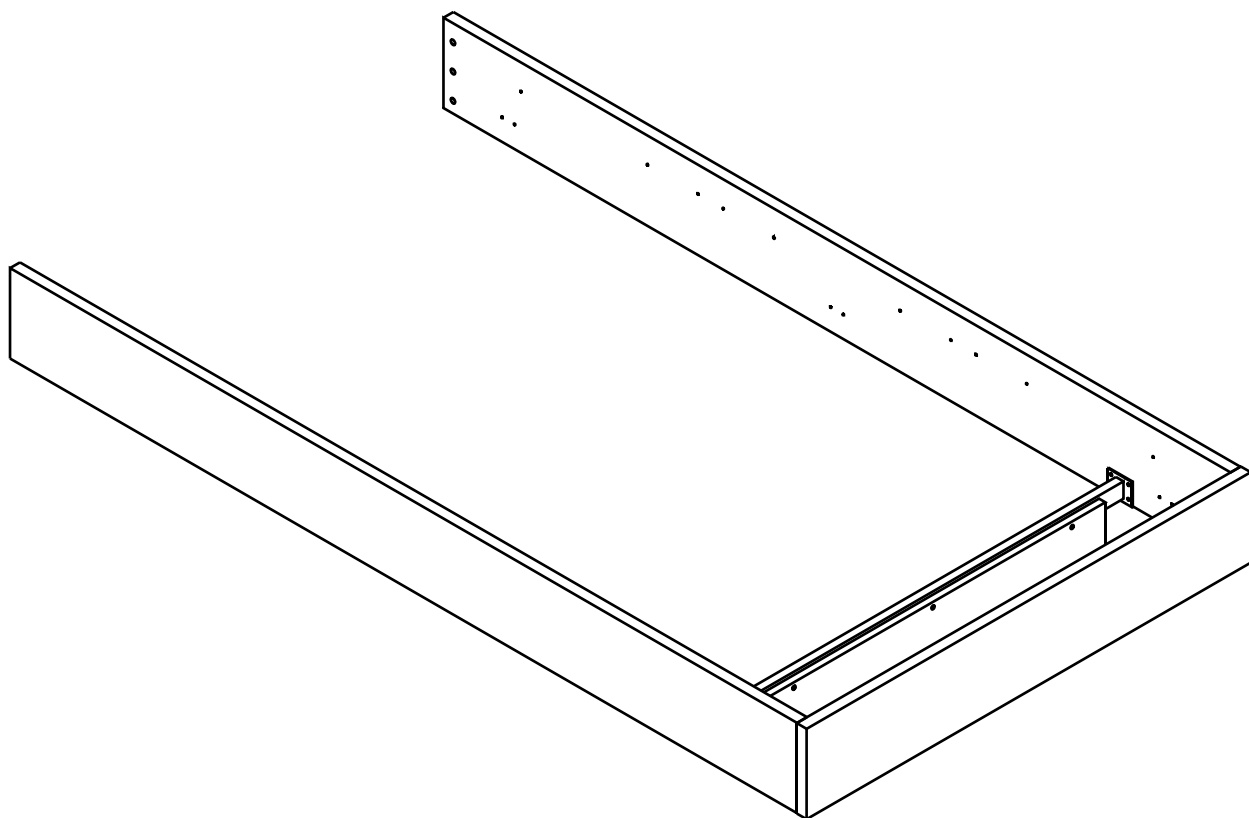
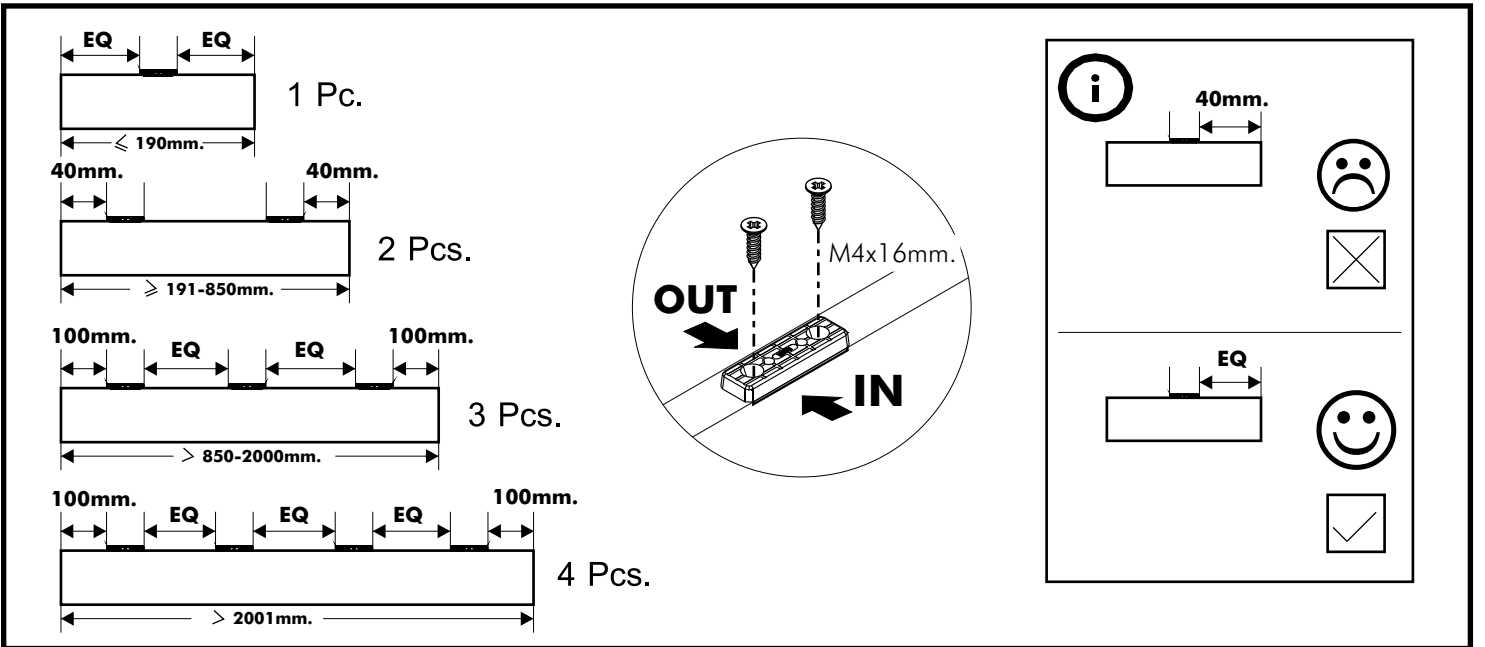
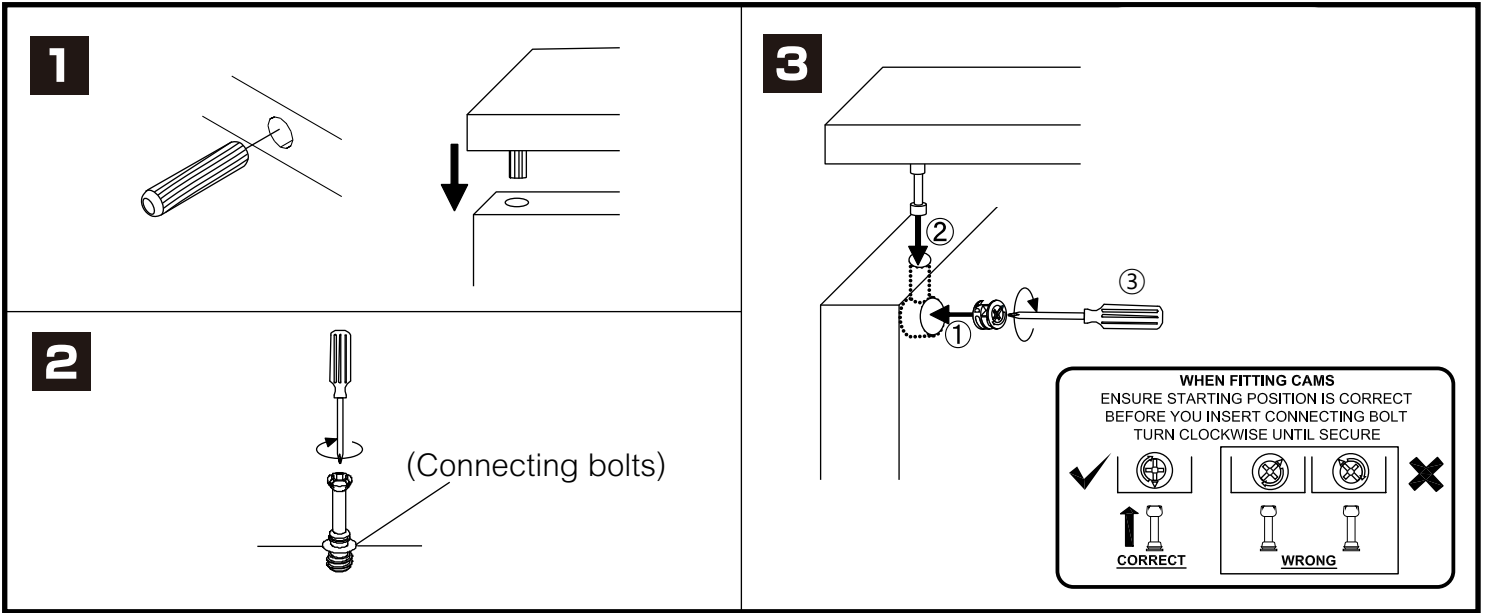


# BB FLOAT

**Bed body 3.5 ft.**

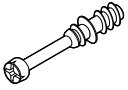


# CONNECT SYSTEM



# HARDWARE

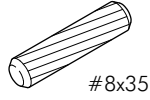
## -BODY SET



**X4**

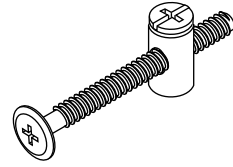


**X4**



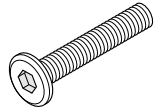
#8x35

**X4**



# JCB+ M6x60

**X6**



#TFL4 M8x50

**X3**



**X3**



#M4x16(P)

**X16**

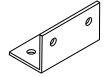


**X3**



#M4

**X1**

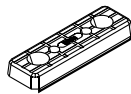


**X2**



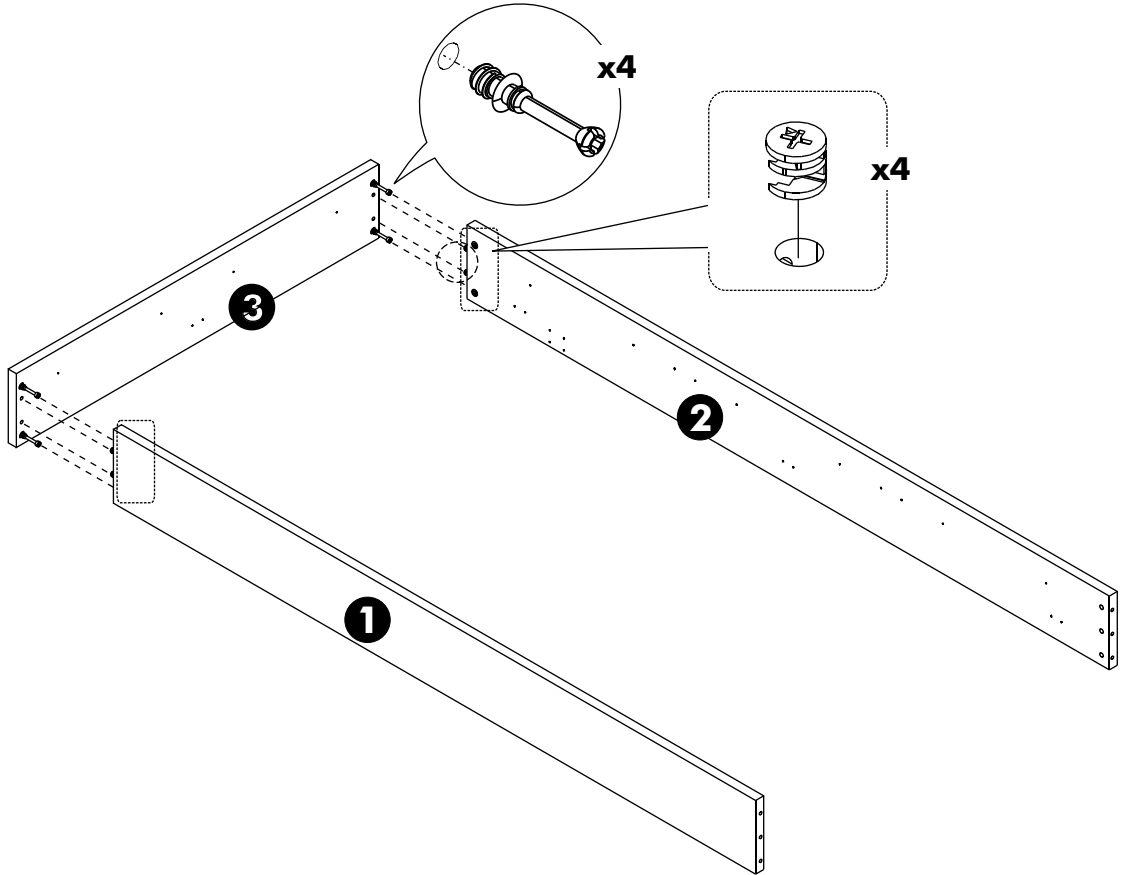
M4x16mm.

**X4**

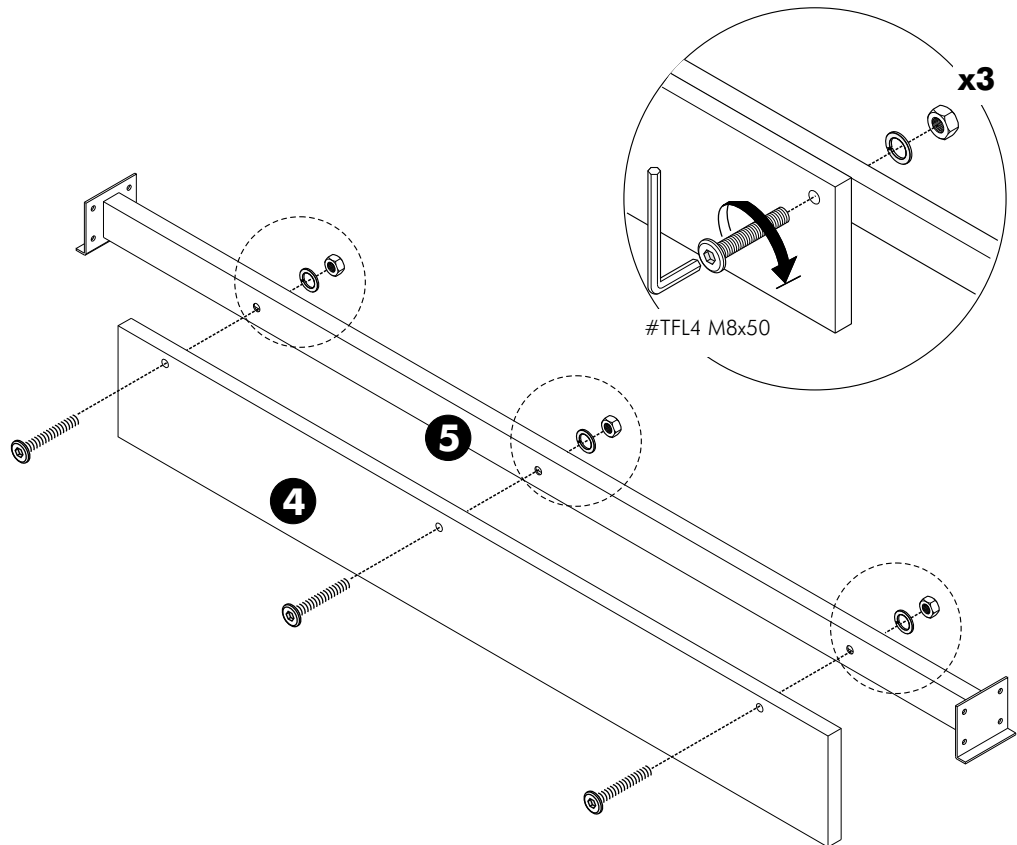


**X2**

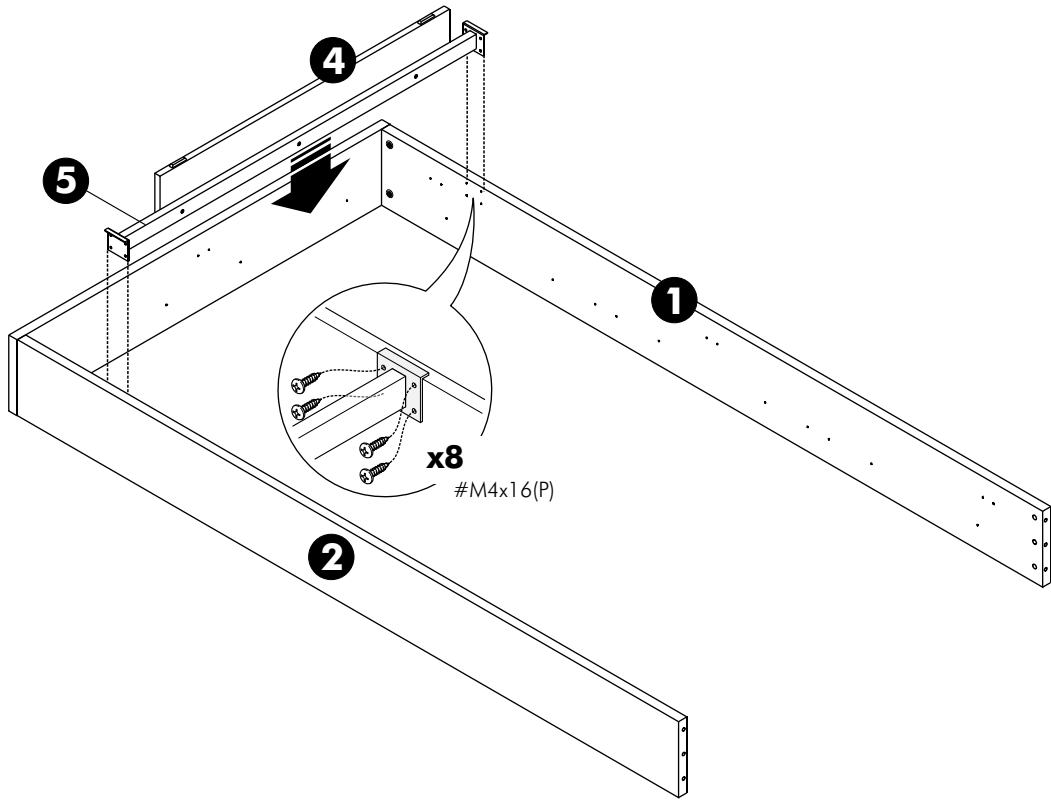
**1.**



**2.**



3.



100217-0 110026895

4.

