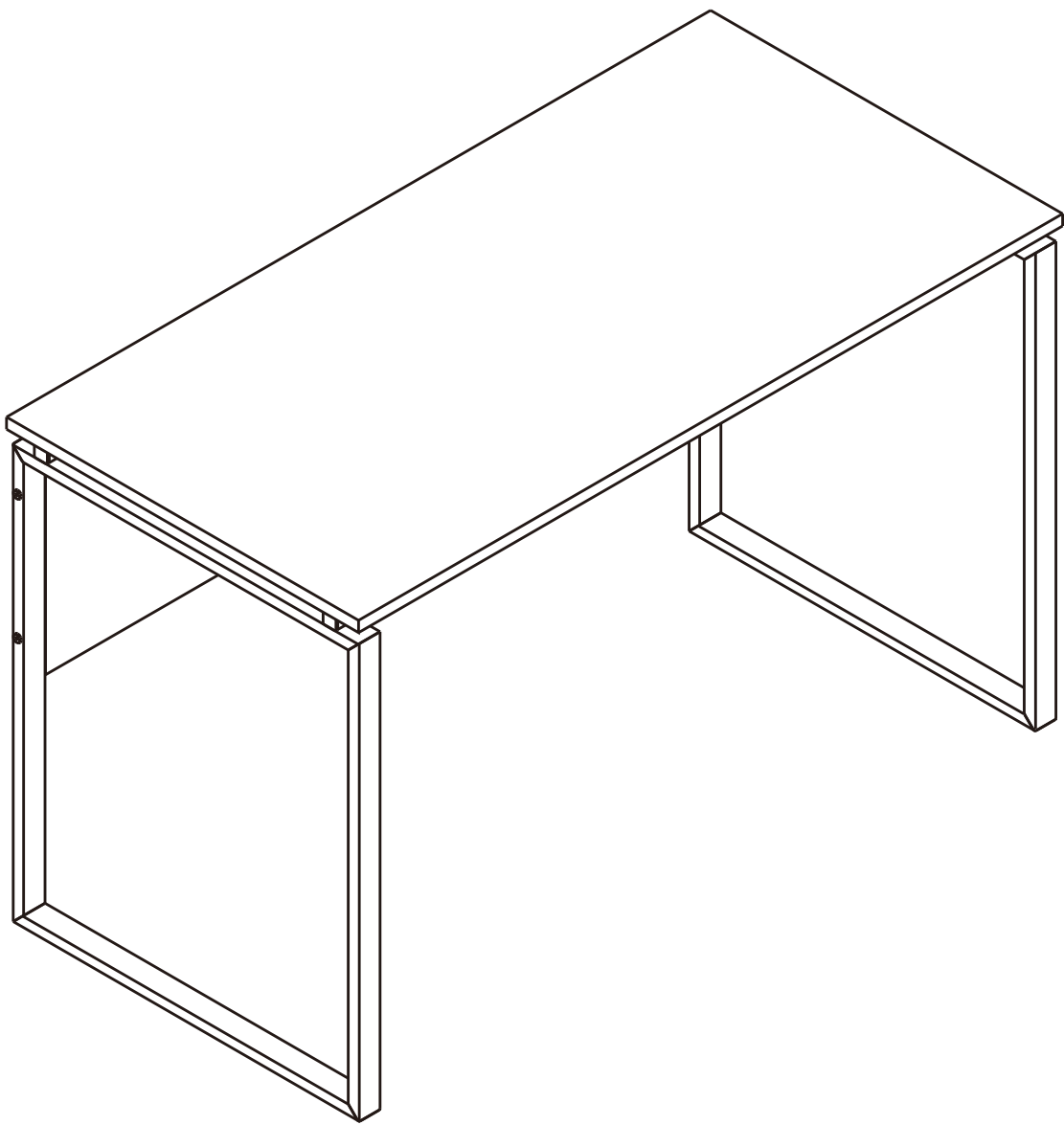


DALEY

Working table 120 cm



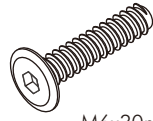
HARDWARE

-BODY SET



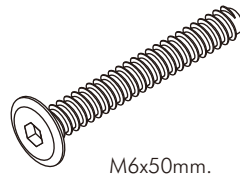
M6x15mm.

x 8



M6x30mm.

x 6



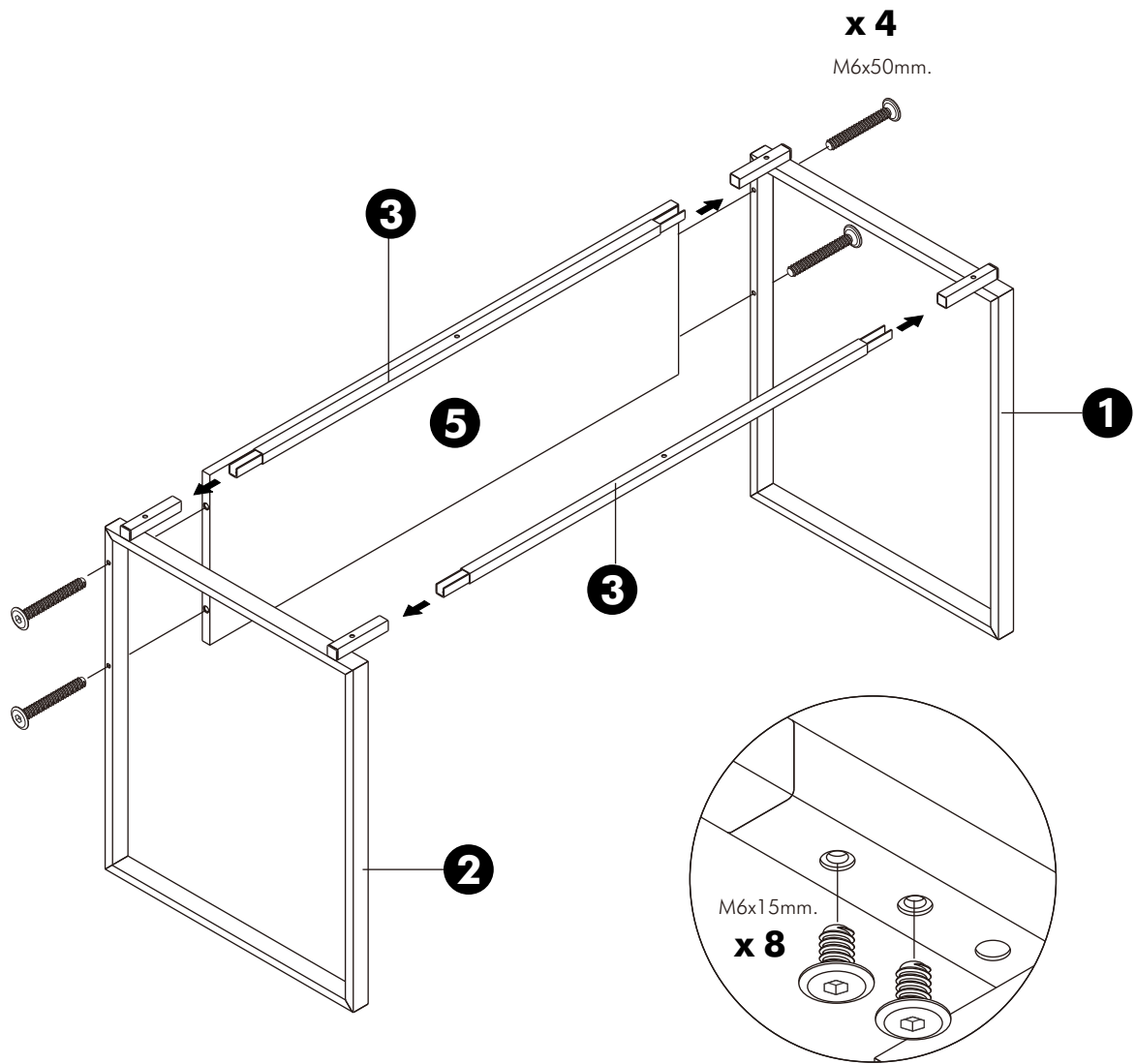
M6x50mm.

x 4



x 1

1.



2.

