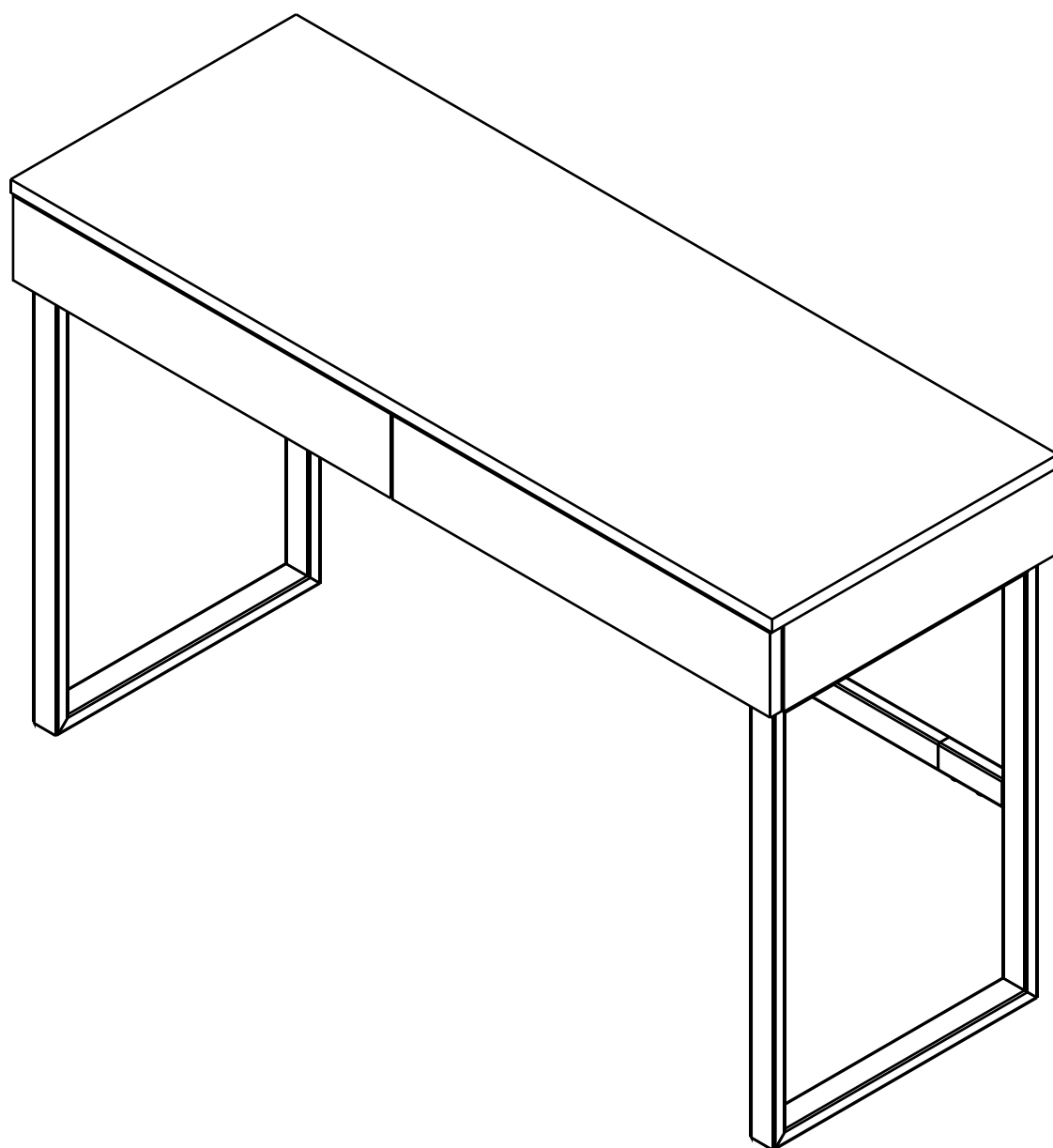


CALACATTA

Working Table 120cm.



CONNECT SYSTEM

1

3

2

(Connecting bolts)

WHEN FITTING CAMS
 ENSURE STARTING POSITION IS CORRECT
 BEFORE YOU INSERT CONNECTING BOLT
 TURN CLOCKWISE UNTIL SECURE

✓

↑
CORRECT

✗

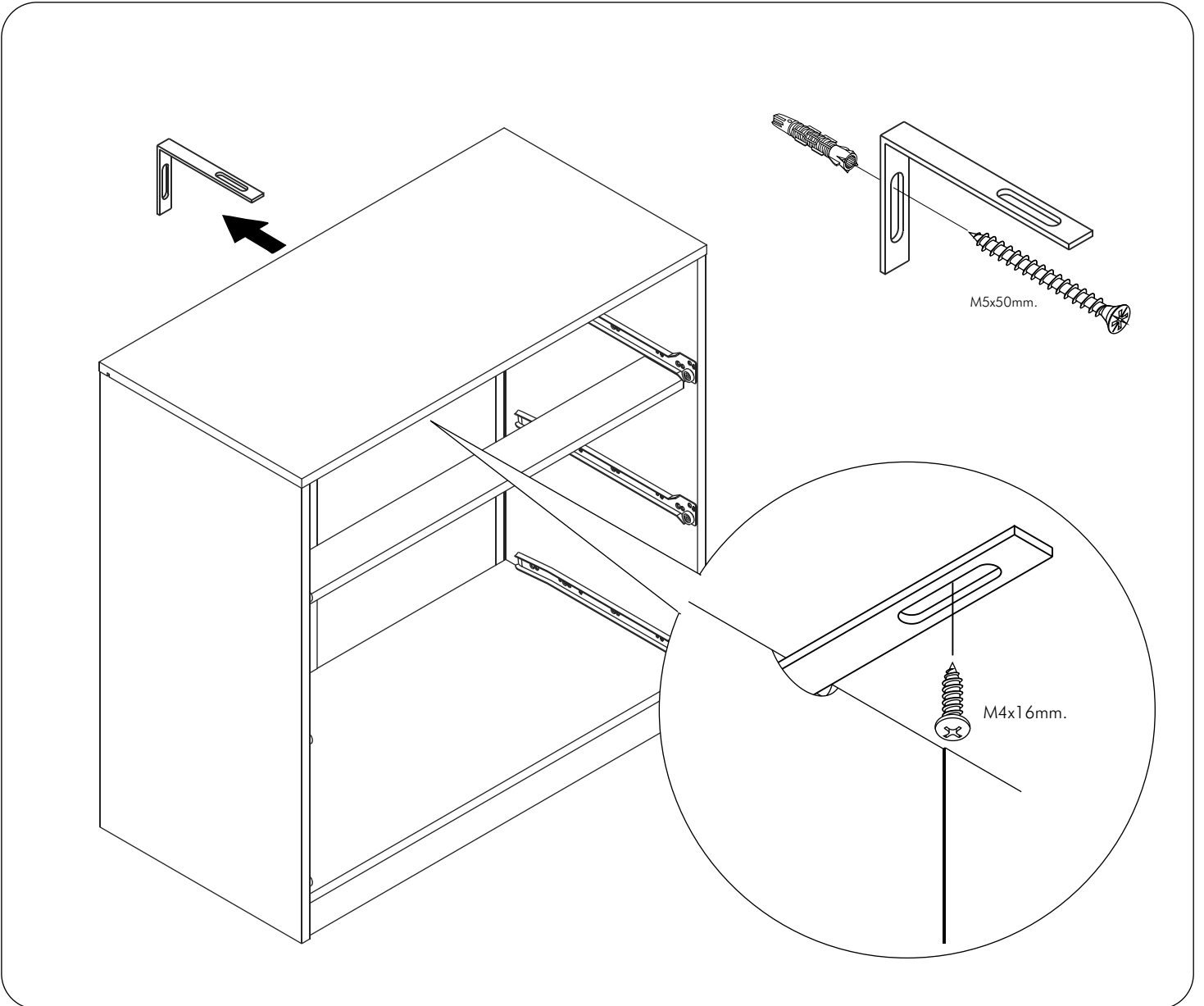
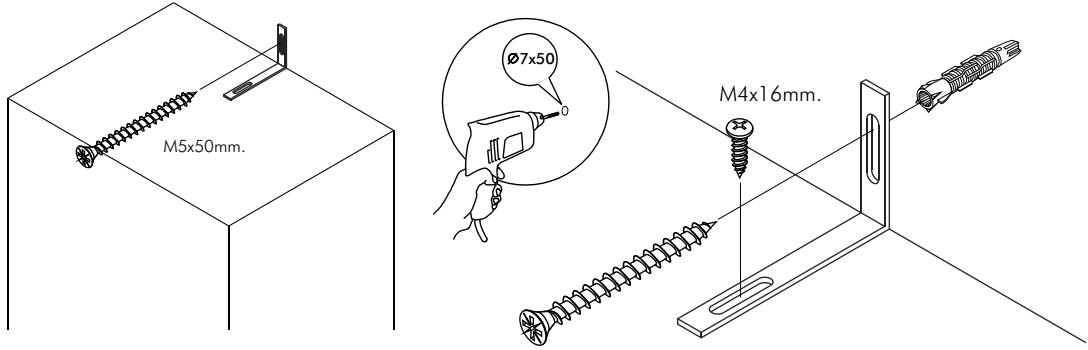
WRONG

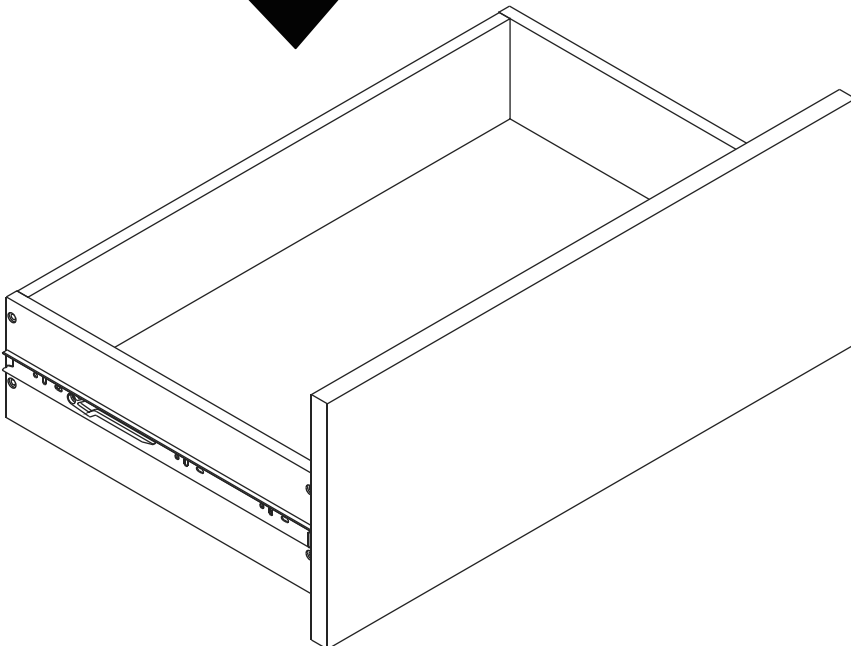
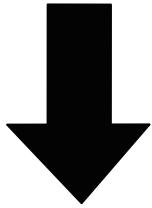
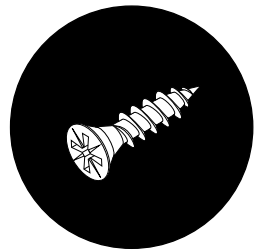
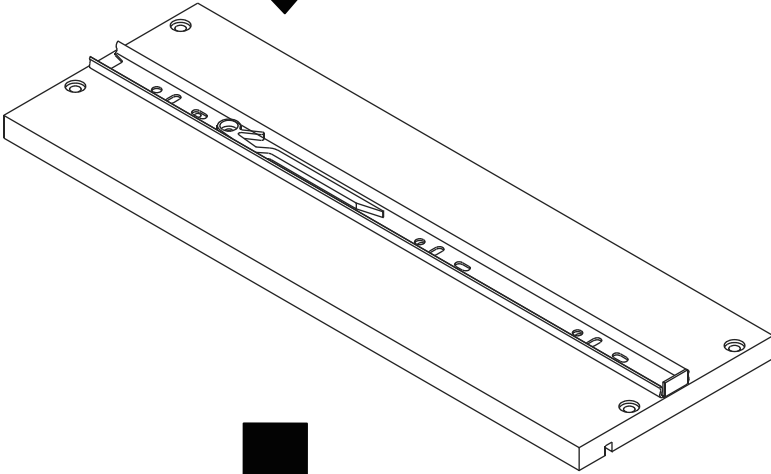
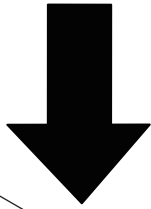
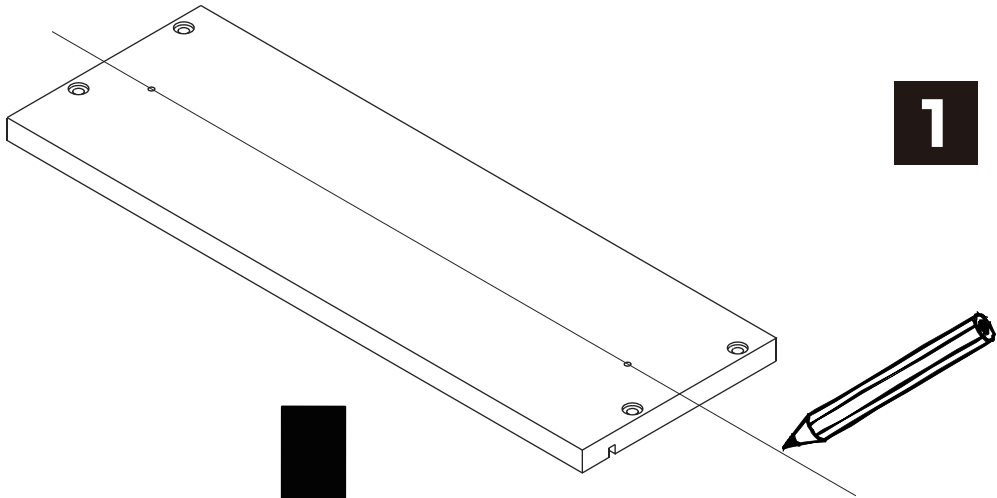
M3.5x13mm.

1

2

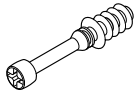
M3.5x13mm.





HARDWARE

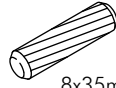
-BODY SET



x 14



x 14



8x35mm.

x 16



M4x40mm.

x 2

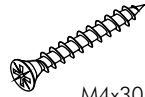


M6x15mm.

x 8

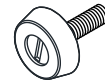


x 8



M4x30mm.

x 8

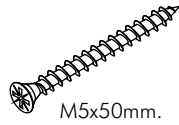


x 4



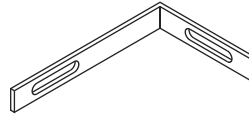
M4x16mm.

x 1

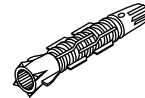


M5x50mm.

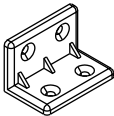
x 1



x 1



x 1



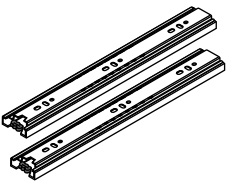
x 2



M4x16mm.

x 8

-DRAWER SET



x 2



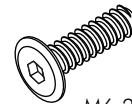
M3.5x13mm.

x 24



M4x40mm.

x 20



M6x23mm.

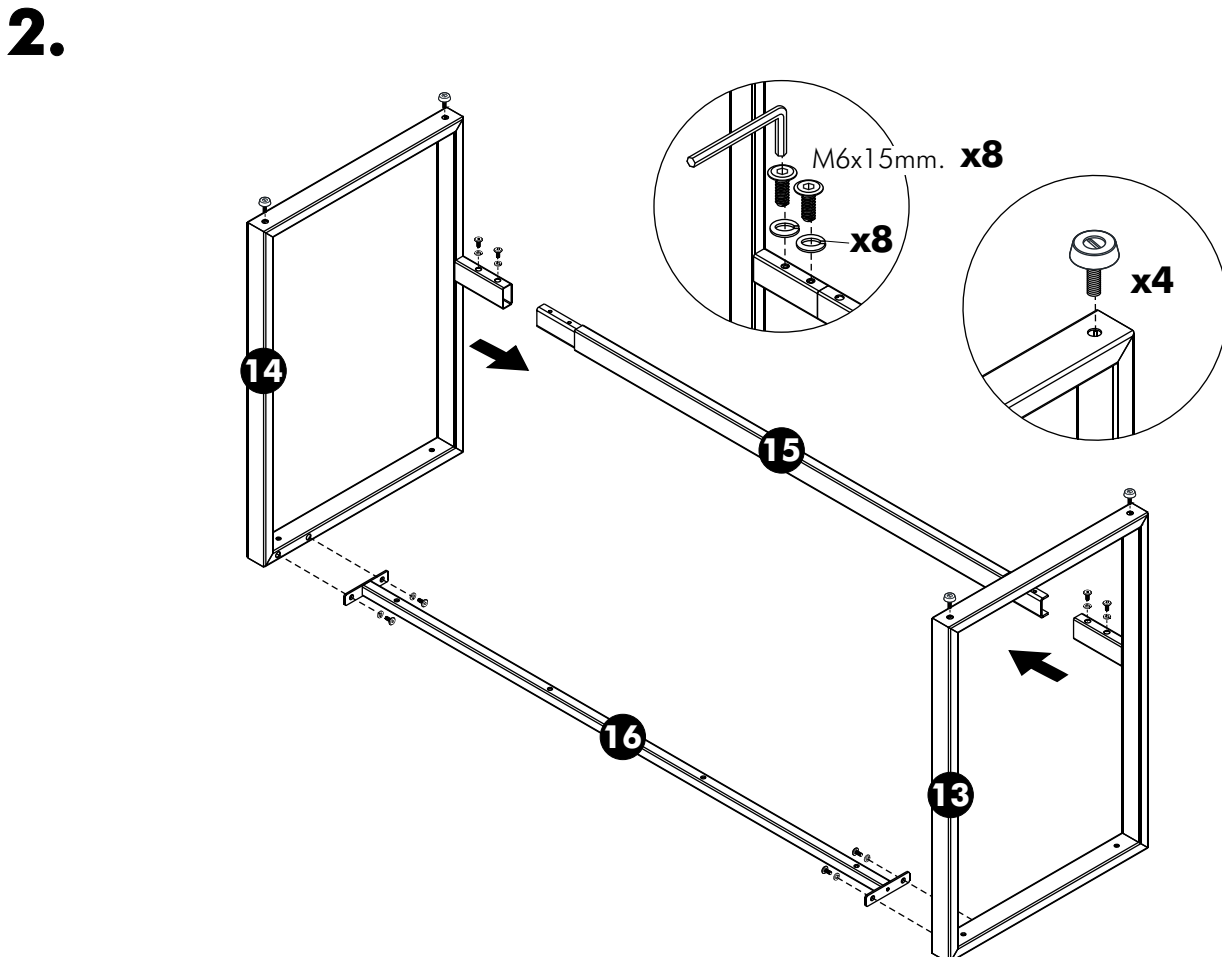
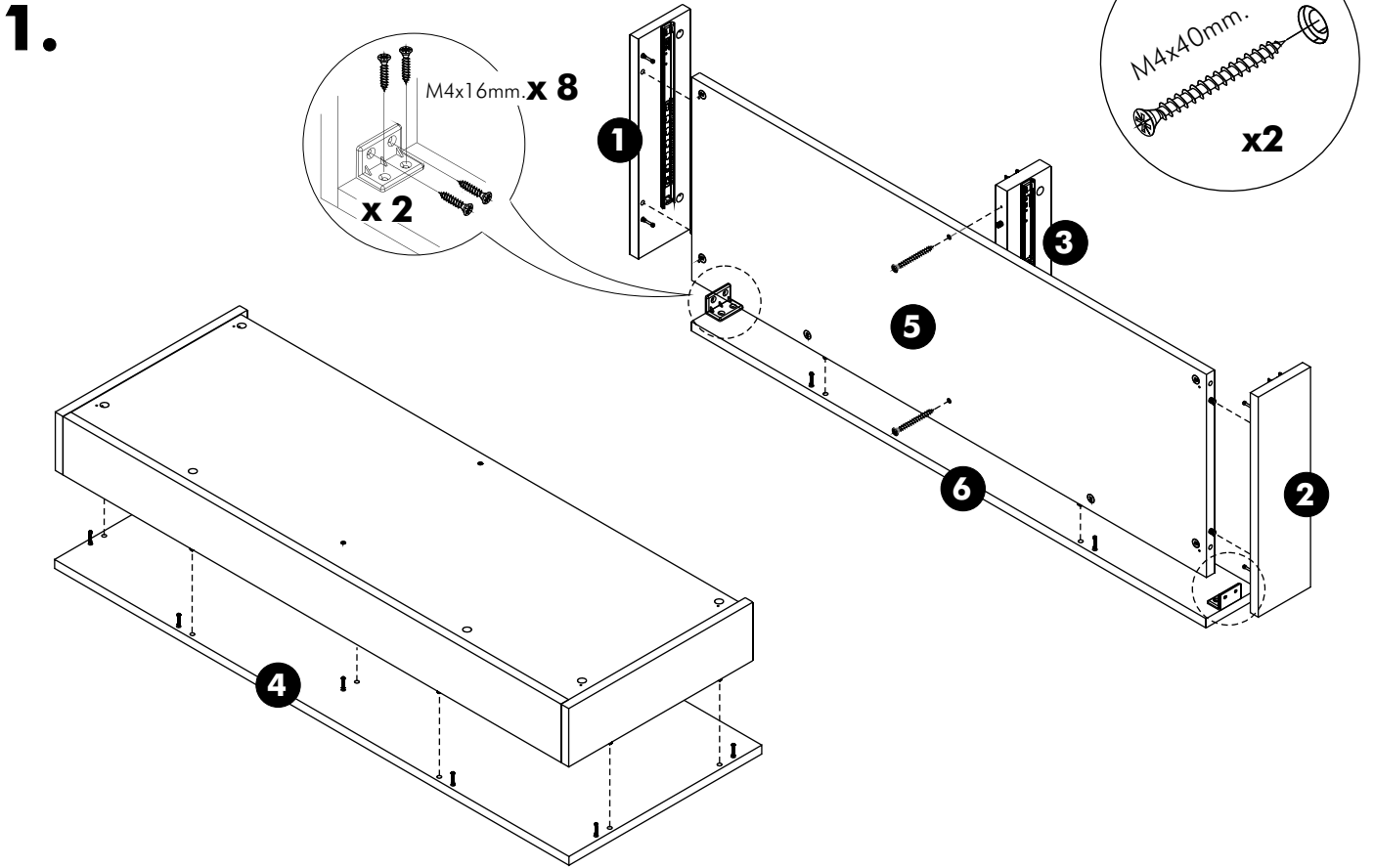
x 6



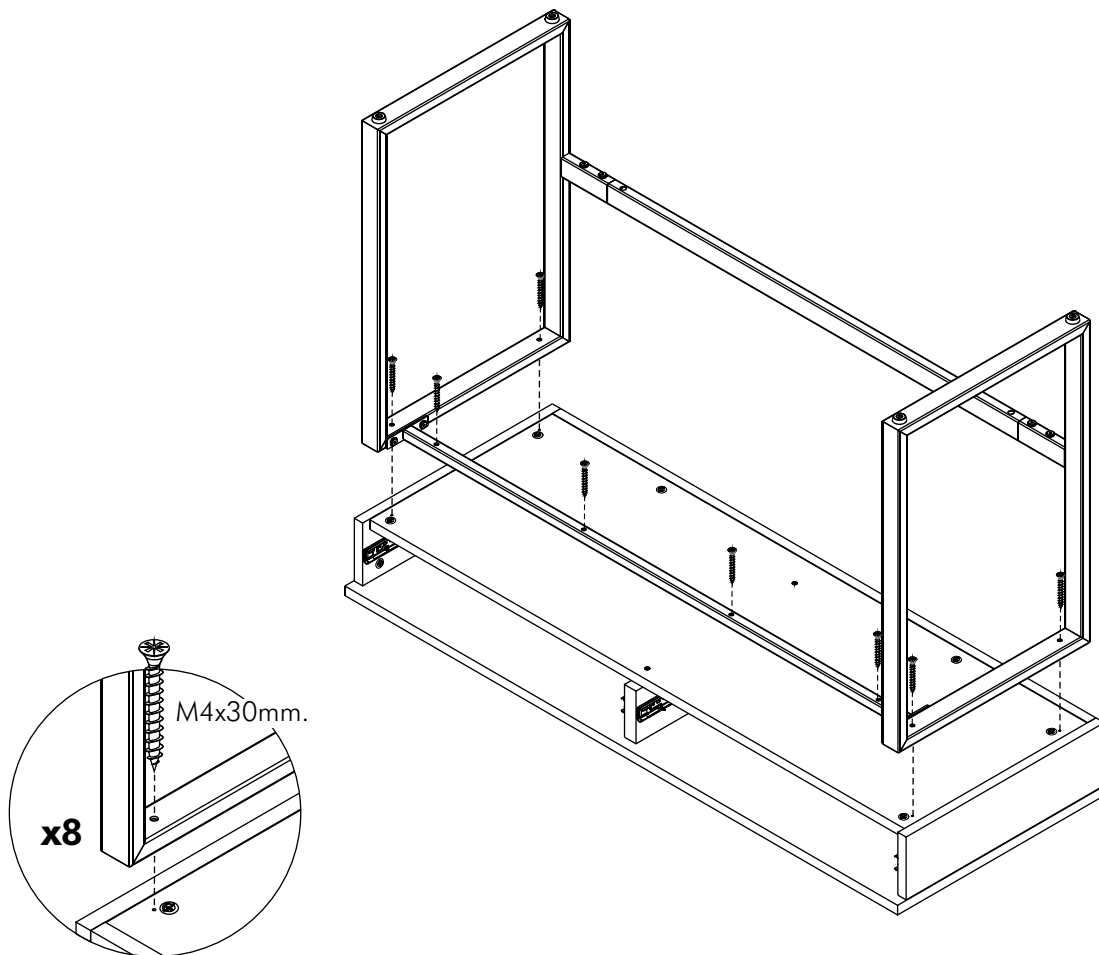
x 1

ASSEMBLY

-BODY SET



3.



ASSEMBLY

-DRAWER SET

2 set.

