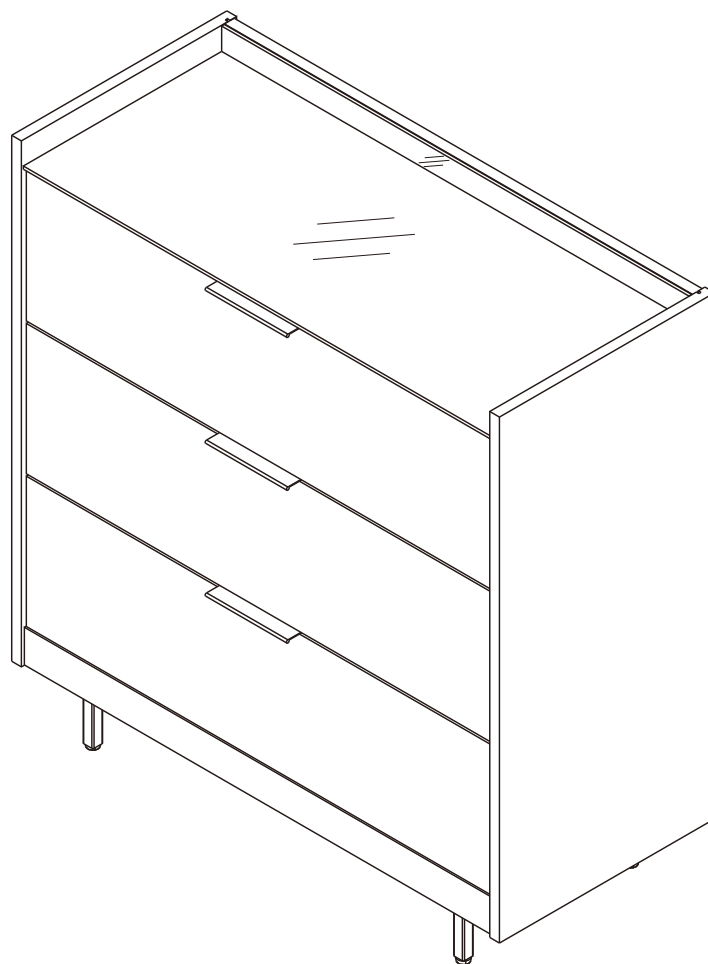


CALACATTA

3 Drawer 90 cm.



CONNECT SYSTEM

1

3

2

(Connecting bolts)

WHEN FITTING CAMS
 ENSURE STARTING POSITION IS CORRECT
 BEFORE YOU INSERT CONNECTING BOLT
 TURN CLOCKWISE UNTIL SECURE

✓

↑

CORRECT

✗

↑

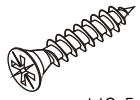
WRONG

M3.5x13mm.

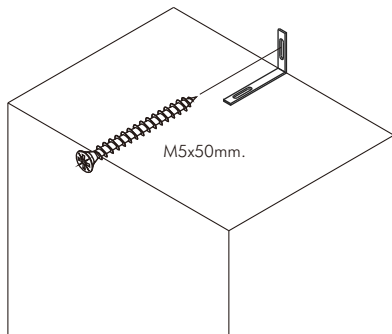
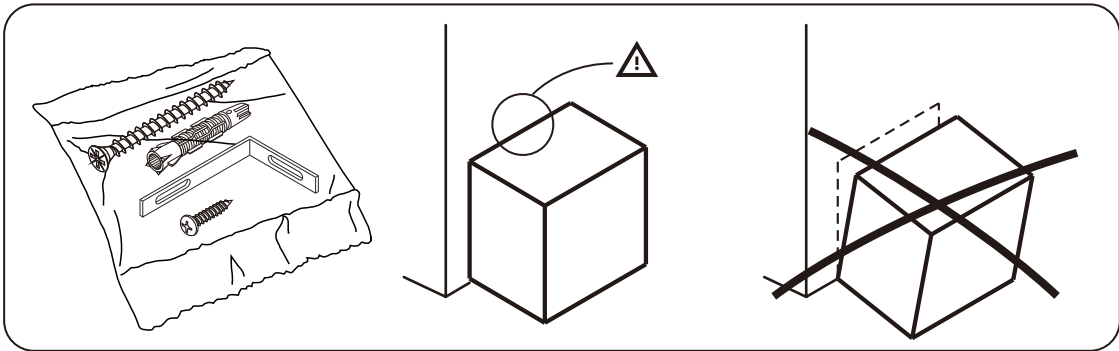
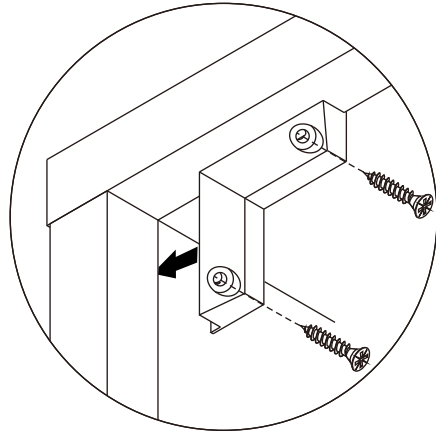
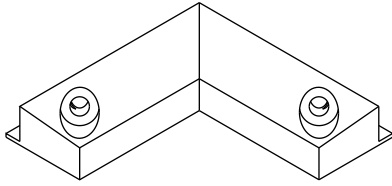
1

2

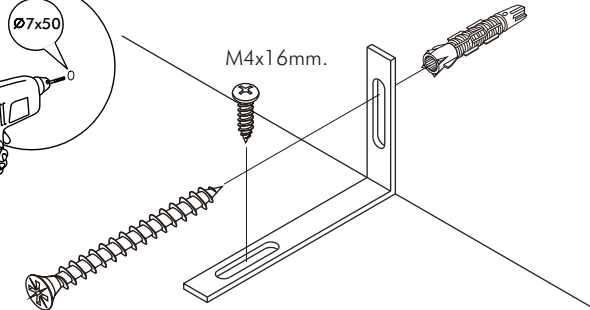
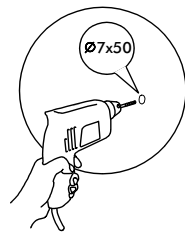
M3.5x20mm.



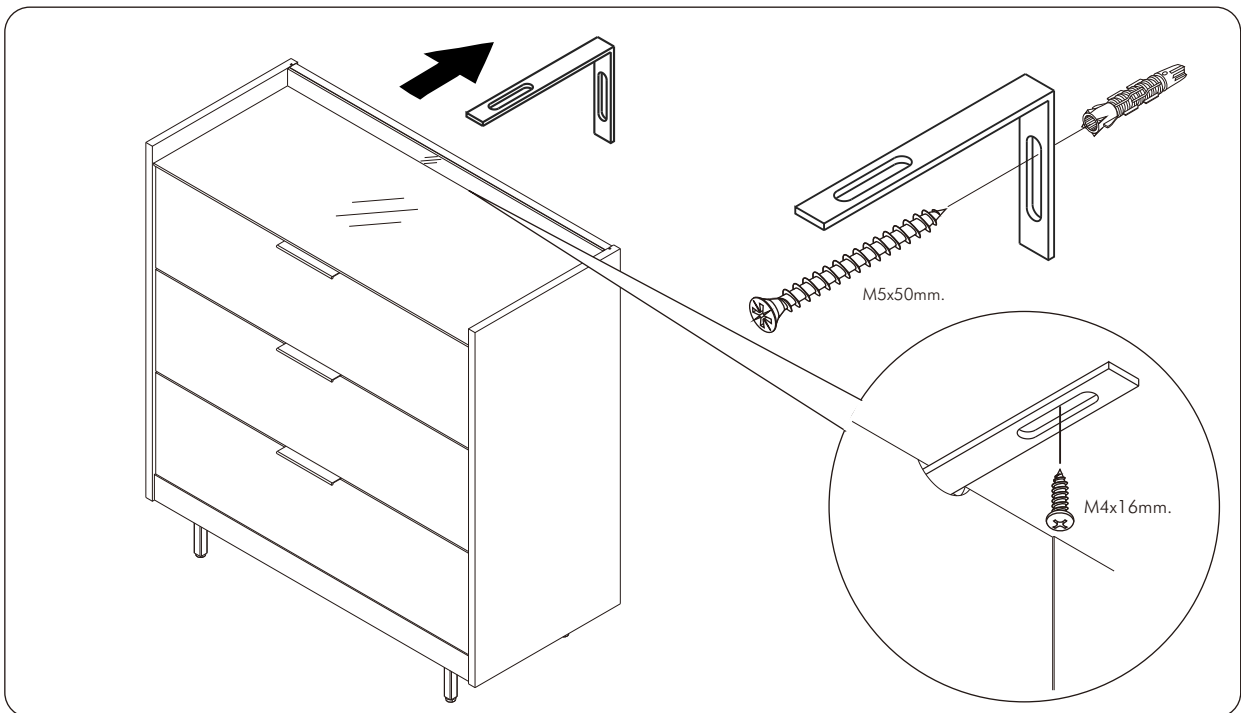
M3.5x20mm.



M5x50mm.



M4x16mm.

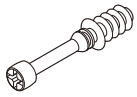


M5x50mm.

M4x16mm.

HARDWARE

-BODY SET



x 12

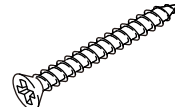


x 12



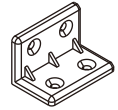
8x35mm.

x 24

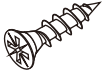


M4x40mm.

x 6



x 7

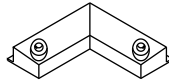


M4x16mm.

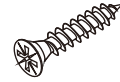
x 32



x 6



x 4

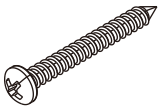


M3.5x20mm.

x 12

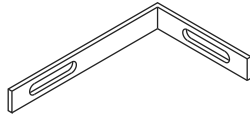


x 4

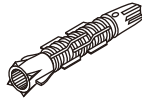


M4x30mm.

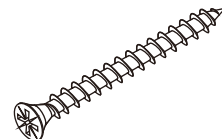
x 12



x 1



x 1



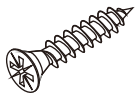
M5x50mm.

x 1



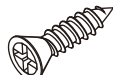
M4x16mm.

x 9



M4x25mm.

x 4



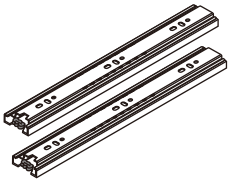
#6x1/2"

x 8



x 2

-DRAWER SET



x 3



M3.5x13mm.

x 36



M4x40mm.

x 36

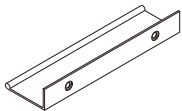


M6x23mm.

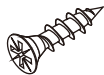
x 15



x 1



x 3

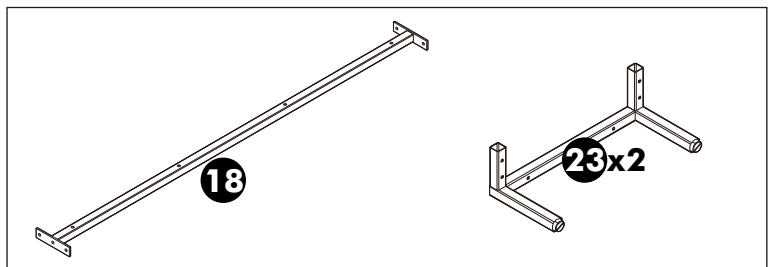


M4x16mm.

x 6



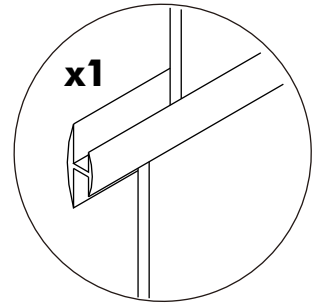
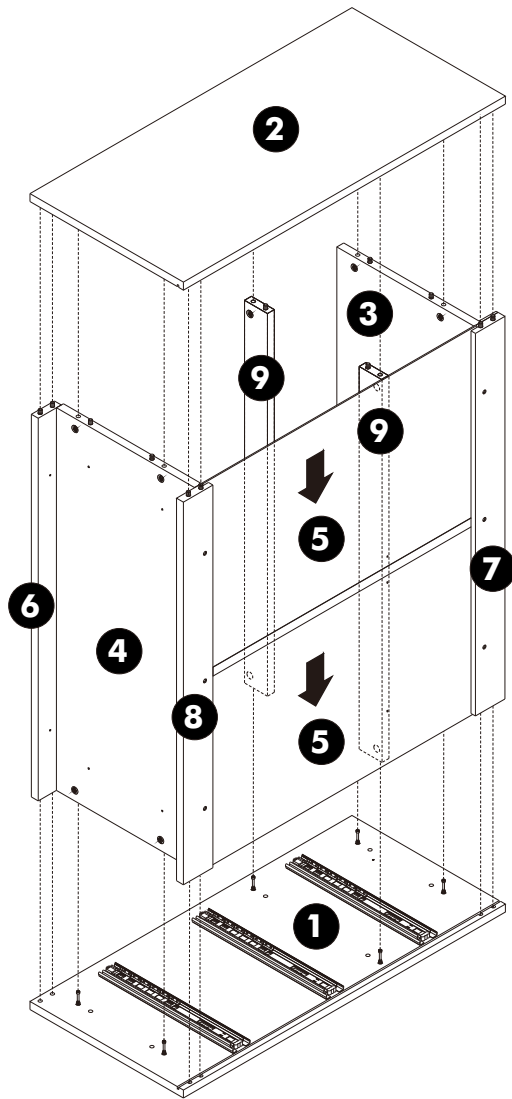
x 1



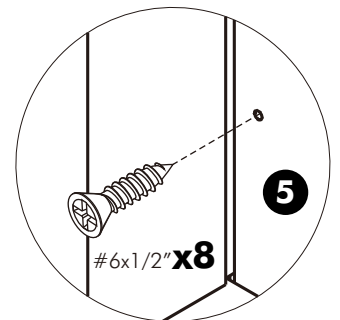
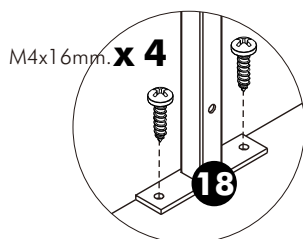
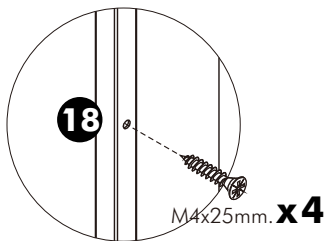
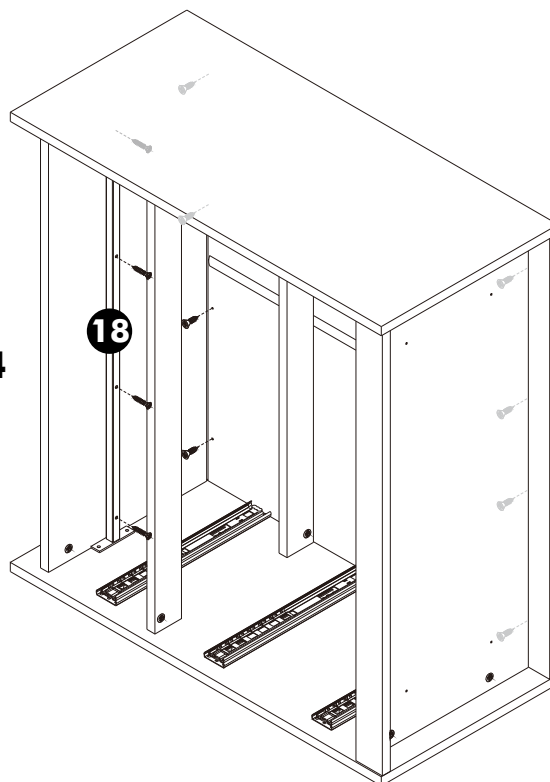
ASSEMBLY

-BODY SET

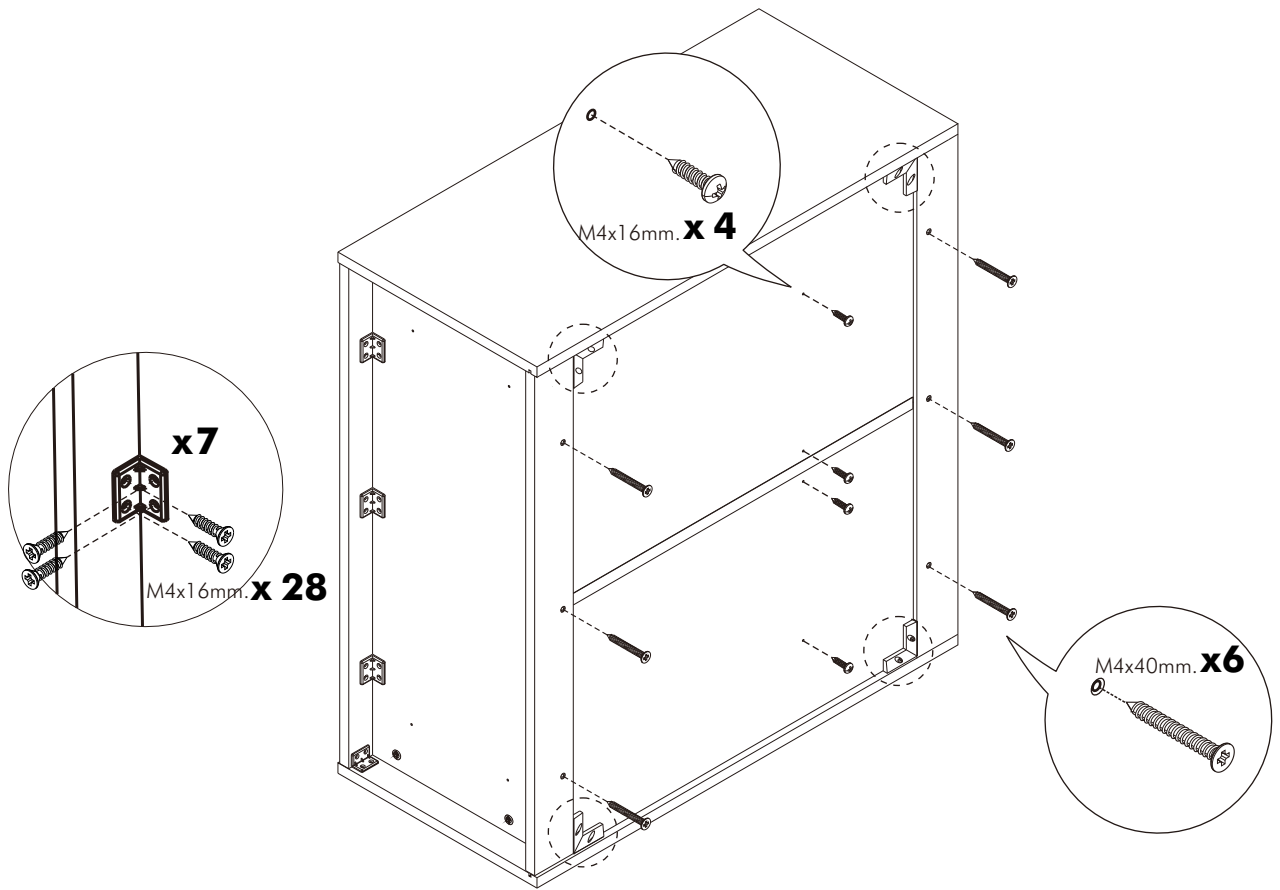
1.



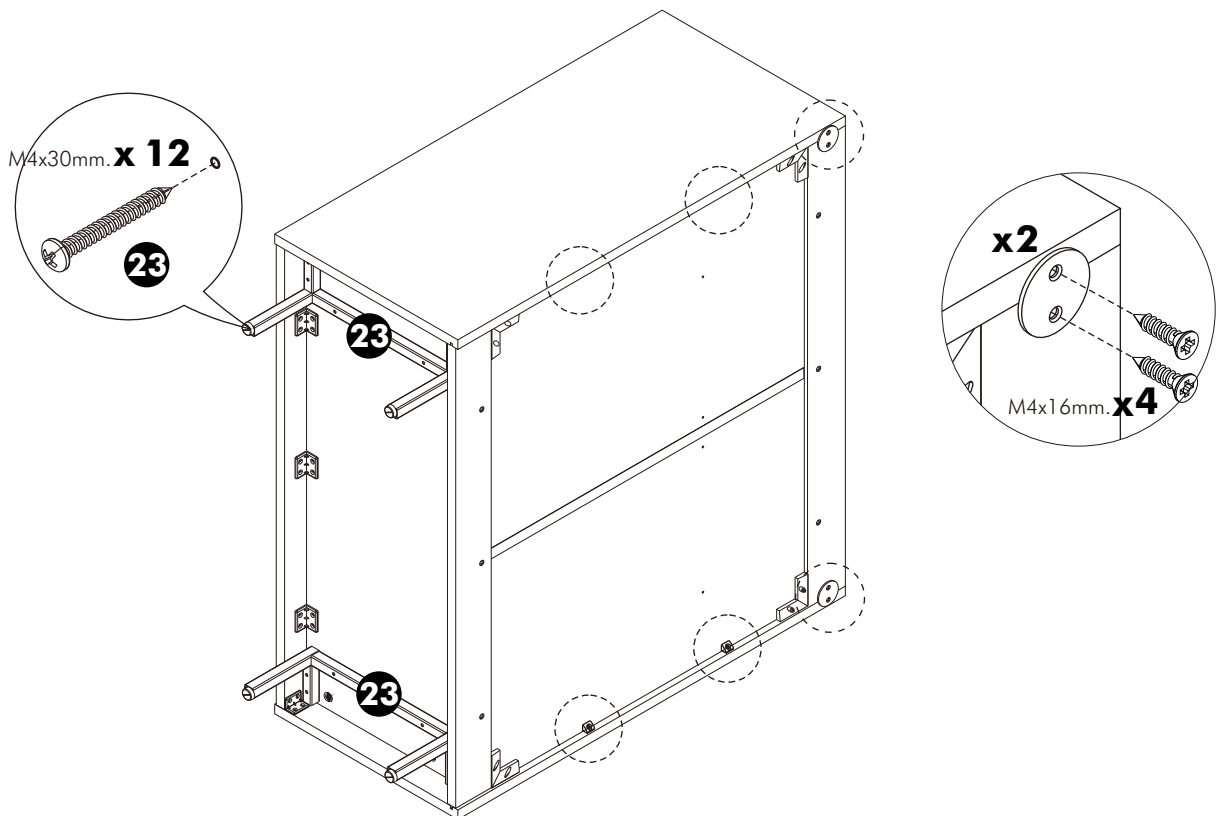
2.



3.



4.



ASSEMBLY

-DRAWER SET

3 set.

