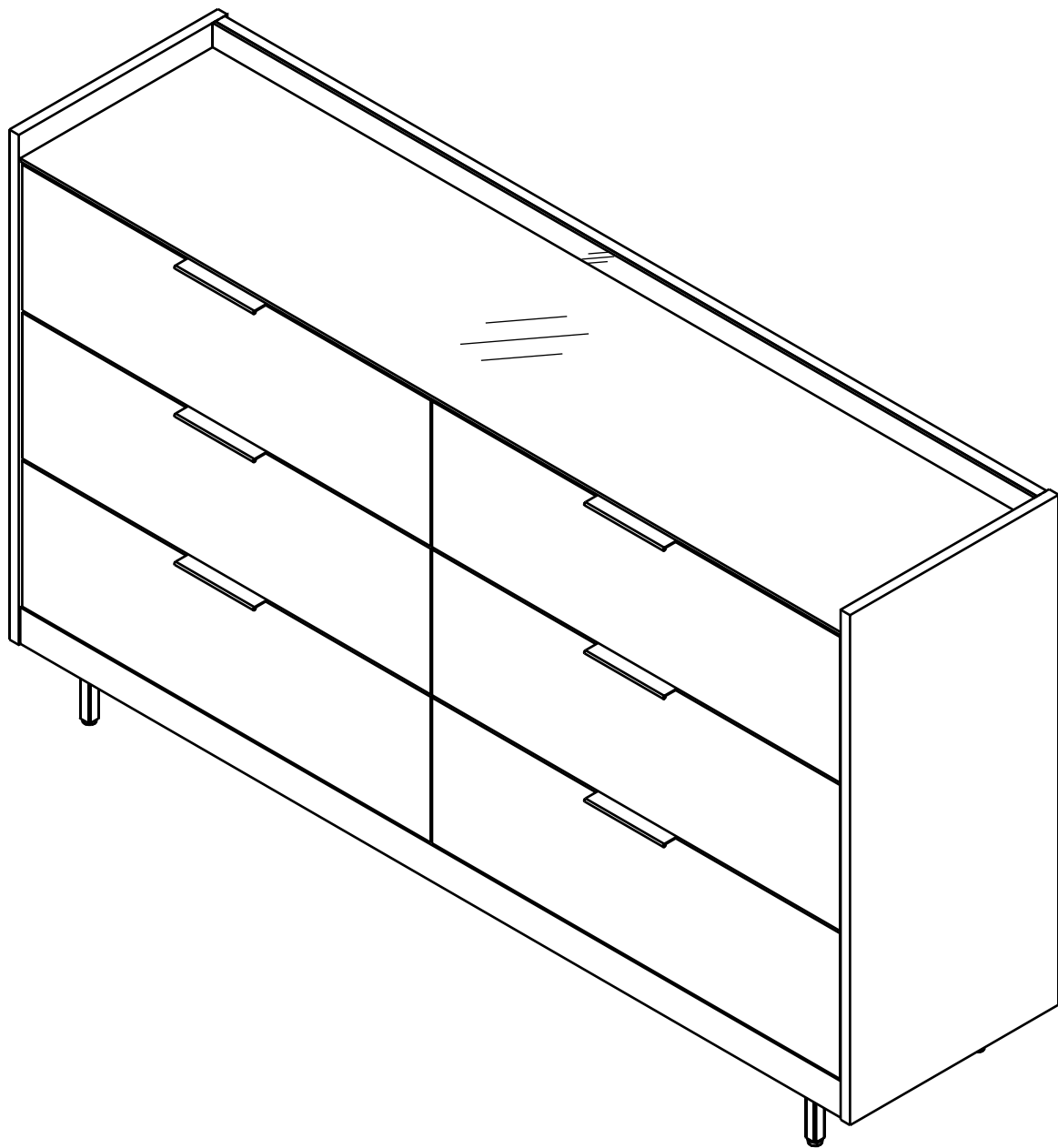
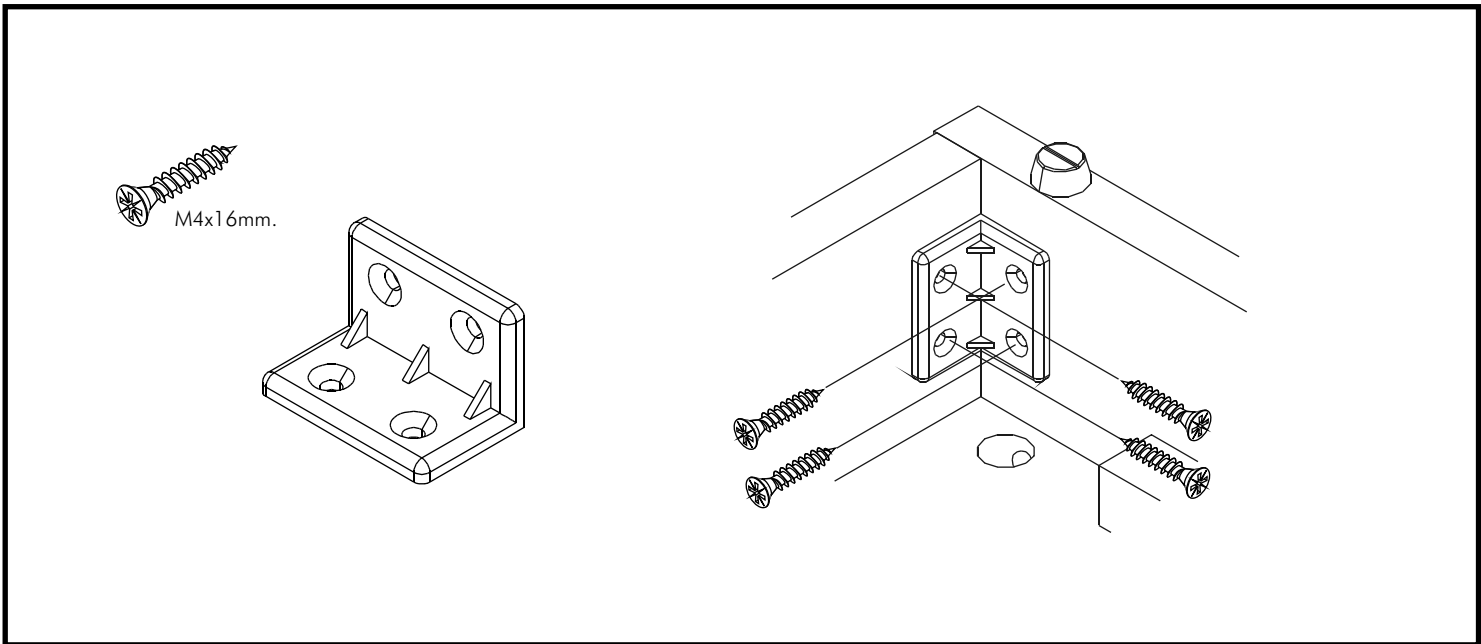
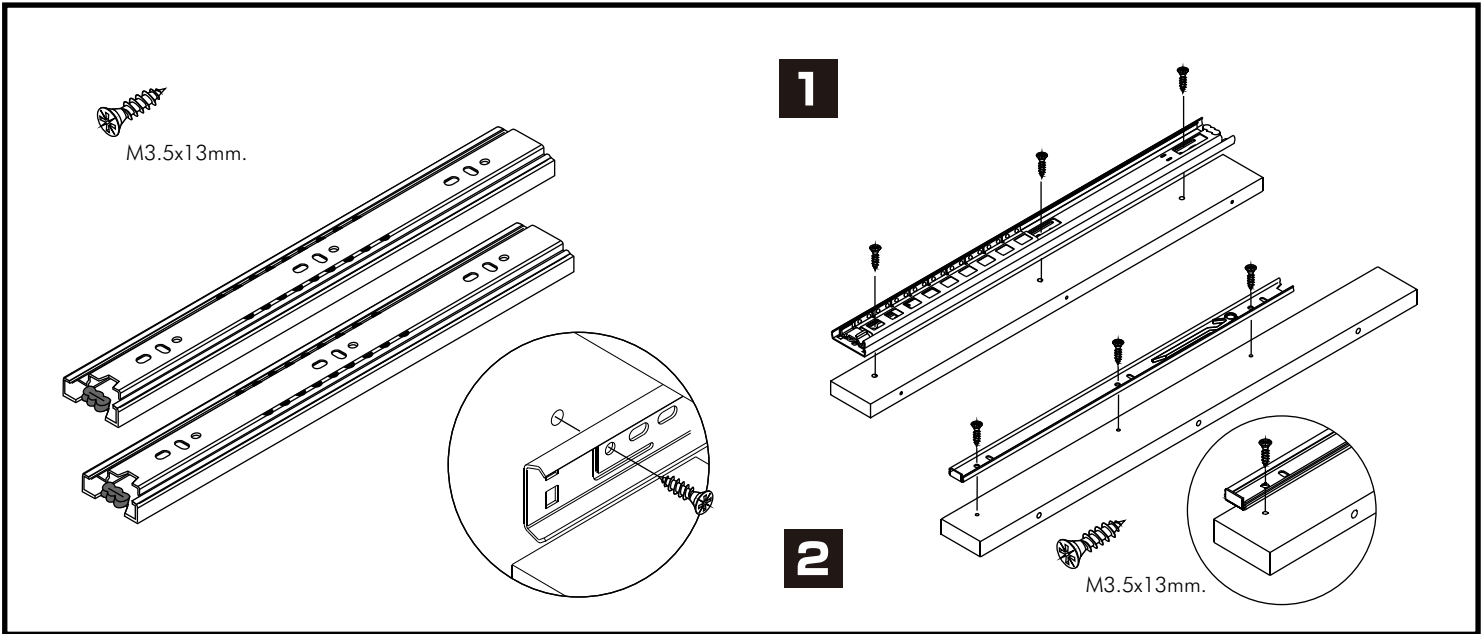


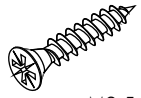
# CALACATTA

6 Drawer 160 cm.

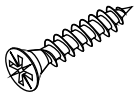
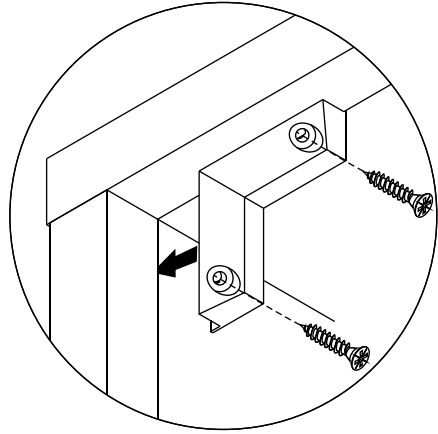
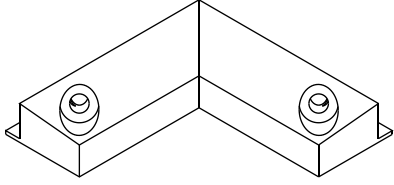


# CONNECT SYSTEM

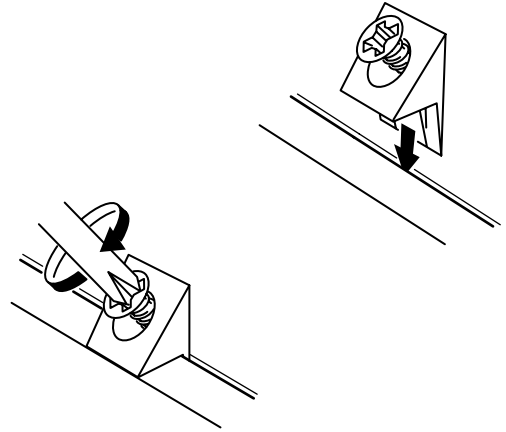
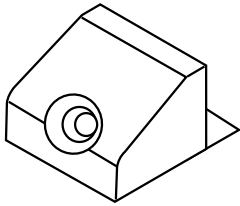


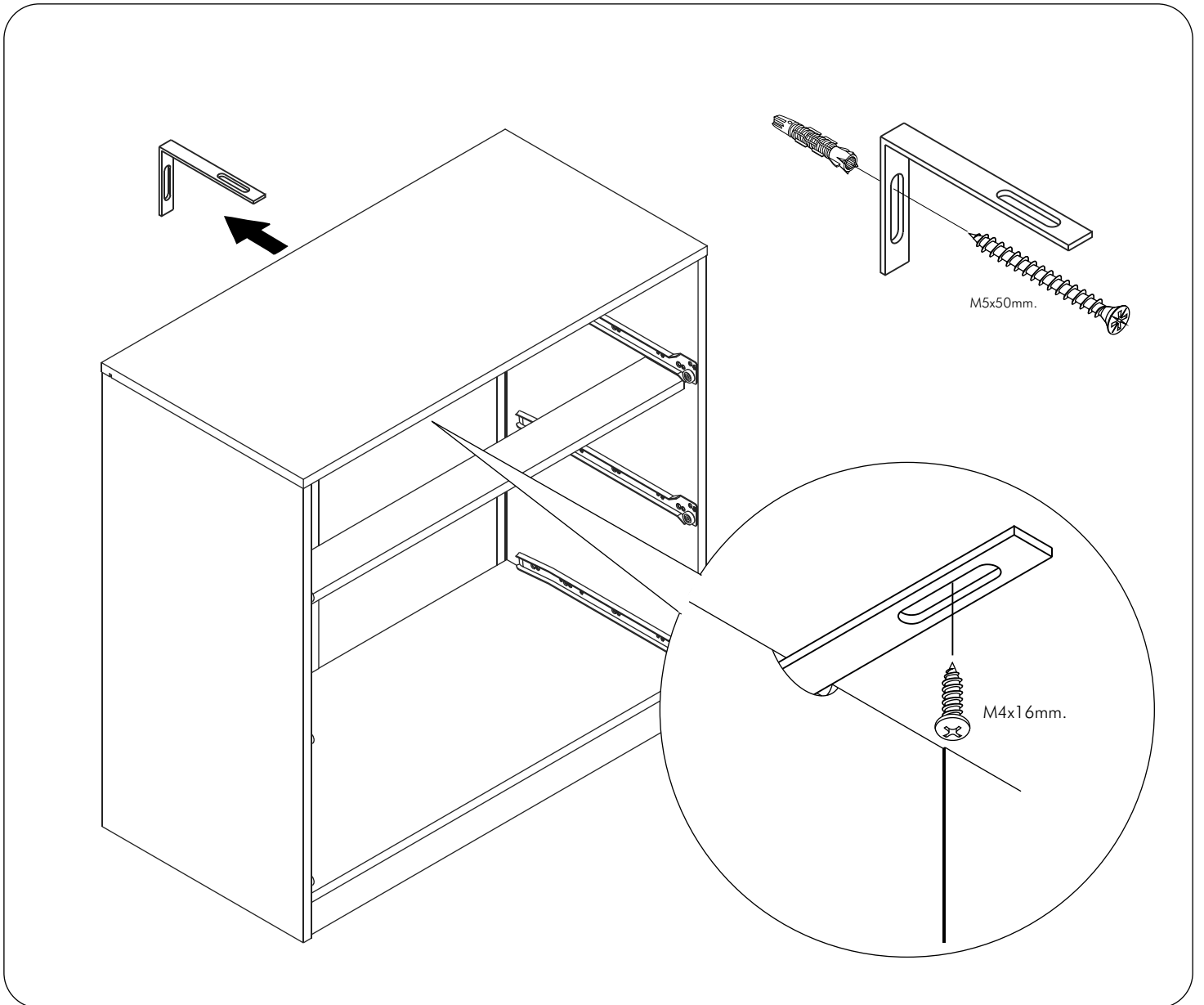
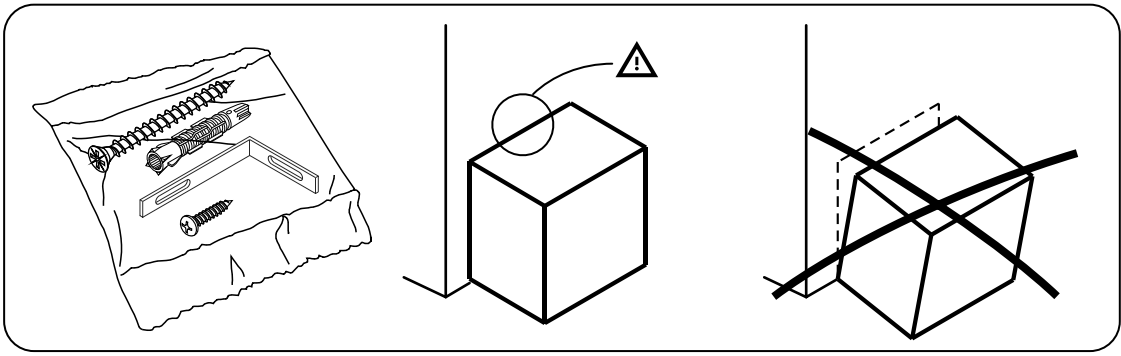


M3.5x20mm.



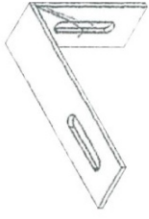
M3.5x20mm.



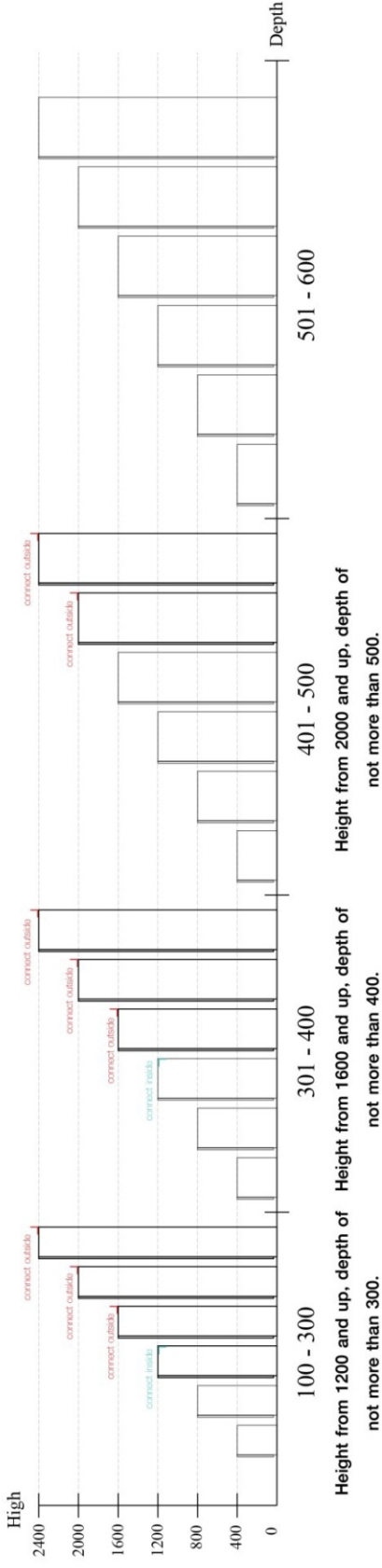


**The Standard for identifying which mounted safety fall protection fitting to use** **Note : That children's products must be installed with all anti-falling fittings.**

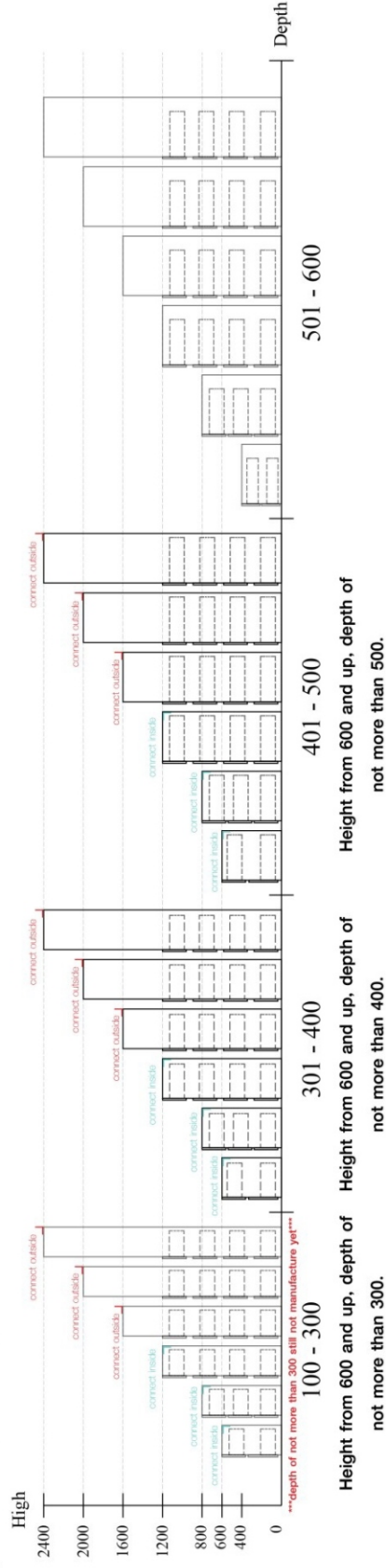
■ Mounted fall protection fittings



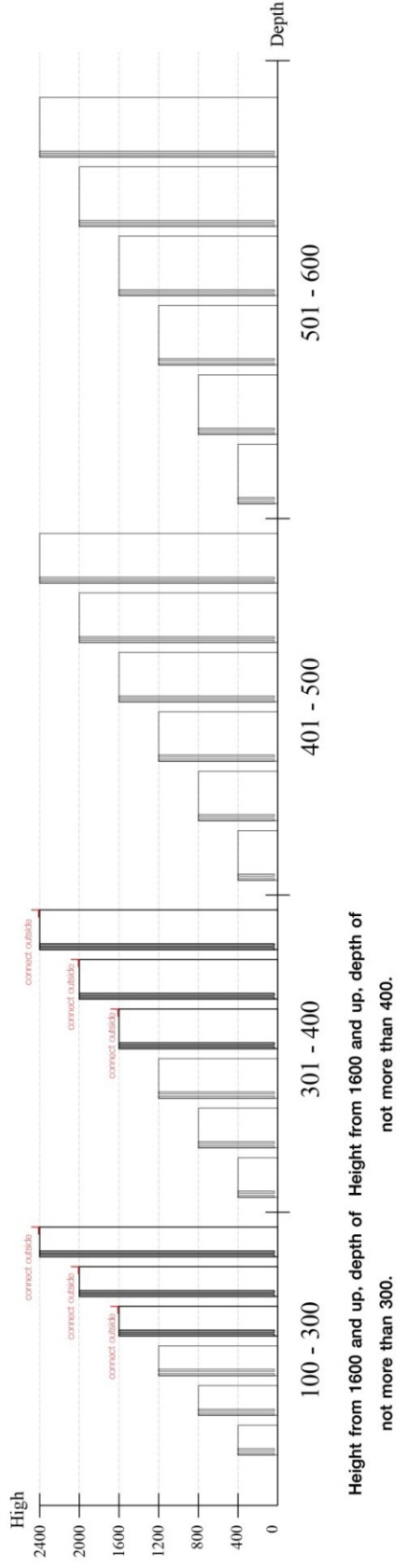
■ Category : Cabinet with open doors

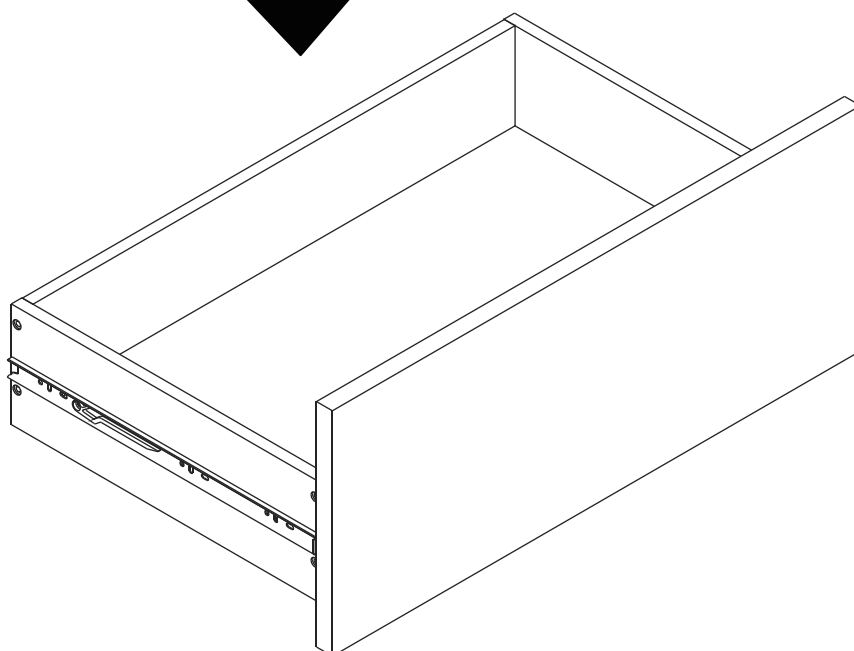
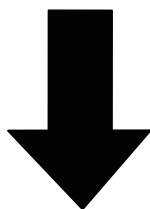
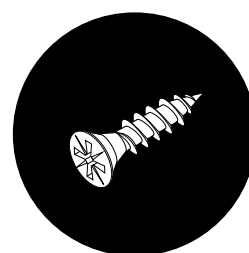
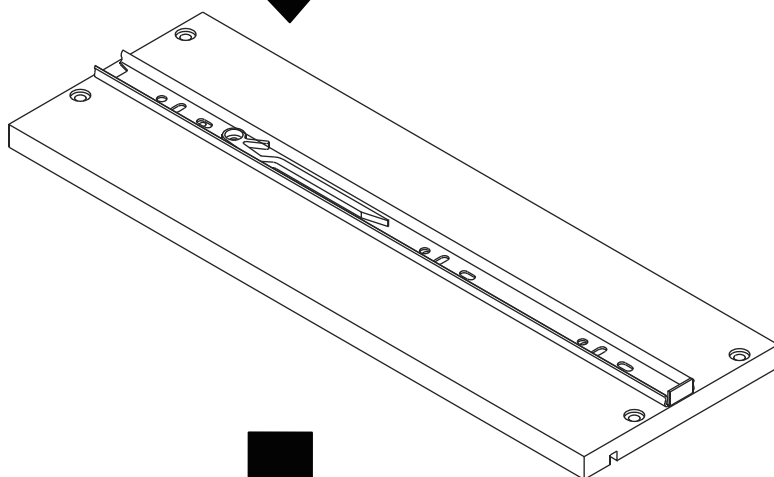
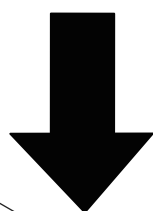
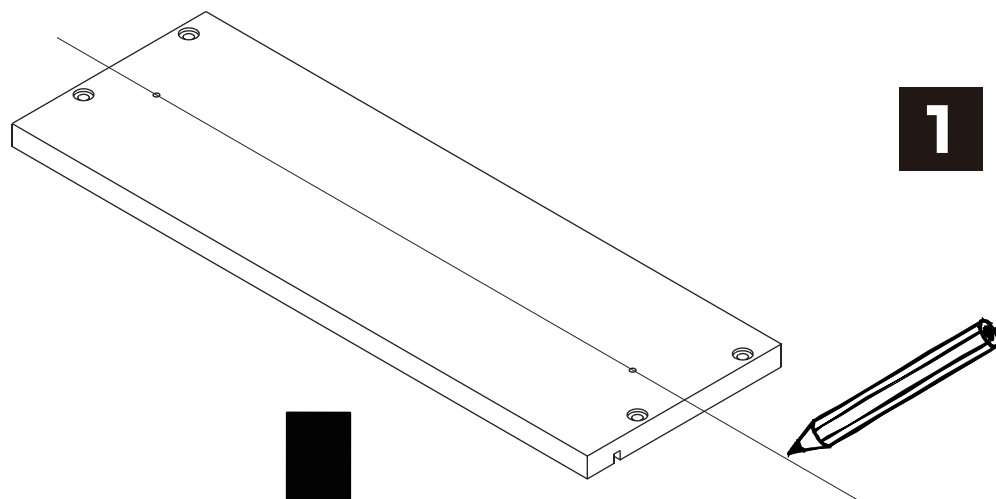


■ Category : Chest of drawers



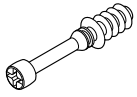
■ Category : Sliding door cabinet / Open cabinet





# HARDWARE

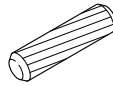
## -BODY SET



**x 18**

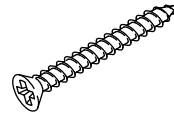


**x 18**



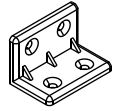
8x35mm.

**x 32**

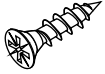


M4x40mm.

**x 8**



**x 8**

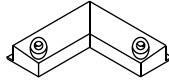


M4x16mm.

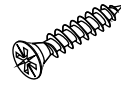
**x 36**



**x 8**



**x 4**

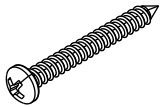


M3.5x20mm.

**x 12**

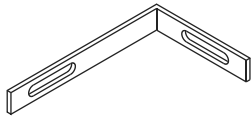


**x 4**

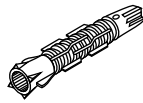


M4x30mm.

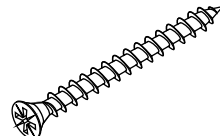
**x 12**



**x 1**

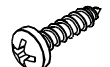


**x 1**



M5x50mm.

**x 1**



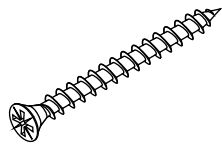
M4x16mm.

**x 15**



M4x13mm.

**x 8**

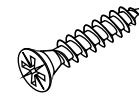


M4x50mm.

**x 2**

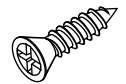


**x 2**



M4x25mm.

**x 6**



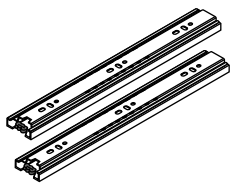
#6x1/2"

**x 16**



**x 2**

## -DRAWER SET

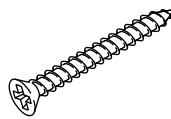


**x 6**



M3.5x13mm.

**x 72**



M4x40mm.

**x 72**

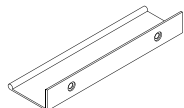


M6x23mm.

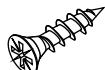
**x 30**



**x 1**



**x 6**

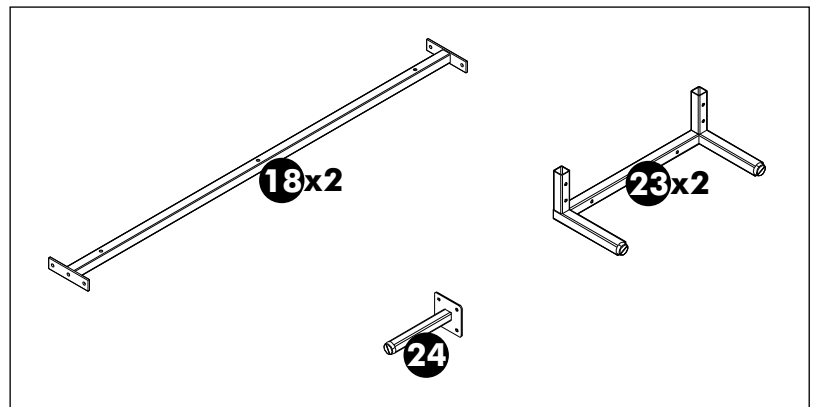


M4x16mm.

**x 12**



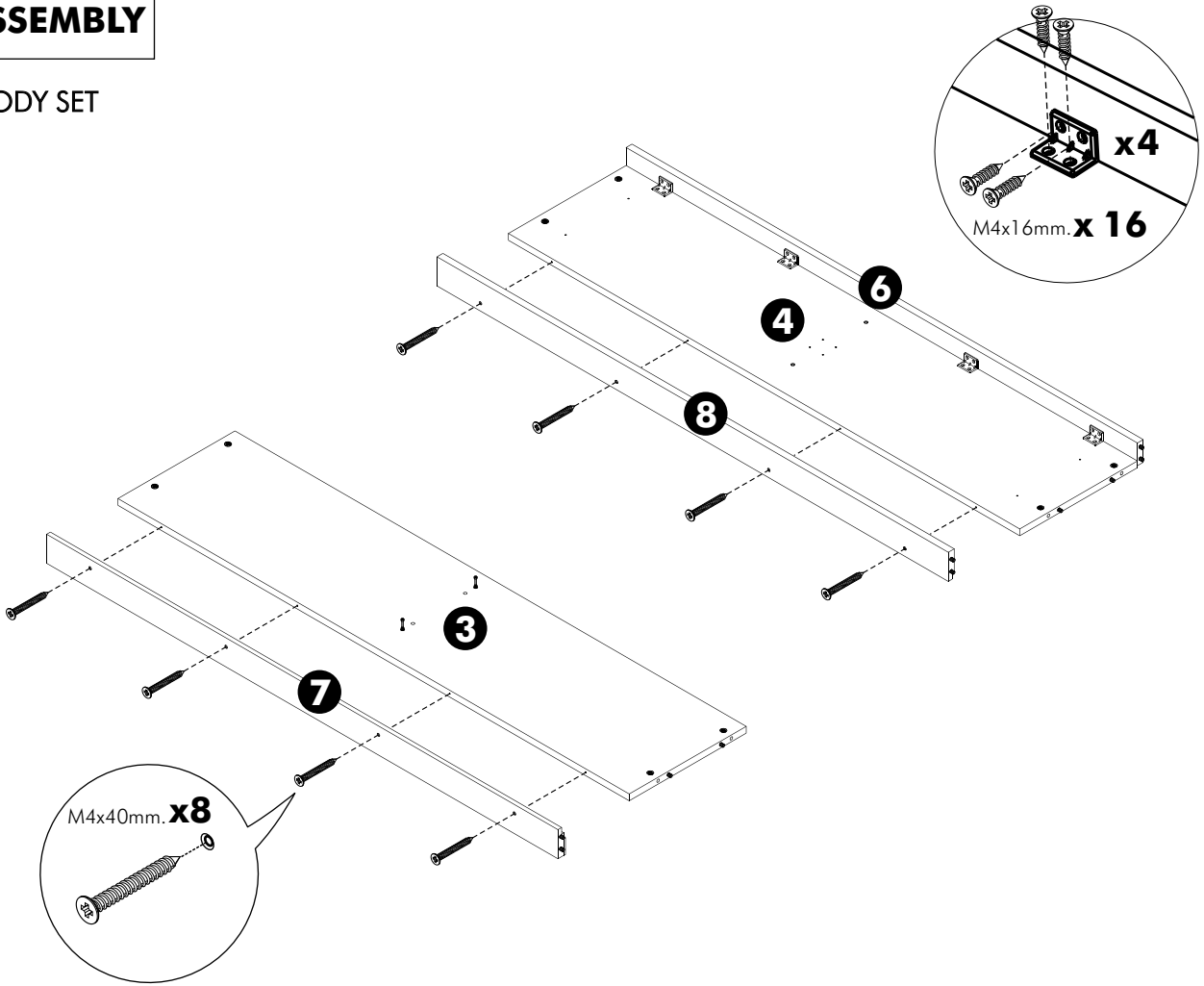
**x 1**



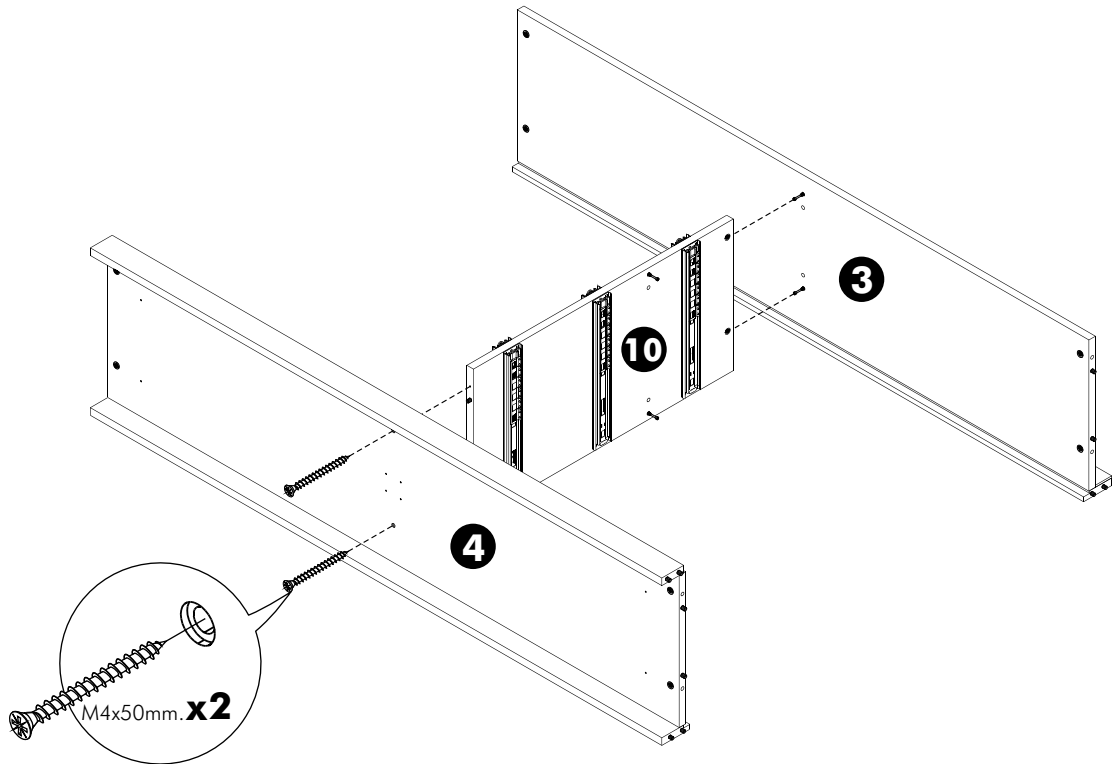
# ASSEMBLY

-BODY SET

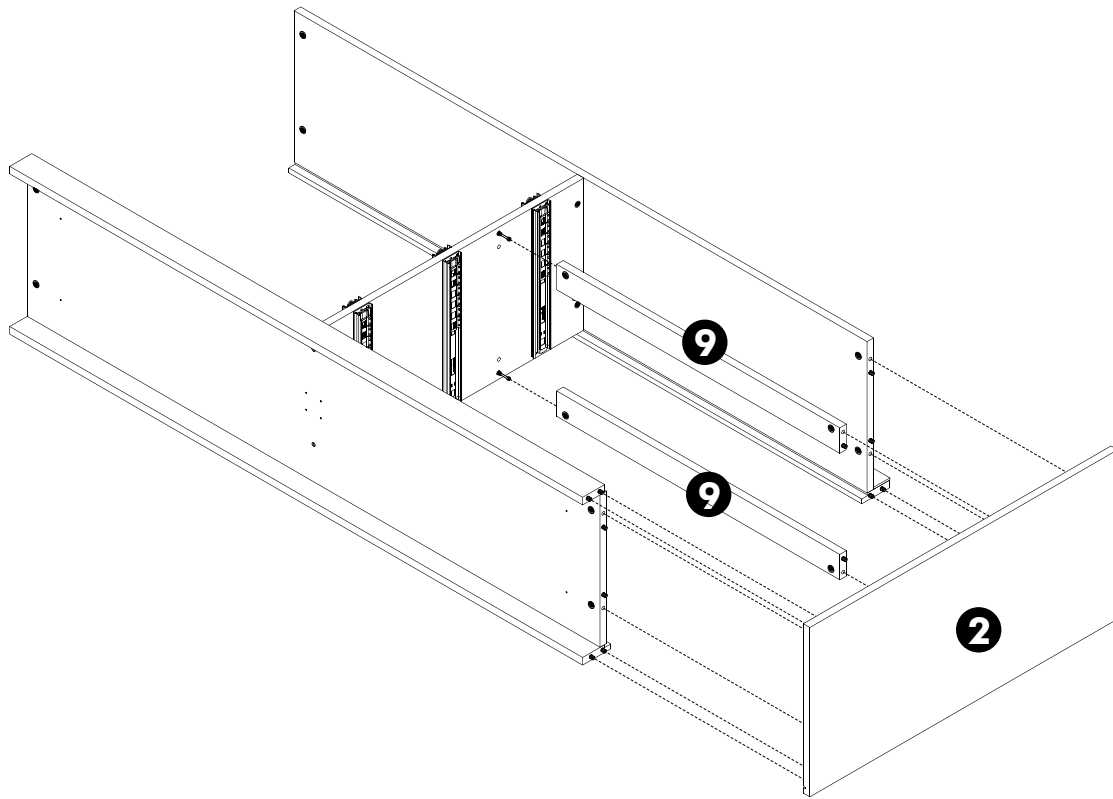
**1.**



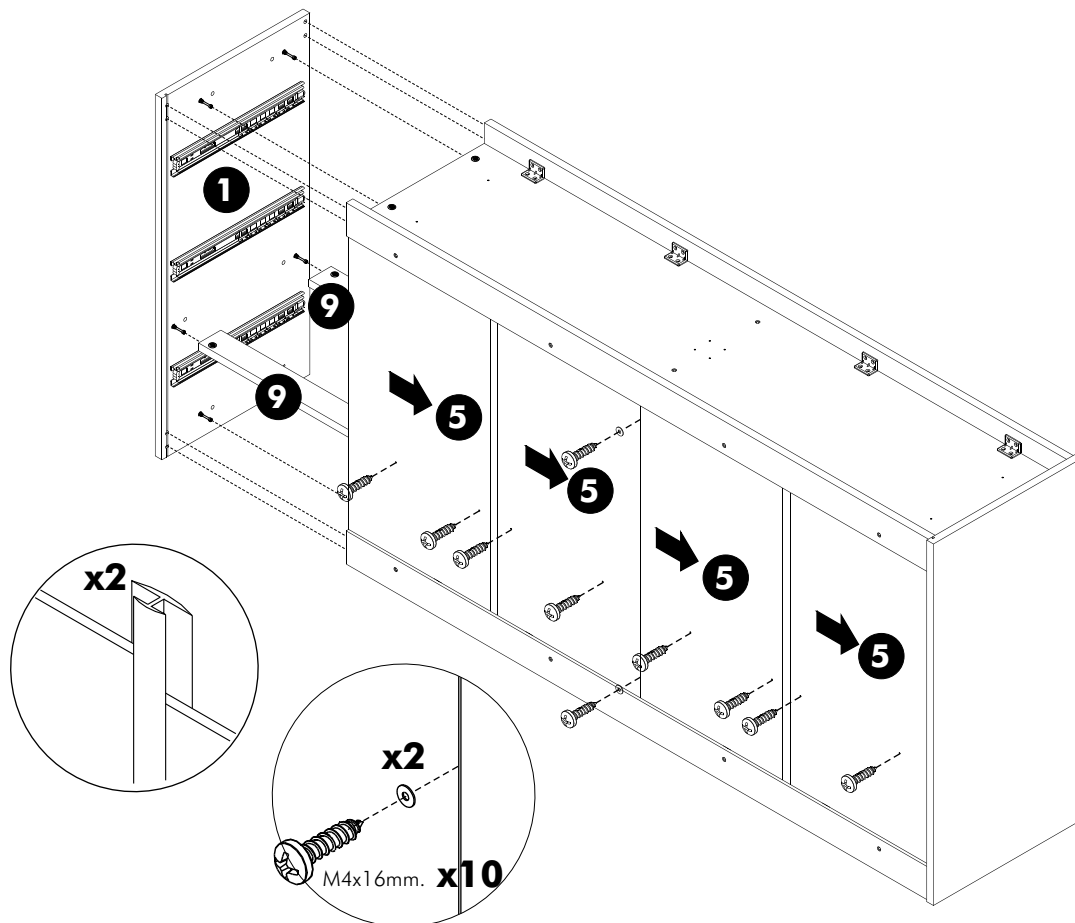
**2.**



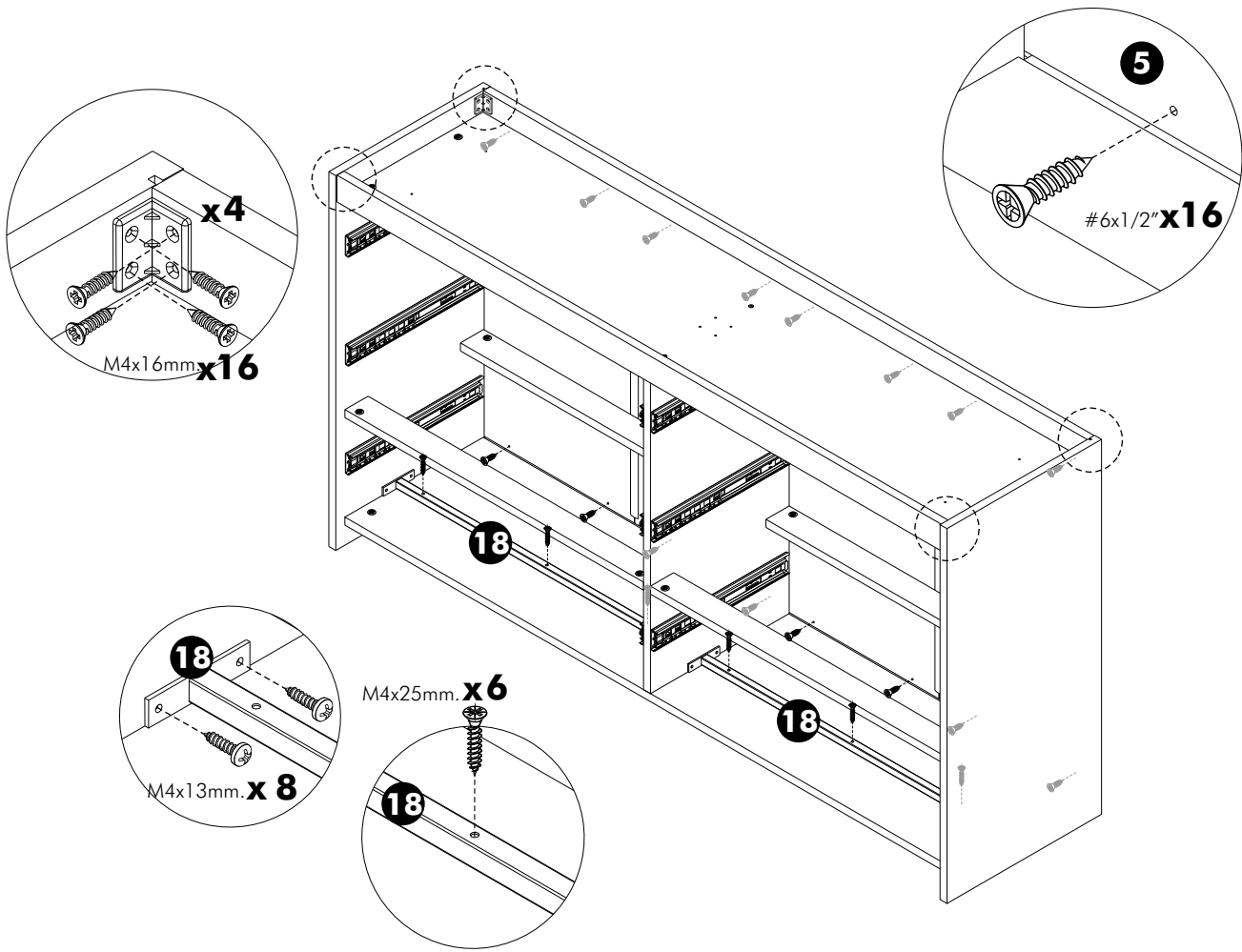
**3.**



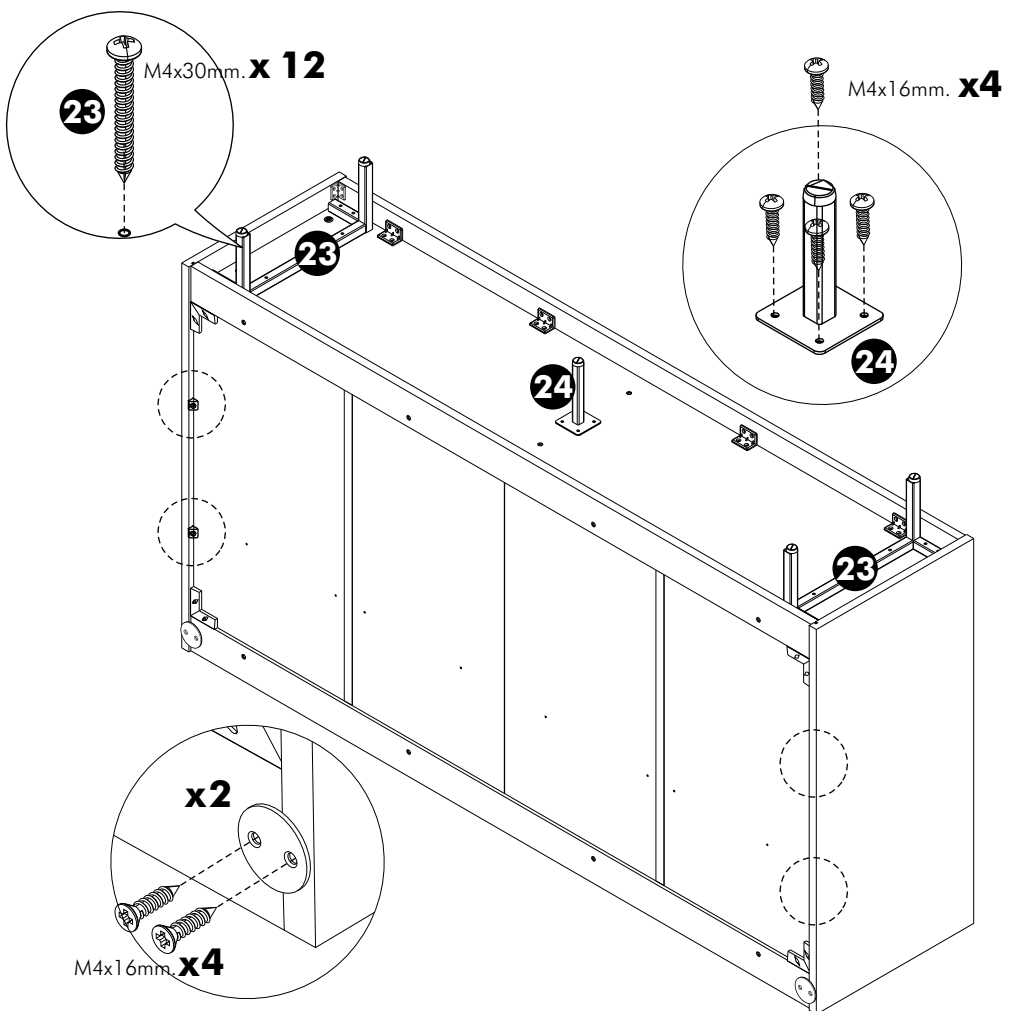
**4.**



# 5.



# 6.



# ASSEMBLY

-DRAWER SET

# 6 set.

