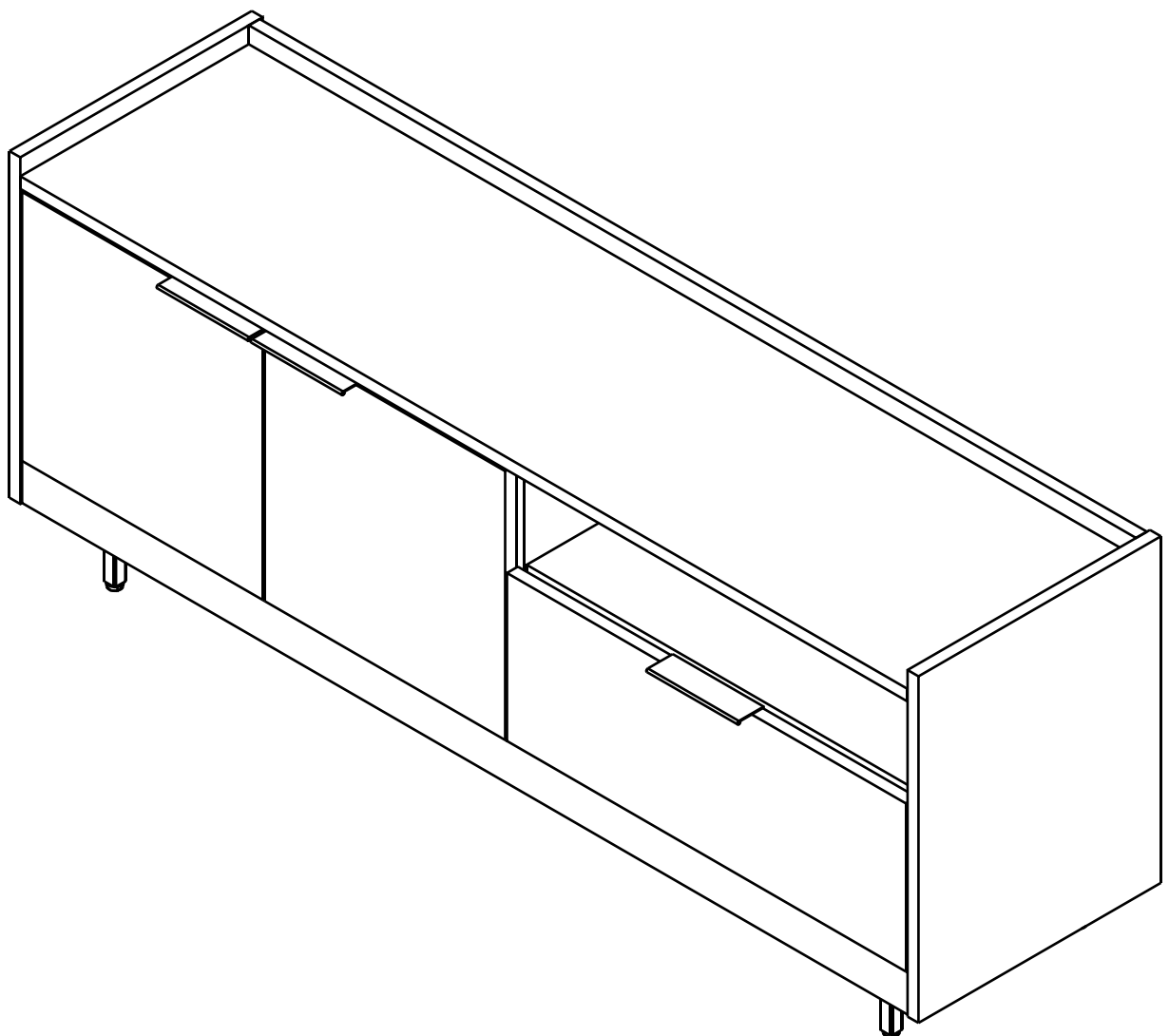
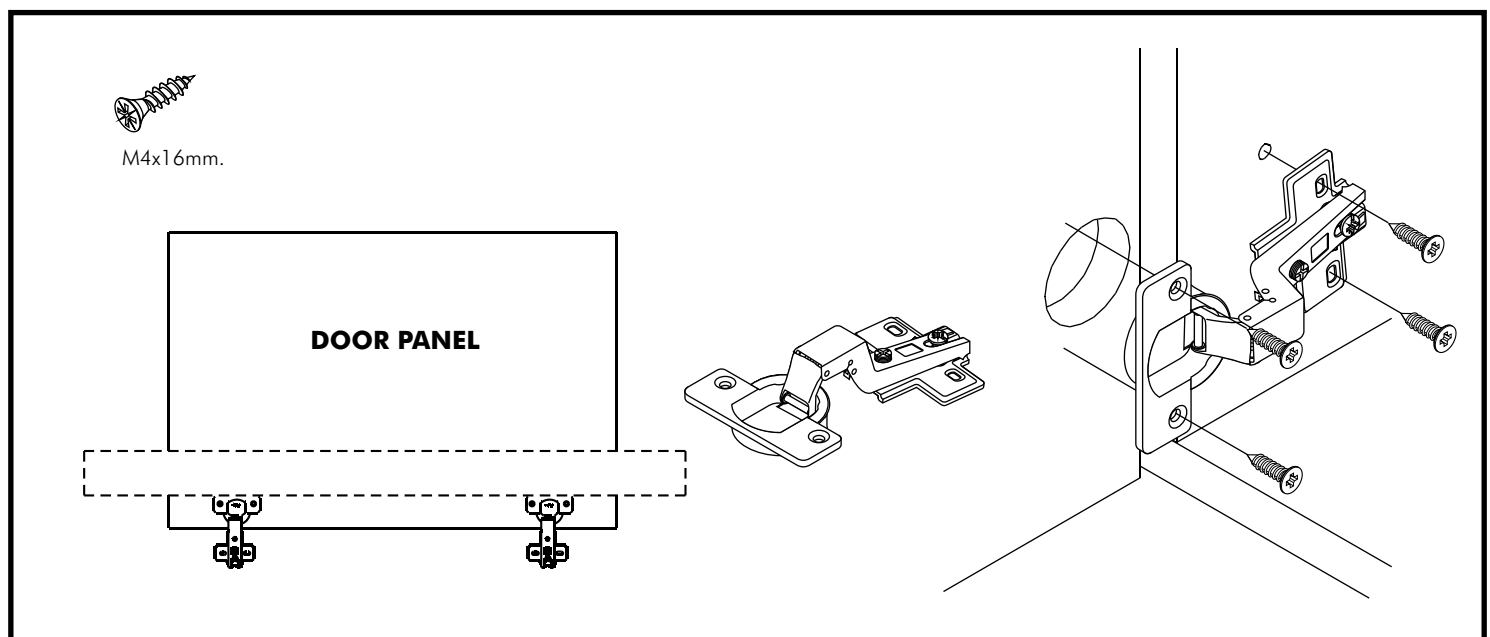
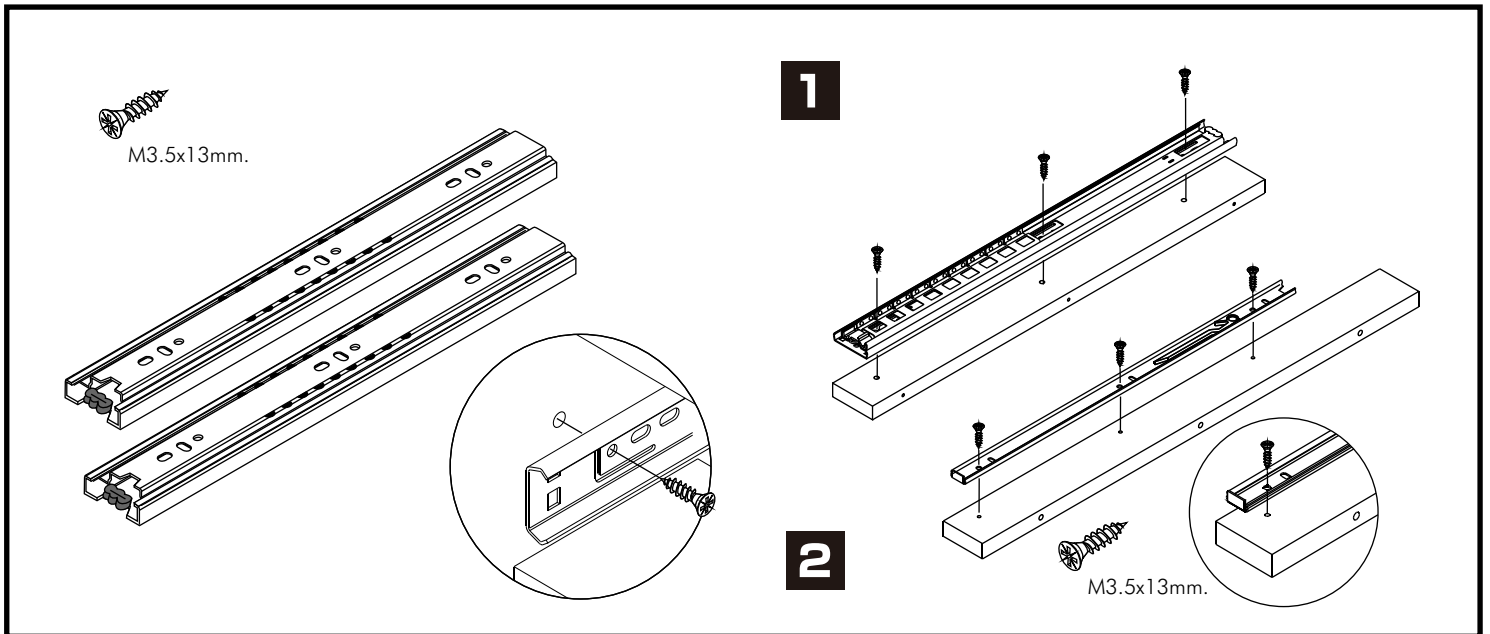


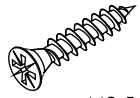
# CALACATTA

**TV Cabinet 150 cm.**

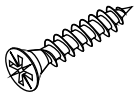
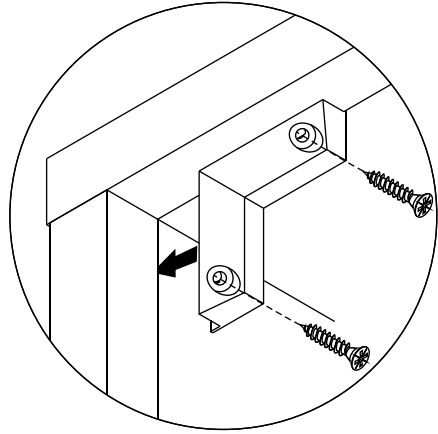
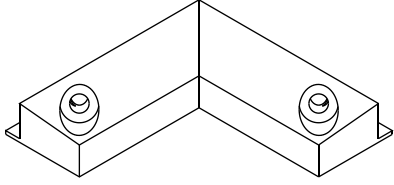


# CONNECT SYSTEM

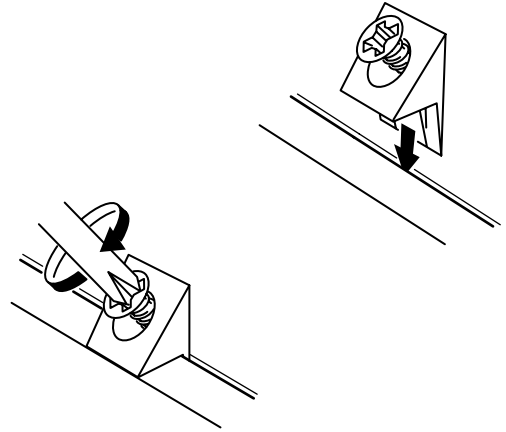
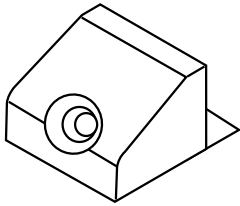


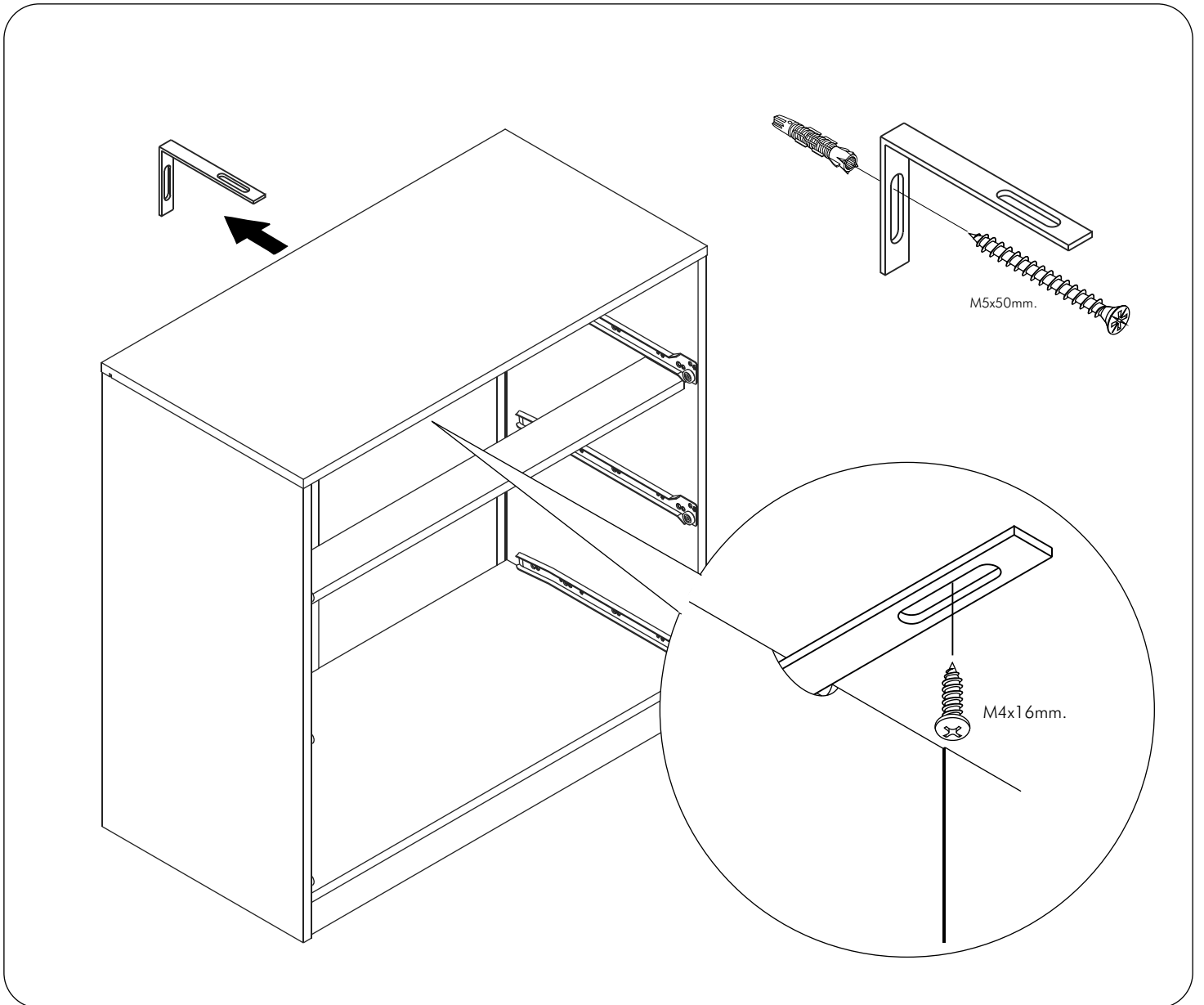
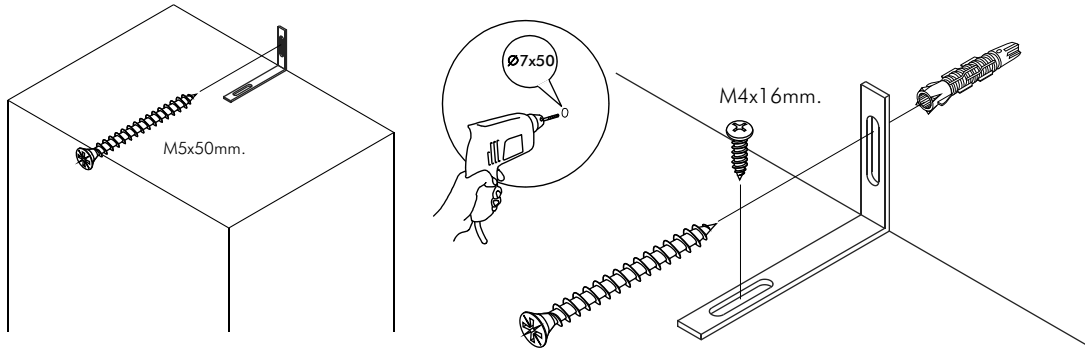
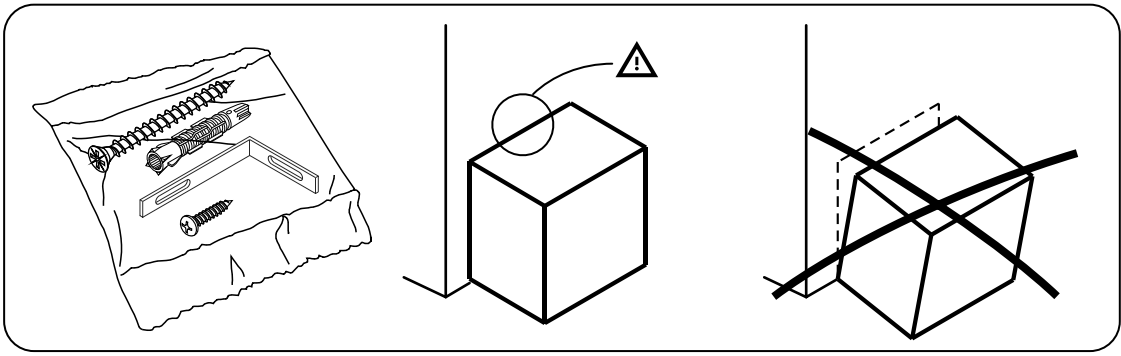


M3.5x20mm.



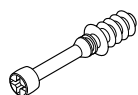
M3.5x20mm.





# HARDWARE

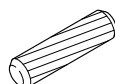
## -BODY SET



**x 14**

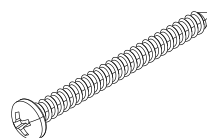


**x 14**



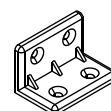
8x35mm.

**x 24**

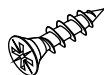


M4x50mm.

**x 3**



**x 4**

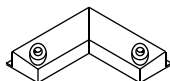


M4x16mm.

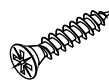
**x 16**



**x 2**



**x 2**



M3.5x20mm.

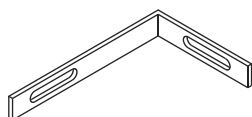
**x 8**



**x 4**



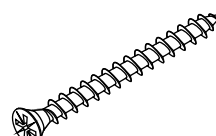
**x 4**



**x 1**



**x 2**



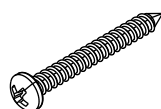
M5x50mm.

**x 1**



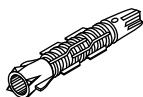
M4x16mm.

**x 13**

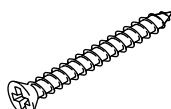


M4x30mm.

**x 12**

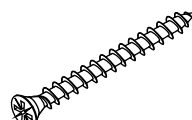


**x 1**



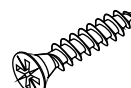
M4x40mm.

**x 4**



M4x50mm.

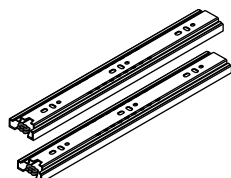
**x 2**



M4x25mm.

**x 3**

## -DRAWER SET

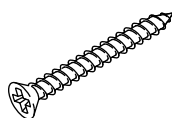


**x 1**



M3.5x13mm.

**x 12**



M4x40mm.

**x 10**

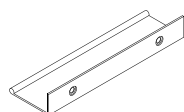


M6x23mm.

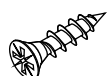
**x 5**



**x 1**



**x 1**



M4x16mm.

**x 2**



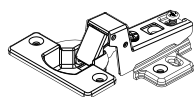
**x 2**

## -DOOR SET



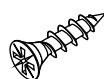
(INSERT MOUNTING)

**x 2**



(HALF OVERLAY)

**x 2**



M4x16mm.

**x 28**



**x 2**

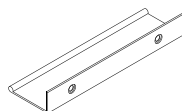


**x 2**

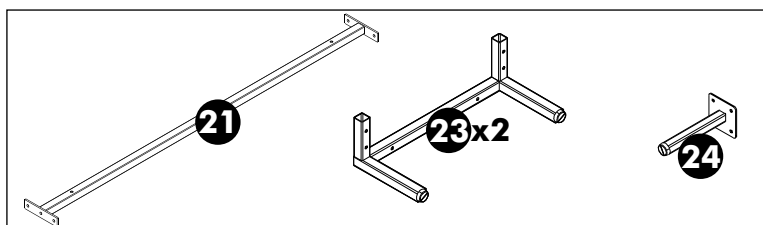


M3.5x13mm.

**x 2**



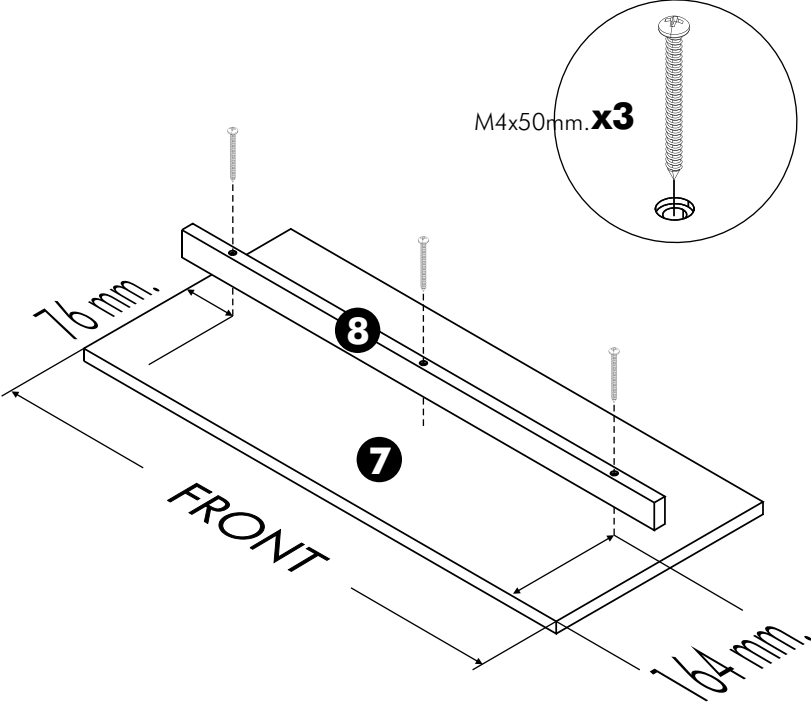
**x 2**



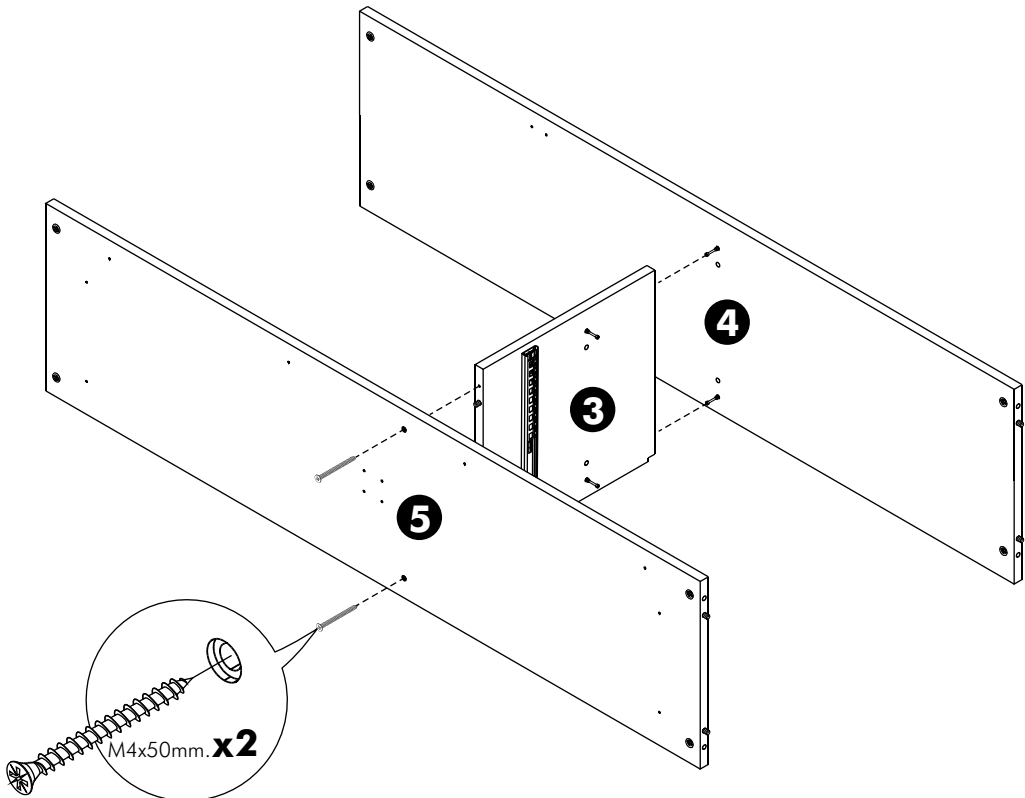
**ASSEMBLY**

-BODY SET

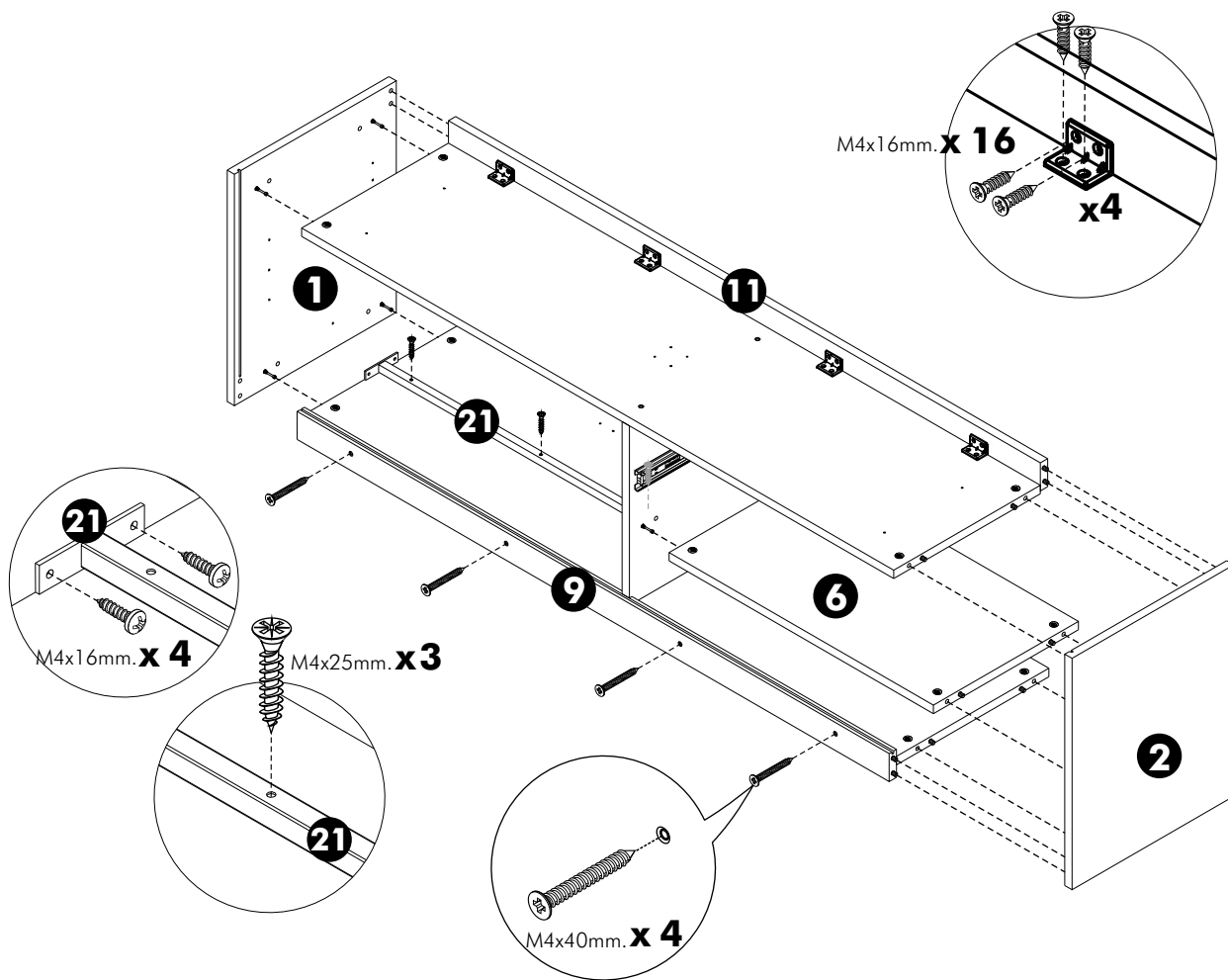
**1.**



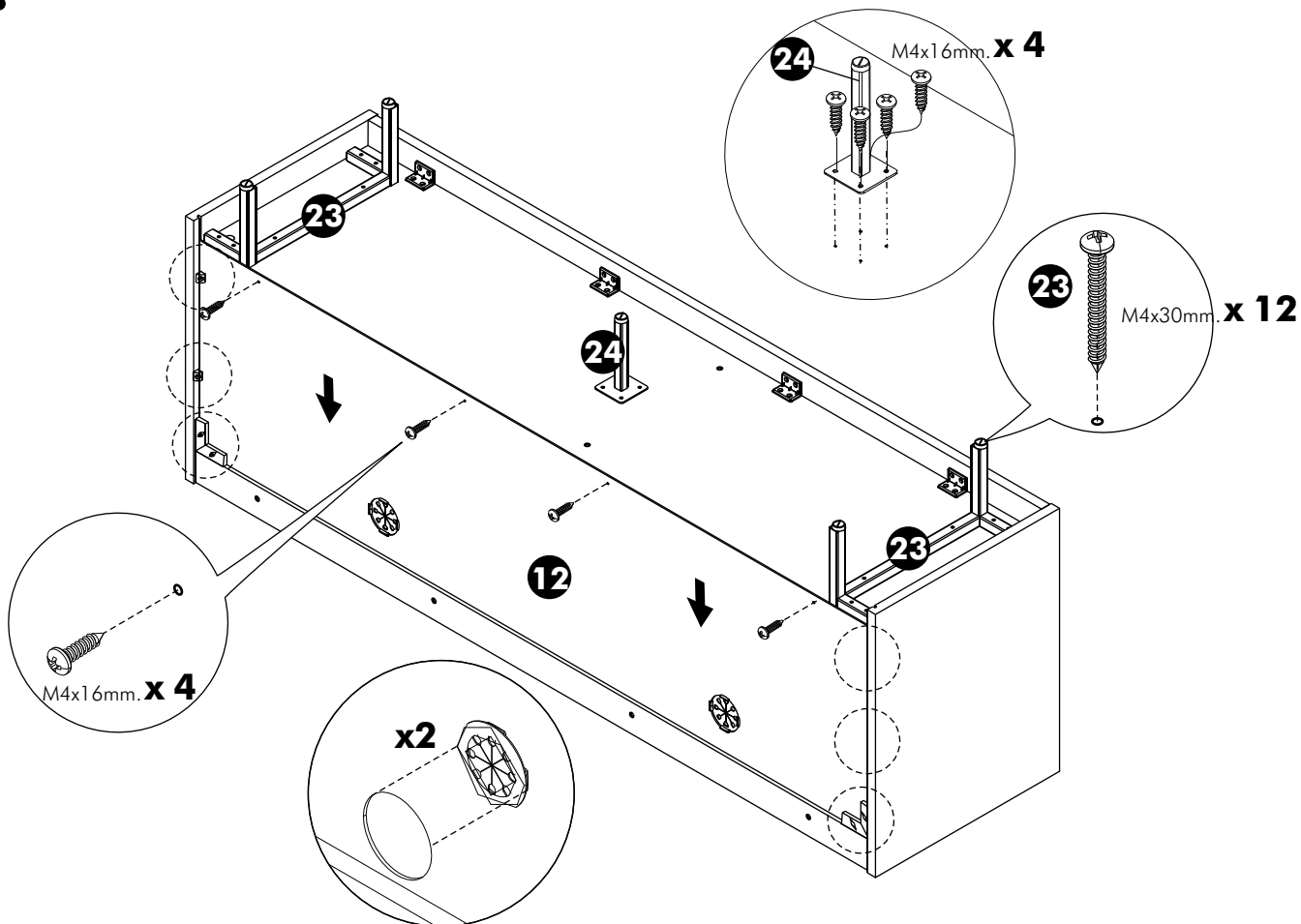
**2.**



**3.**

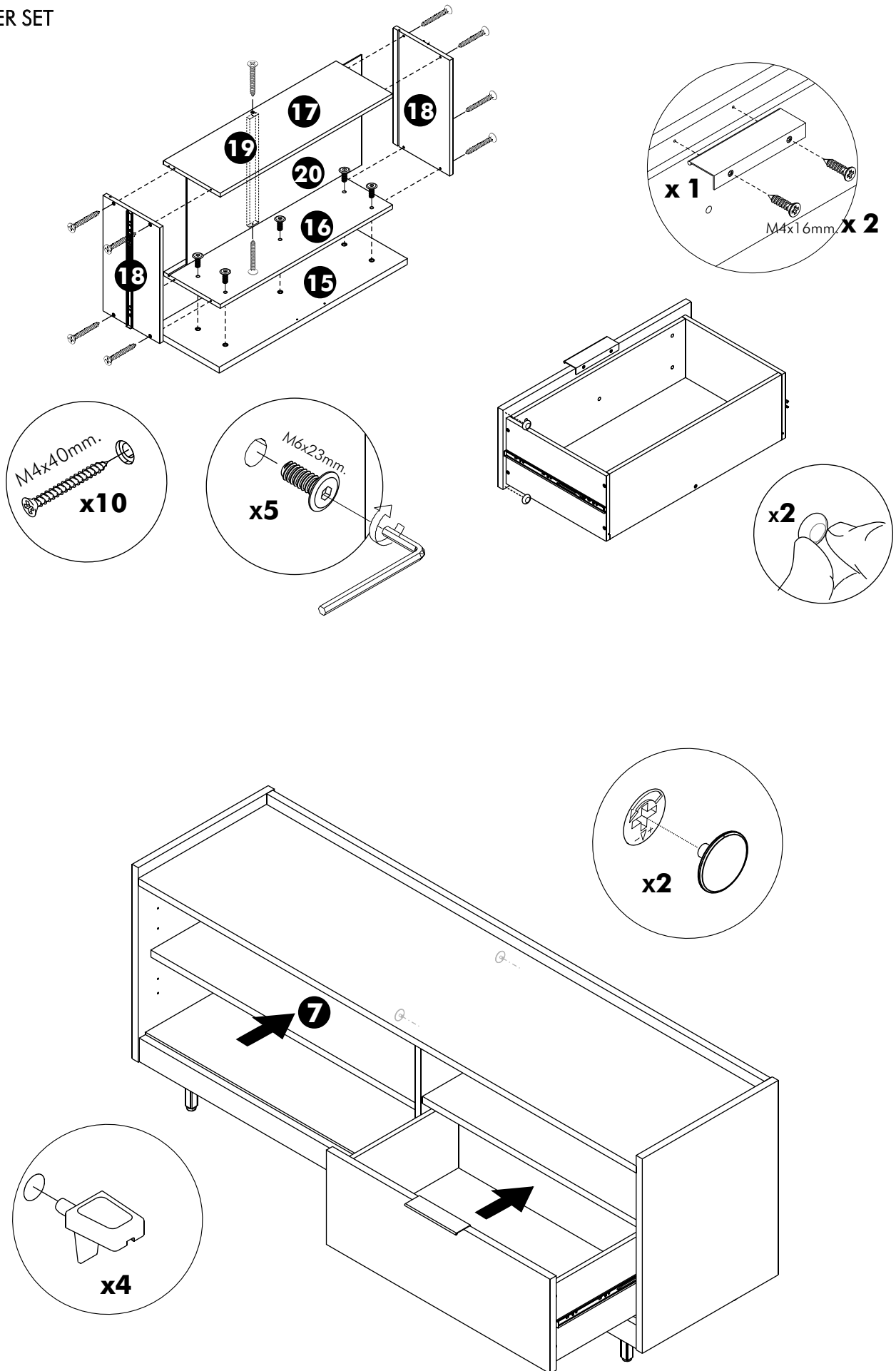


**4.**



# ASSEMBLY

## -DRAWER SET



# ASSEMBLY

-DOOR SET

