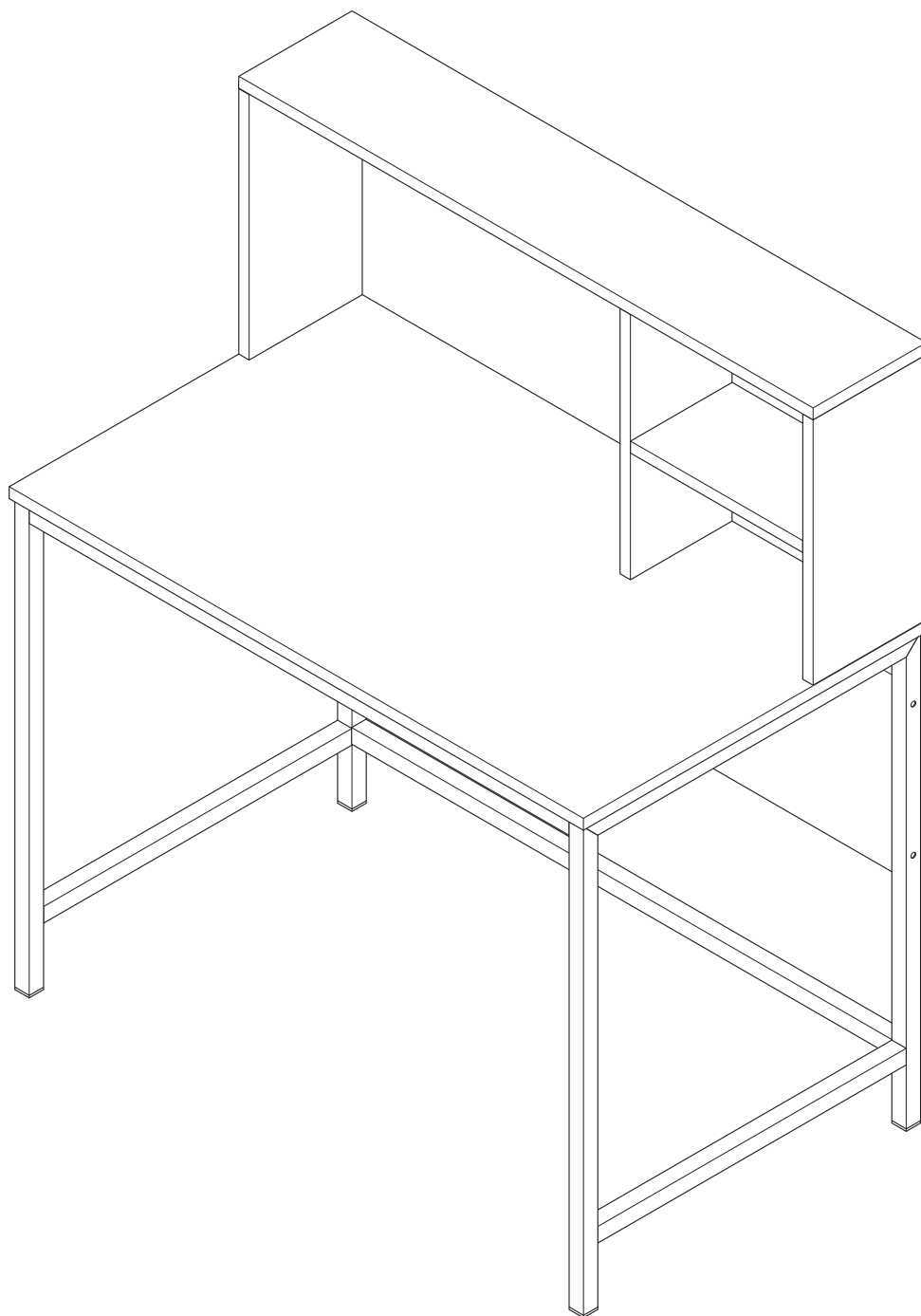
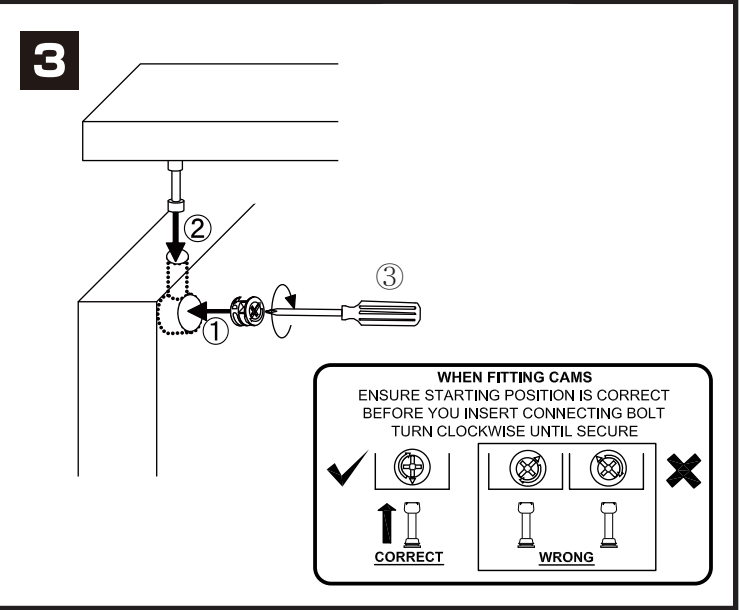
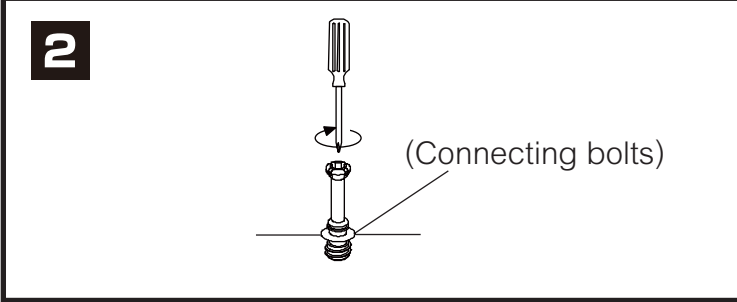
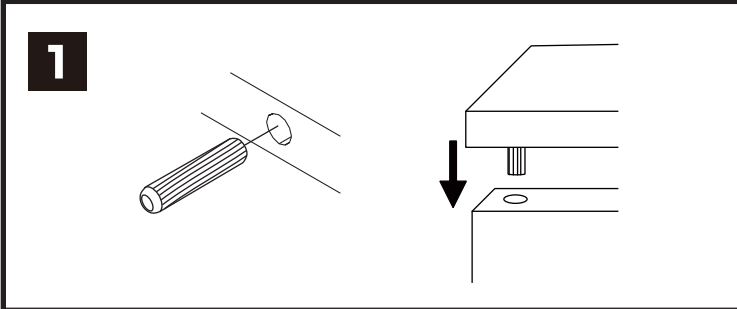


# CLEV

**Working table 100 cm.**

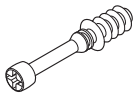


# CONNECT SYSTEM



# HARDWARE

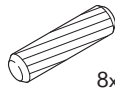
## -BODY SET



**x 5**

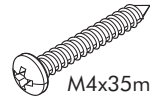


**x 5**



8x35

**x 20**



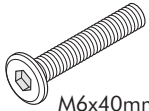
M4x35mm.

**x 10**



M4x50mm.

**x 3**



M6x40mm.

**x 4**



M6x15mm.

**x 12**



**x 1**



**x 5**



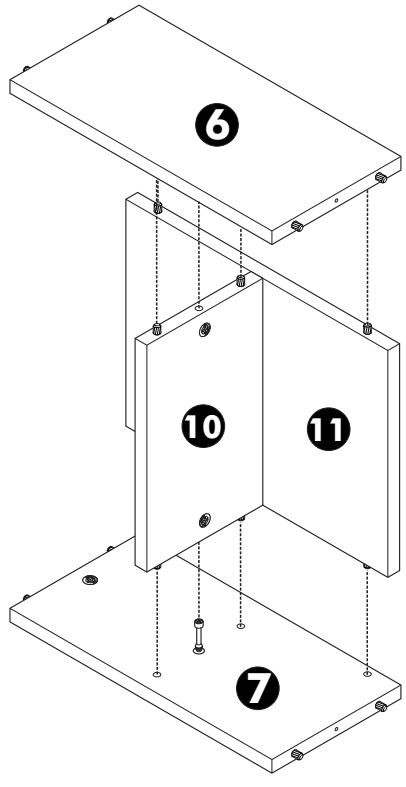
M6

**x 16**

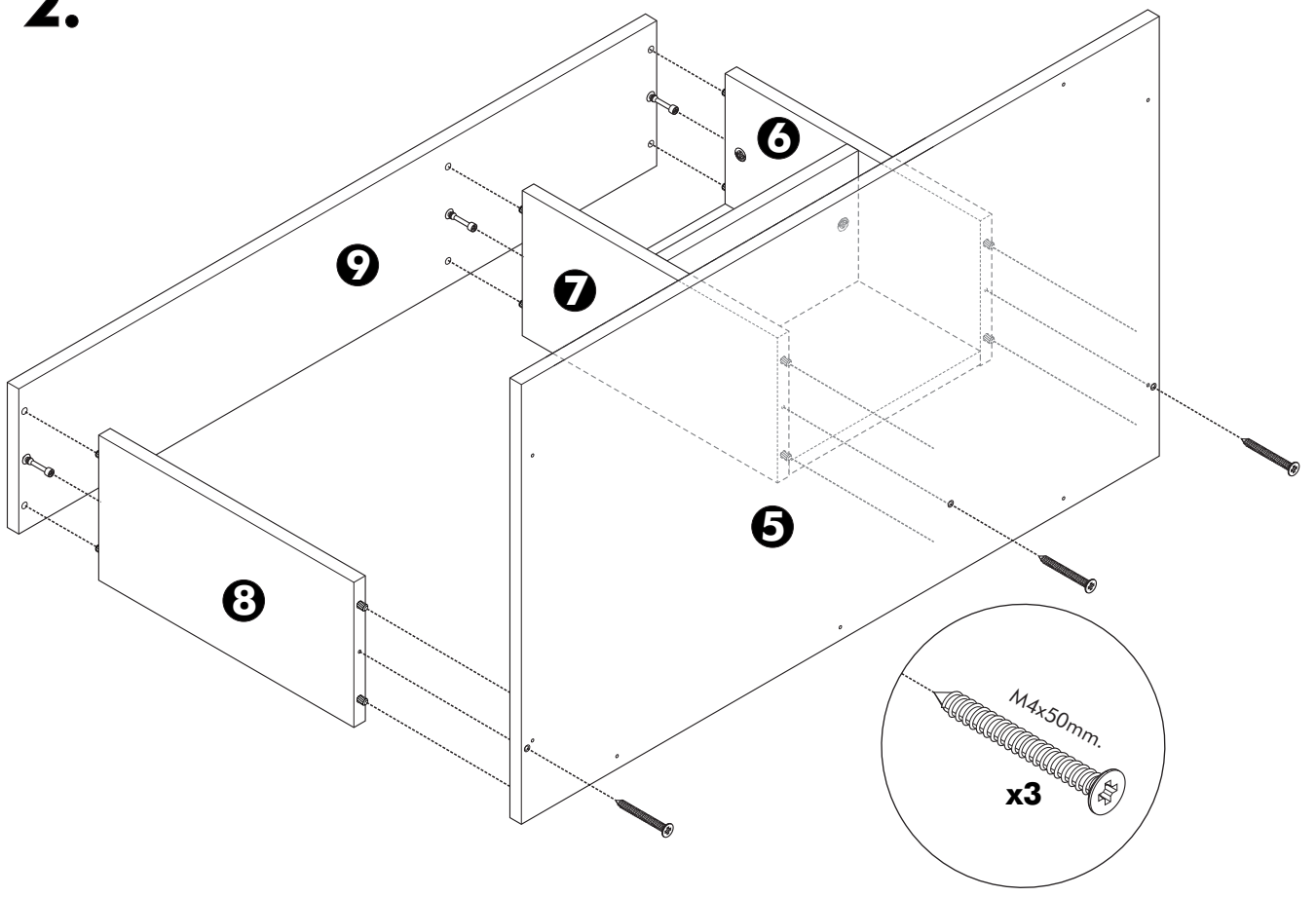
# ASSEMBLY

-BODY SET

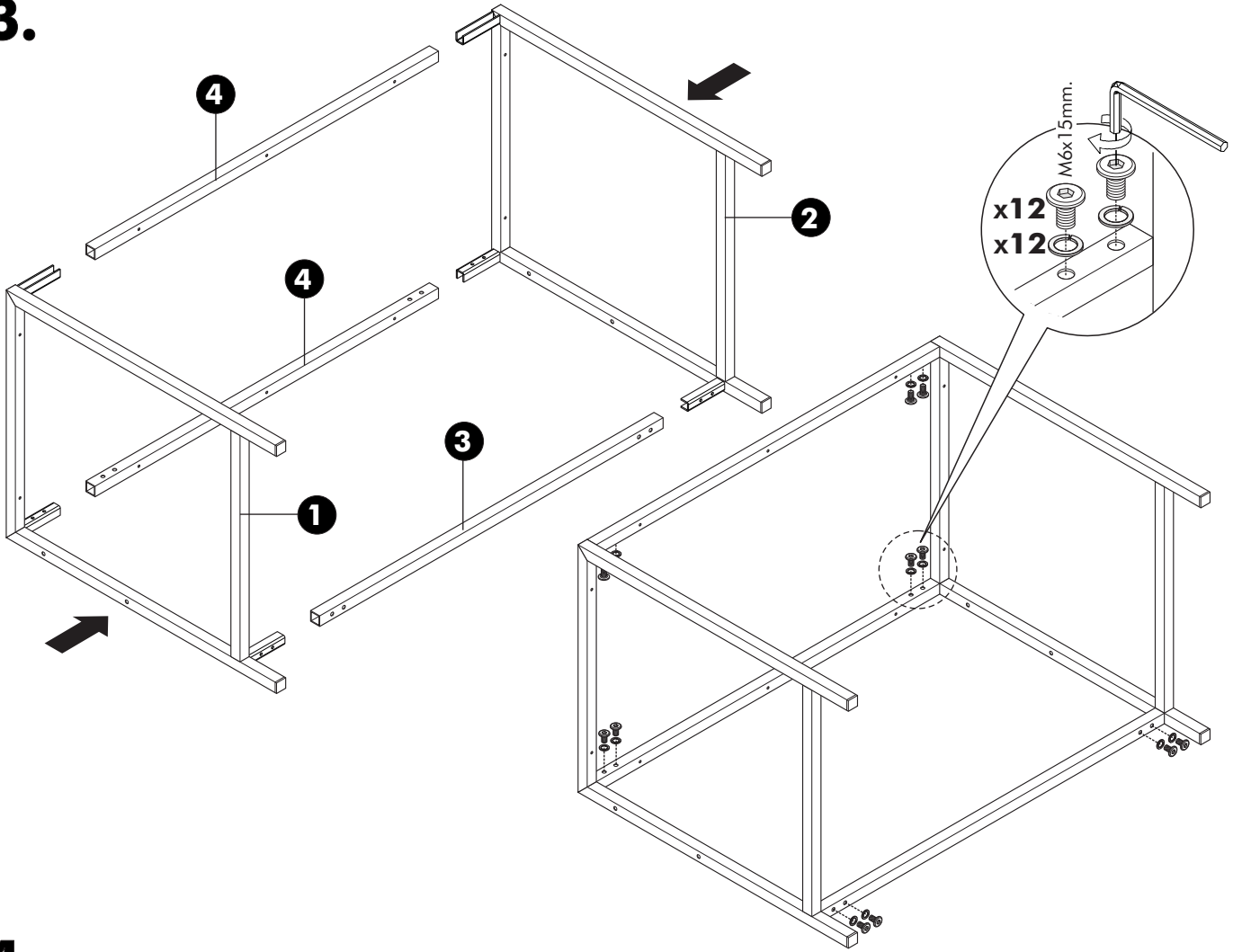
1.



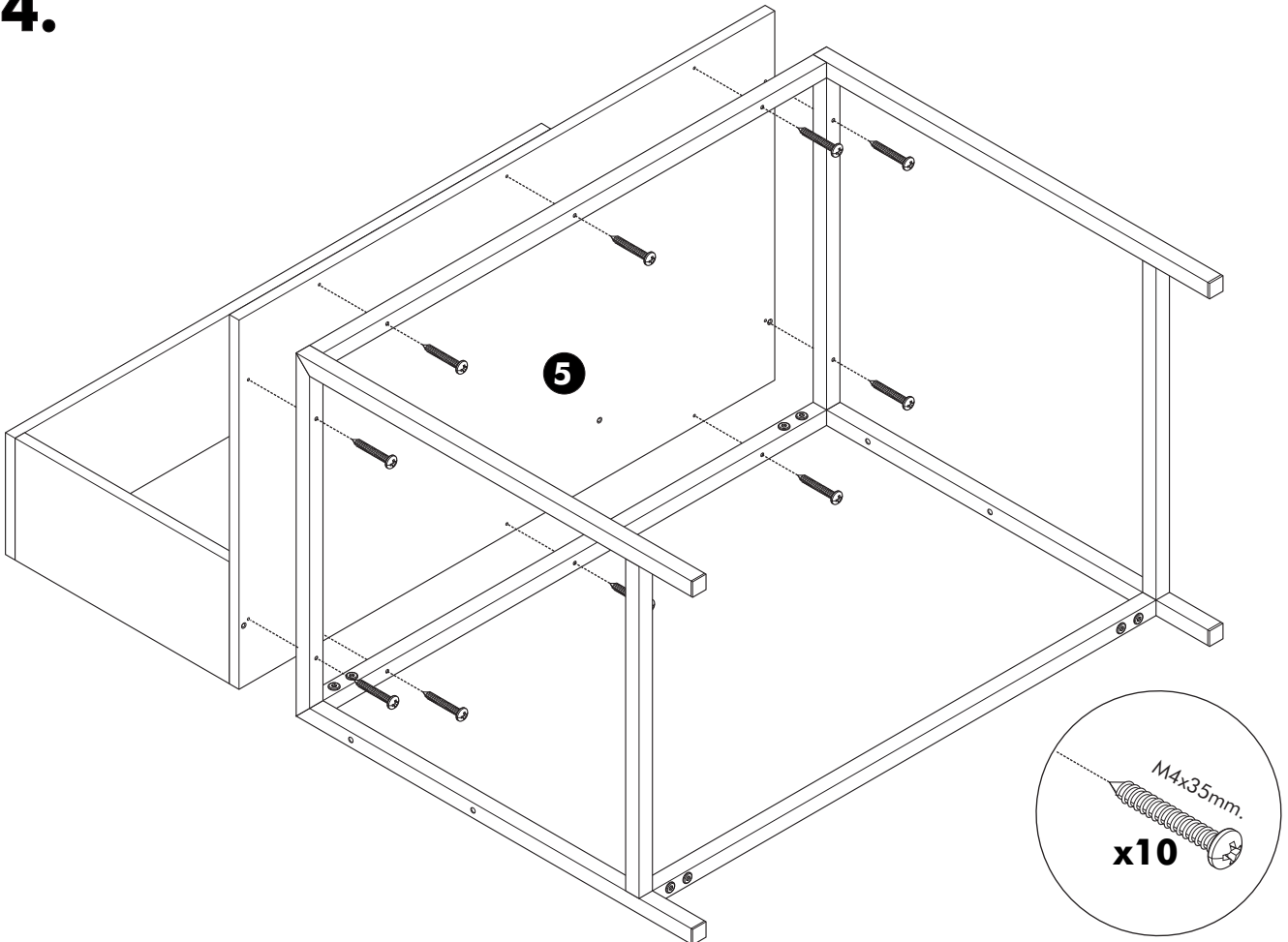
2.



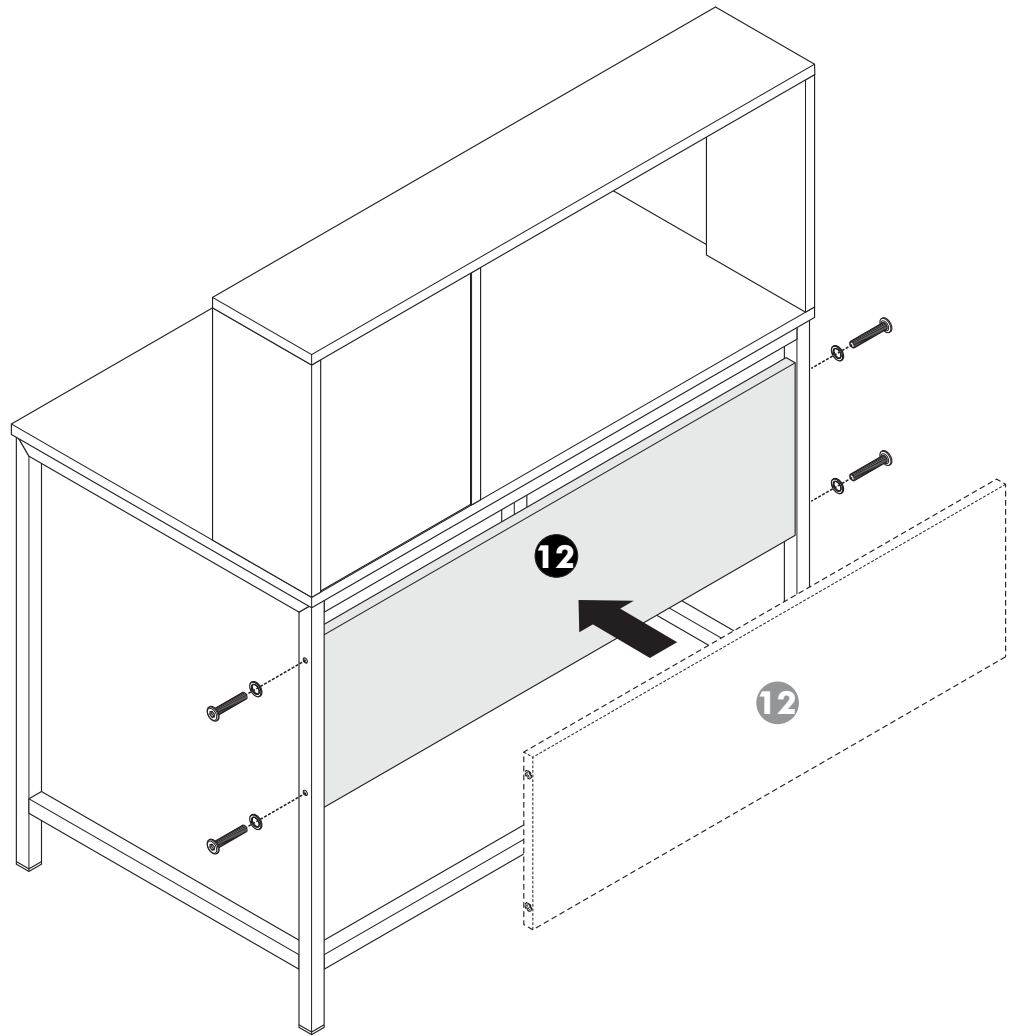
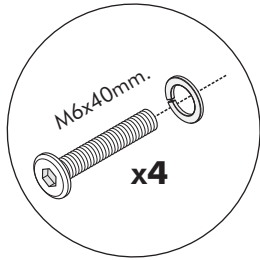
**3.**



**4.**



**5.**



**6.**

