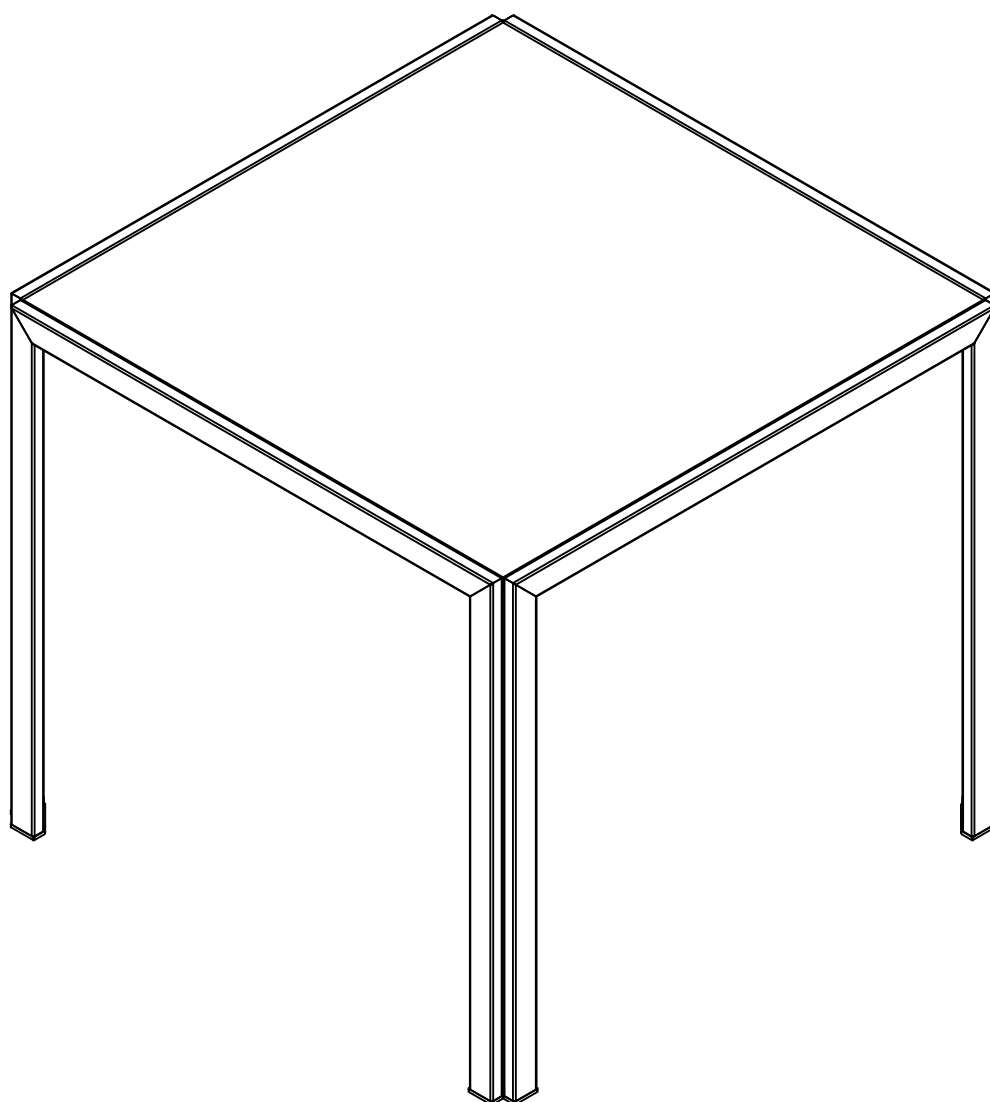


# ASTRO/P

Dining table 84 cm.



# HARDWARE

## -BODY SET



M6x15mm.

**x 18**

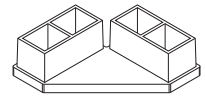


M6

**x 18**



**x 1**

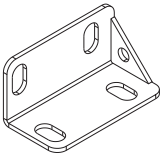


**x 4**



**x 4**

## -PART SET

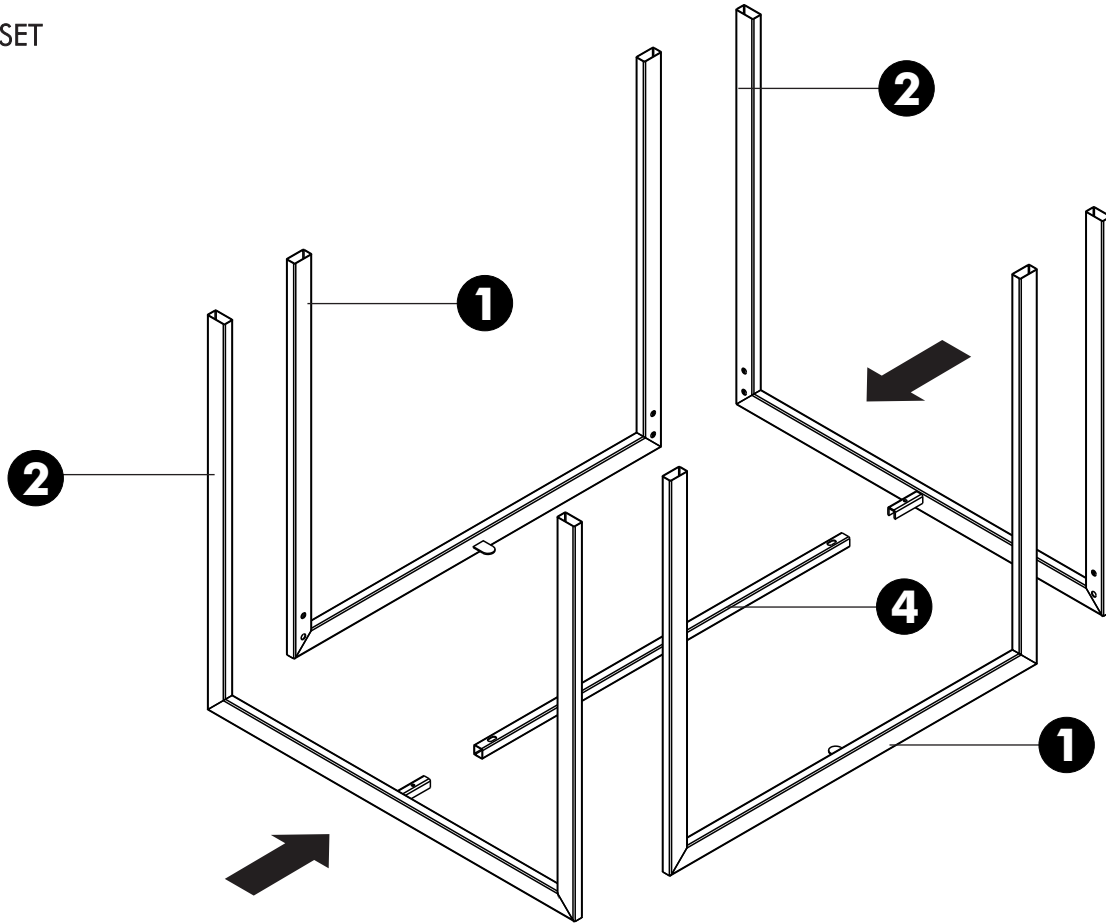


**3** x 4

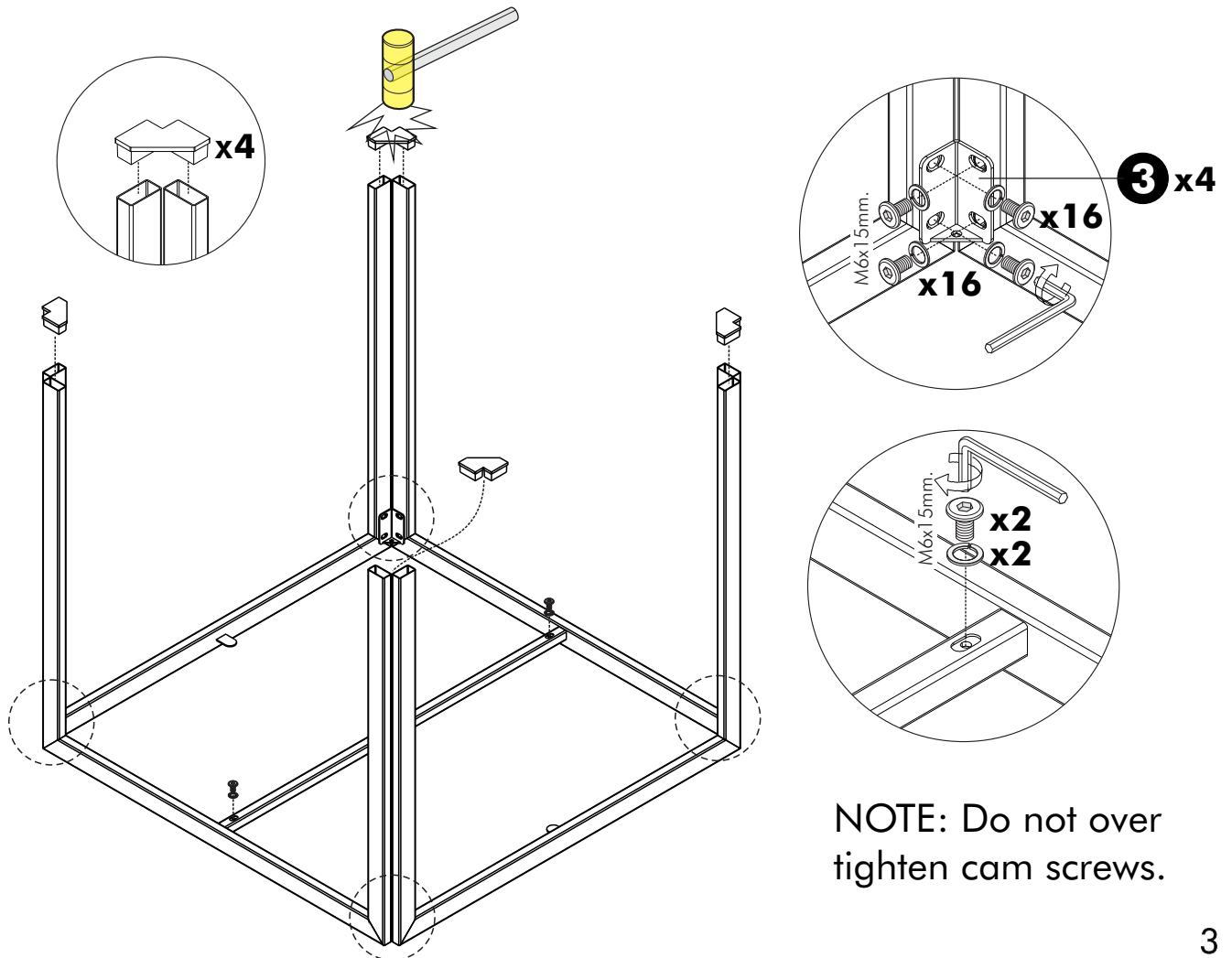
# ASSEMBLY

-BODY SET

## 1.

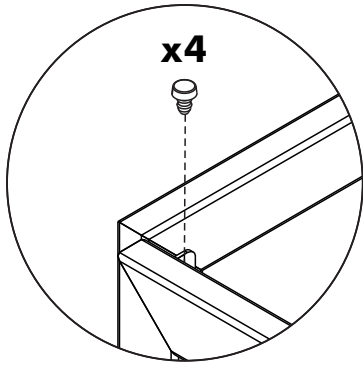


## 2.



NOTE: Do not over tighten cam screws.

**3.**



NOTE: retighten  
screw

