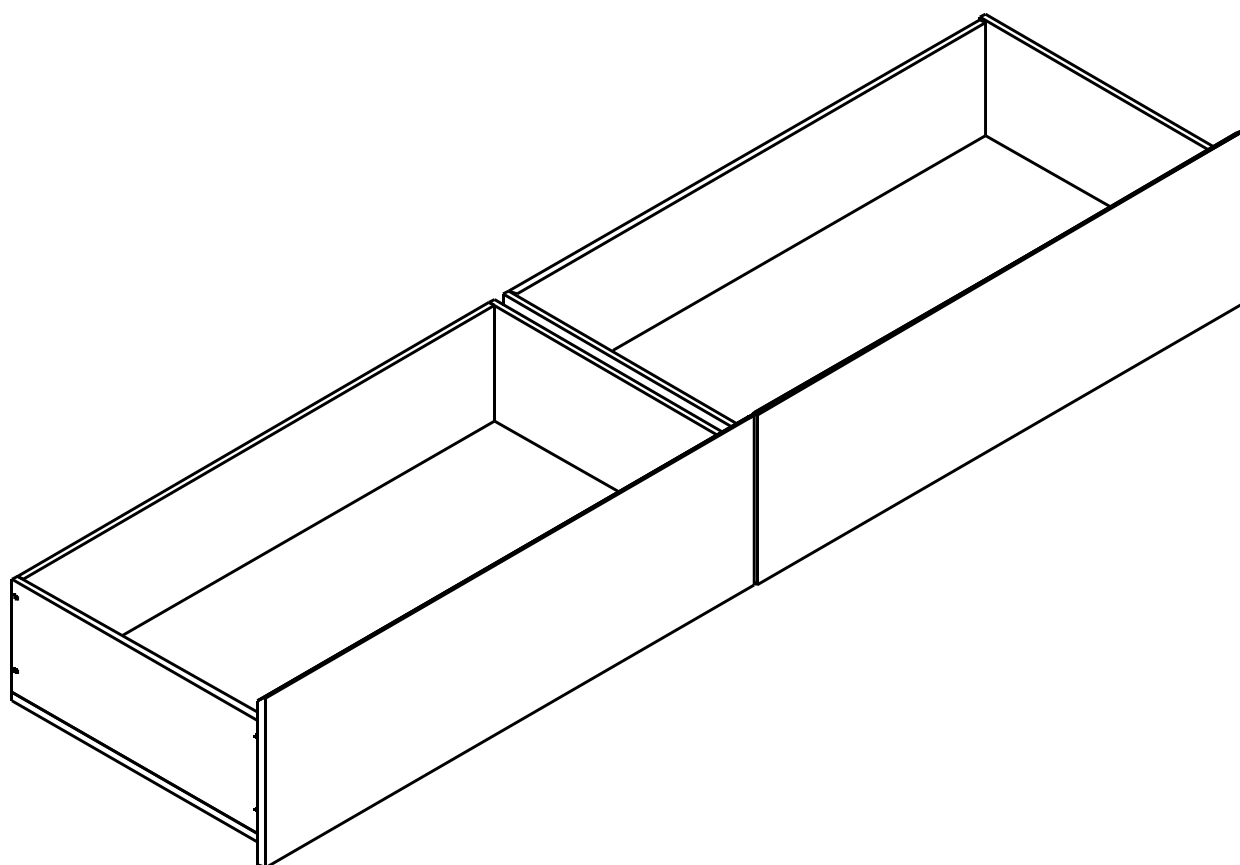
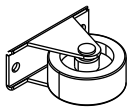


BED DRAWERS

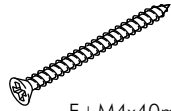
BED DRAWERS For BB BOX bed



HARDWARE



x 10



F+M4x40mm.

x 36



M6x23

x 12

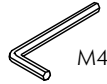


M3.5x13mm.

x 20



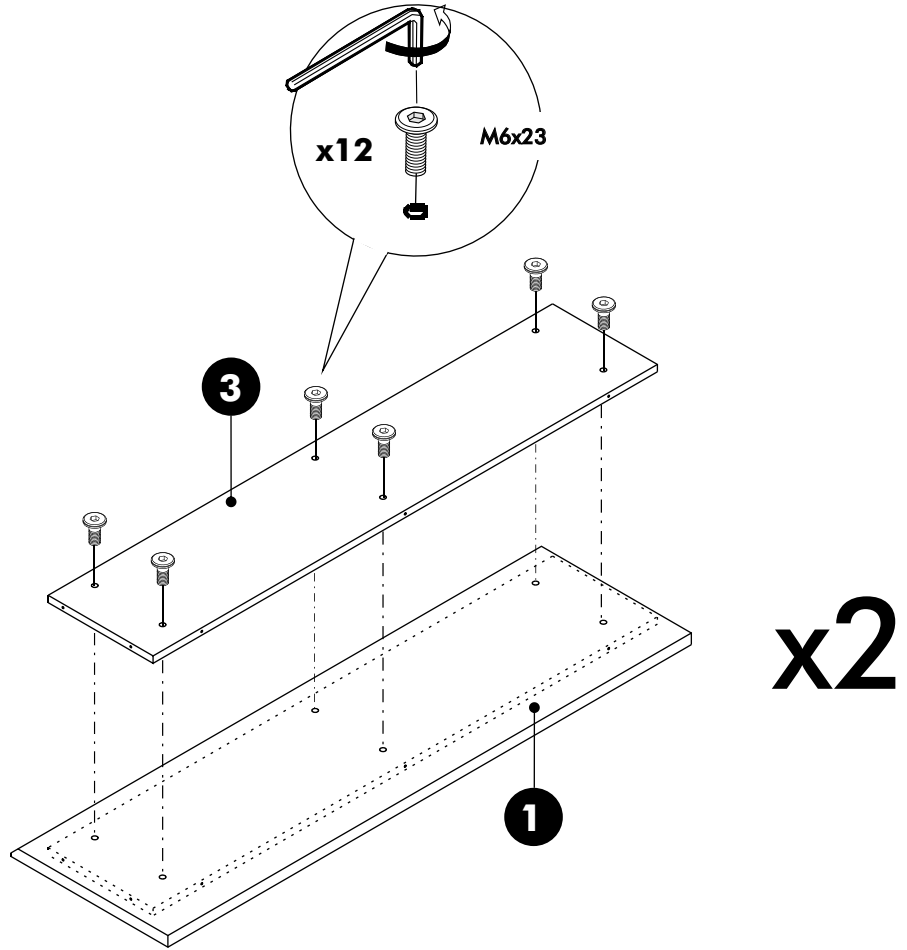
x 4



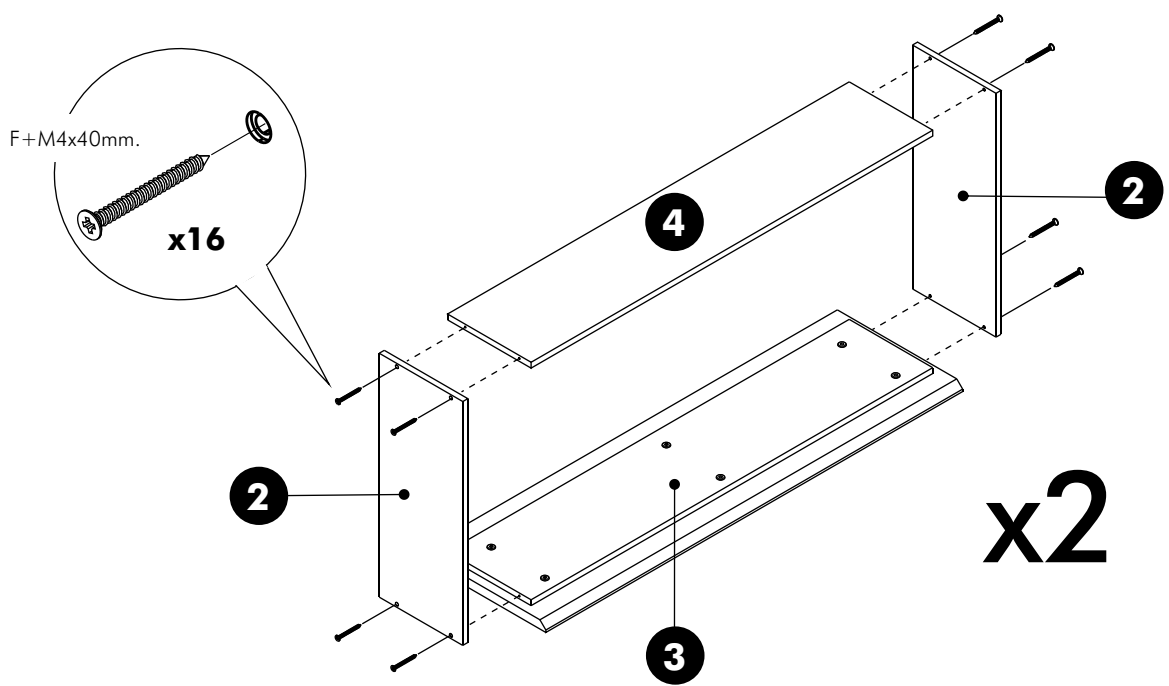
M4

x 1

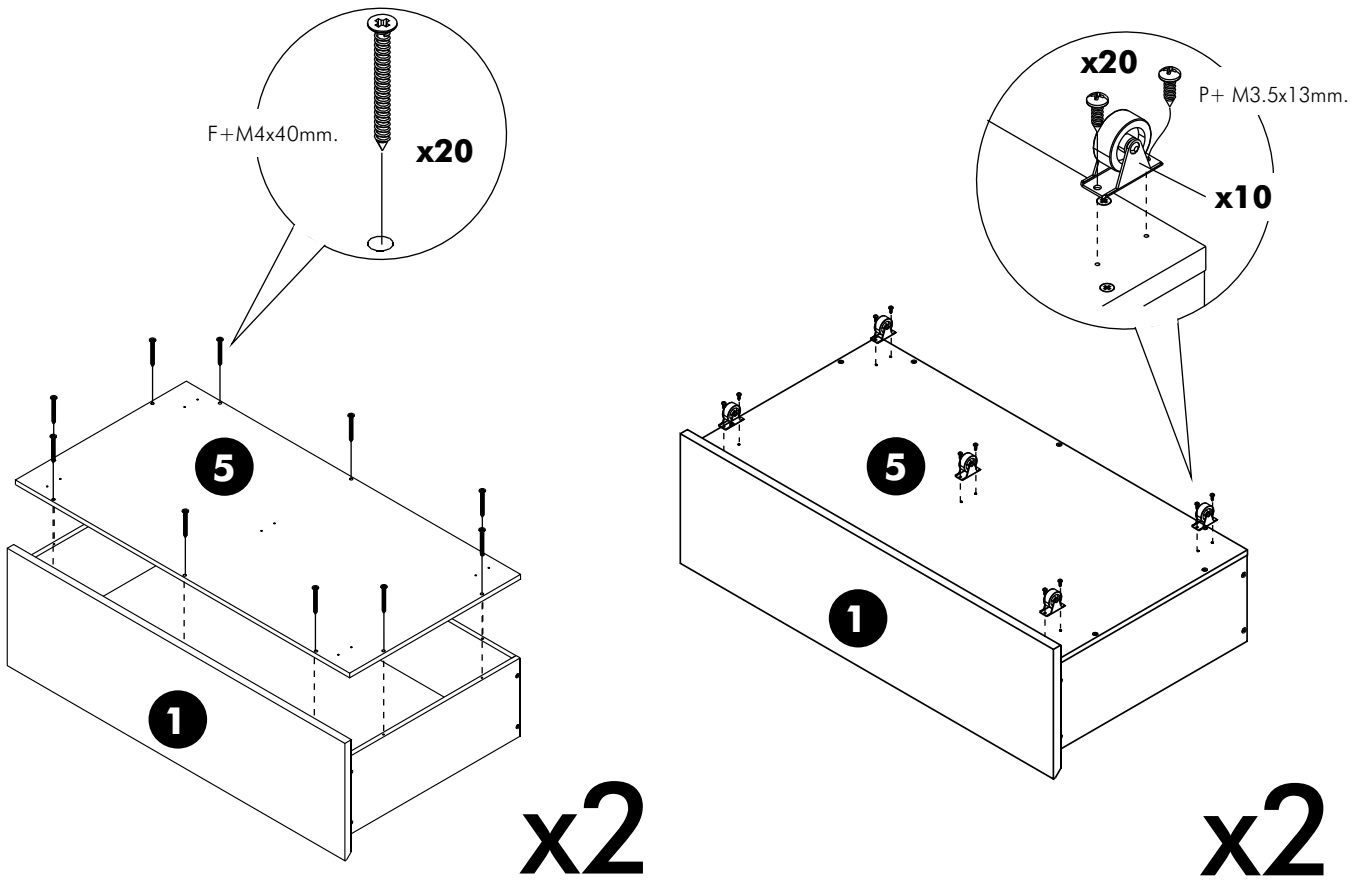
1.



2.



3.



4.

