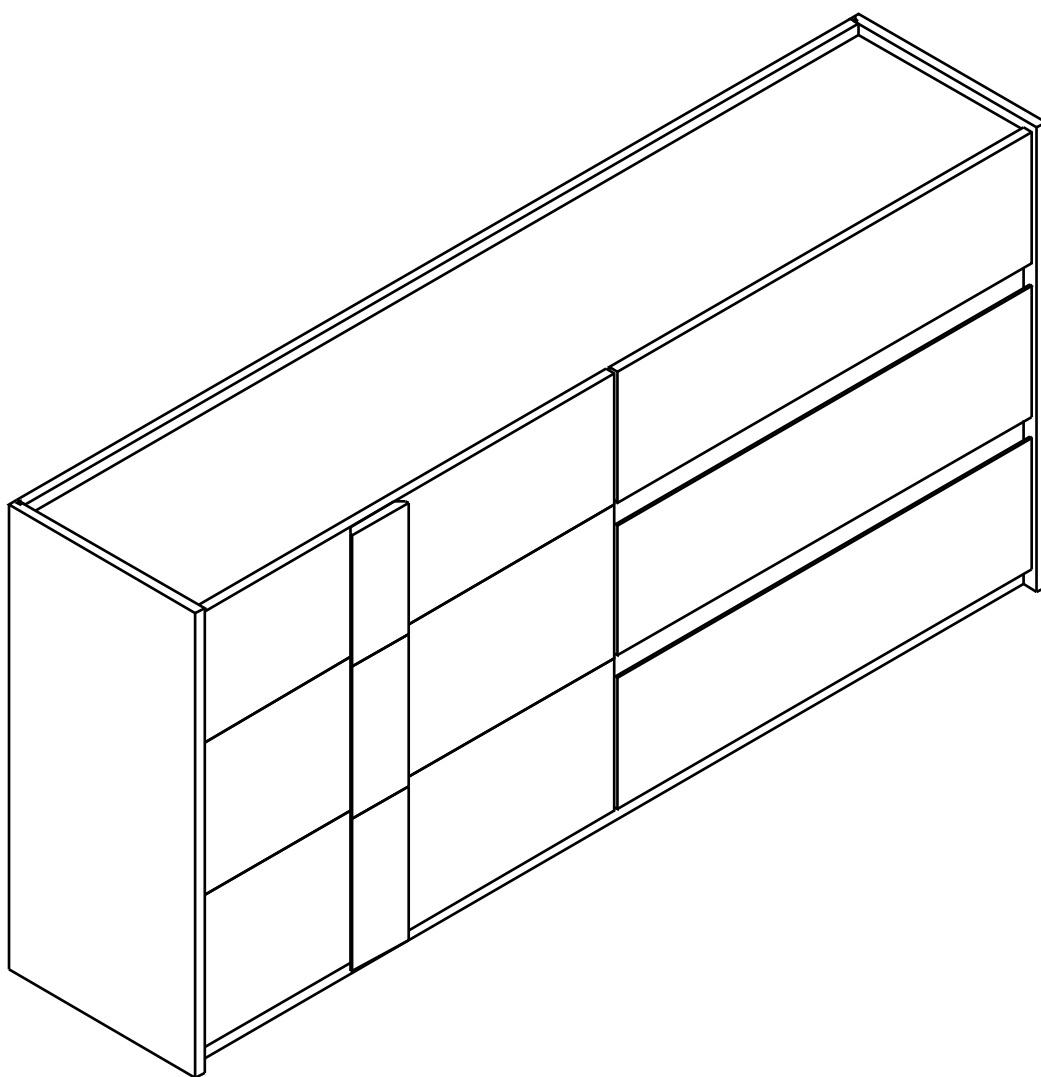


# CRARARA

6 Drawer 180 Cm.



# CONNECT SYSTEM

**1**

**3**

**2**

(Connecting bolts)

**WHEN FITTING CAMS**  
 ENSURE STARTING POSITION IS CORRECT  
 BEFORE YOU INSERT CONNECTING BOLT  
 TURN CLOCKWISE UNTIL SECURE

✓				✗
	<b>CORRECT</b>	<b>WRONG</b>		

M4x16mm.

M3.5x13mm.

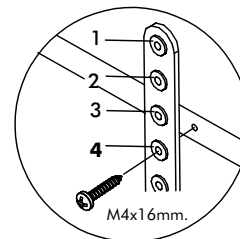
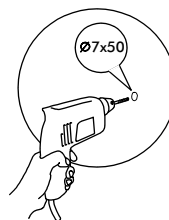
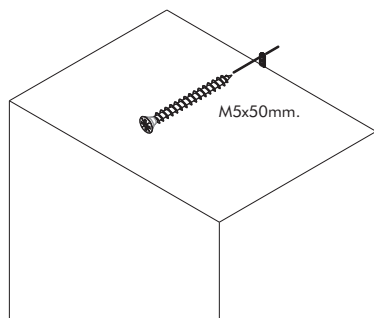
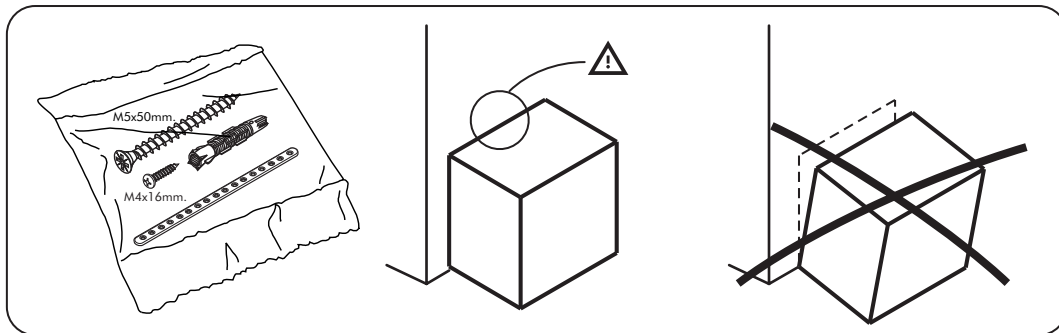
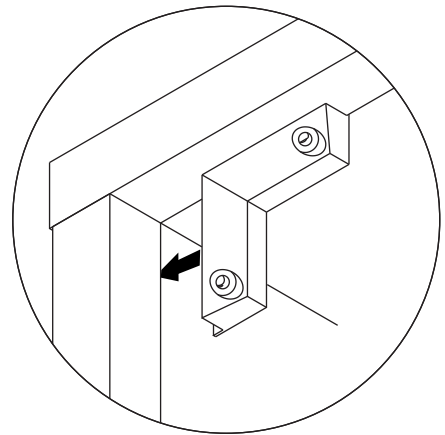
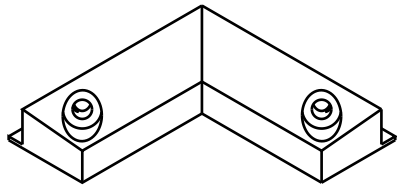
**1**

**2**

# CONNECT SYSTEM

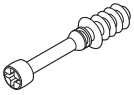


M4x20mm.



# HARDWARE

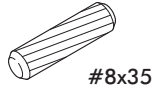
## -BODY SET



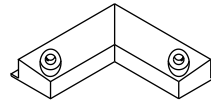
**x 6**



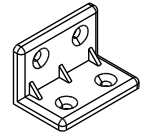
**x 6**



**x 52**



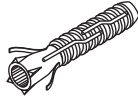
**x 4**



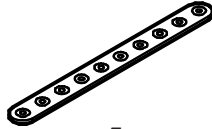
**x 26**



**x 8**



**x 1**



**x 1**



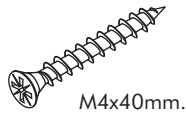
**x 112**



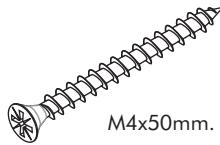
**x 16**



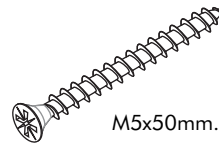
**x 6**



**x 6**



**x 2**

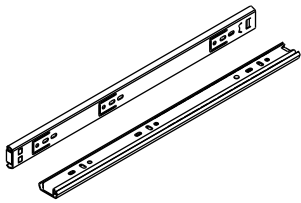


**x 1**

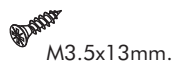


**x 19**

## -DRAWER SET



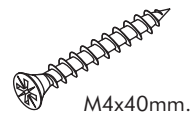
**x 6**



**x 72**



**x 6**



**x 72**



**x 36**

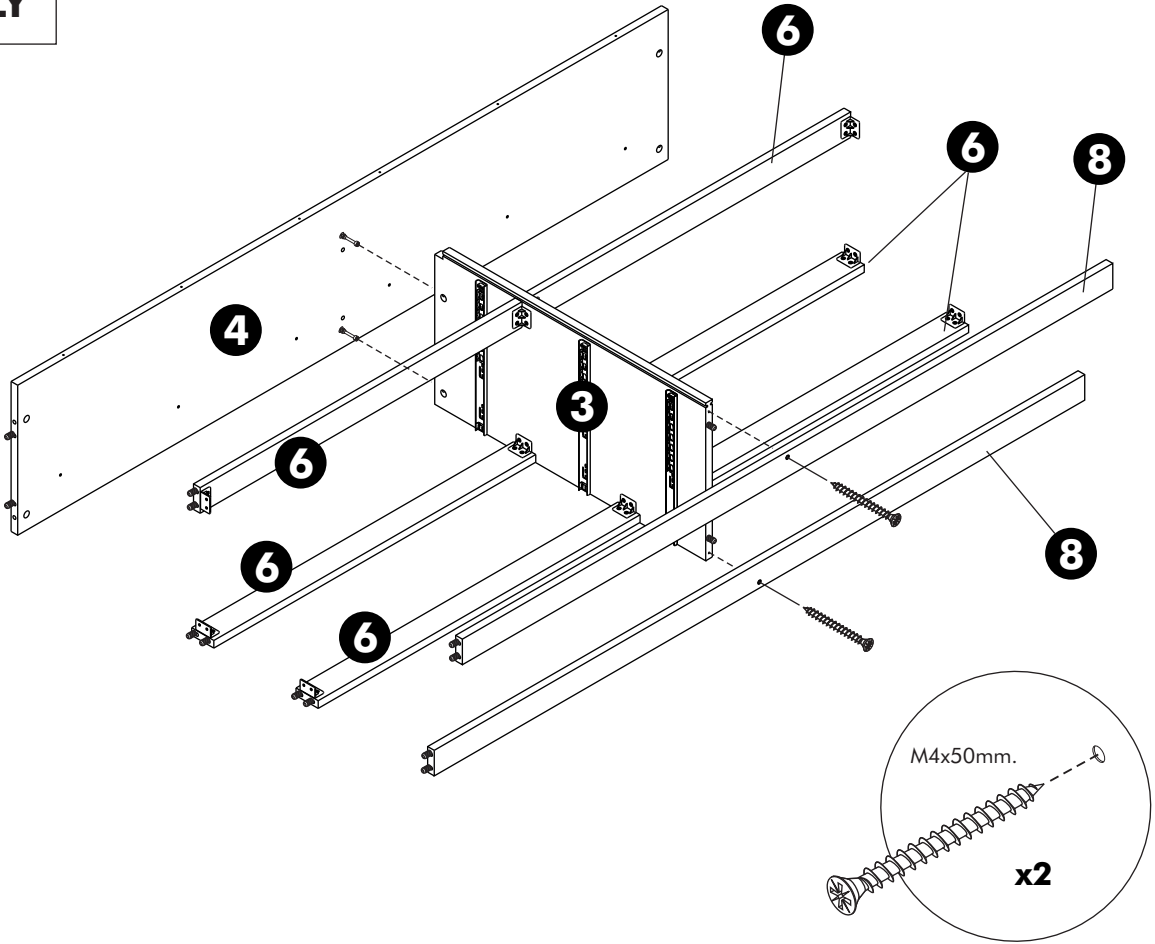


**x 1**

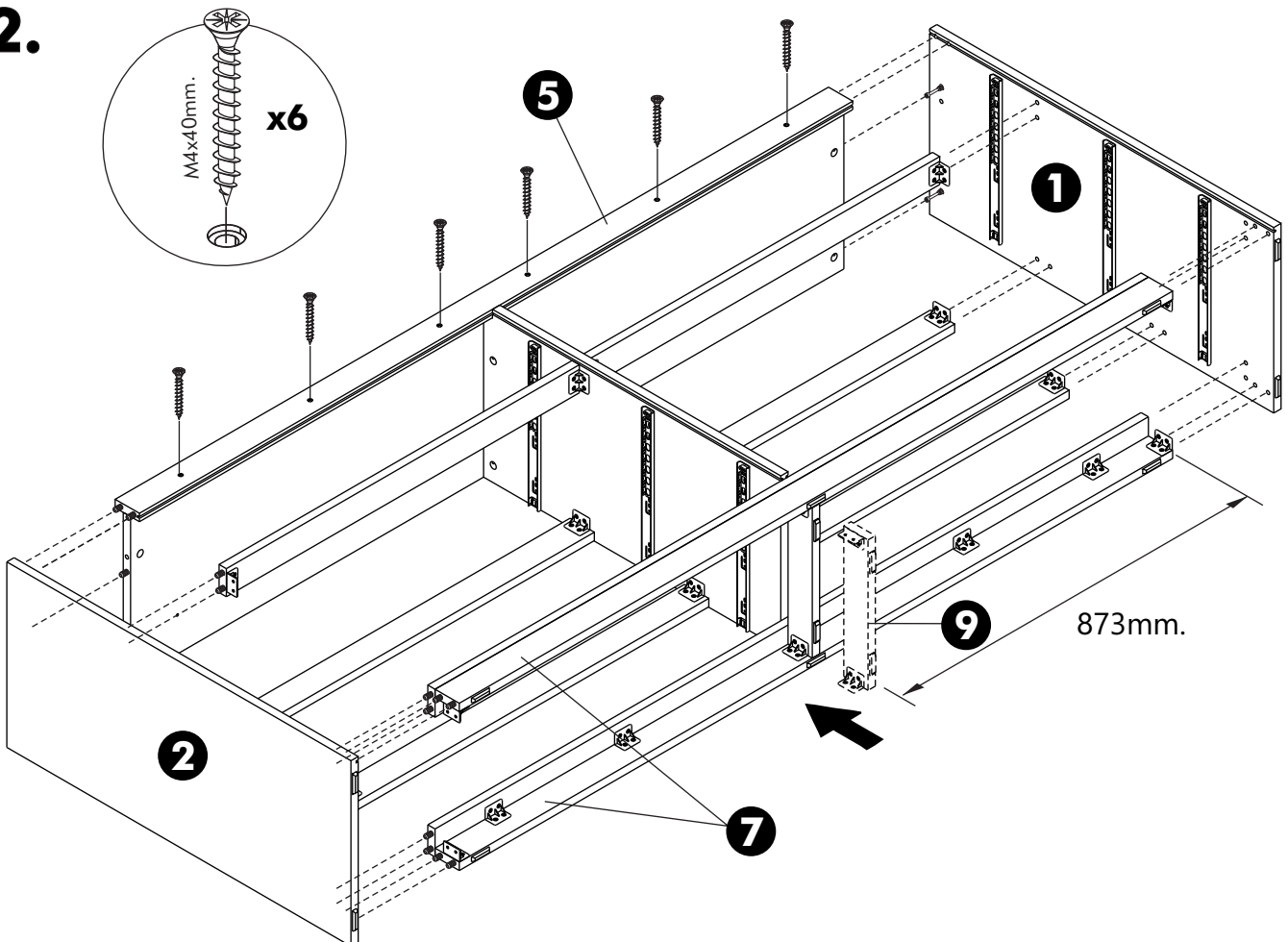
# ASSEMBLY

-BODY SET

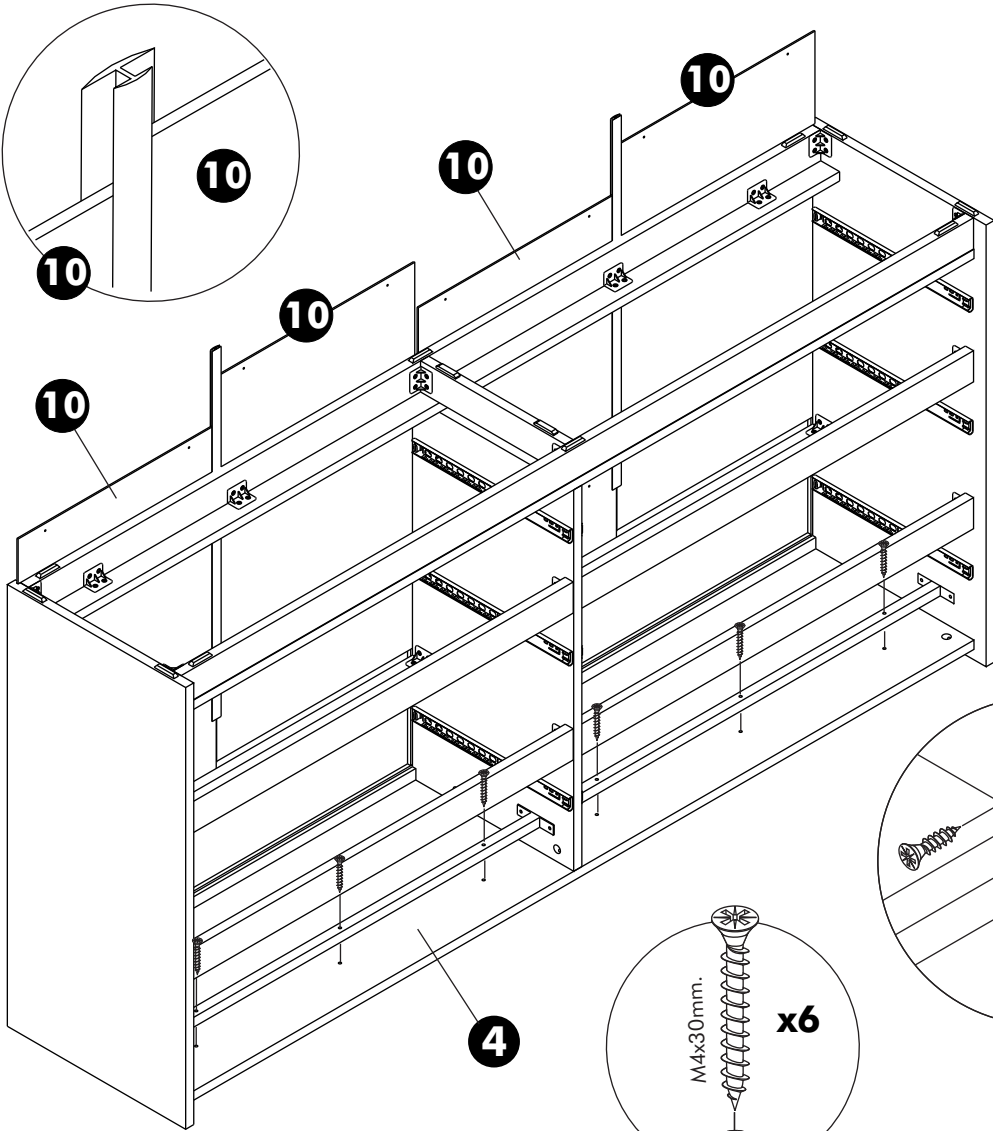
1.



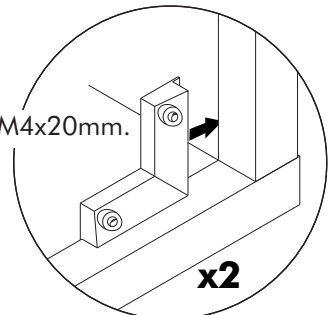
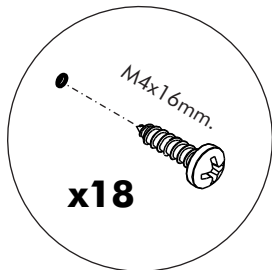
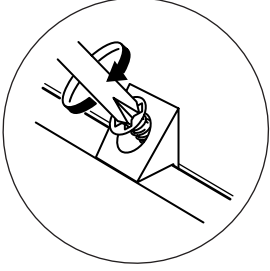
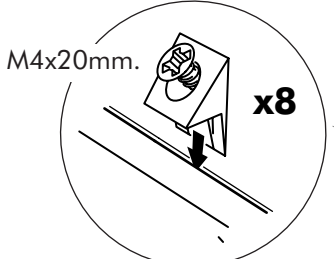
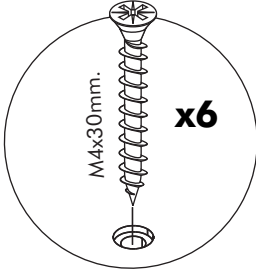
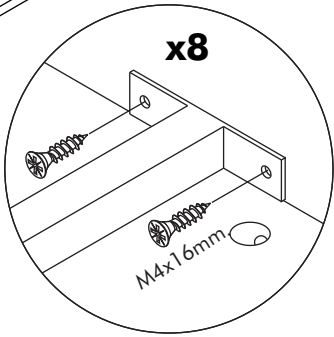
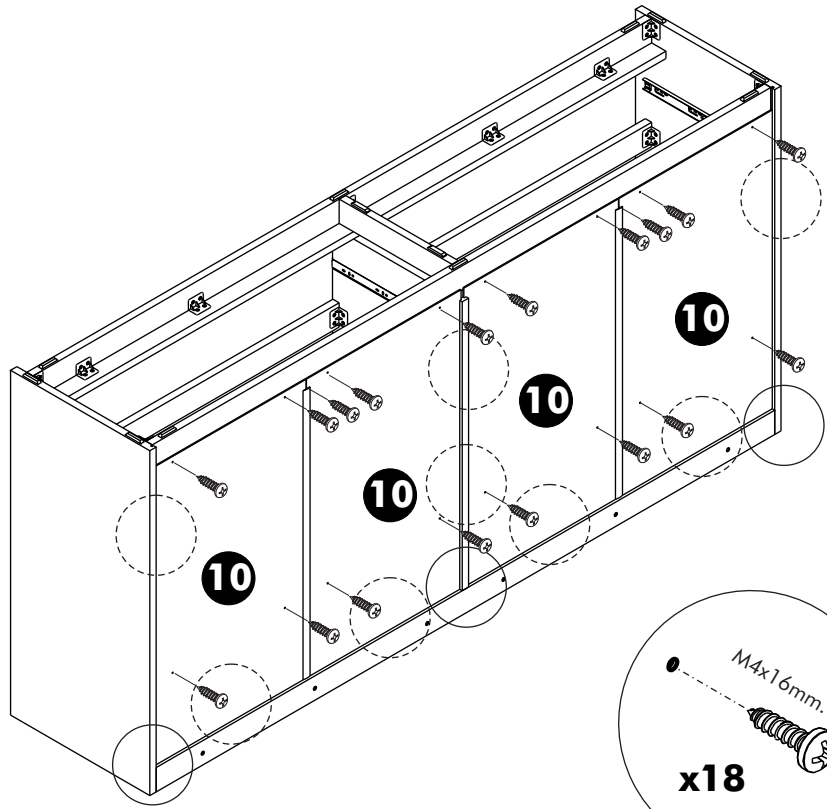
2.



**3.**

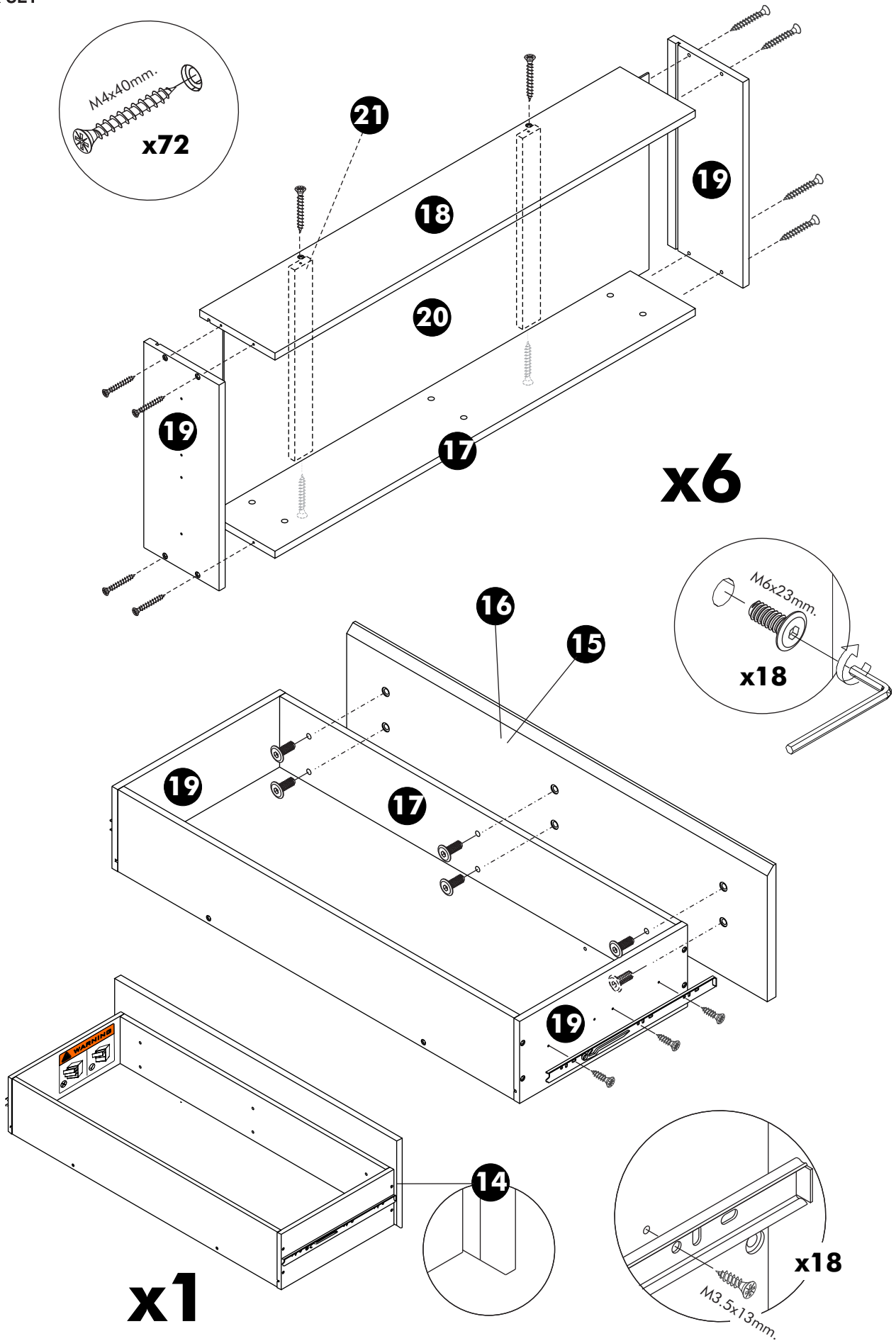


**4.**



# ASSEMBLY

-DRAWER SET



# ASSEMBLY

-DRAWER SET

