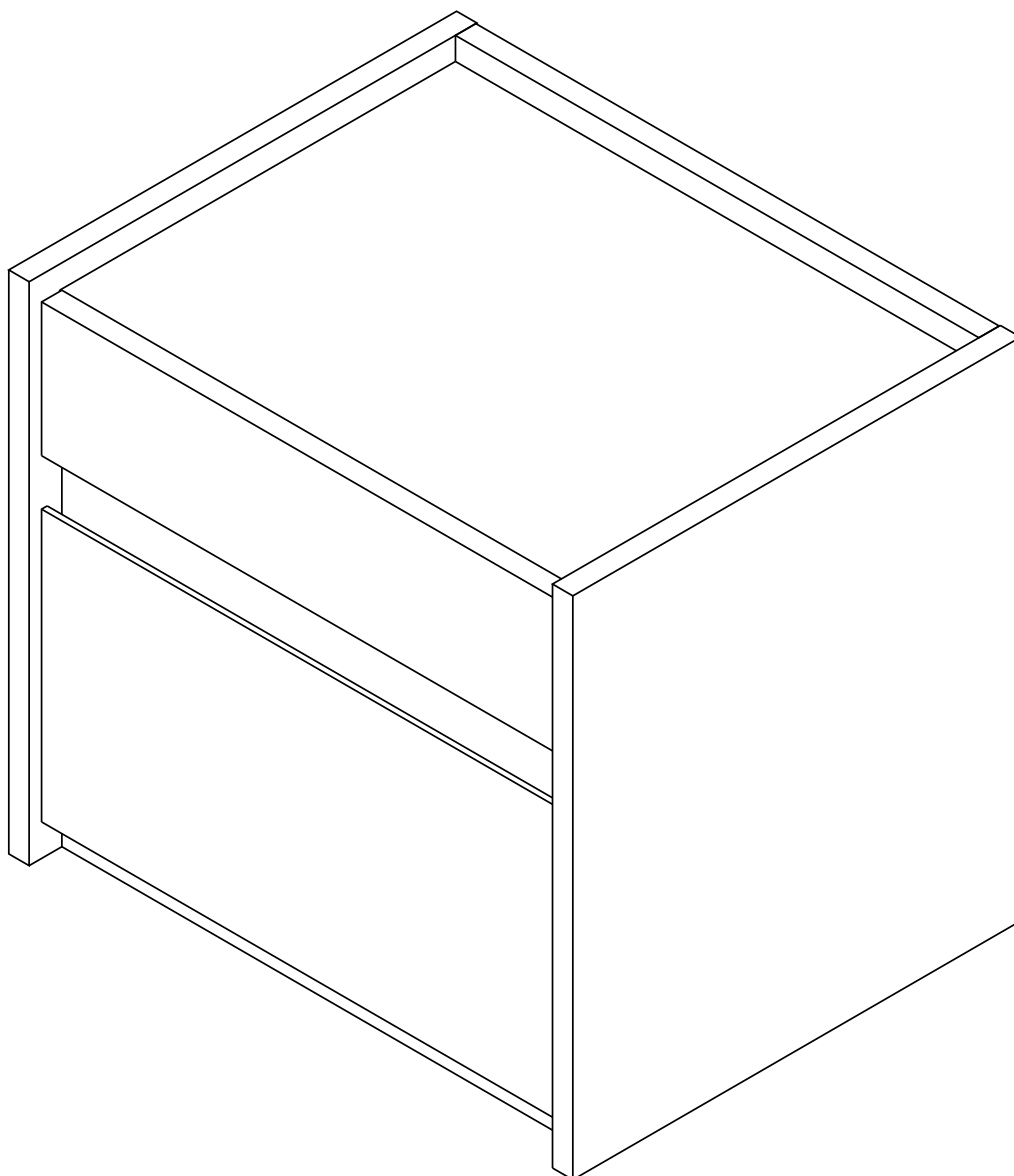


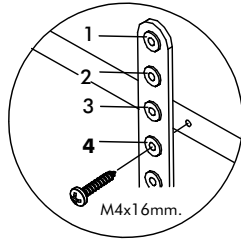
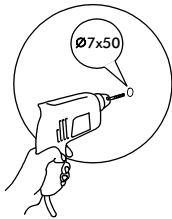
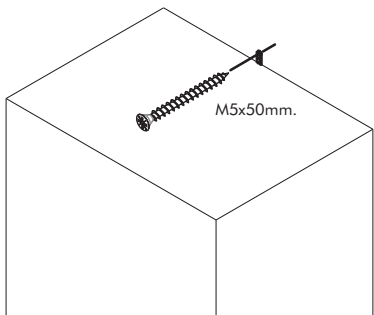
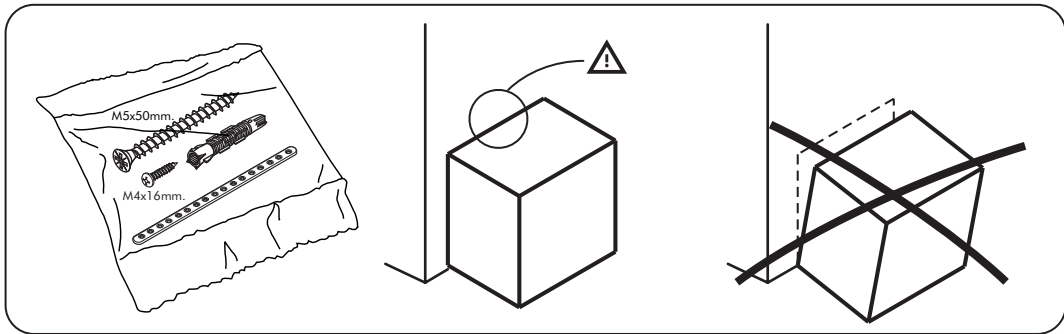
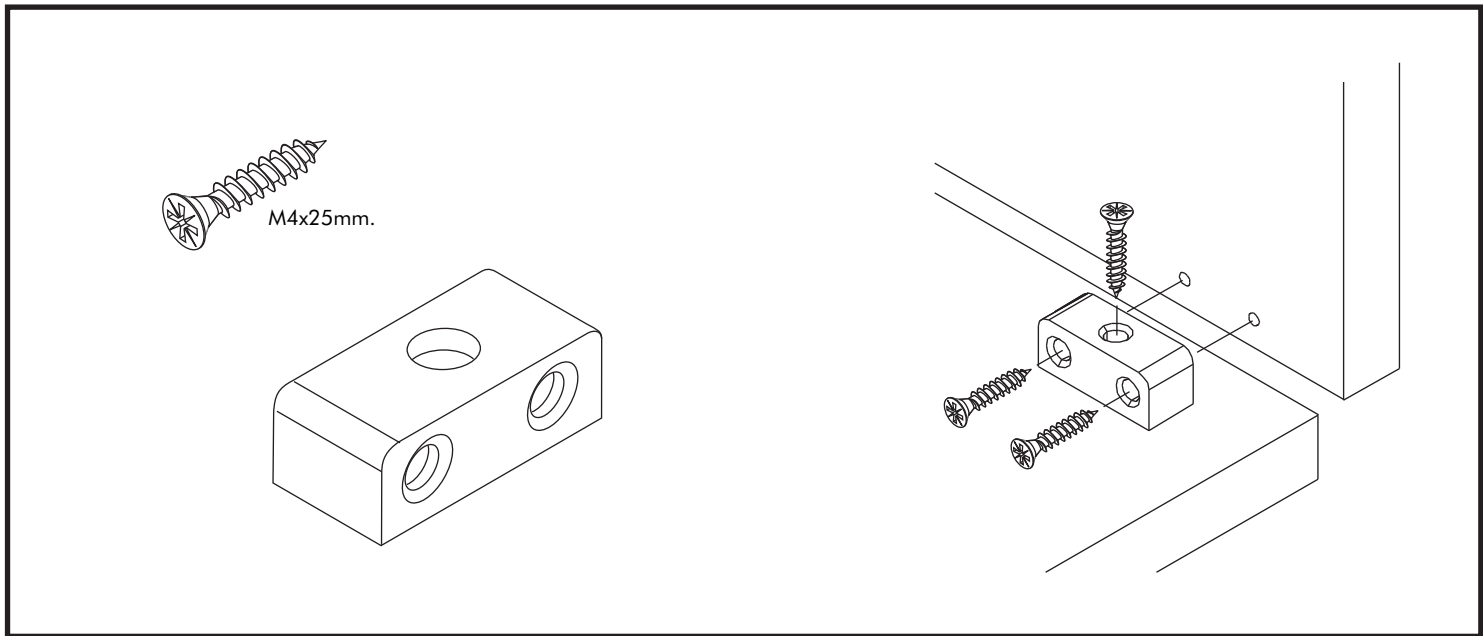
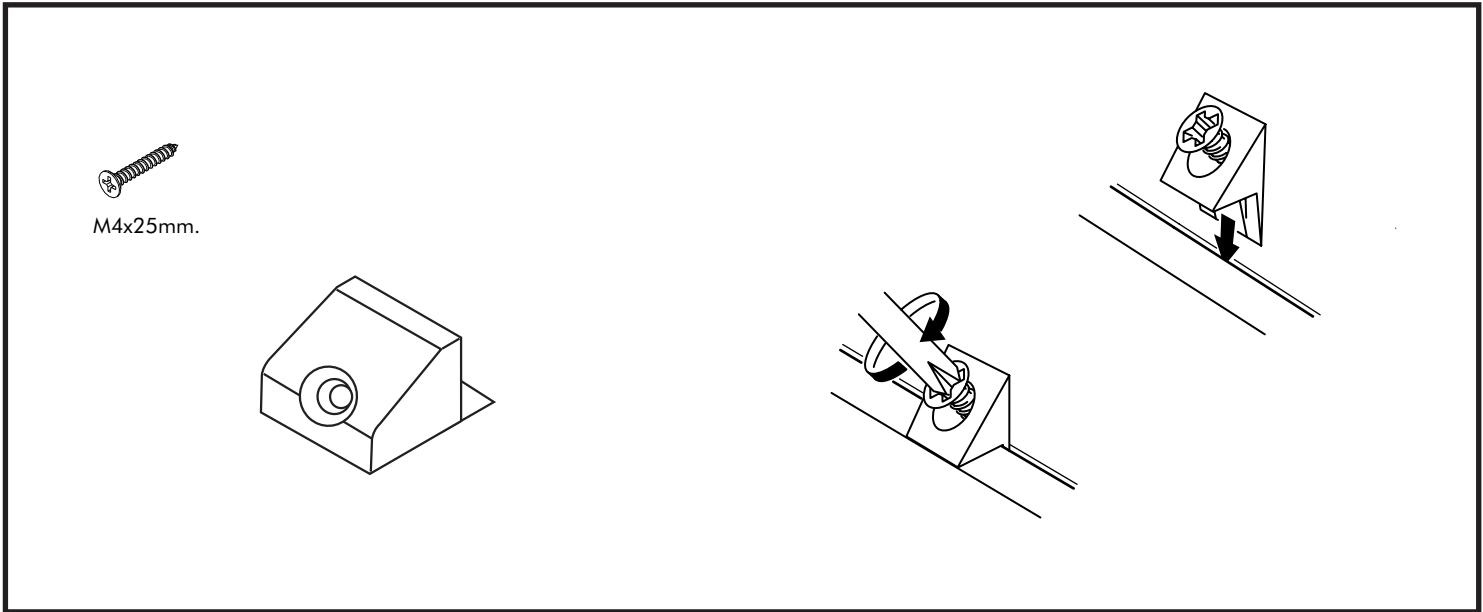
# CRARARA

**Night Table 50 Cm.**



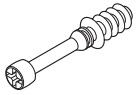


# CONNECT SYSTEM

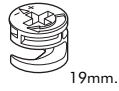


# HARDWARE

## -BODY SET

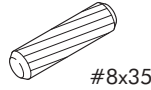


**x 8**



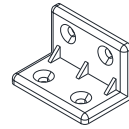
19mm.

**x 8**



#8x35

**x 20**

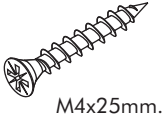


**x 4**



M4x16mm.

**x 16**



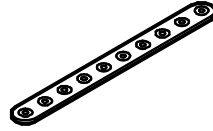
M4x25mm.

**x 21**

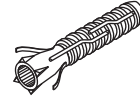


M5x50mm.

**x 1**



**x 1**

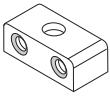


**x 1**

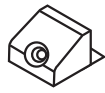


M4x16mm.

**x 3**

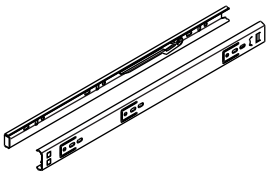


**x 6**



**x 3**

## -DRAWER SET



**x 2**



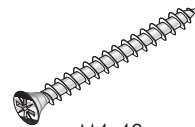
M3.5x13mm.

**x 24**



M6x25mm.

**x 8**



M4x40mm.

**x 10**

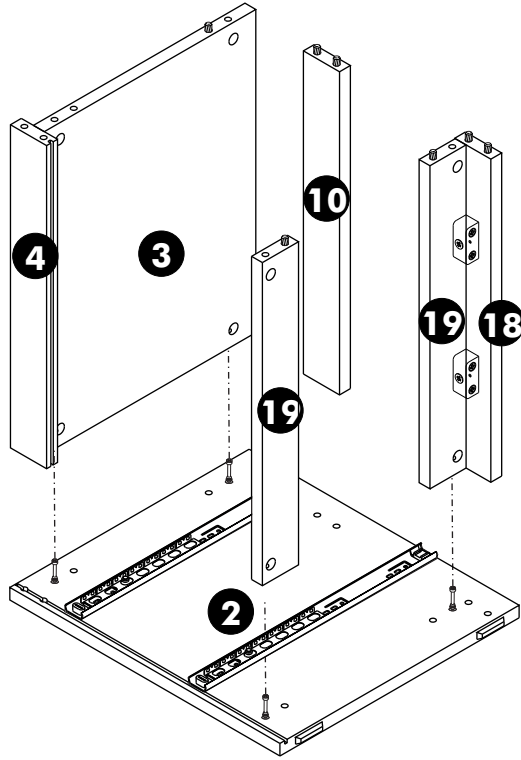


**x 1**

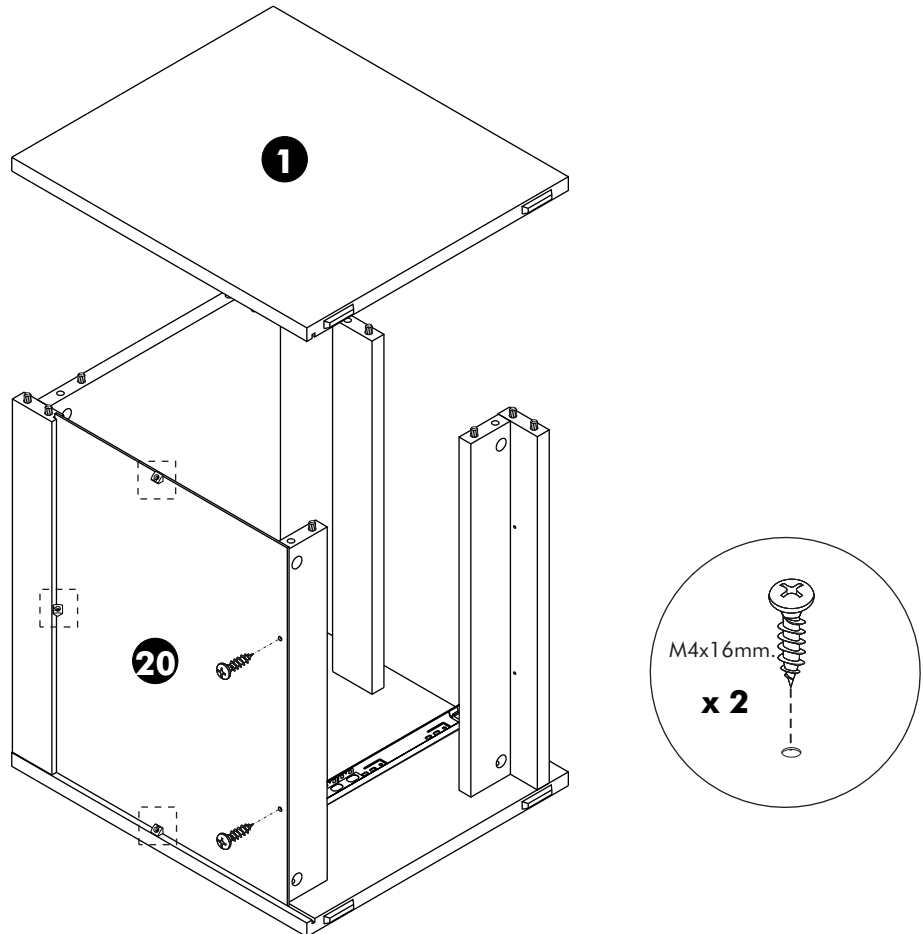
# ASSEMBLY

-BODY SET

**1.**



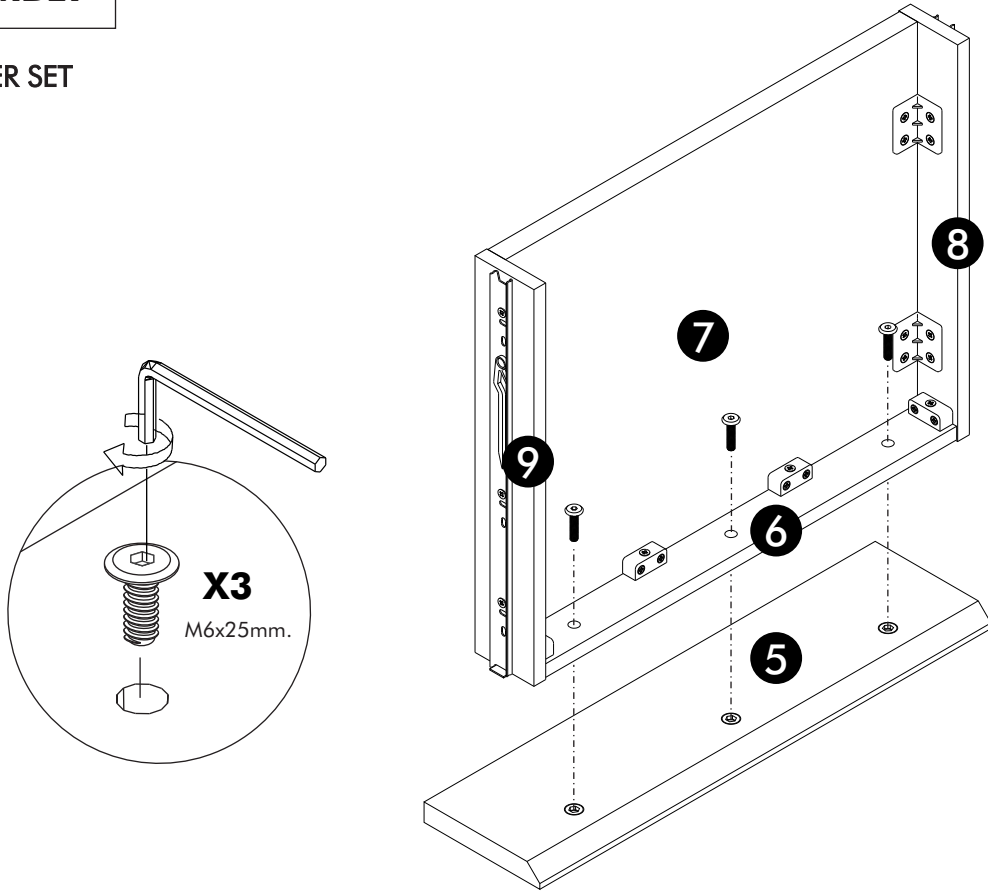
**2.**



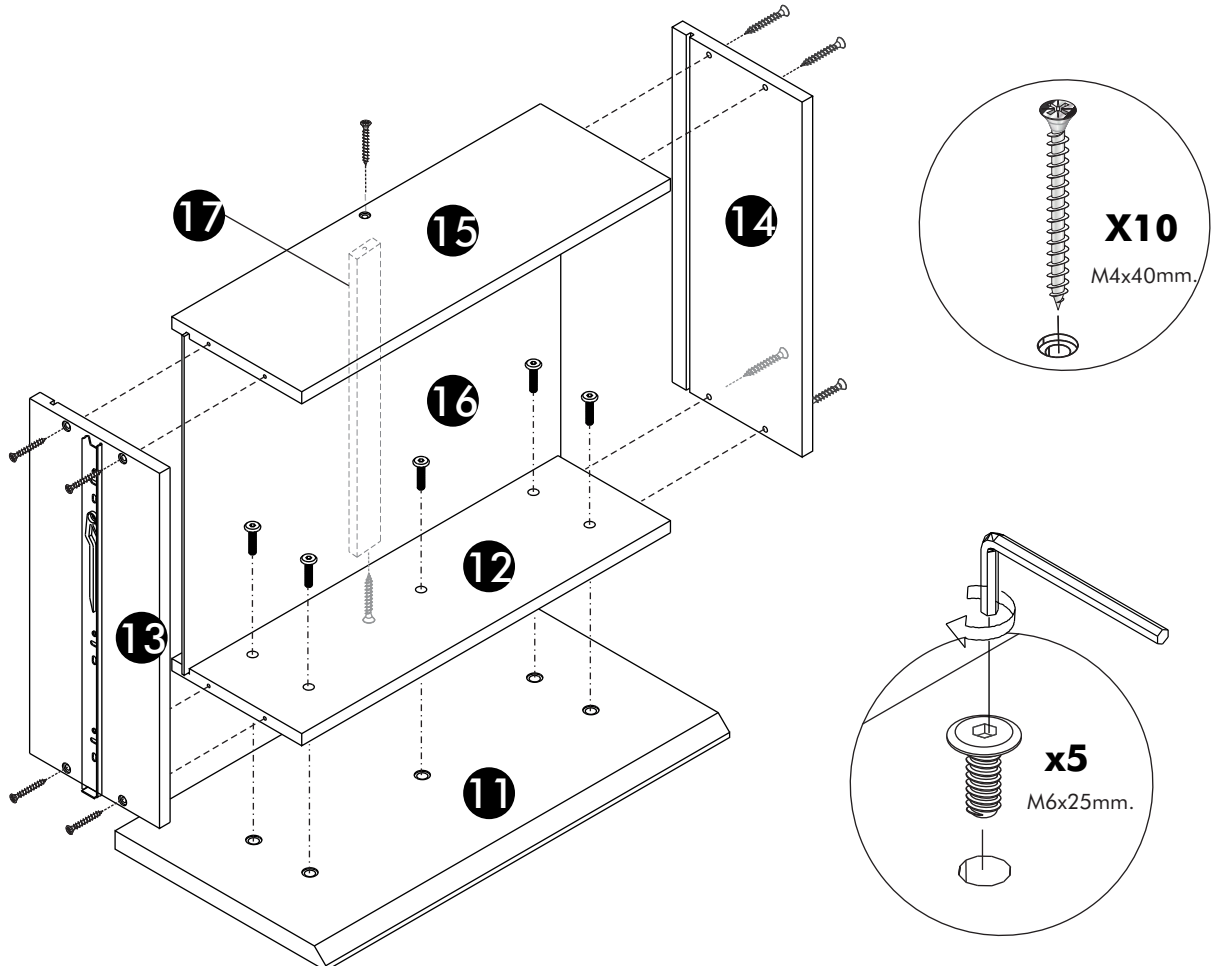
# ASSEMBLY

-DRAWER SET

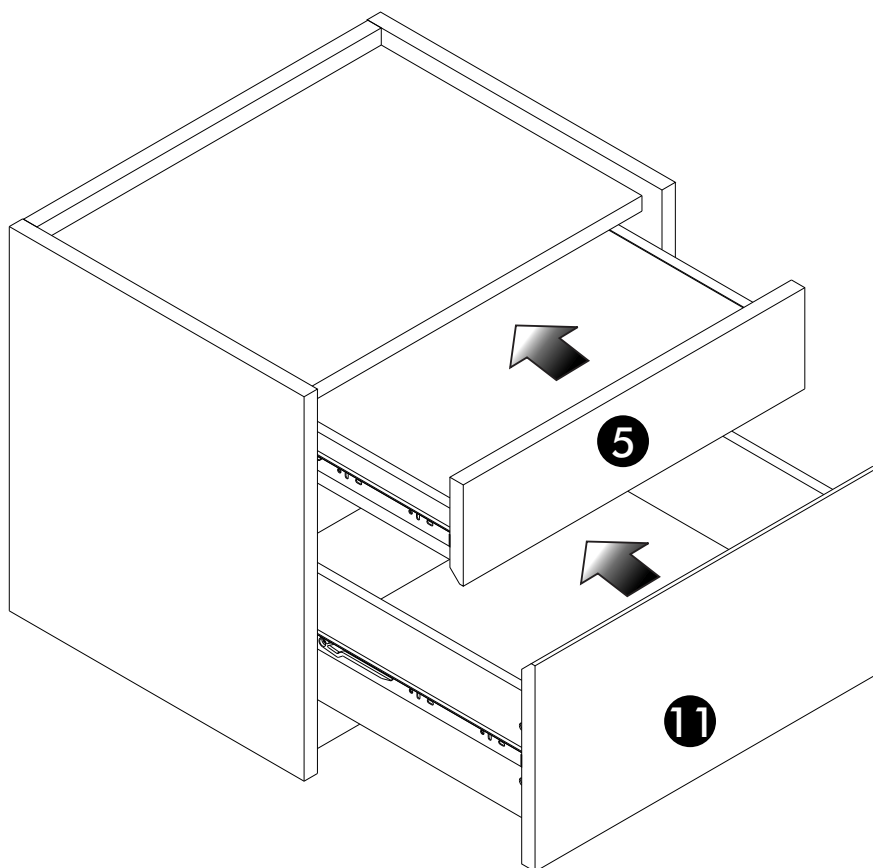
1.



2.



**3.**



**4.**

