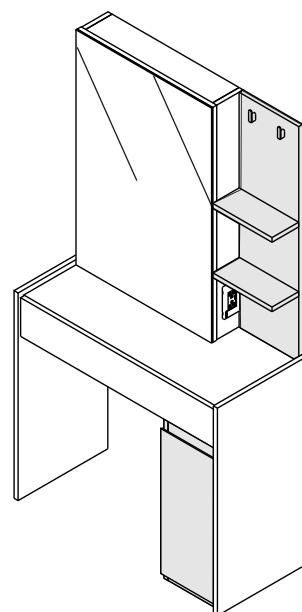
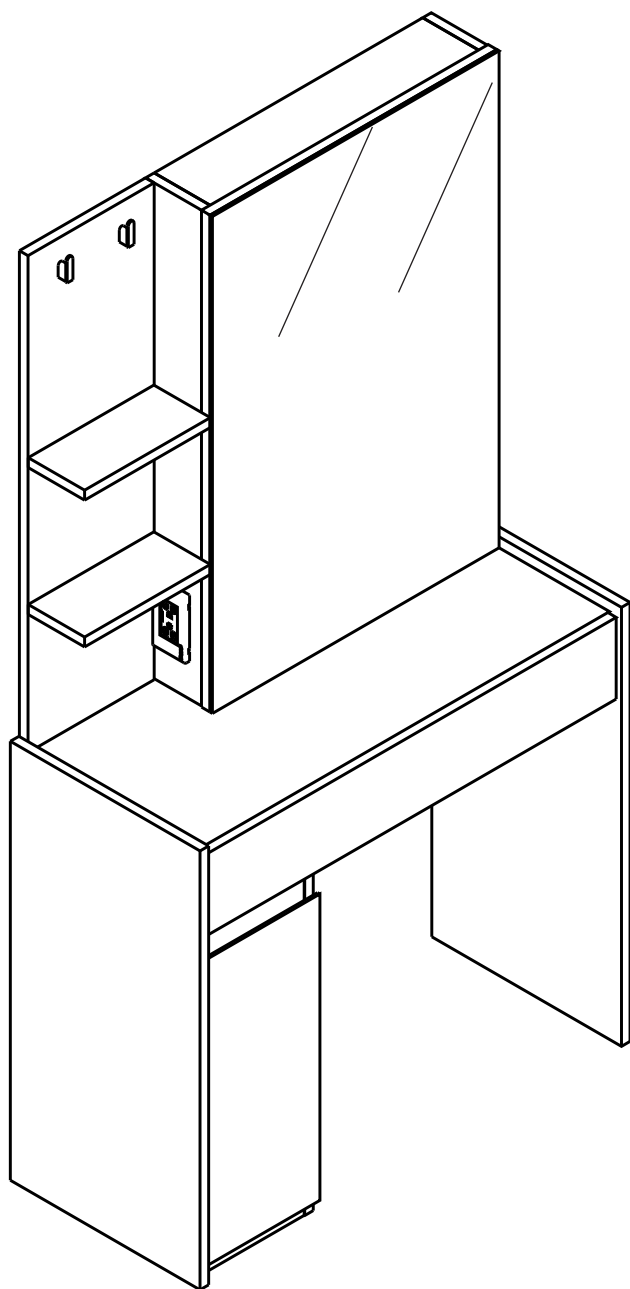


CRARARA

Dressing table



CONNECT SYSTEM

1

3

2

(Connecting bolts)

WHEN FITTING CAMS
 ENSURE STARTING POSITION IS CORRECT
 BEFORE YOU INSERT CONNECTING BOLT
 TURN CLOCKWISE UNTIL SECURE

✓				✗
	↑ CORRECT	WRONG		

M4x16mm.

DOOR PANEL

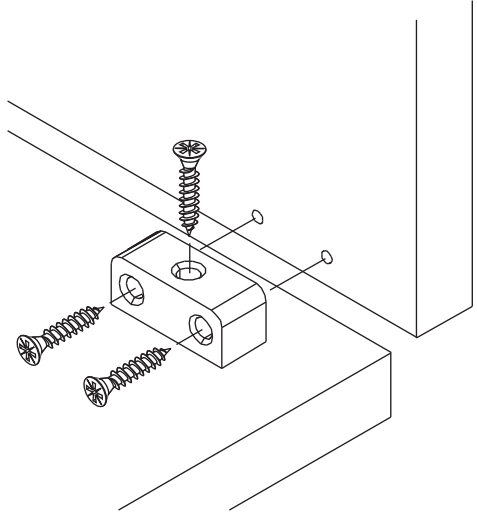
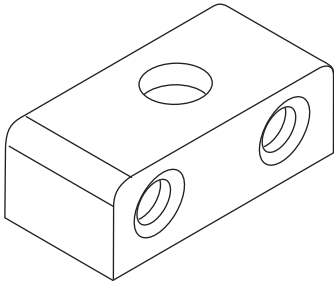
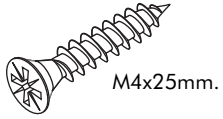
M3.5x13mm.

1

2

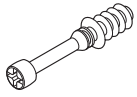
M3.5x13mm.

CONNECT SYSTEM



HARDWARE

-BODY SET

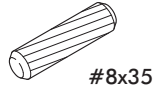


x 29



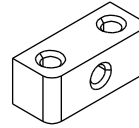
16mm.

x 29

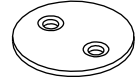


#8x35

x 58



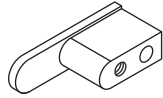
x 10



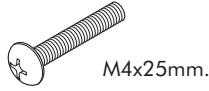
x 3



x 4



x 2



M4x25mm.

x 2



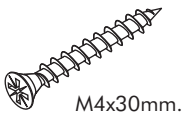
M4x16mm.

x 12



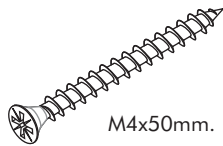
M4x25mm.

x 30



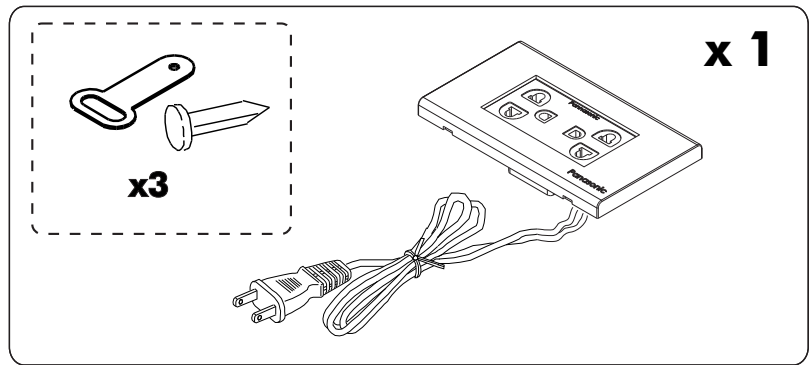
M4x30mm.

x 7



M4x50mm.

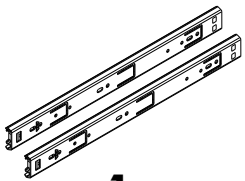
x 8



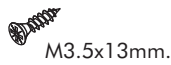
x3

x 1

-DRAWER SET

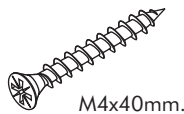


x 1



M3.5x13mm.

x 12



M4x40mm.

x 12



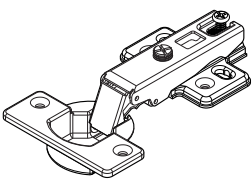
M6x23mm.

x 3



x 1

-DOOR SET



x 2



M4x16mm.

x 12

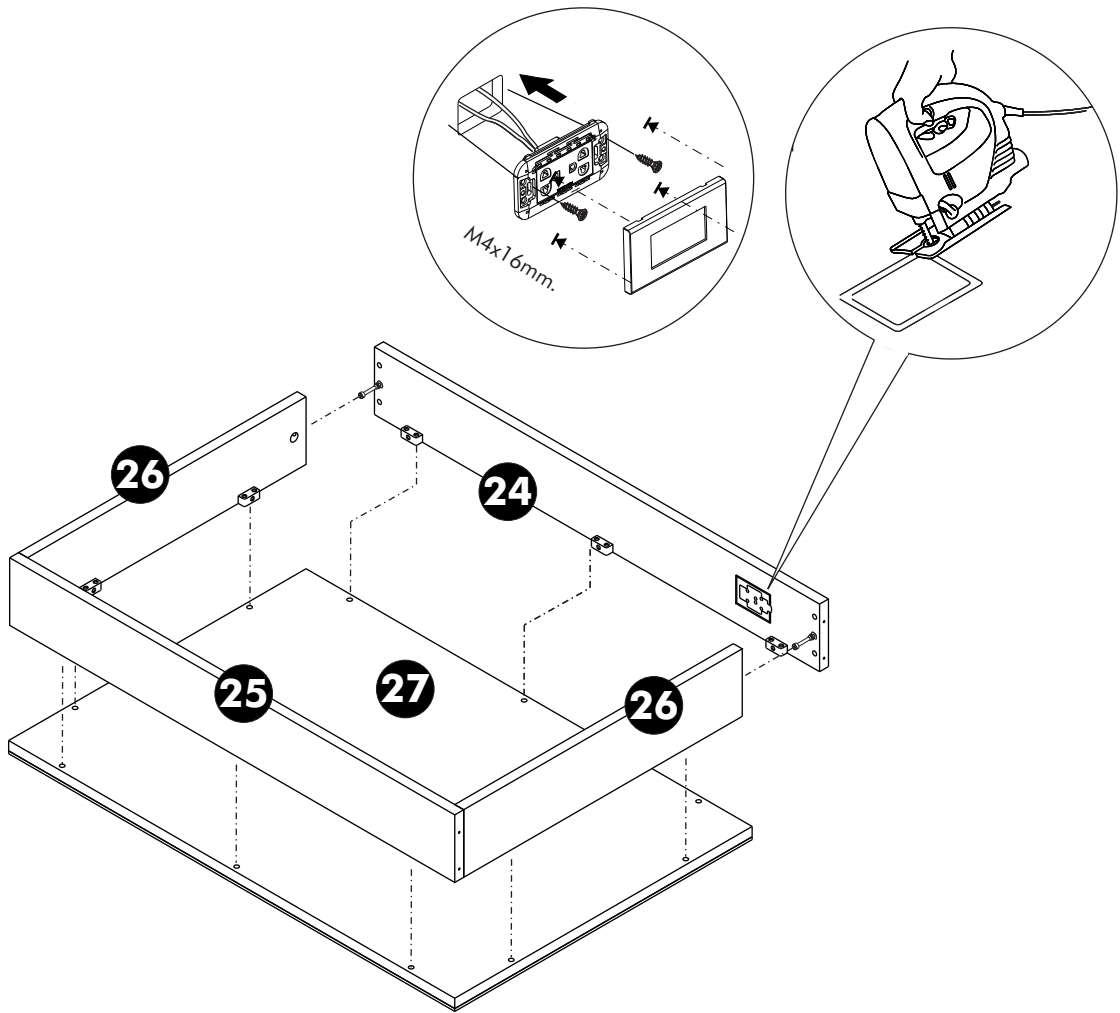


x 2

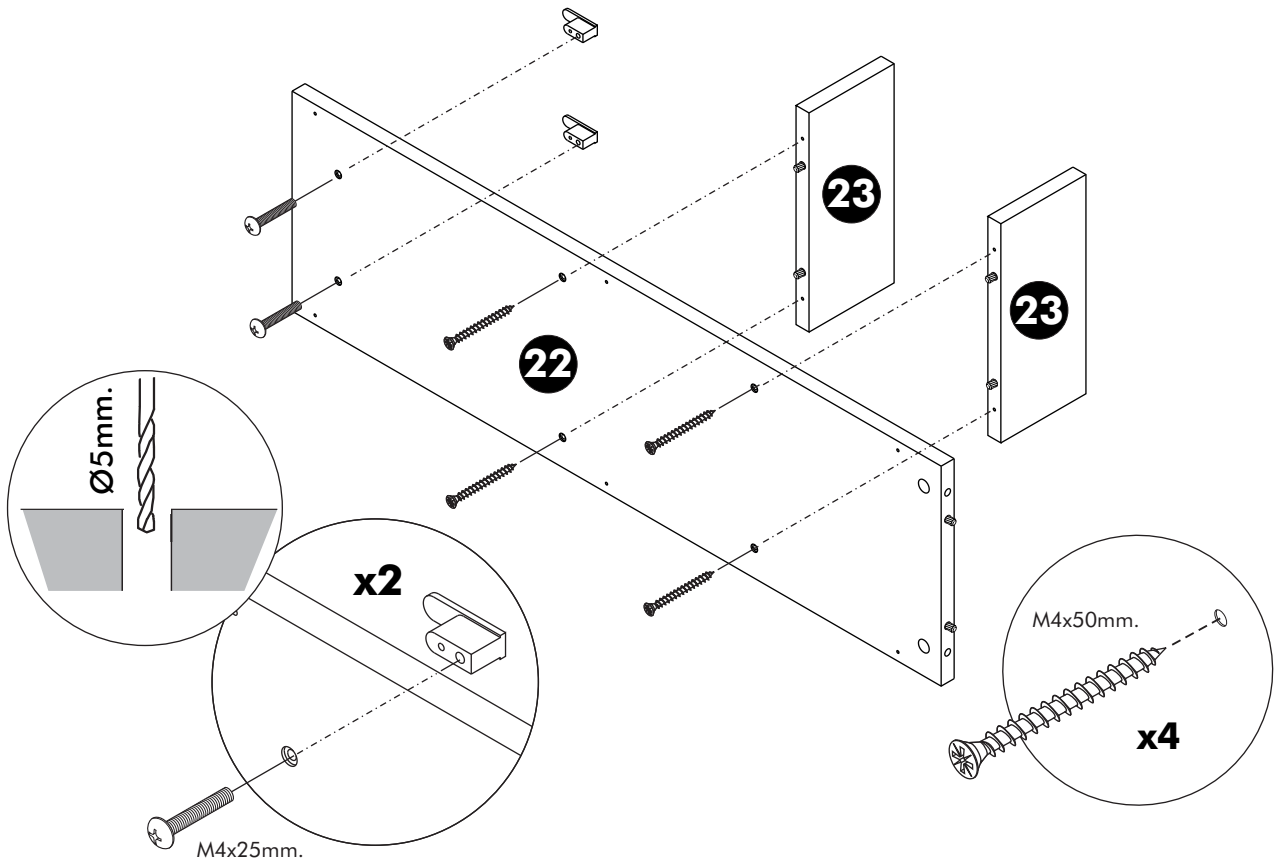
ASSEMBLY

-BODY SET

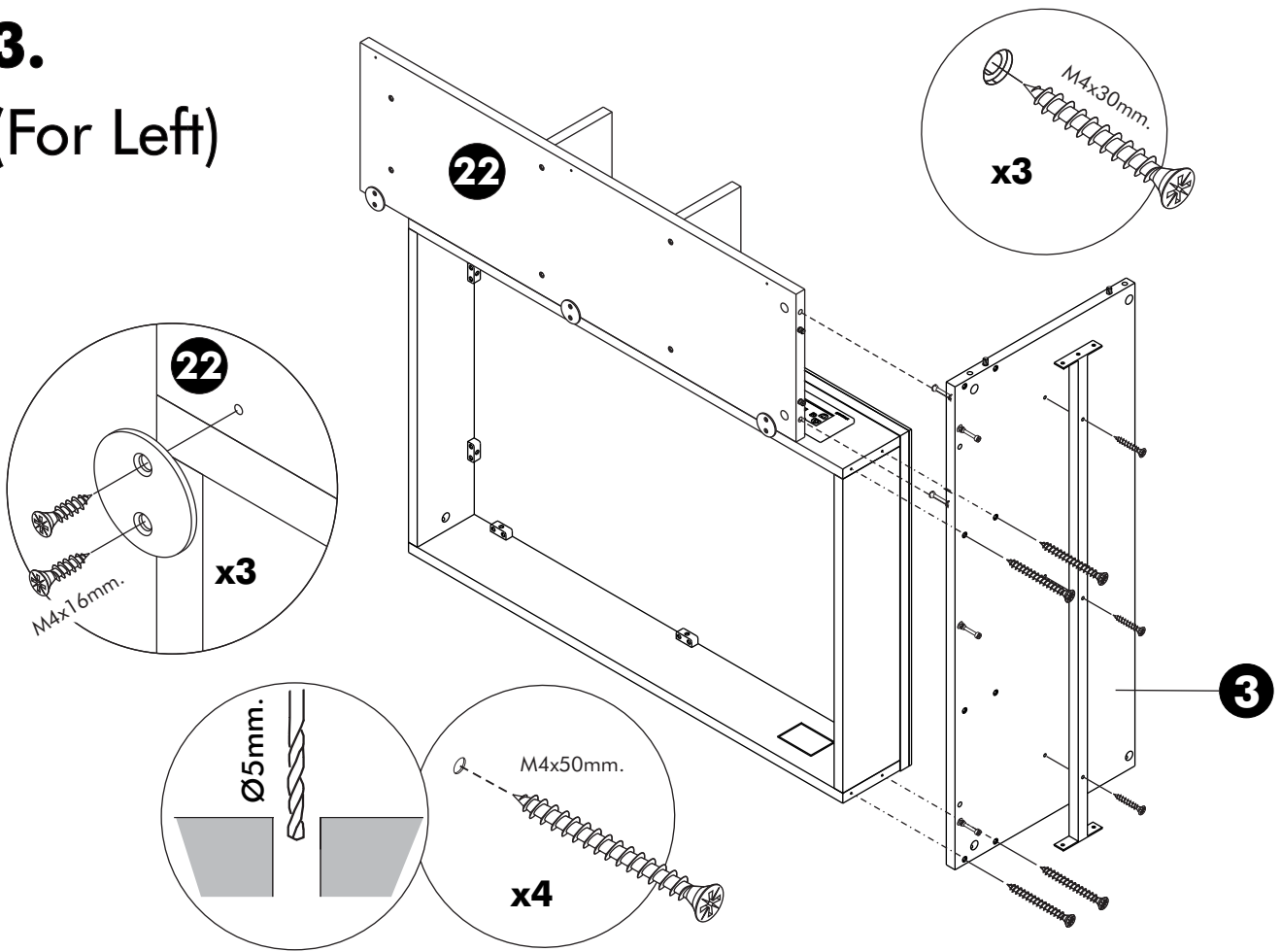
1.



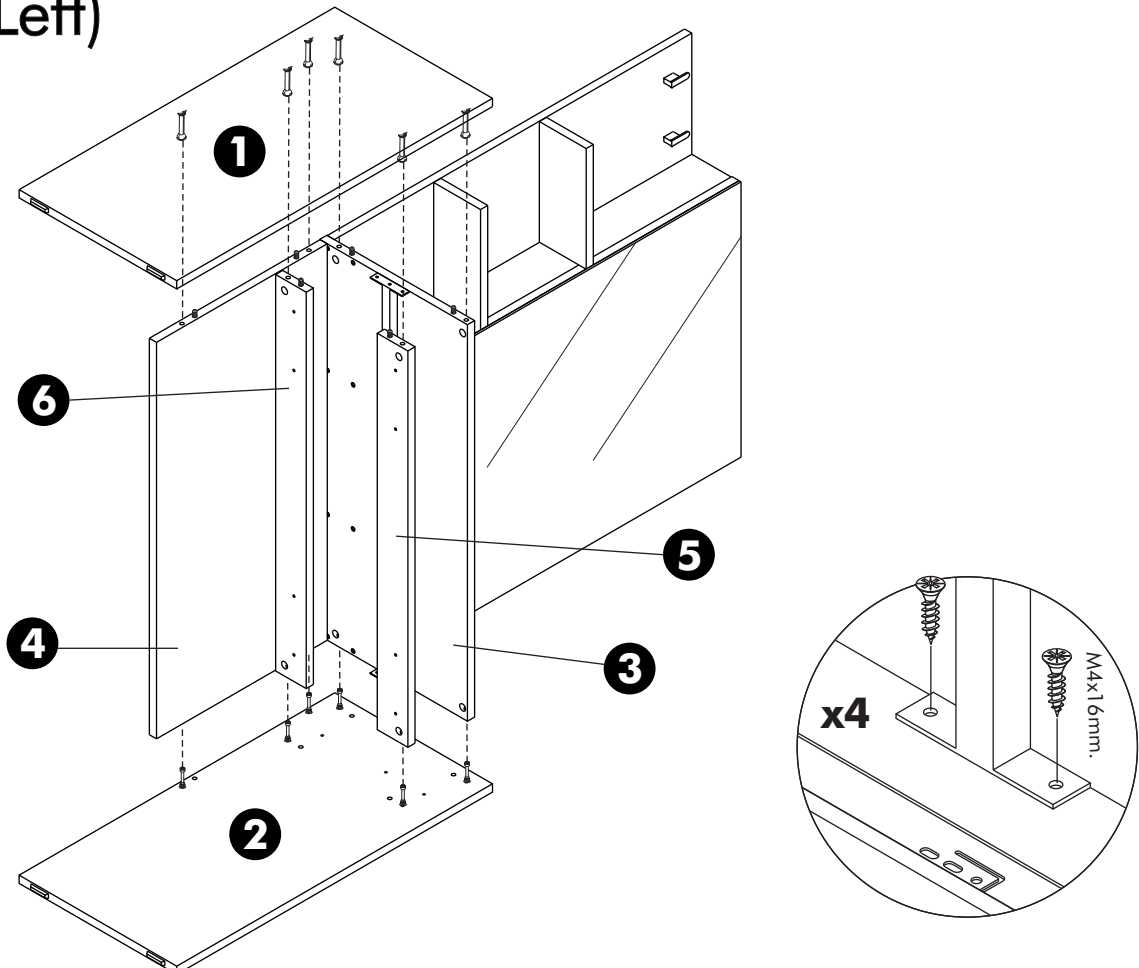
2.



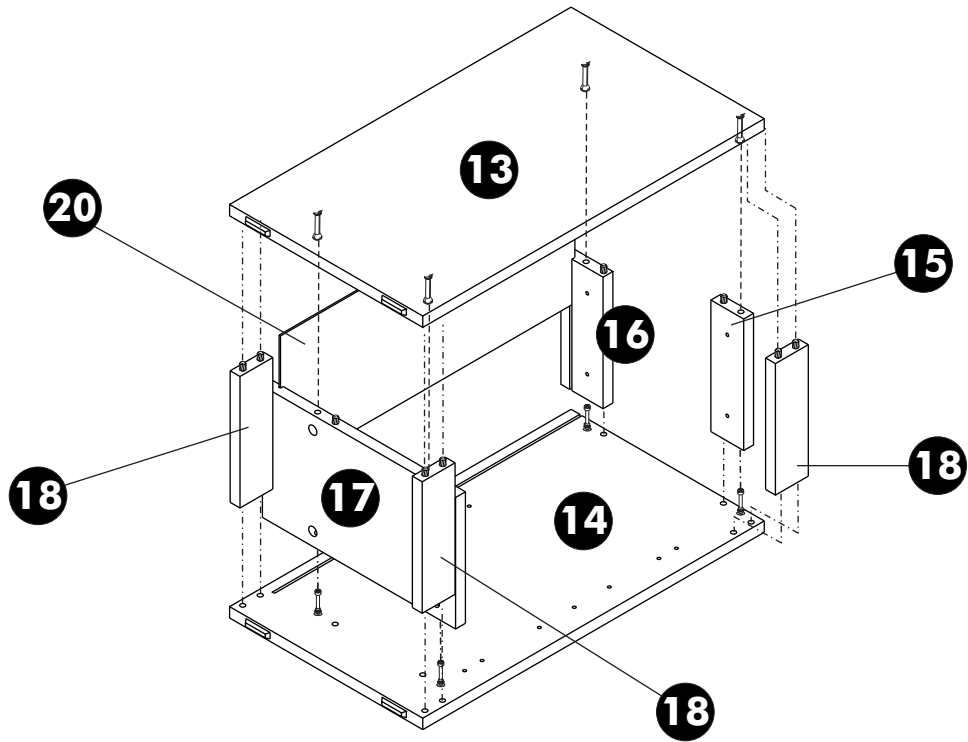
3. (For Left)



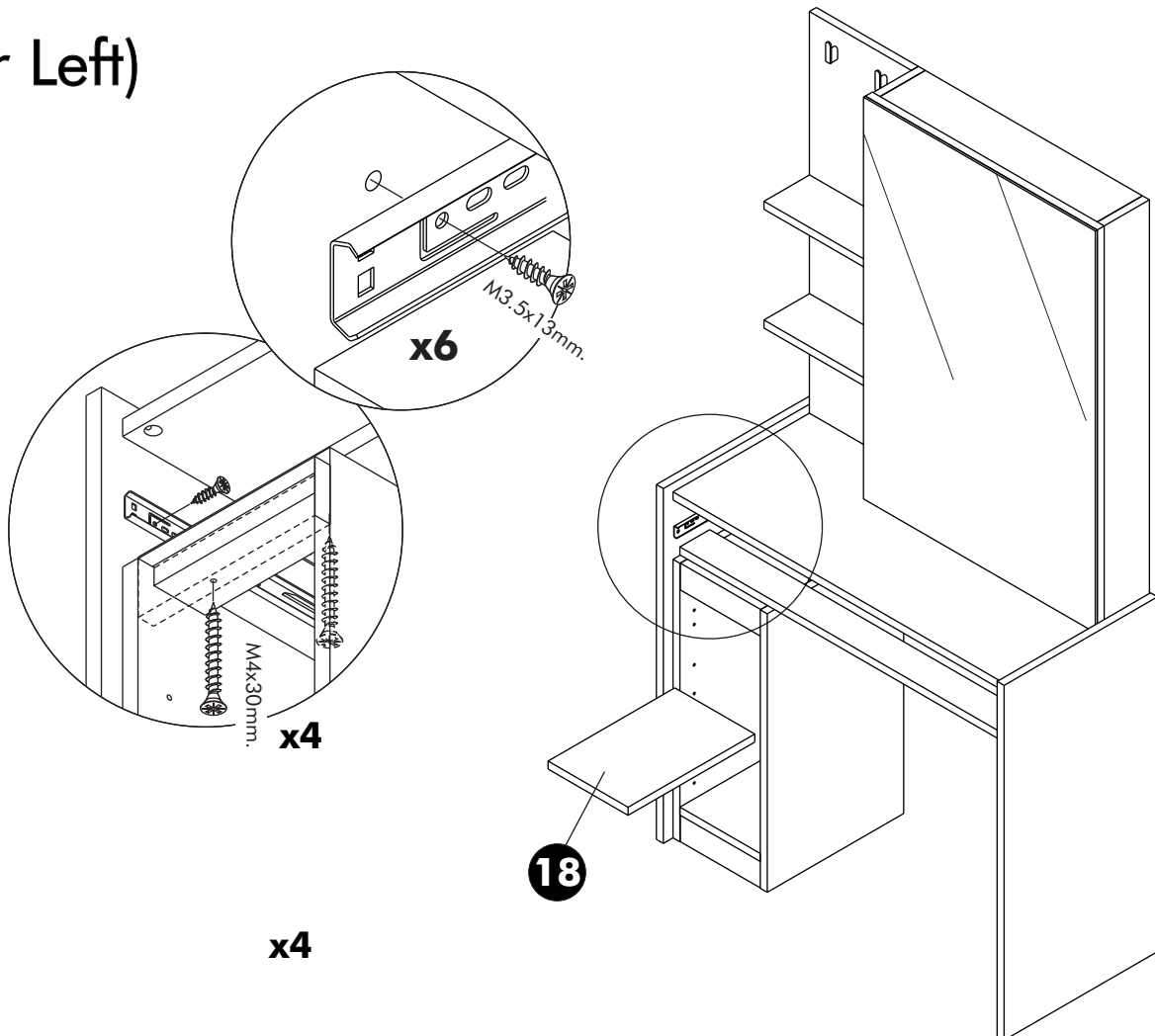
4. (For Left)



5.

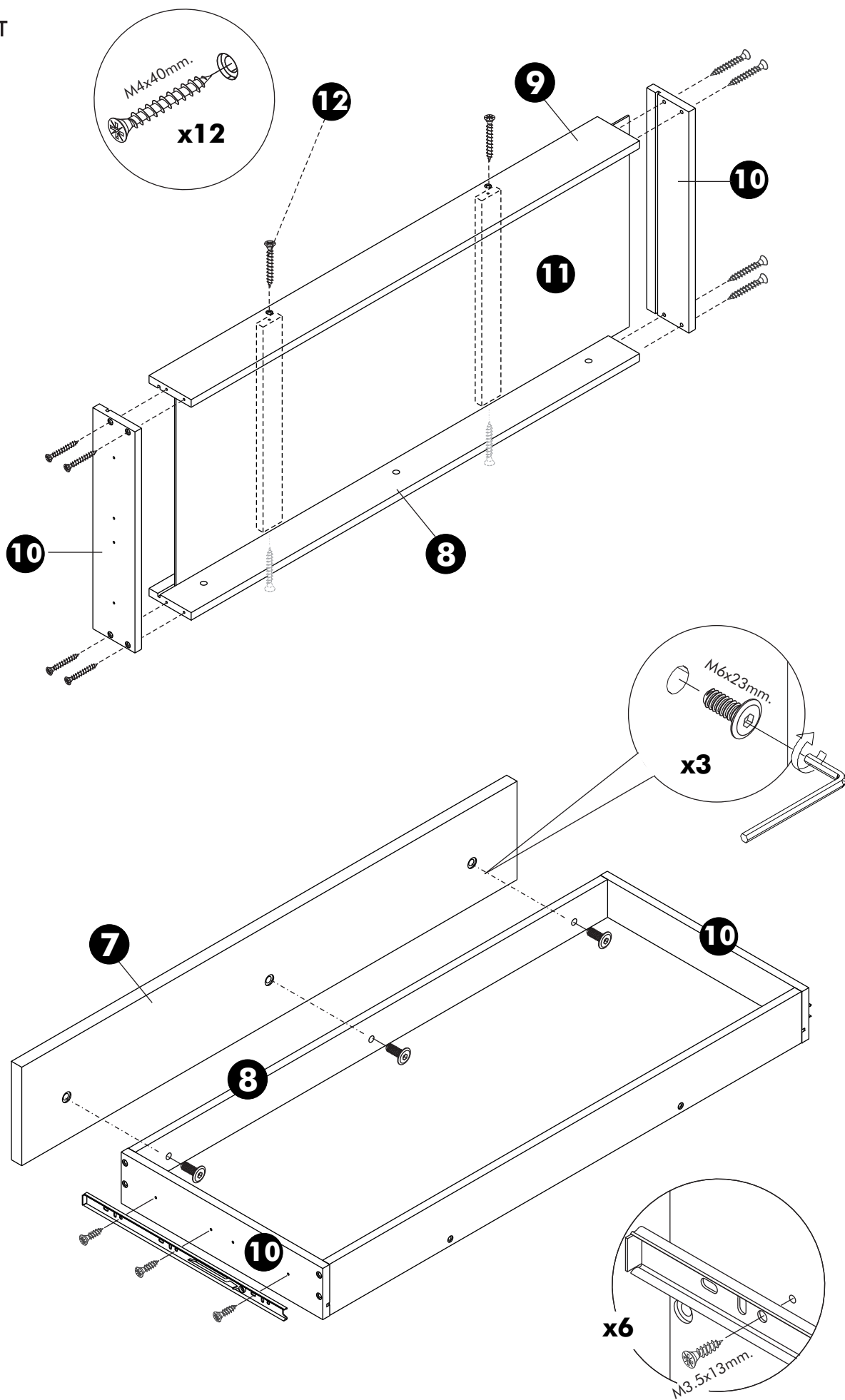


6.
(For Left)



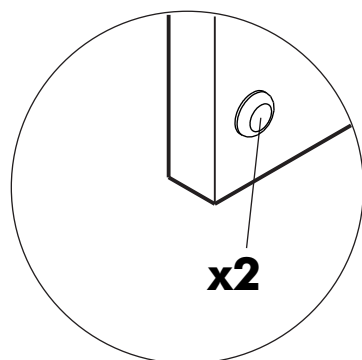
ASSEMBLY

-DOOR SET



ASSEMBLY

-DOOR SET



21

