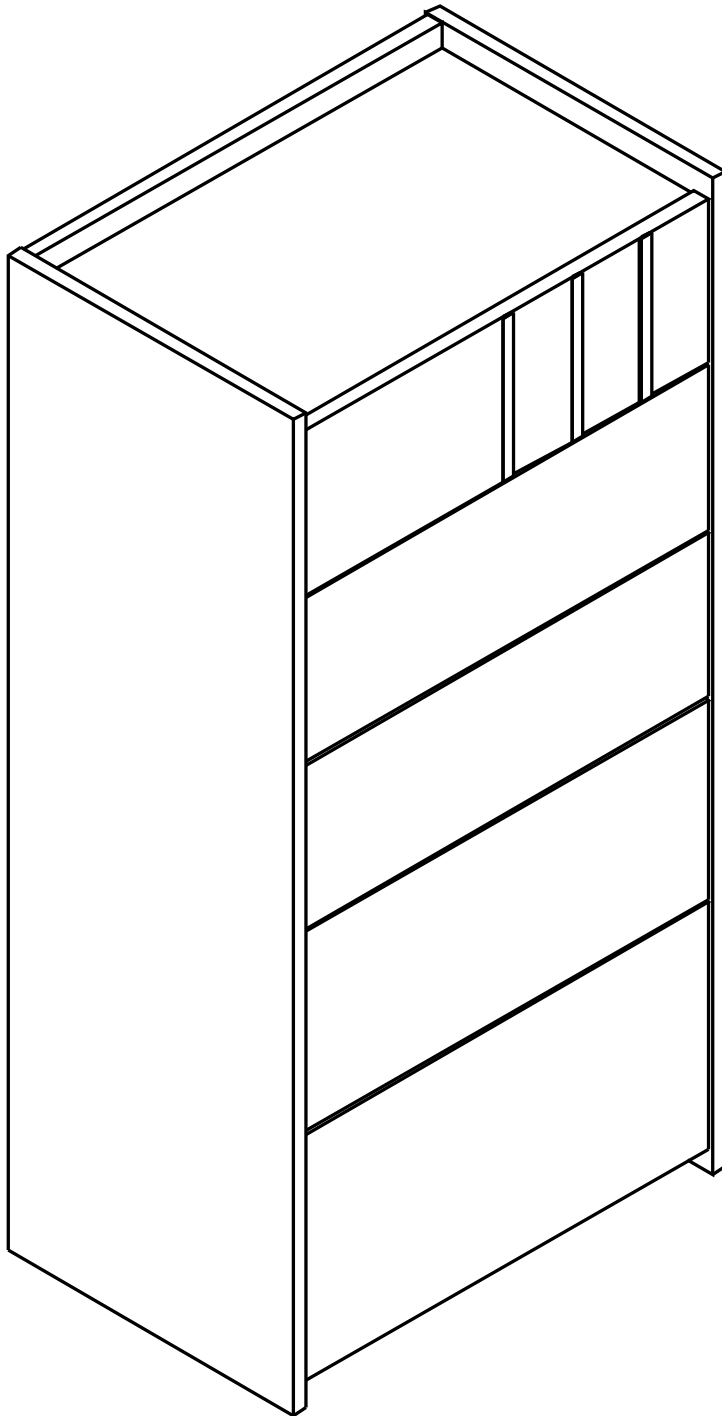
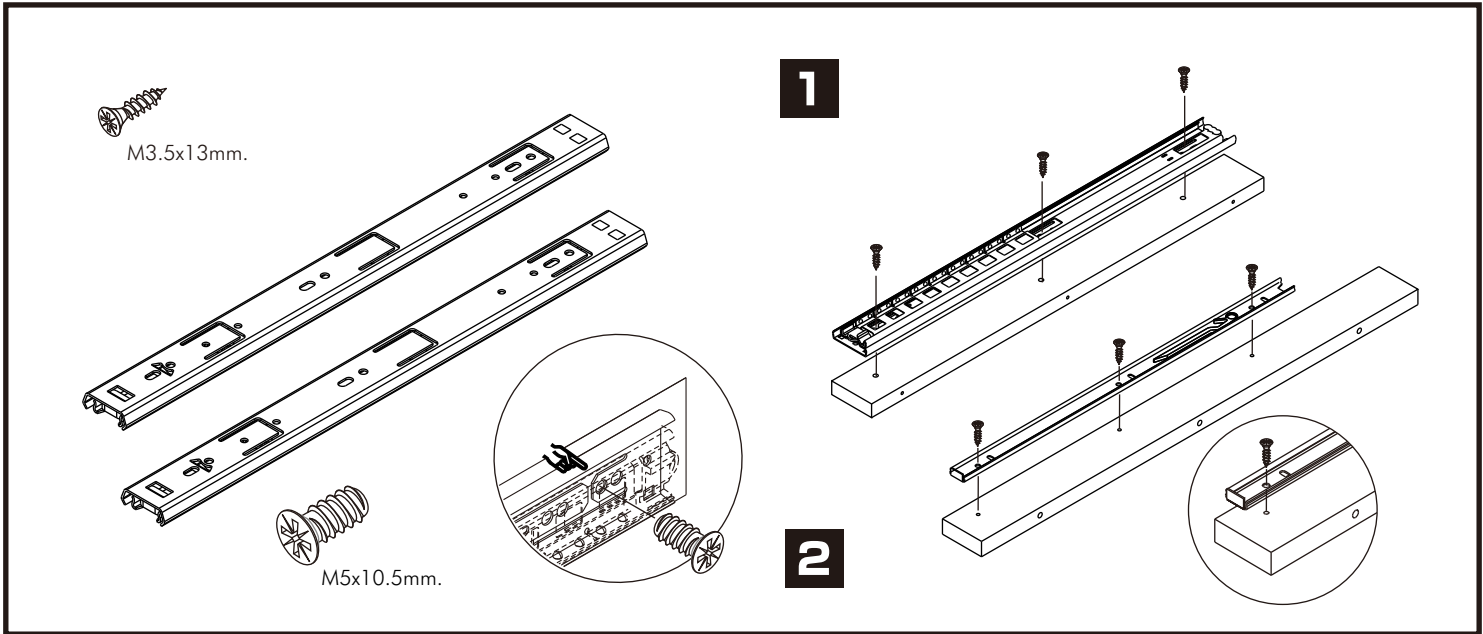
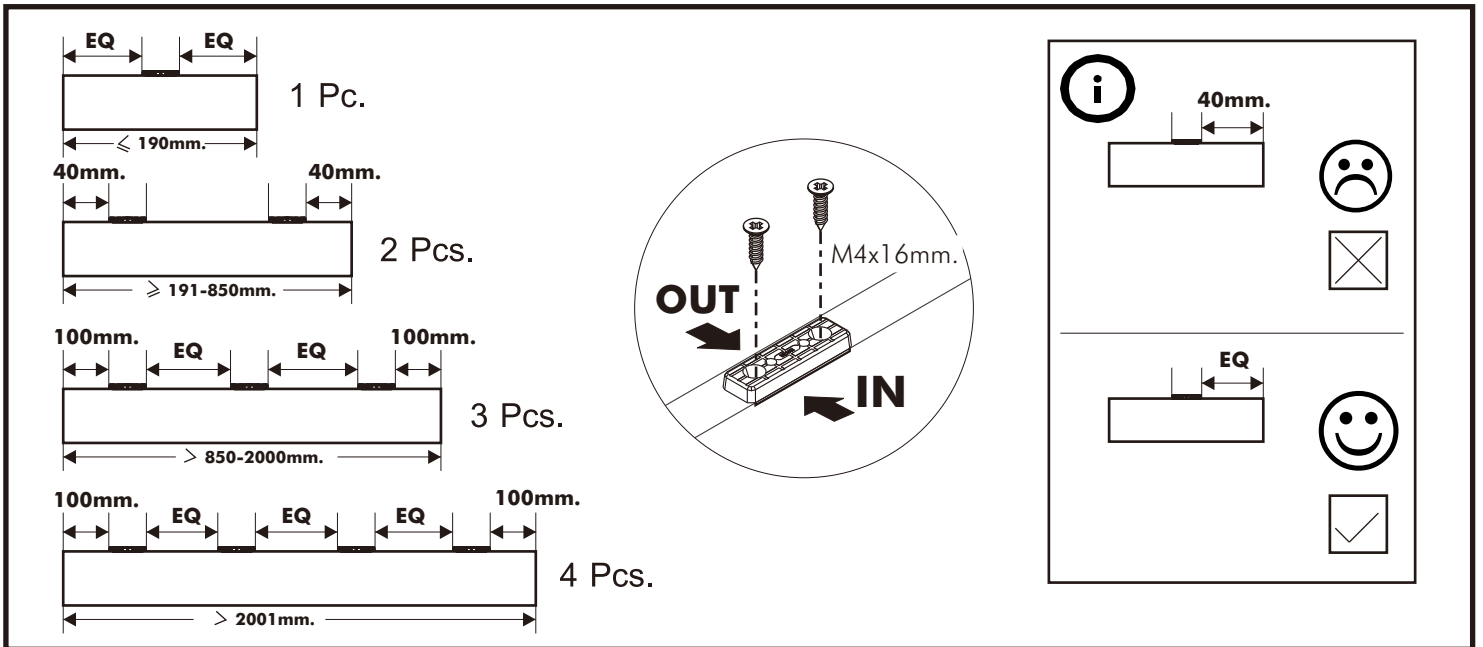
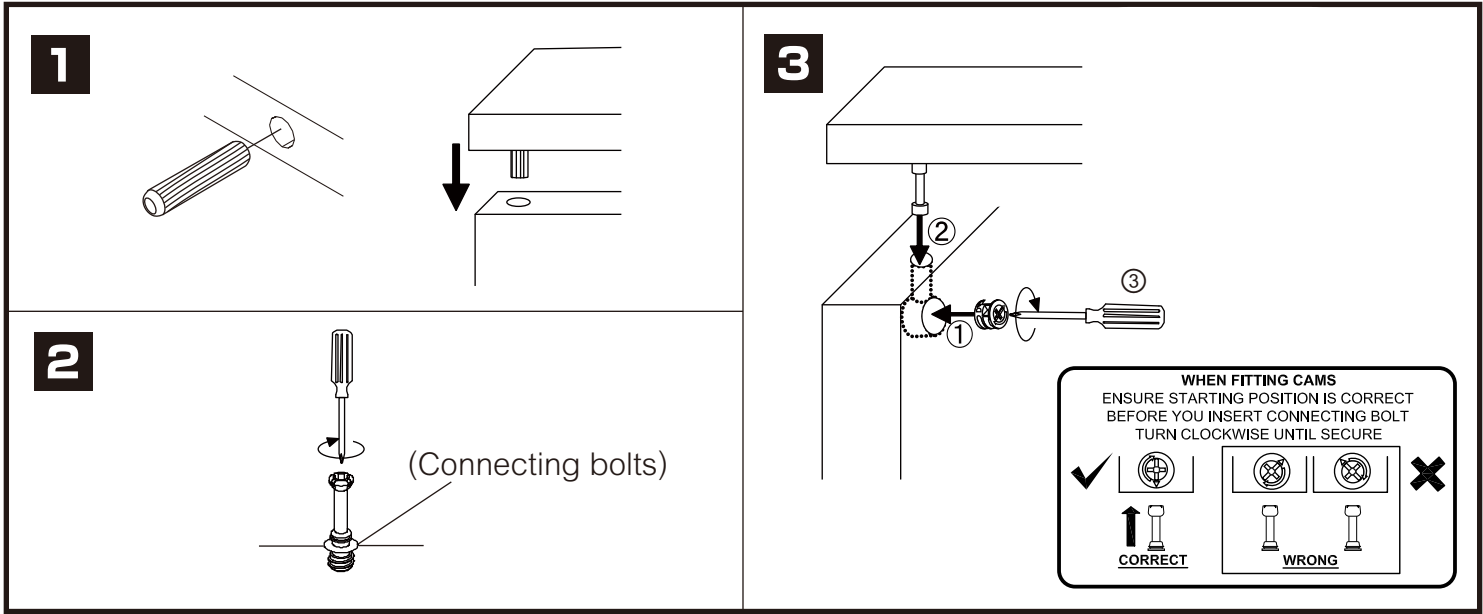


MARQUINA

5 Drawer 60cm.

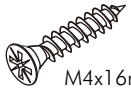
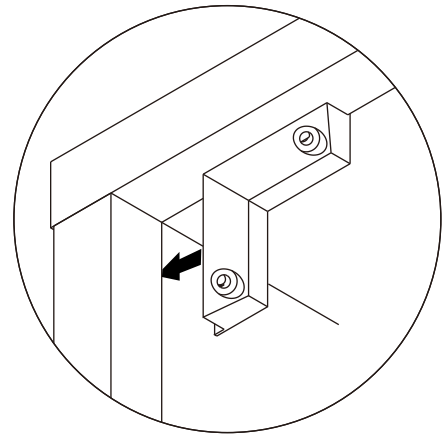
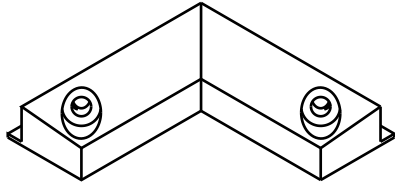


CONNECT SYSTEM

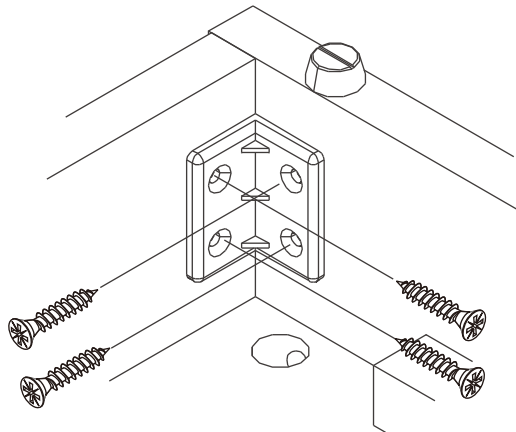
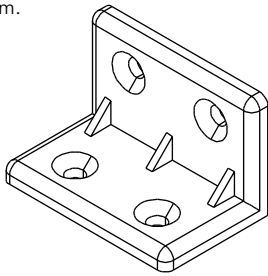


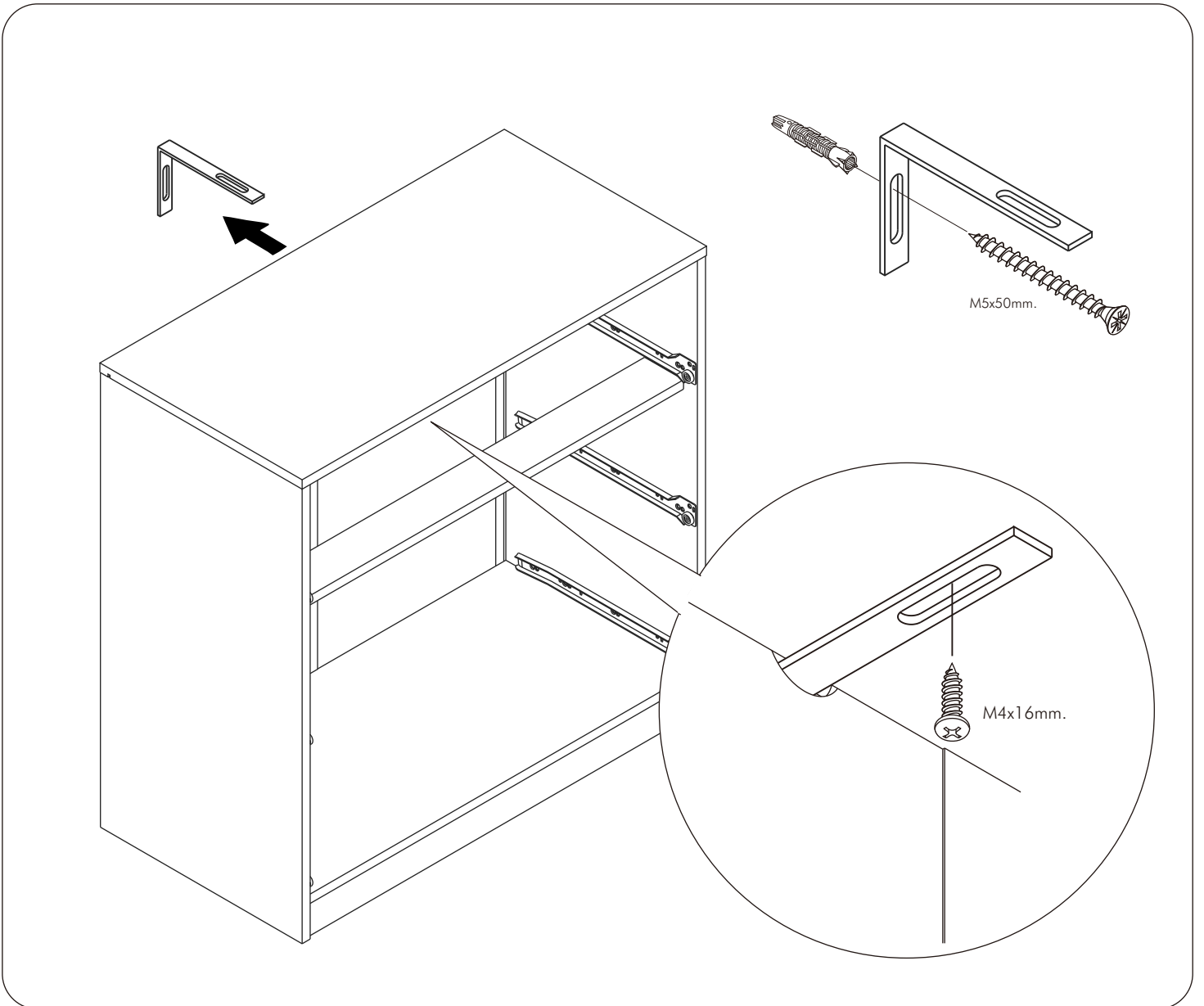
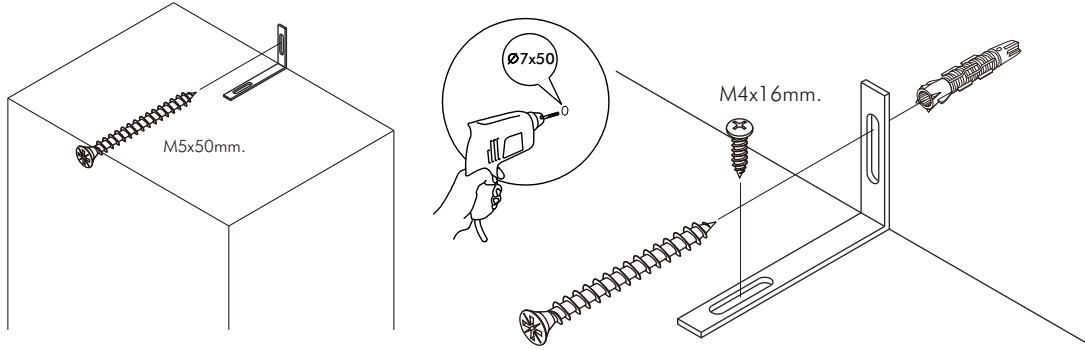
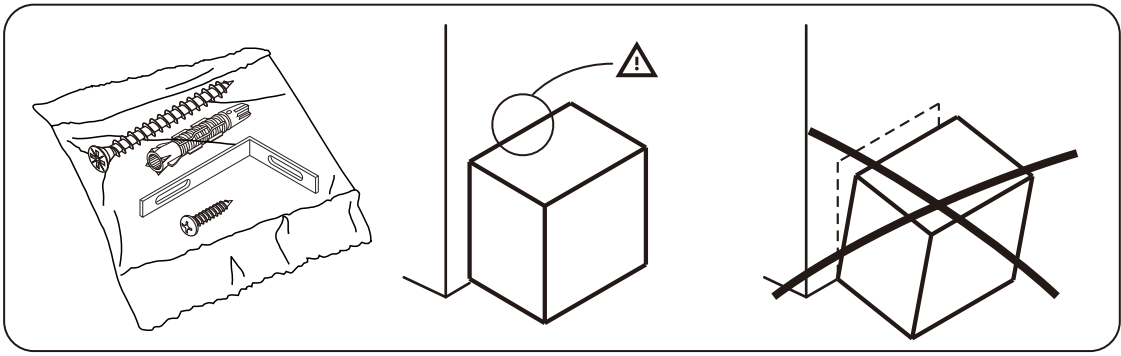


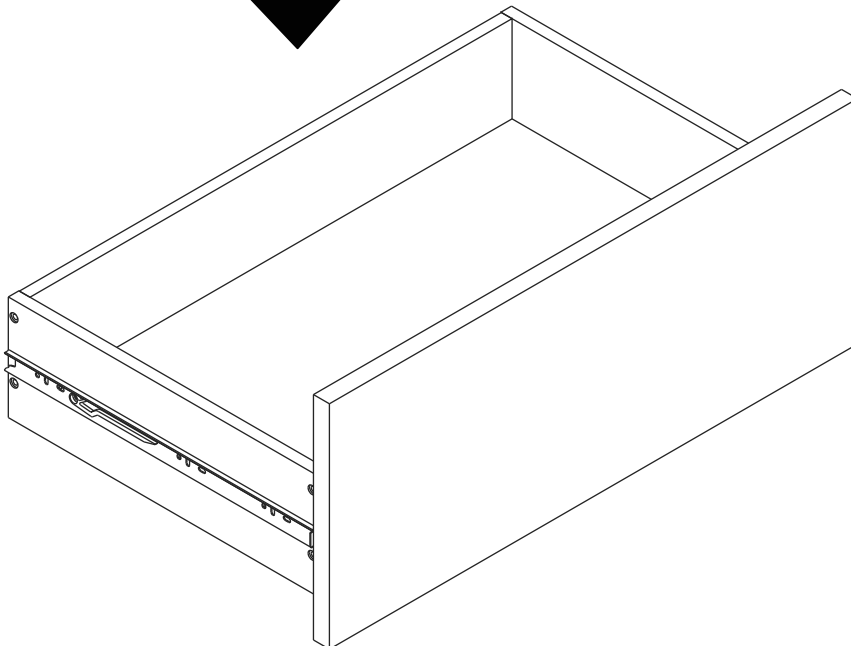
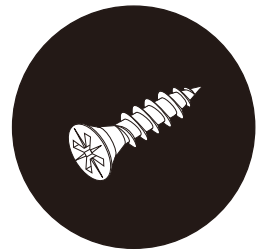
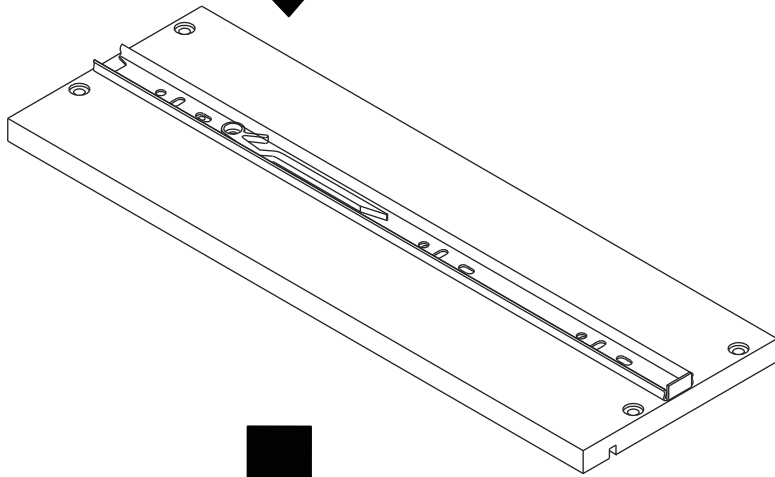
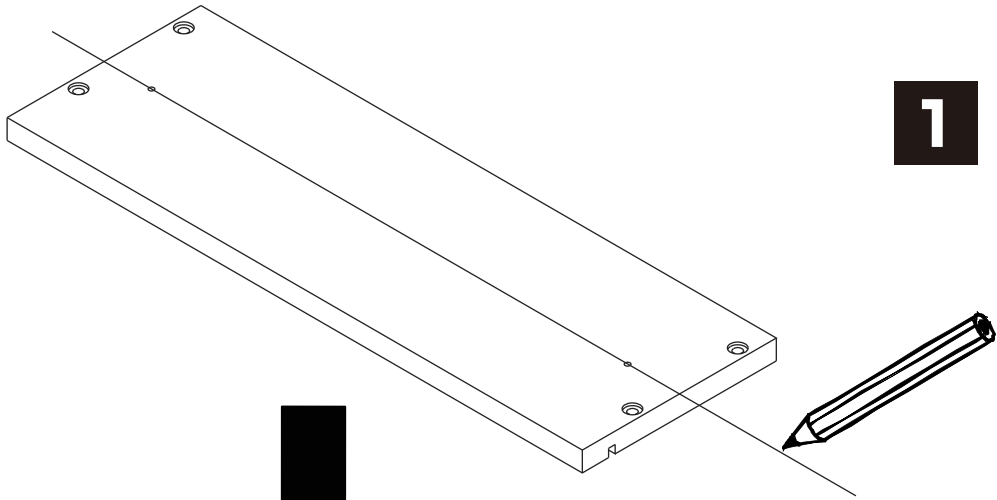
M3.5x20mm.



M4x16mm.

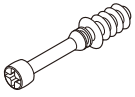






HARDWARE

-BODY SET



x 18



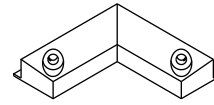
x 18

19mm.

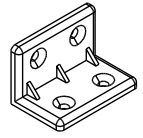


x 26

#8x35



x 2



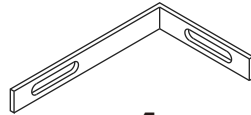
x 8



x 6



x 1



x 1



M4x16mm.

x 48



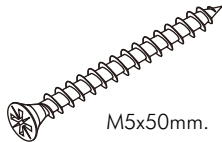
M3.5x20mm.

x 10



M4x45mm.

x 3



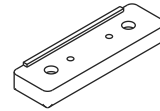
M5x50mm.

x 1



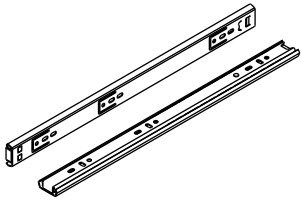
M4x16mm.

x 6



x 8

-DRAWER SET

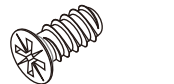


x 1



M3.5x13mm.

x 36



M5x10.5mm.

x 16



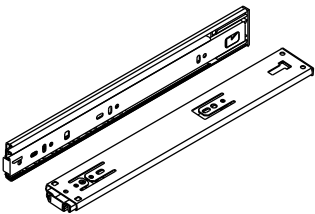
M4x40mm.

x 50



M6x23mm.

x 25

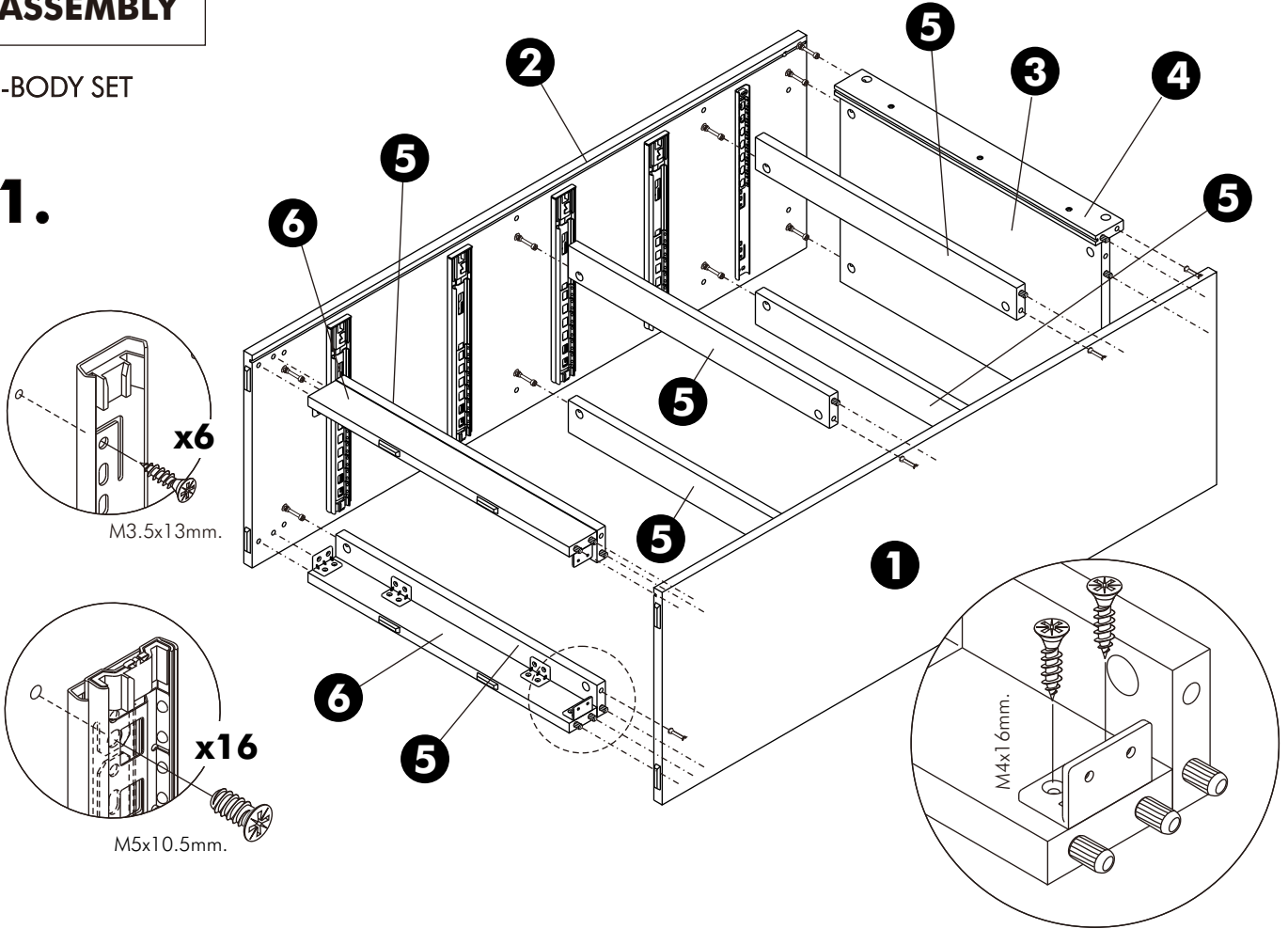


x 4

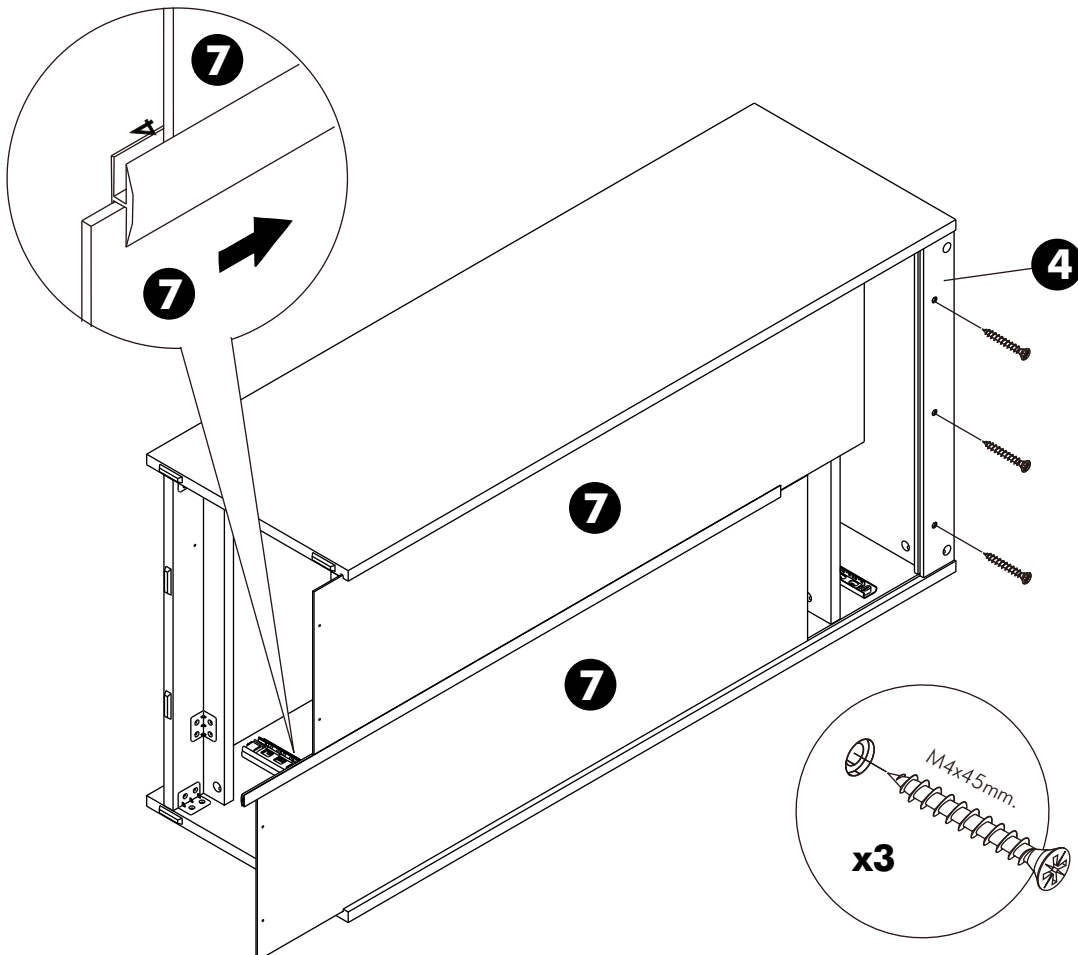
ASSEMBLY

-BODY SET

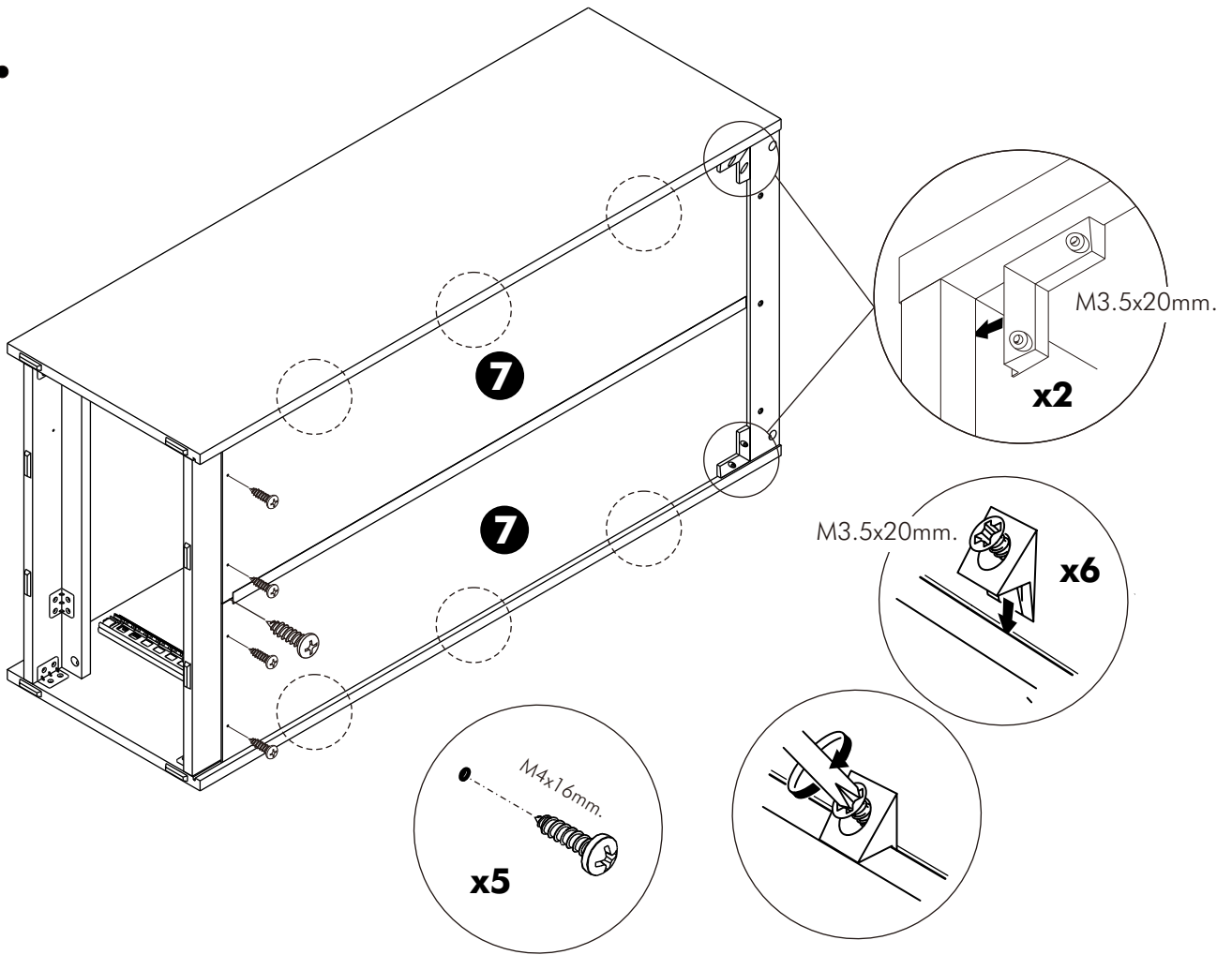
1.



2.

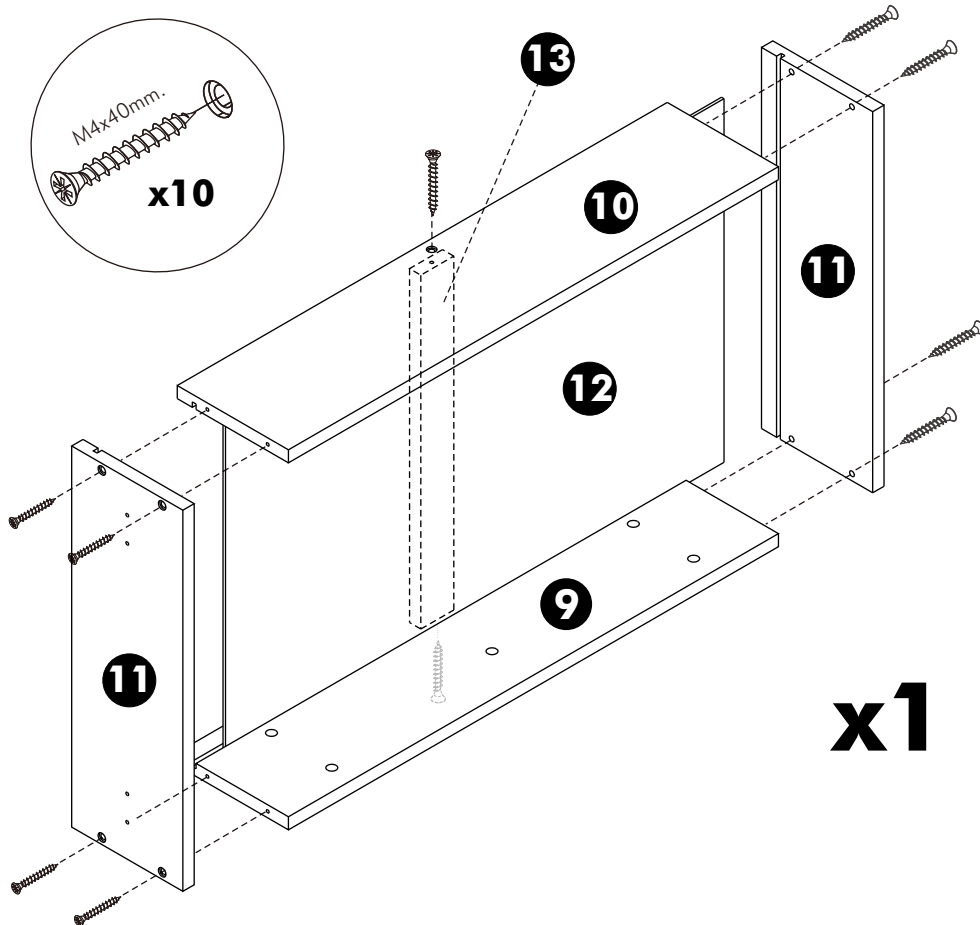


3.



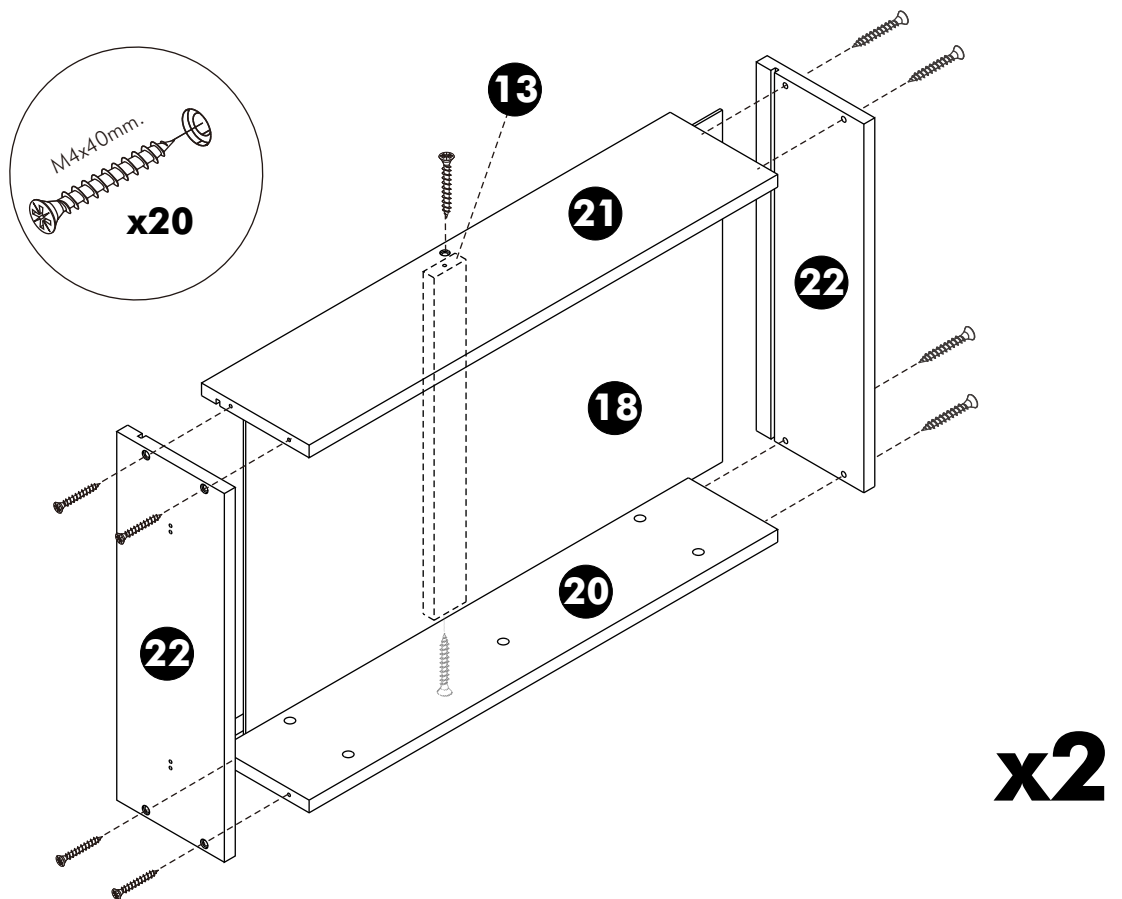
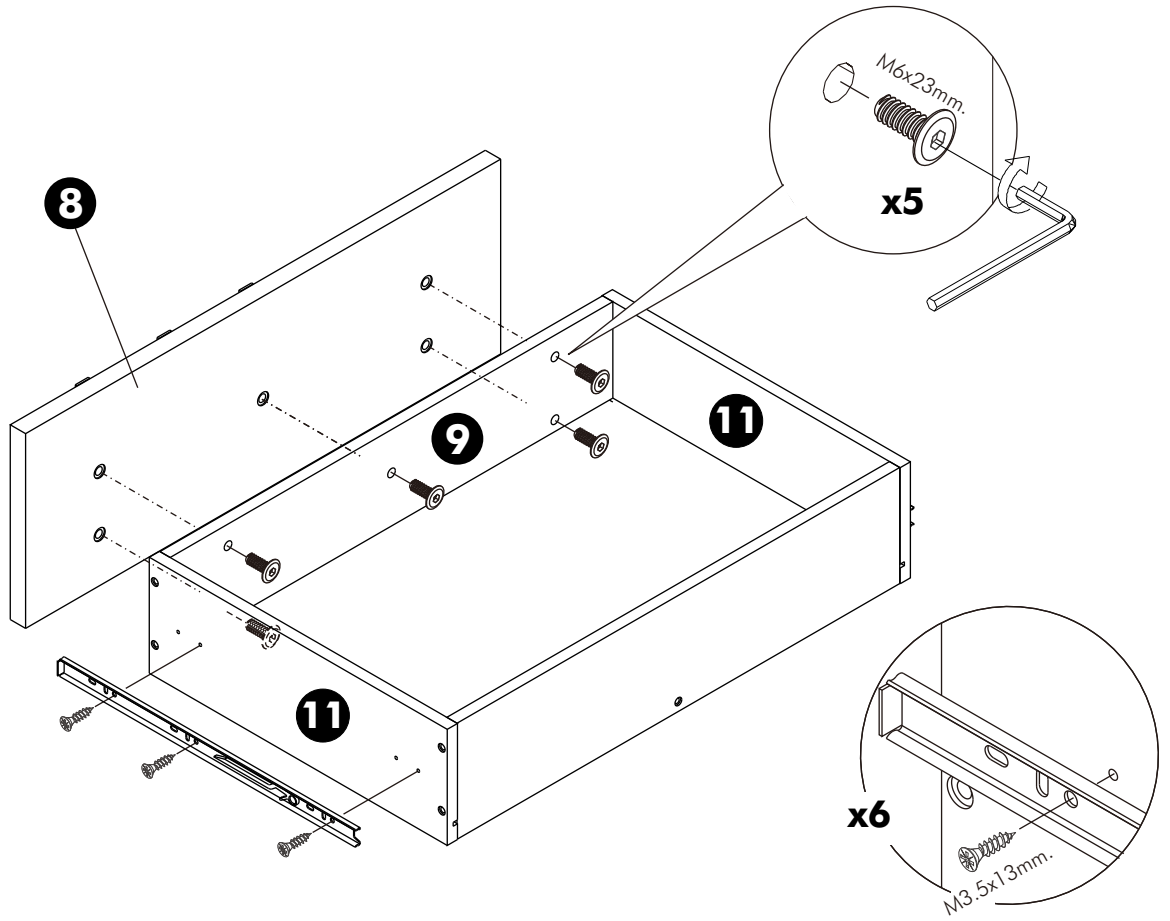
ASSEMBLY

-DRAWER SET



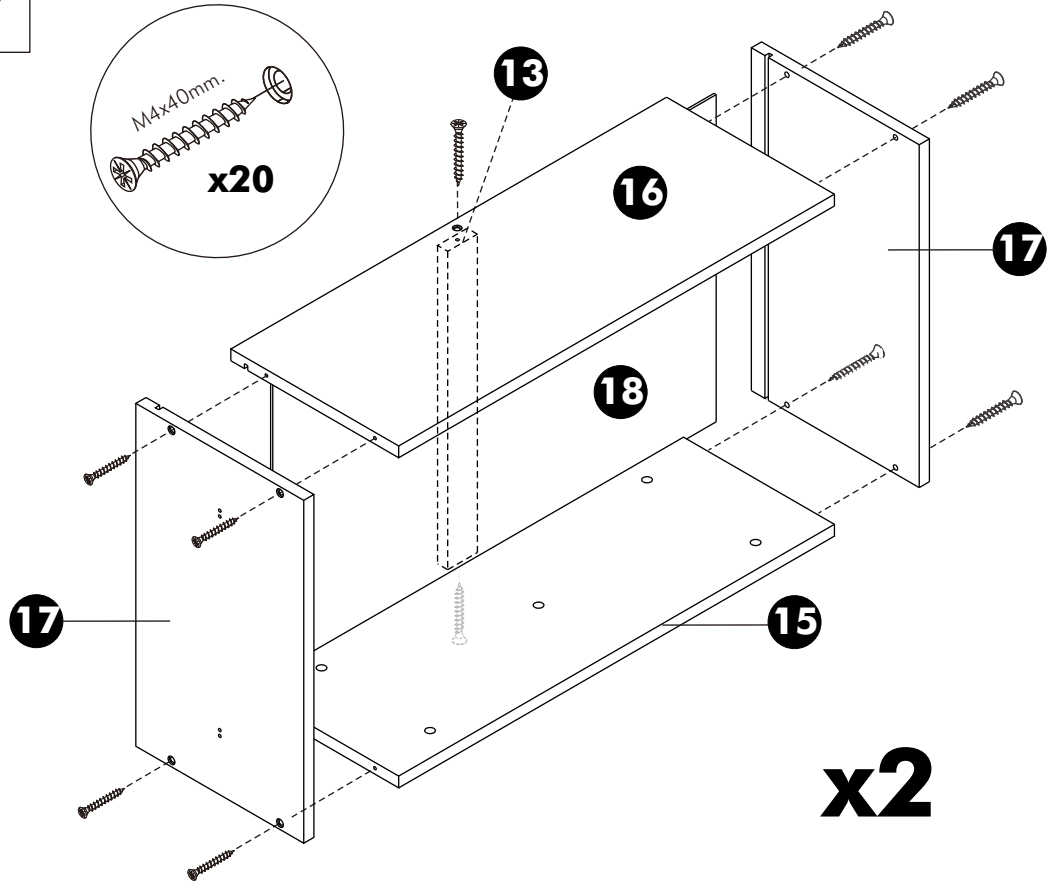
ASSEMBLY

-DRAWER SET



ASSEMBLY

-DRAWER SET



REMARK:

| | |
|----------|---------|
| Part.no. | "X" mm. |
| NO.19 | 89 mm. |
| NO.23 | 138 mm. |

