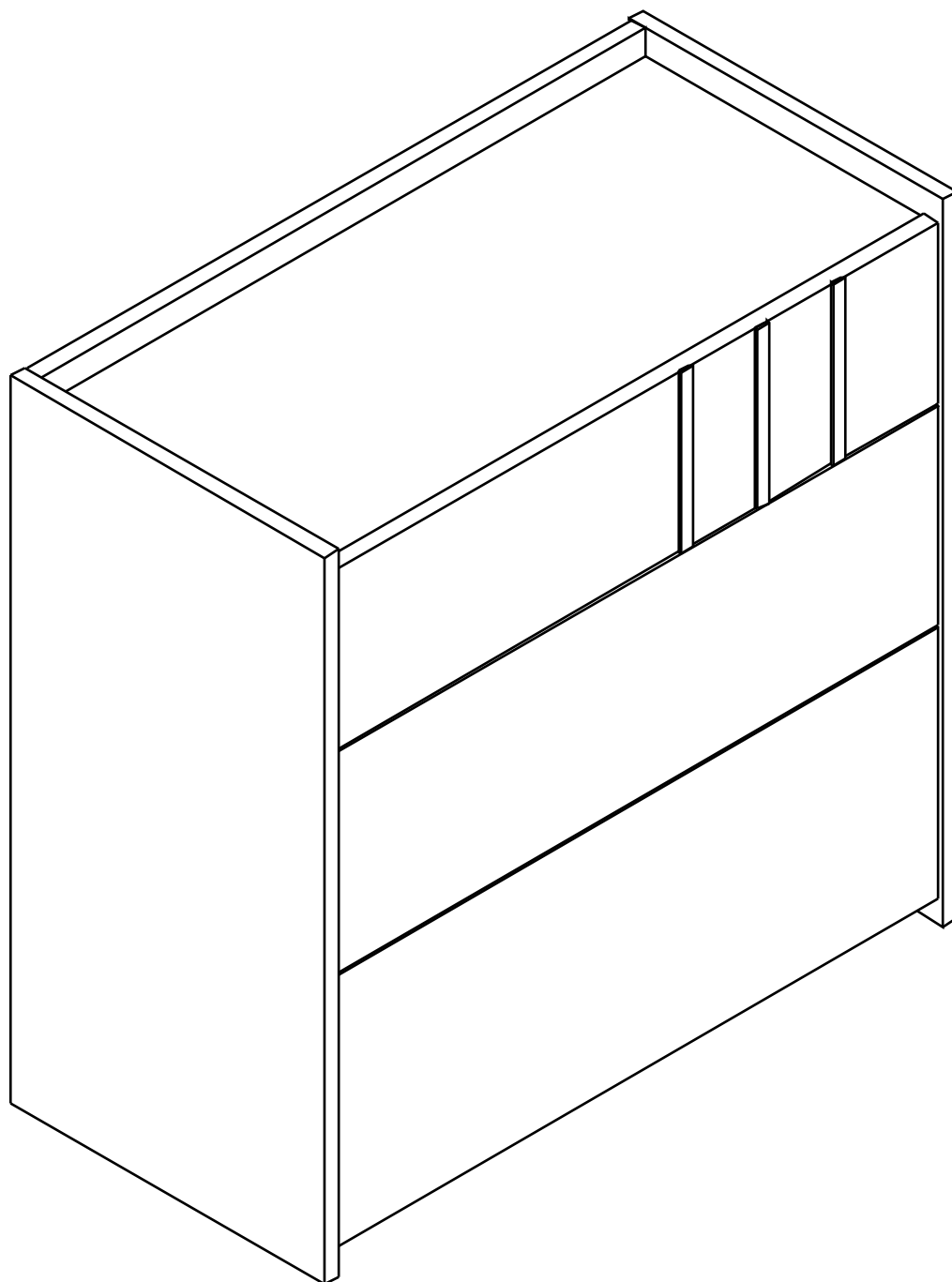
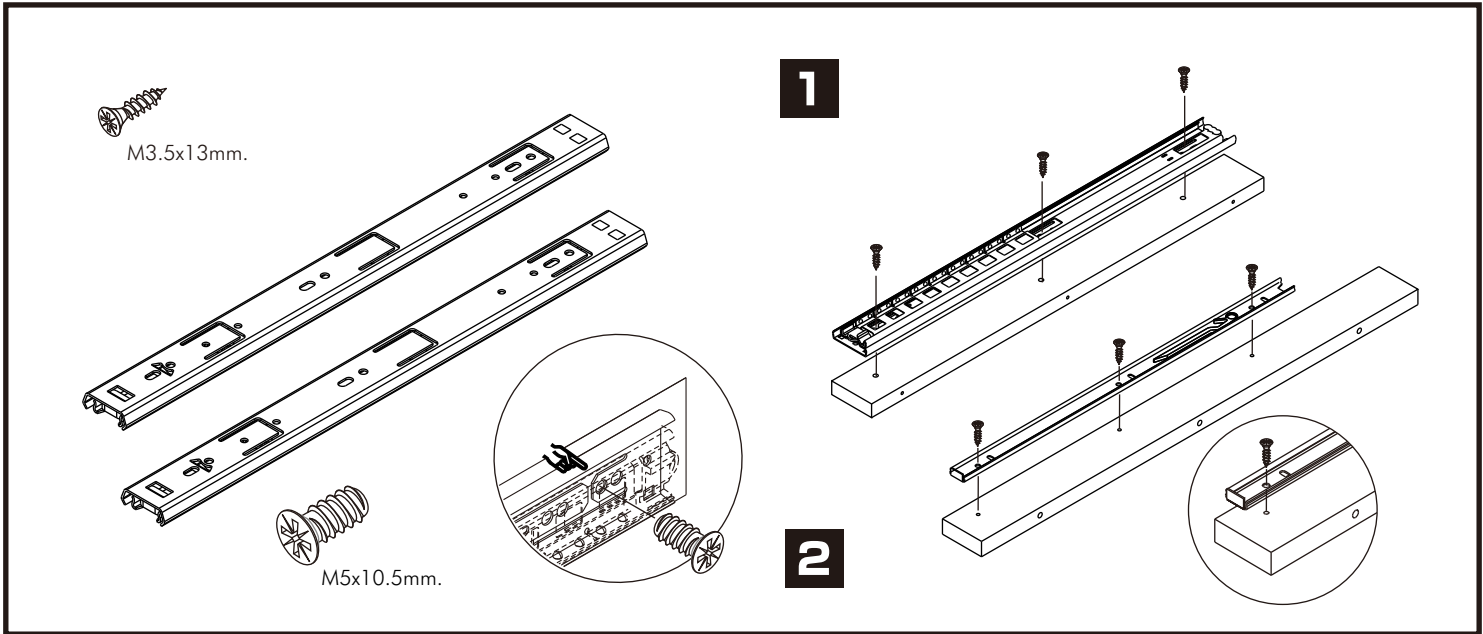
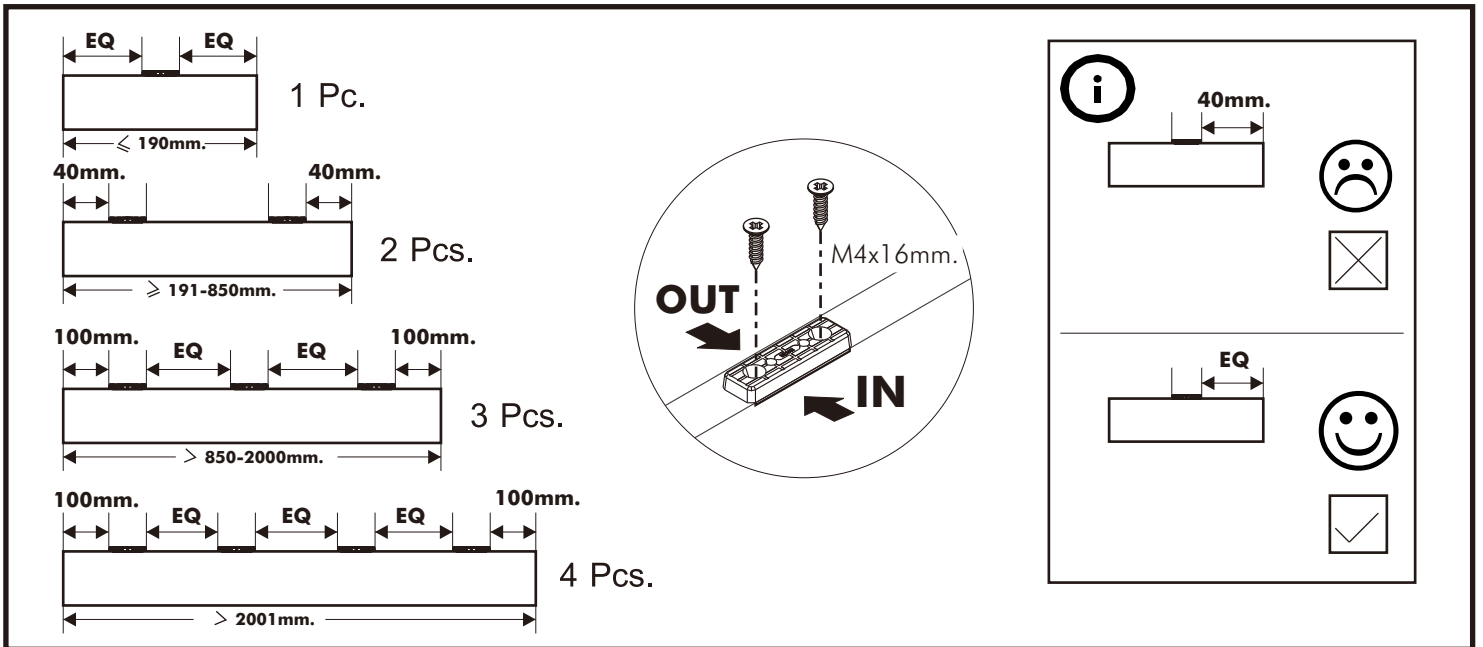
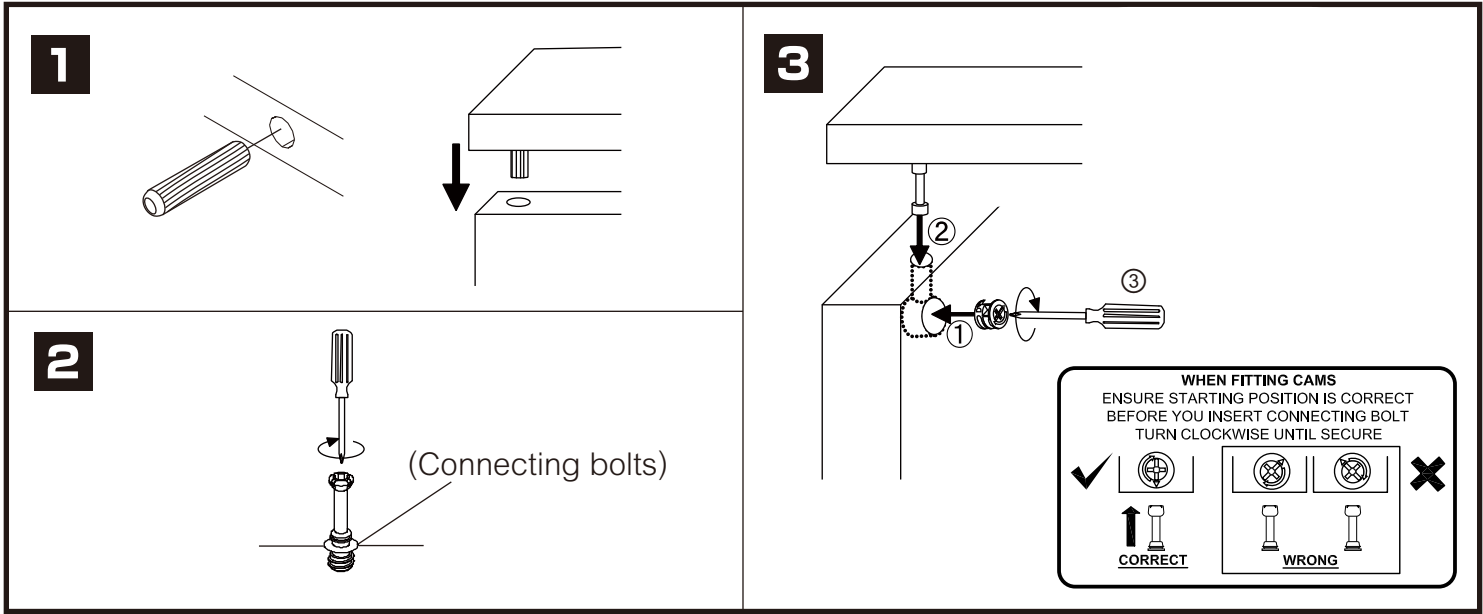


MARQUINA

3 Drawer 80cm.

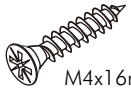
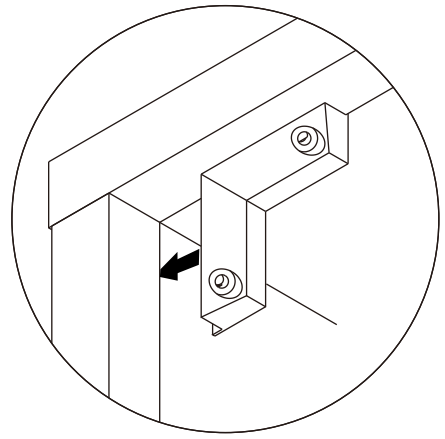
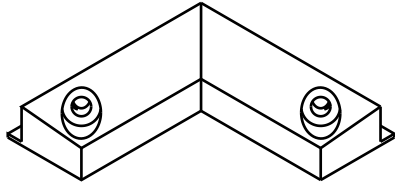


CONNECT SYSTEM

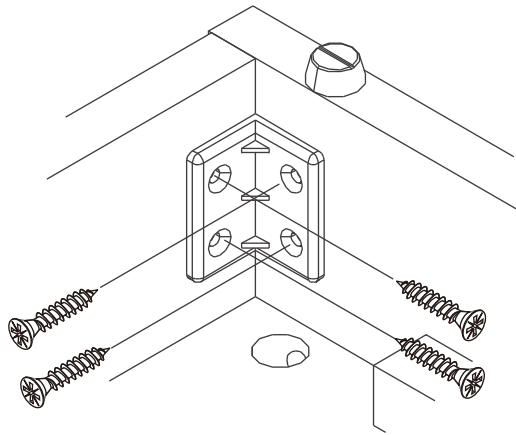
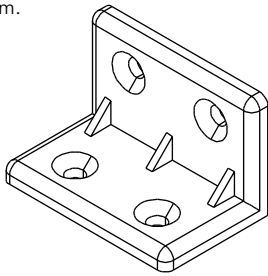


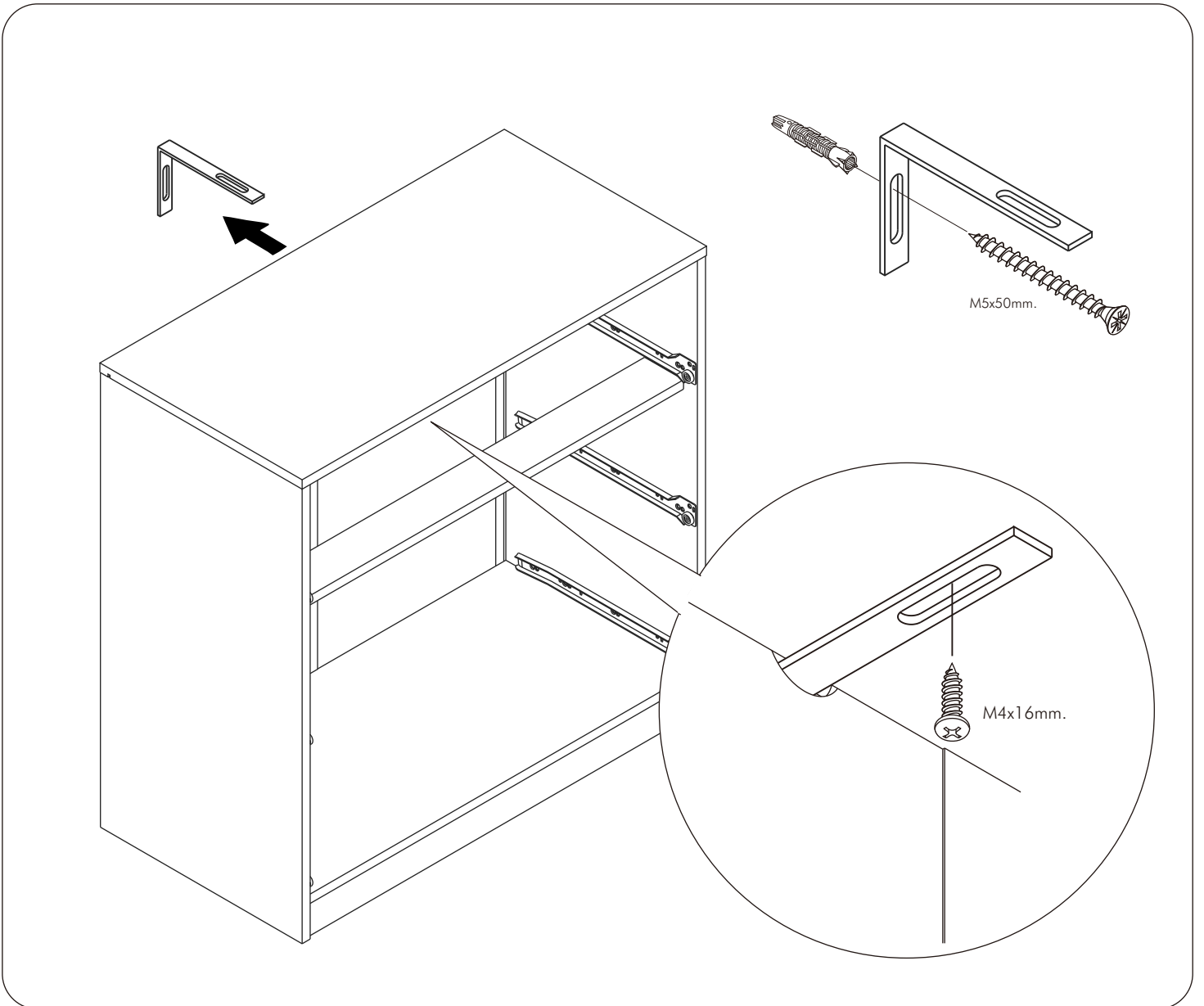
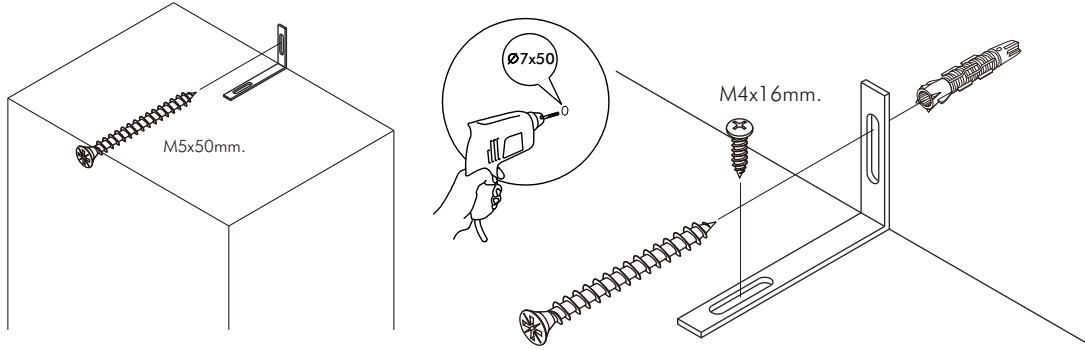
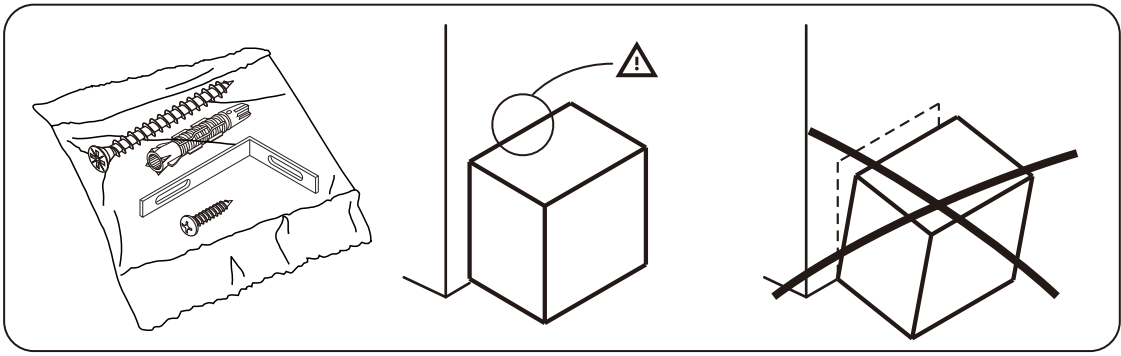


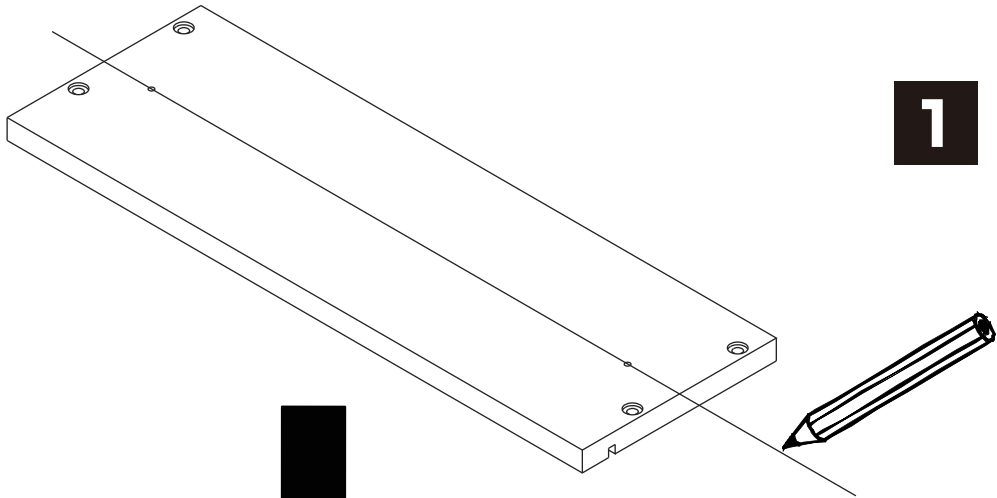
M3.5x20mm.



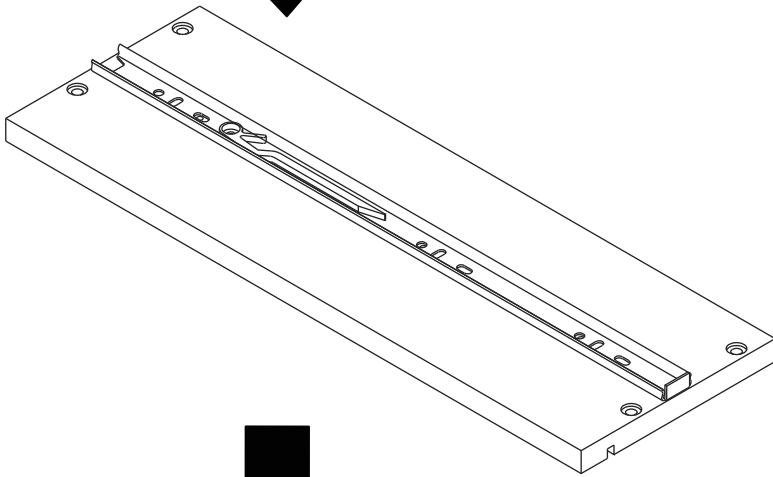
M4x16mm.



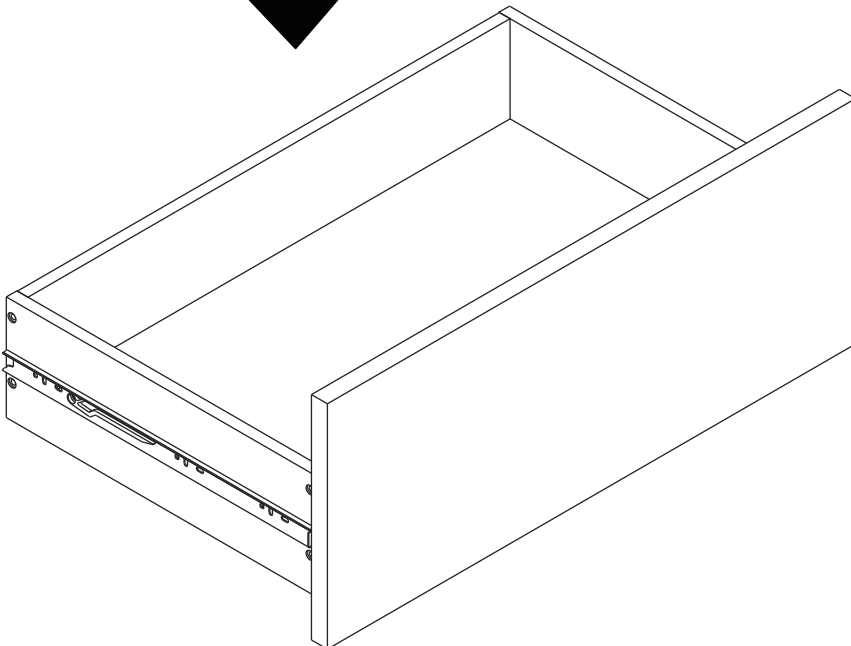
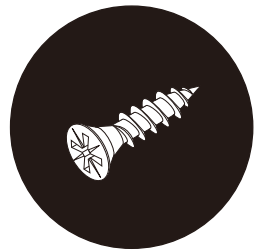




1

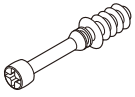


2



HARDWARE

-BODY SET

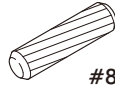


x 14



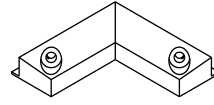
x 14

19mm.

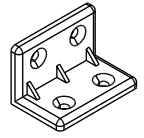


x 22

#8x35



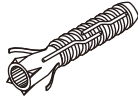
x 2



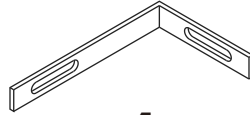
x 8



x 4



x 1



x 1



M4x16mm.

x 48



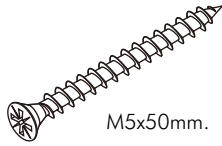
M3.5x20mm.

x 8



M4x45mm.

x 3



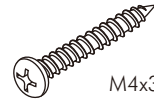
M5x50mm.

x 1



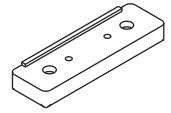
M4x16mm.

x 10



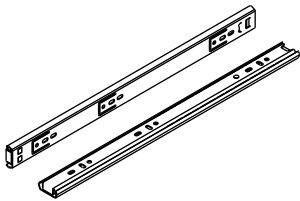
M4x30mm.

x 3



x 8

-DRAWER SET



x 1



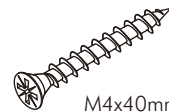
M3.5x13mm.

x 24



M5x10.5mm.

x 8



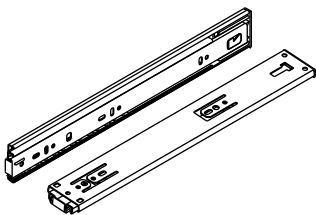
M4x40mm.

x 36



M6x23mm.

x 18

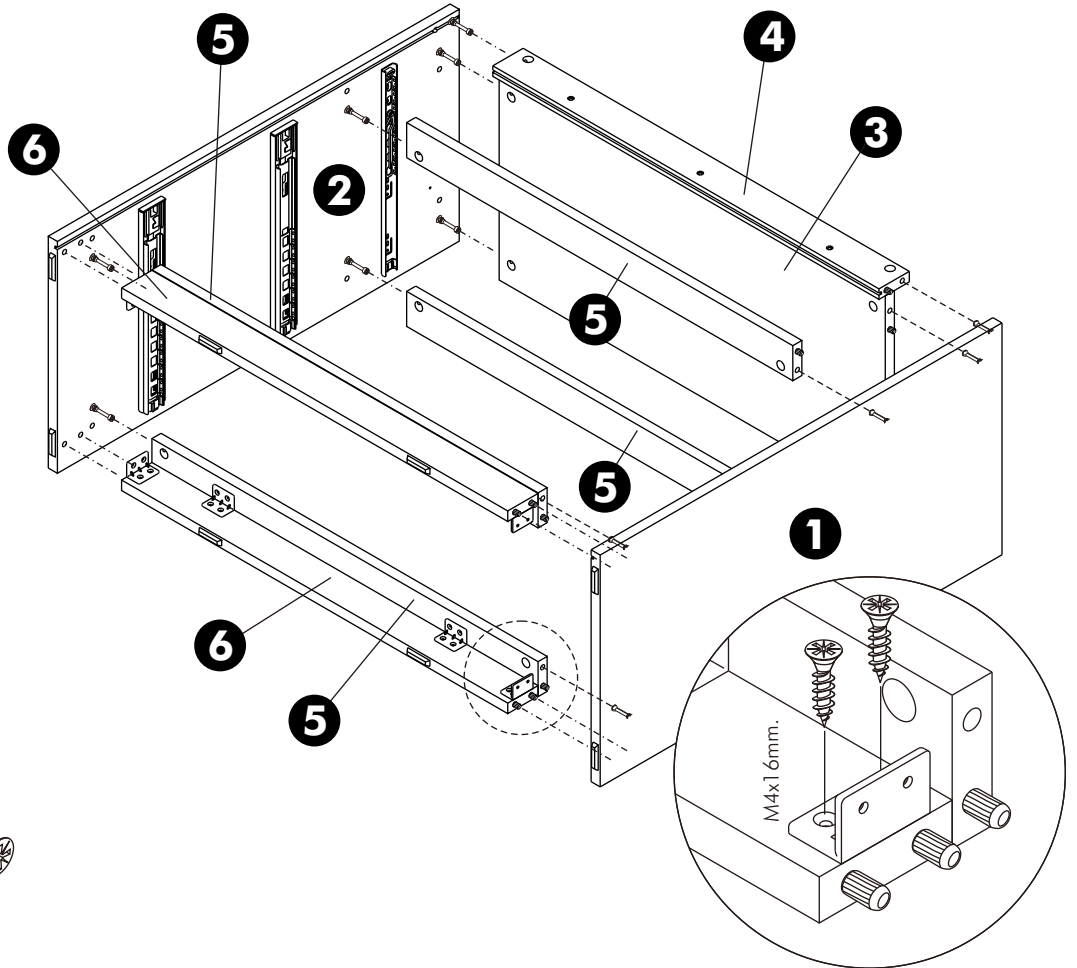
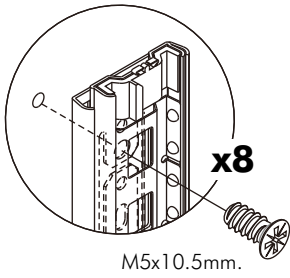
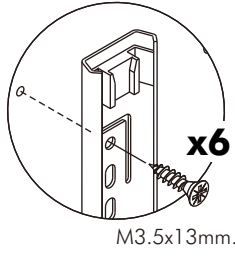


x 2

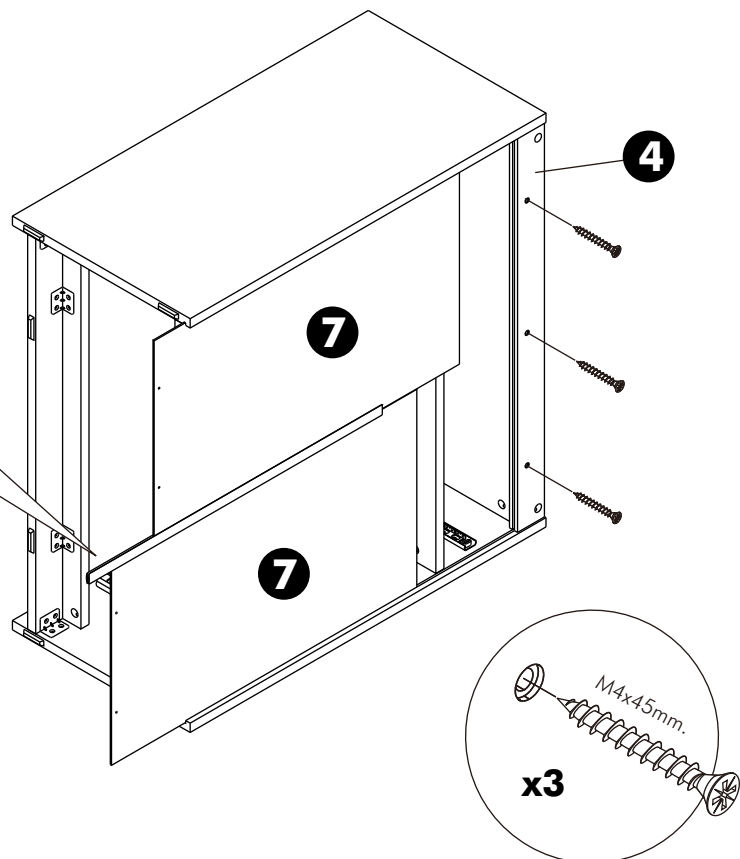
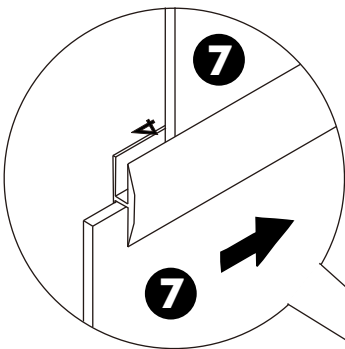
ASSEMBLY

-BODY SET

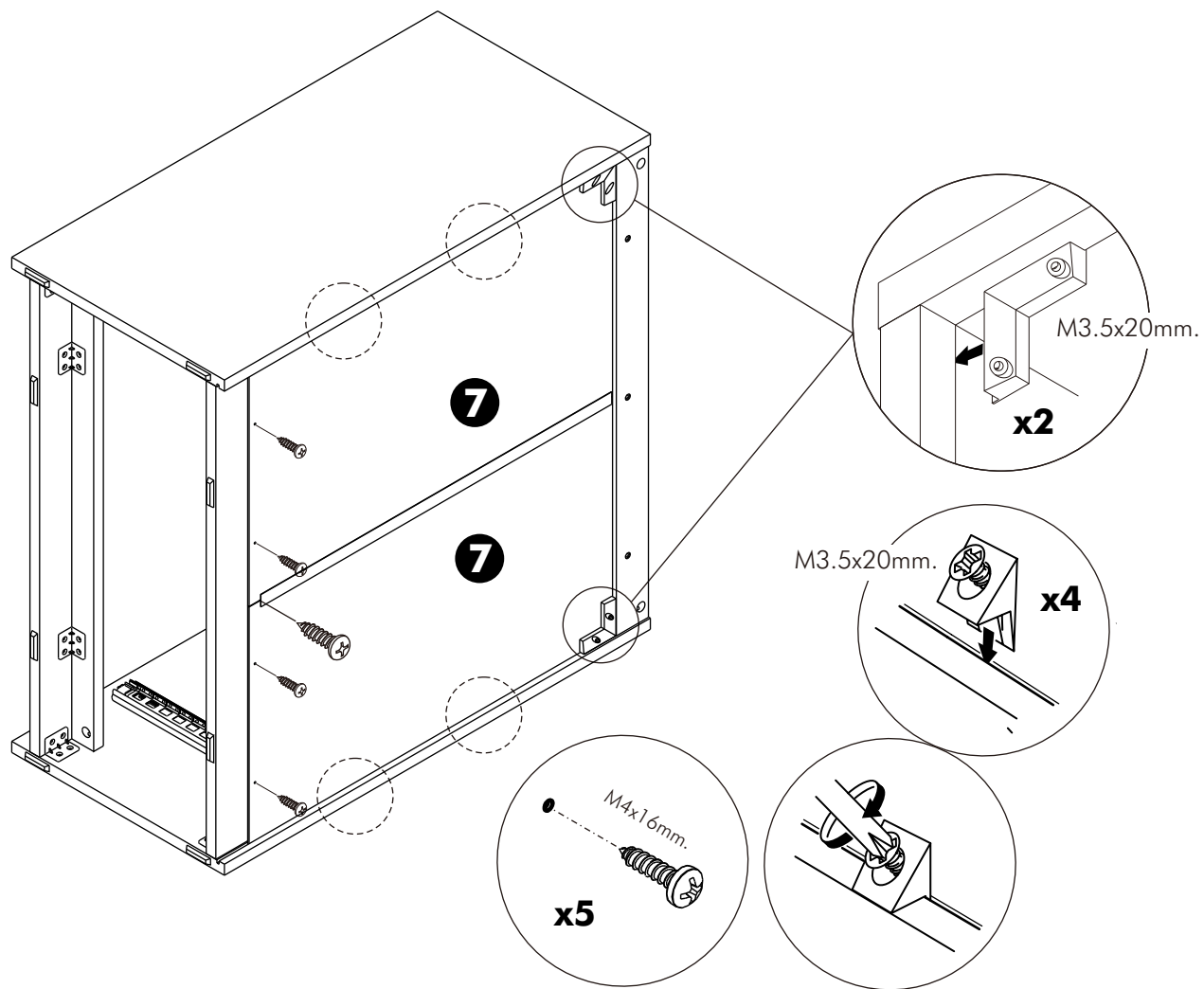
1.



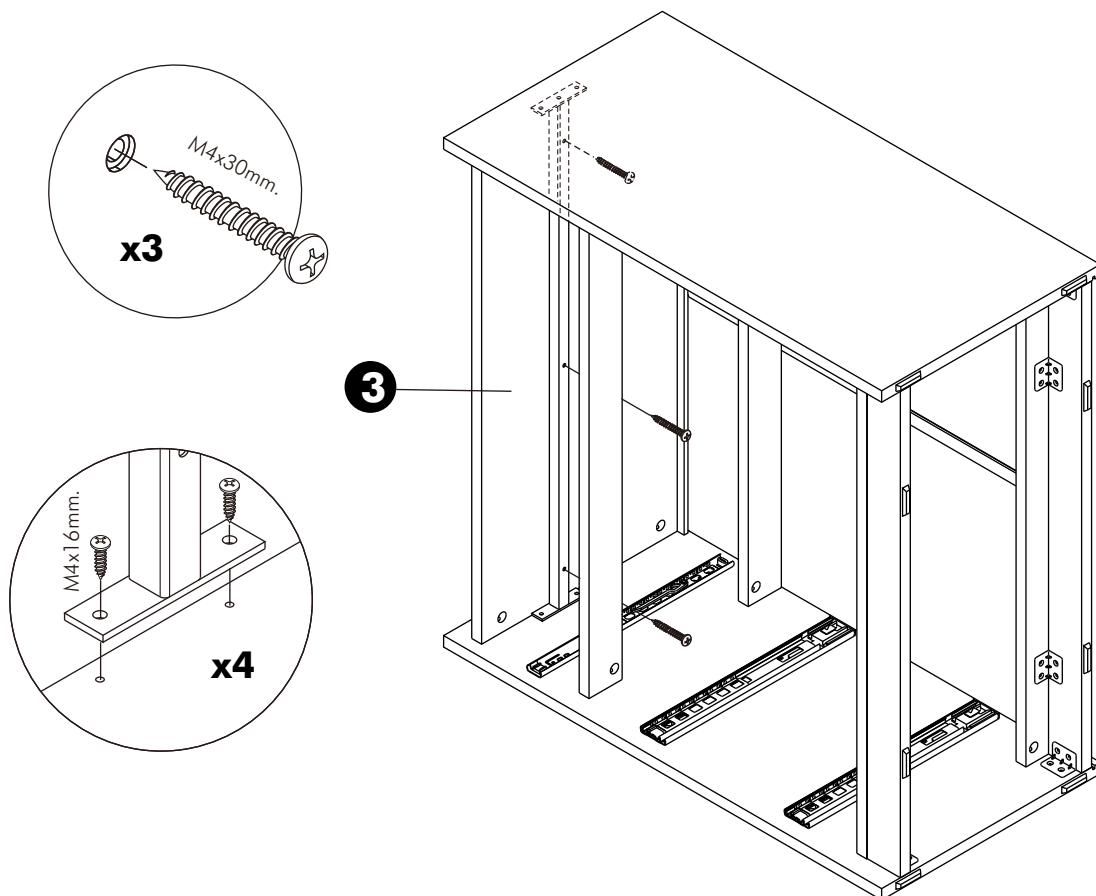
2.



3.

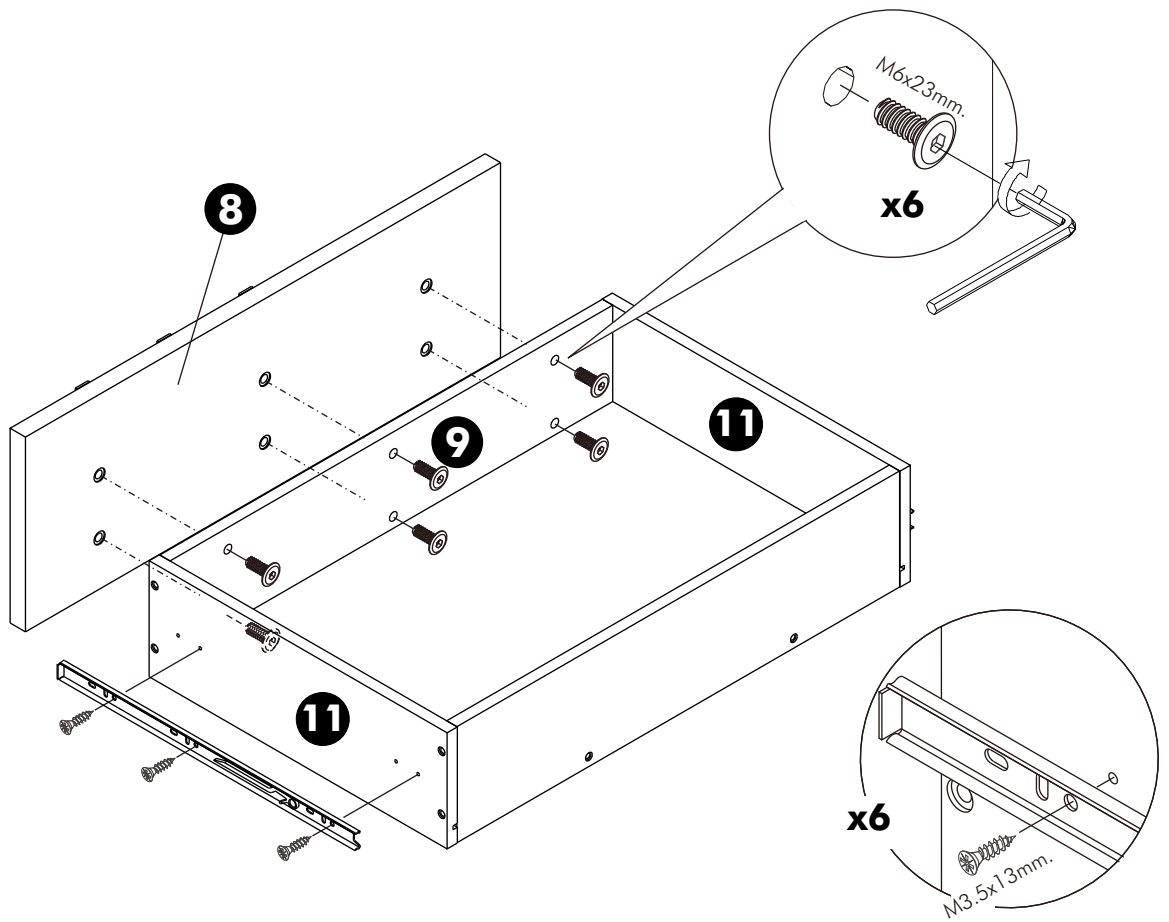
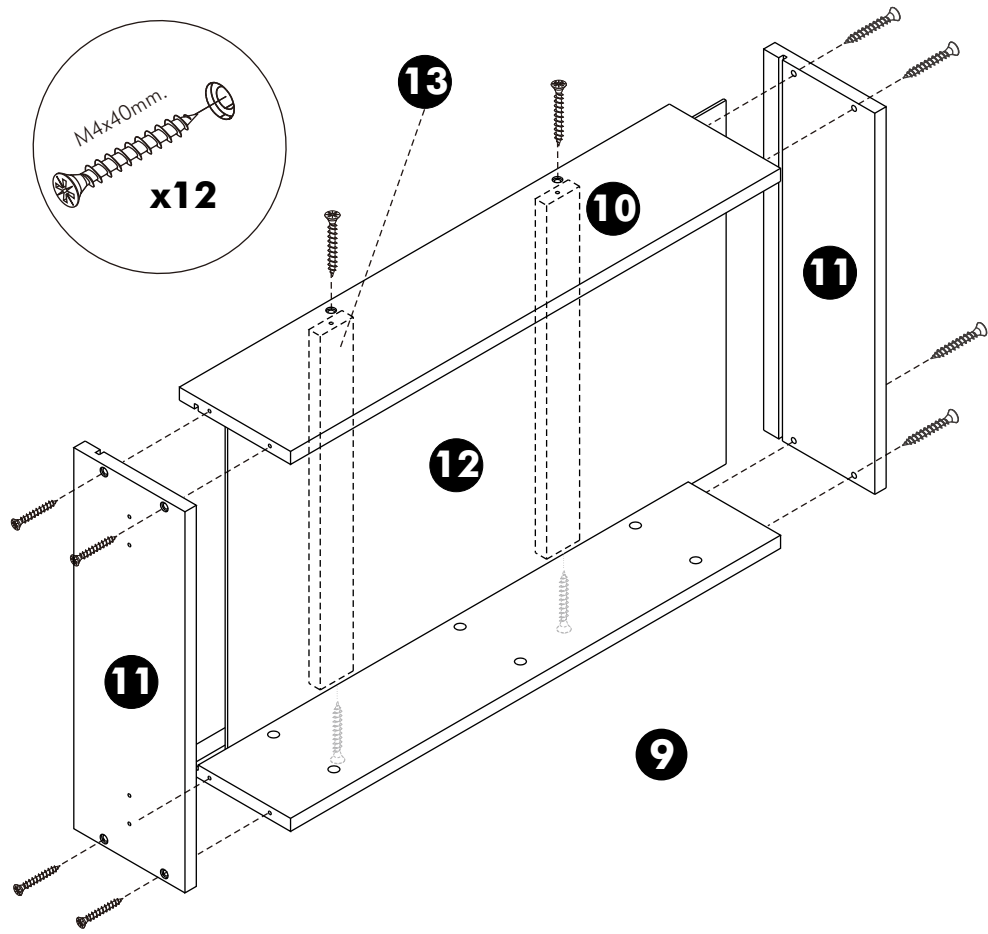


4.



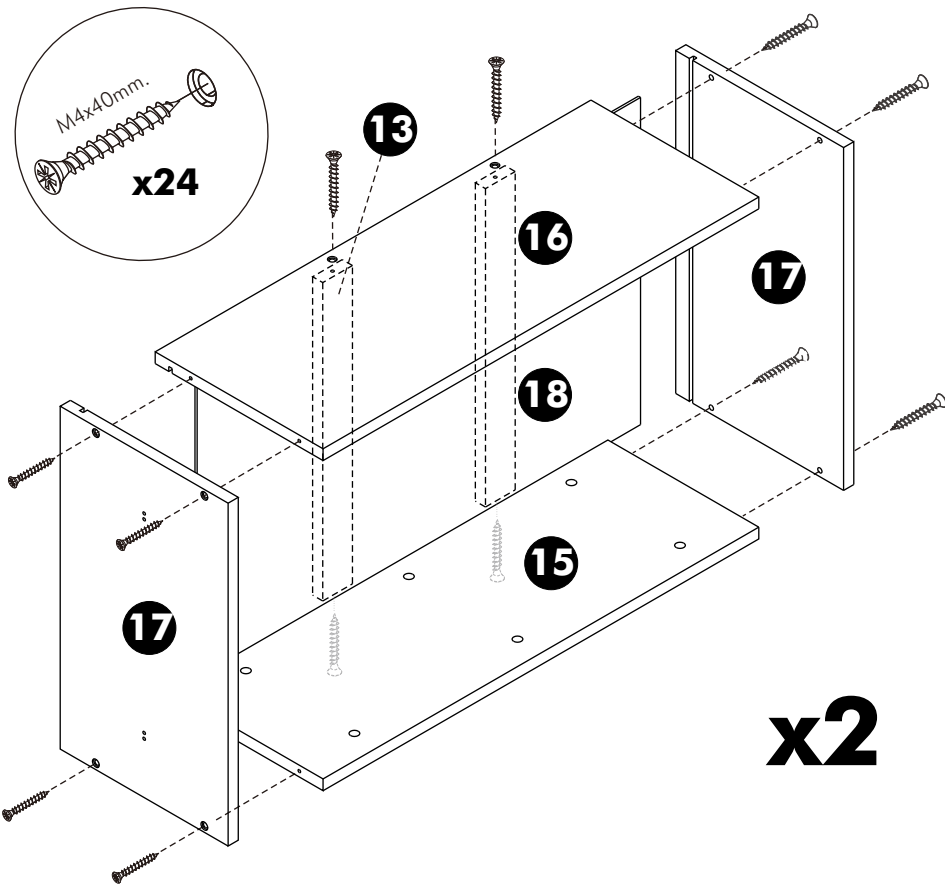
ASSEMBLY

-DRAWER SET



ASSEMBLY

-DRAWER SET



x2

REMARK:

Part.no.	"X" mm.
NO.14	56 mm.
NO.19	74 mm.

