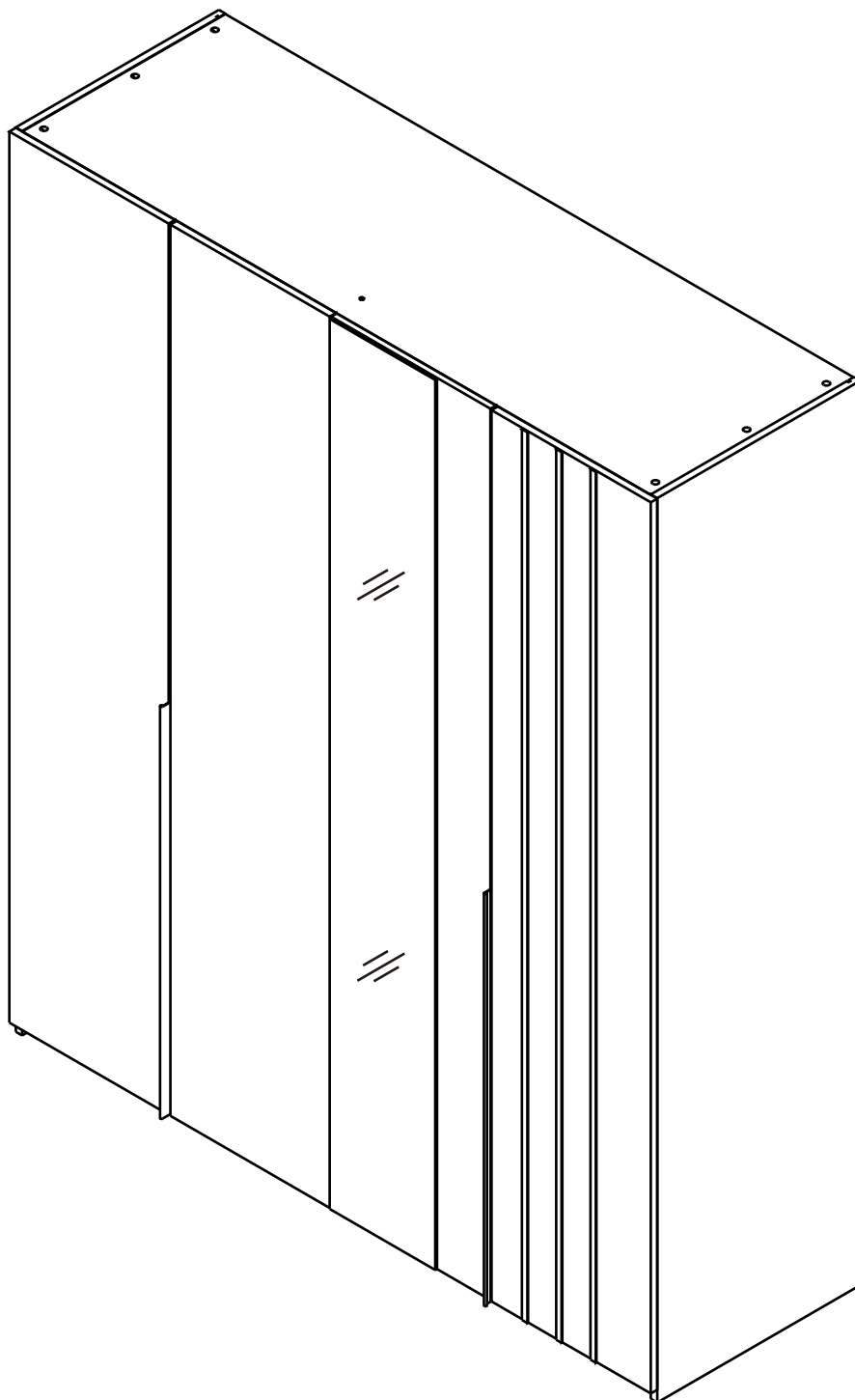
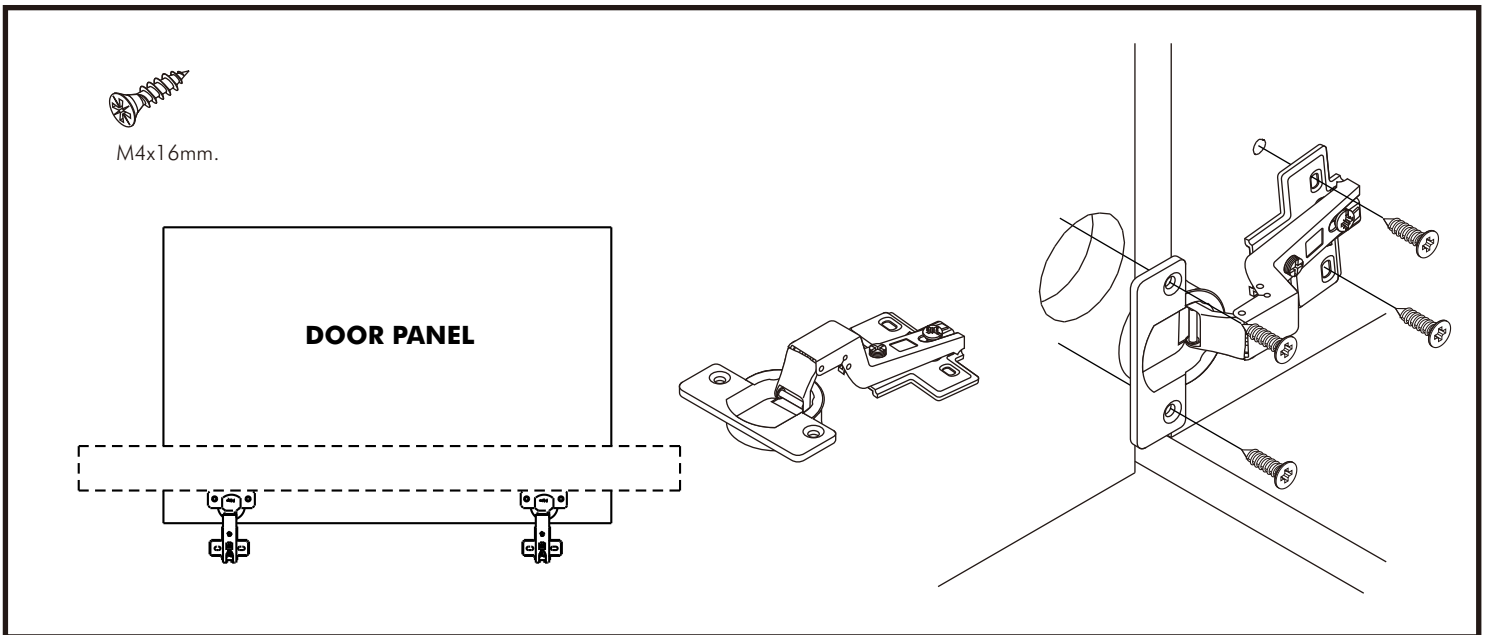
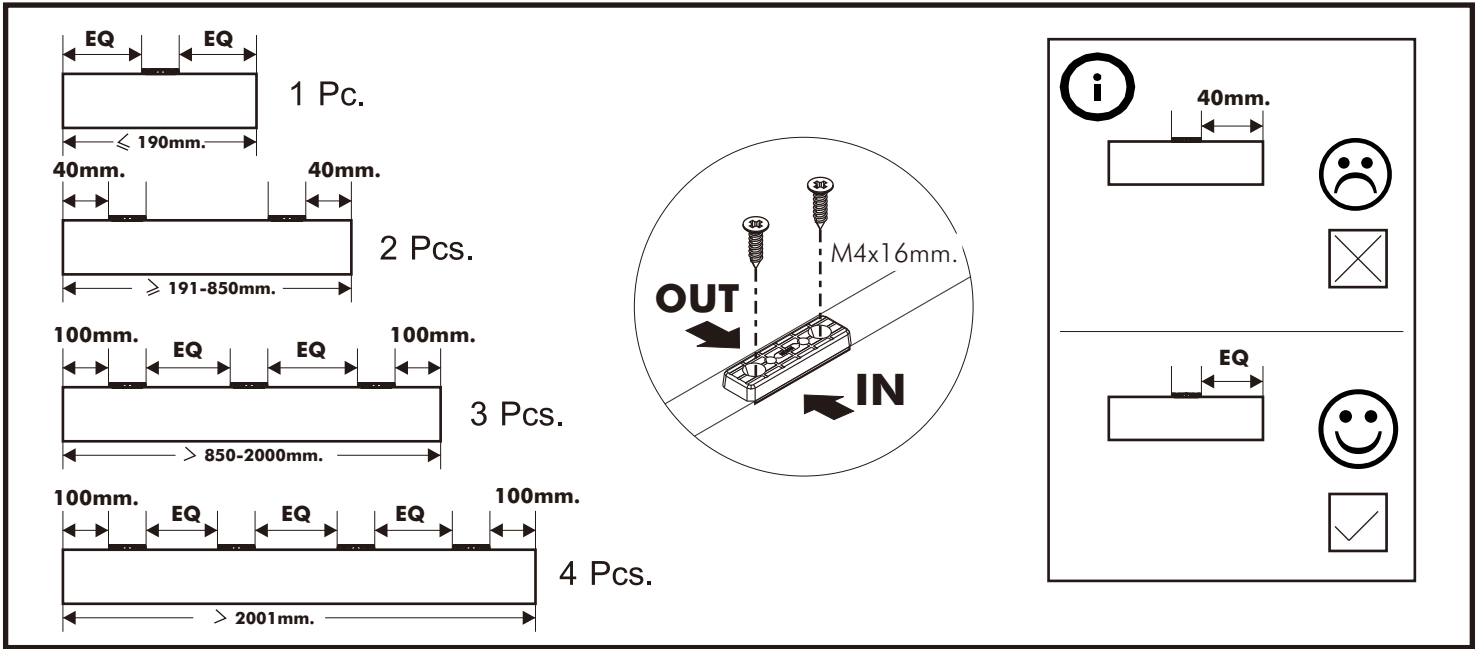
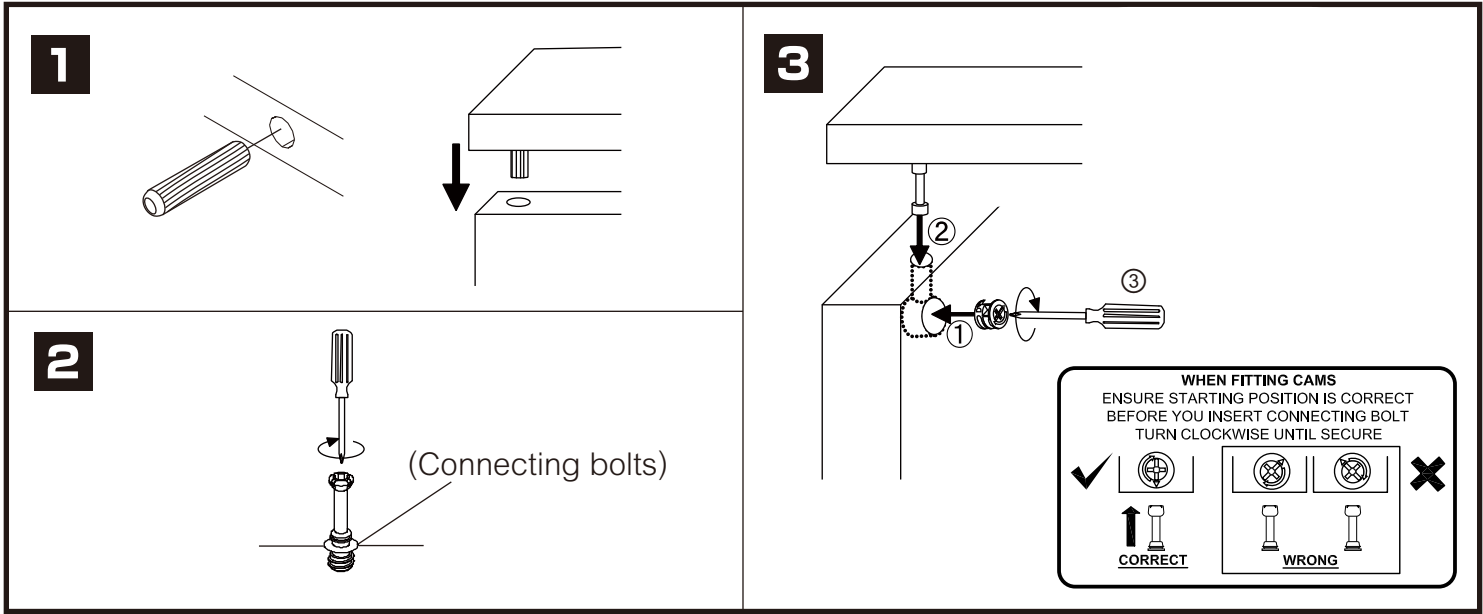


MARQUINA

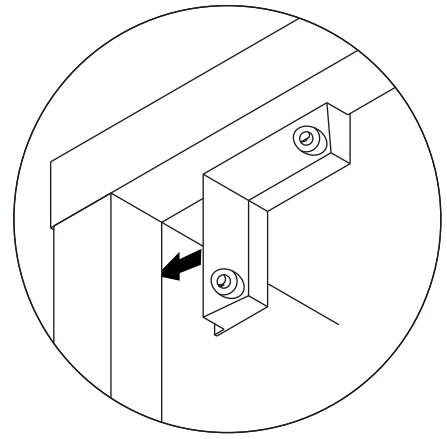
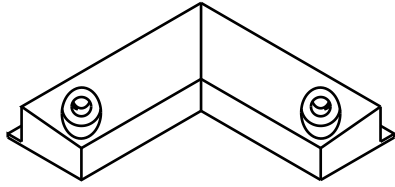
4Door Wardrobe 180 cm.



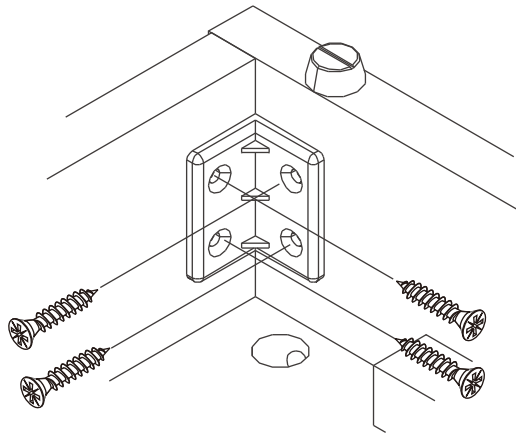
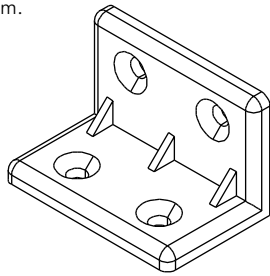
CONNECT SYSTEM



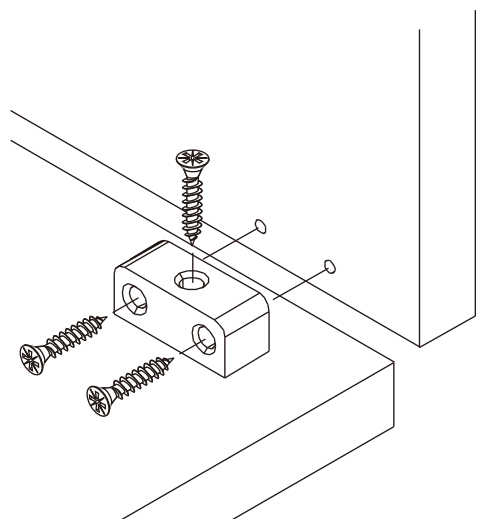
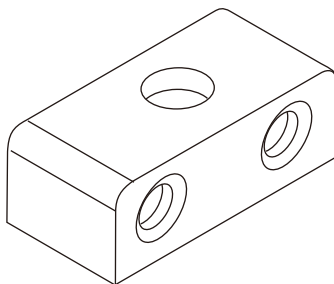
M3.5x20mm.



M4x16mm.

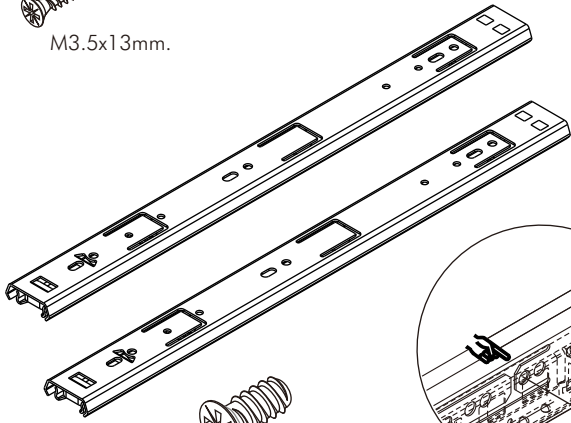


M4x25mm.

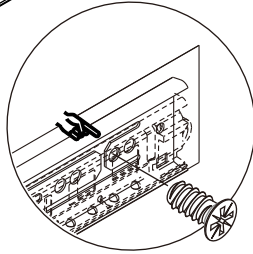




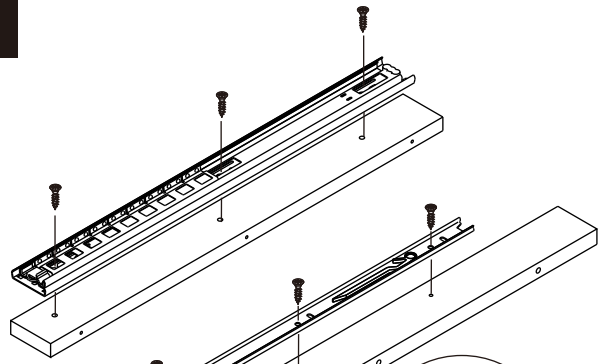
M3.5x13mm.



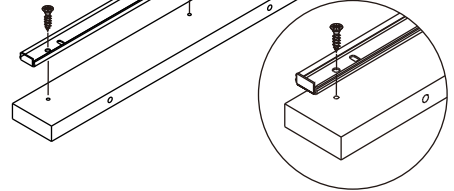
M5x10.5mm.



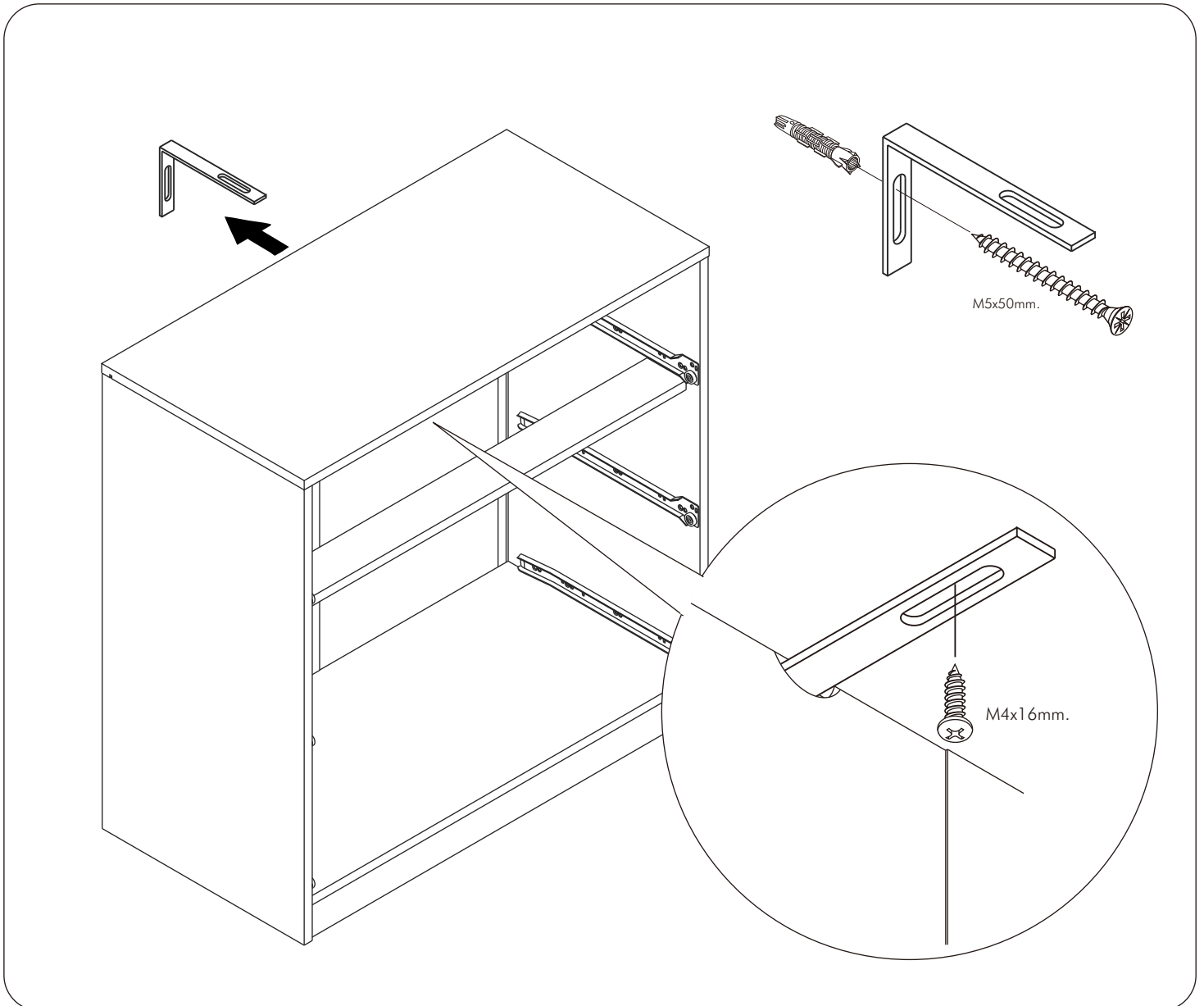
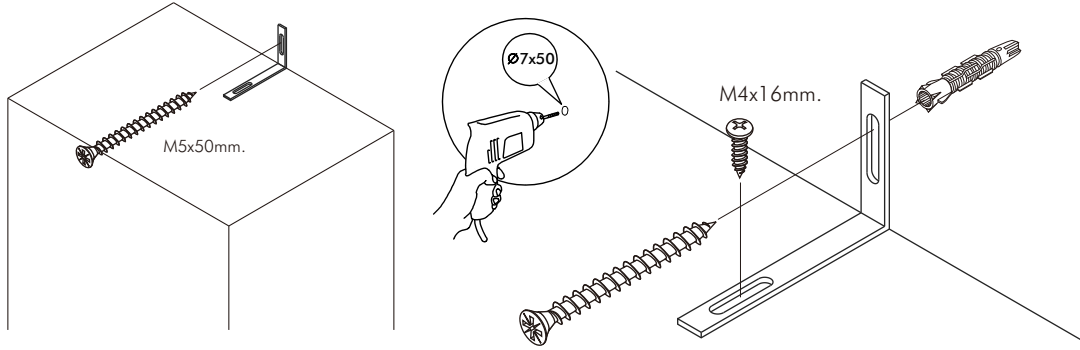
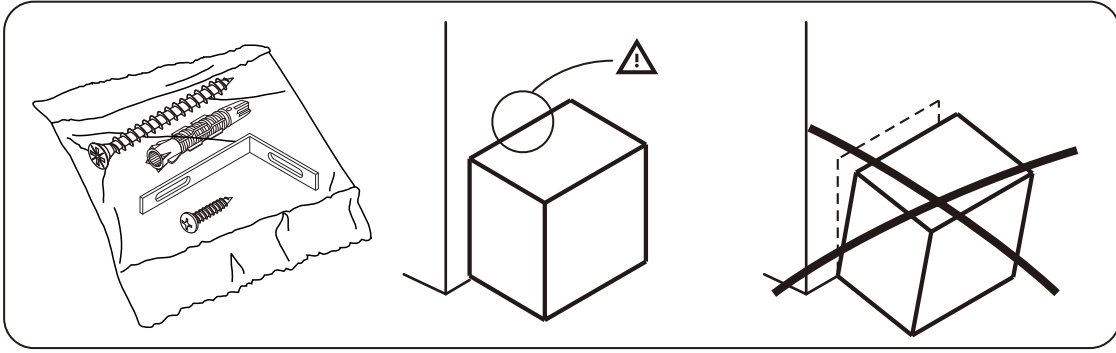
1



2

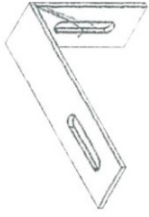


x2

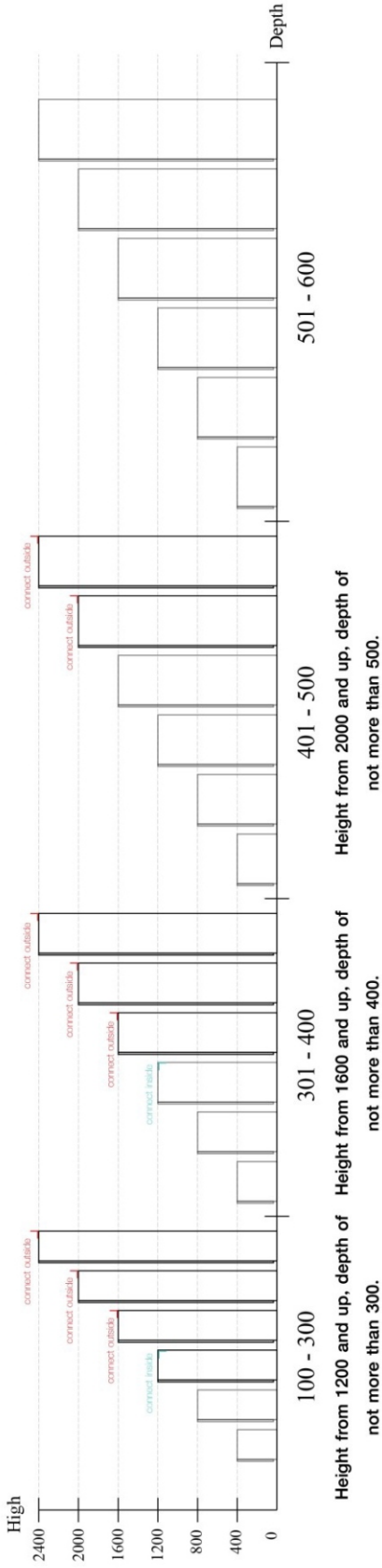


The Standard for identifying which mounted safety fall protection fitting to use **Note : That children's products must be installed with all anti-falling fittings.**

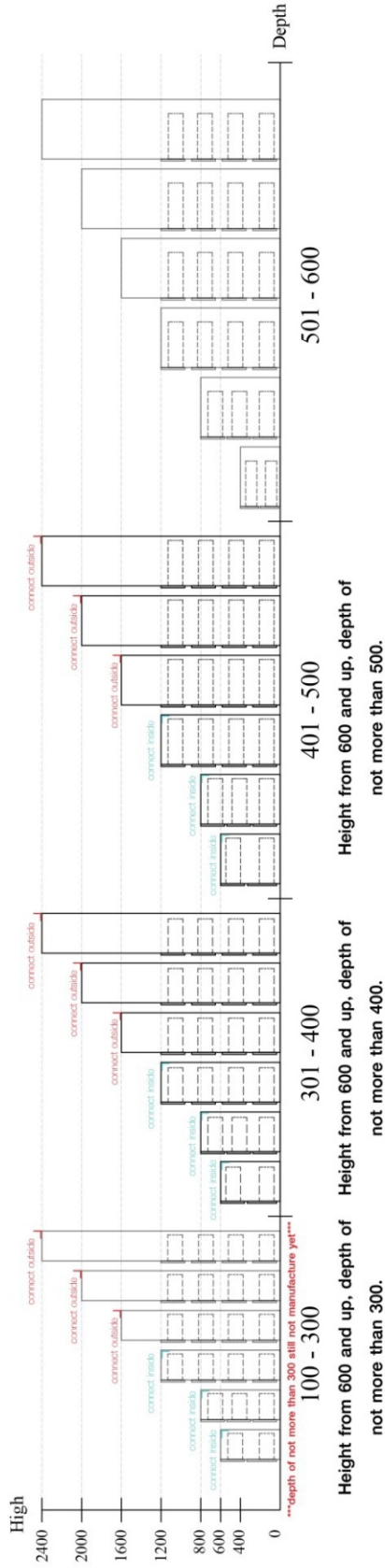
■ Mounted fall protection fittings



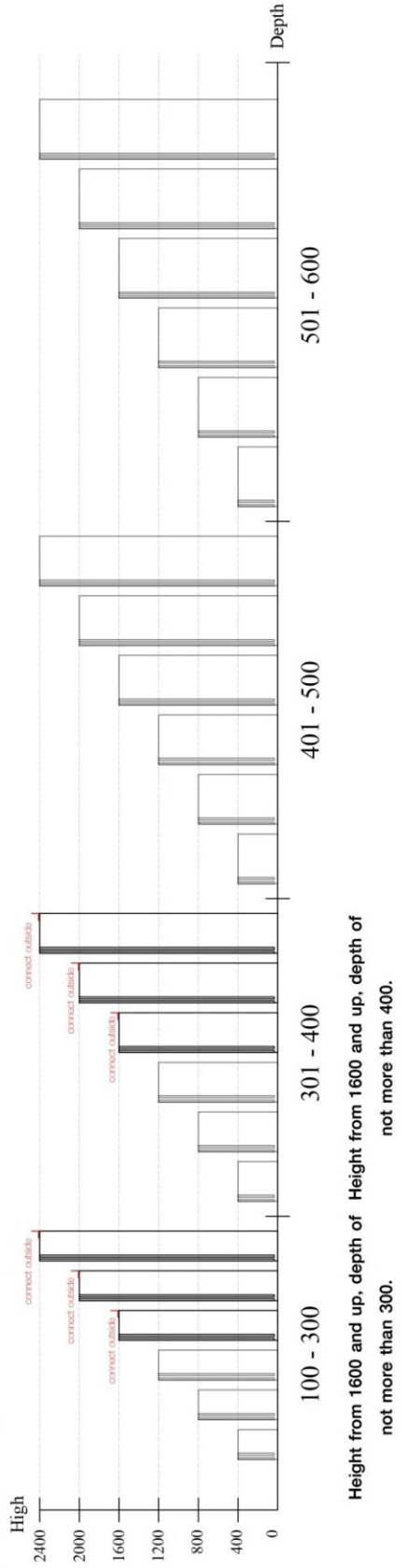
■ Category : Cabinet with open doors

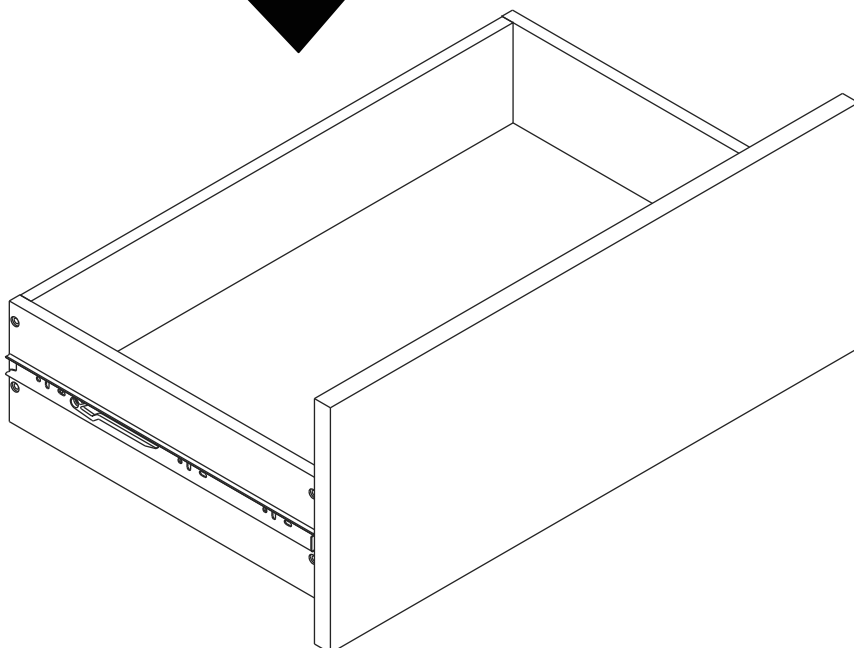
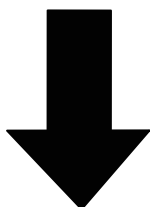
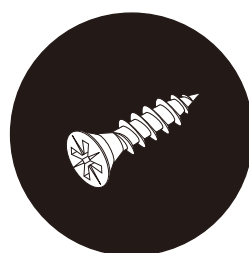
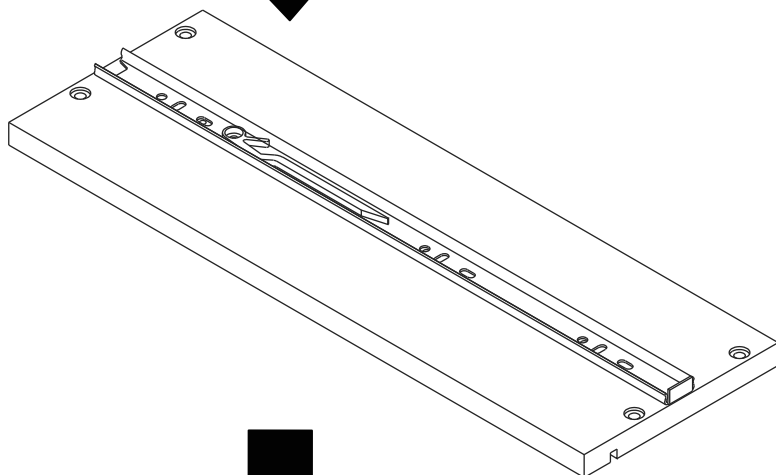
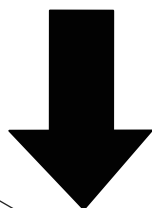
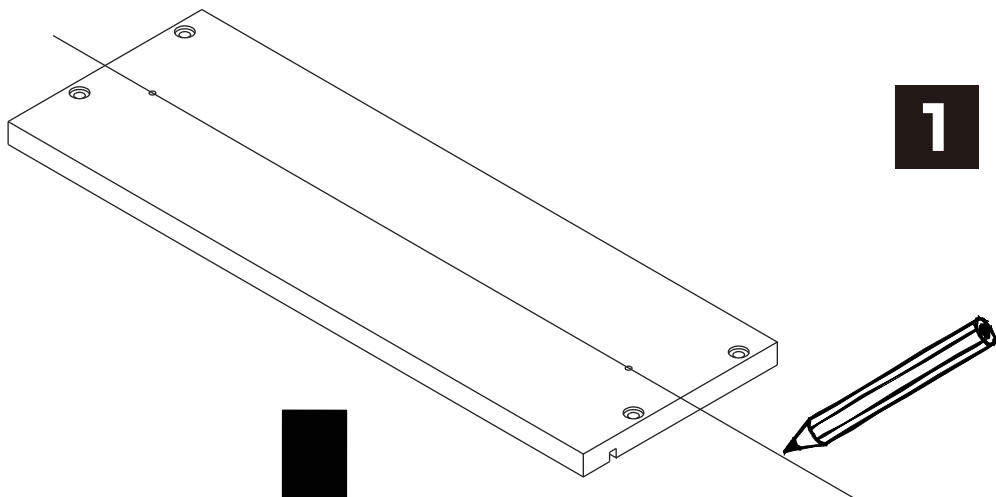


■ Category : Chest of drawers



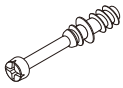
■ Category : Sliding door cabinet / Open cabinet





HARDWARE

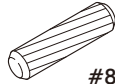
-BODY SET



x 33

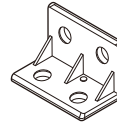


x 33

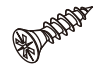


#8x35

x 48



x 8



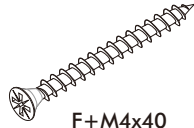
M4x16mm.

x 58



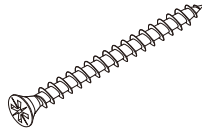
M4x16mm.

x 52



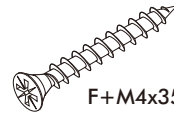
F+M4x40

x 1



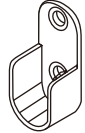
F+M4x50

x 8



F+M4x35

x 8

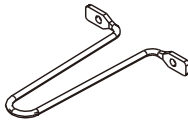


x 4

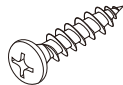


M3.5x13mm.

x 8

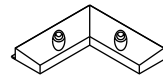


x 1



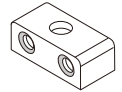
M4x30mm.

x 9



63x63 mm.

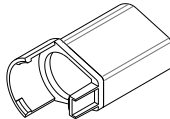
x 2



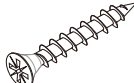
x 5



x 6



x 6

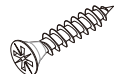


M4x25mm.

x 15



x 12



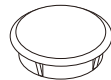
F+M3.5x20mm.

x 4



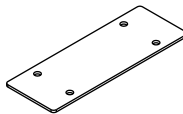
5x18mm.

x 6



5x23mm.

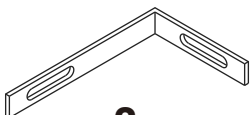
x 2



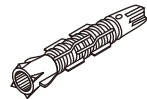
x 2



x 8



x 2



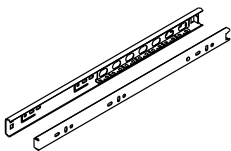
x 2



M5x50mm.

x 2

-DRAWER SET



x 4



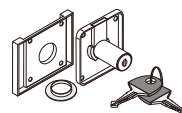
M6x23mm.

x 19



M3.5x13mm.

x 48



x 1



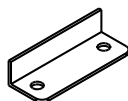
M3.5x20mm.

x 4

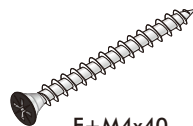


4x1/2" mm.

x 2

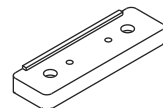


x 1



F+M4x40

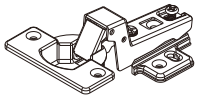
x 40



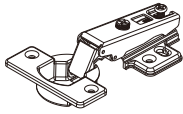
x 10

HARDWARE

-DOOR SET



x 8



x 8



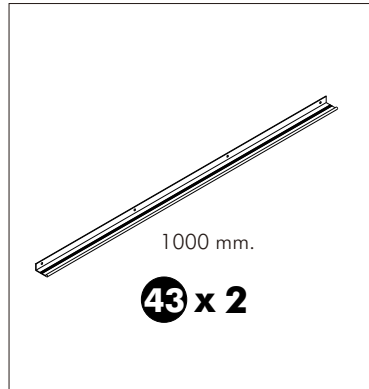
M4x16mm.

x 96



M3.5x16mm.

x 8



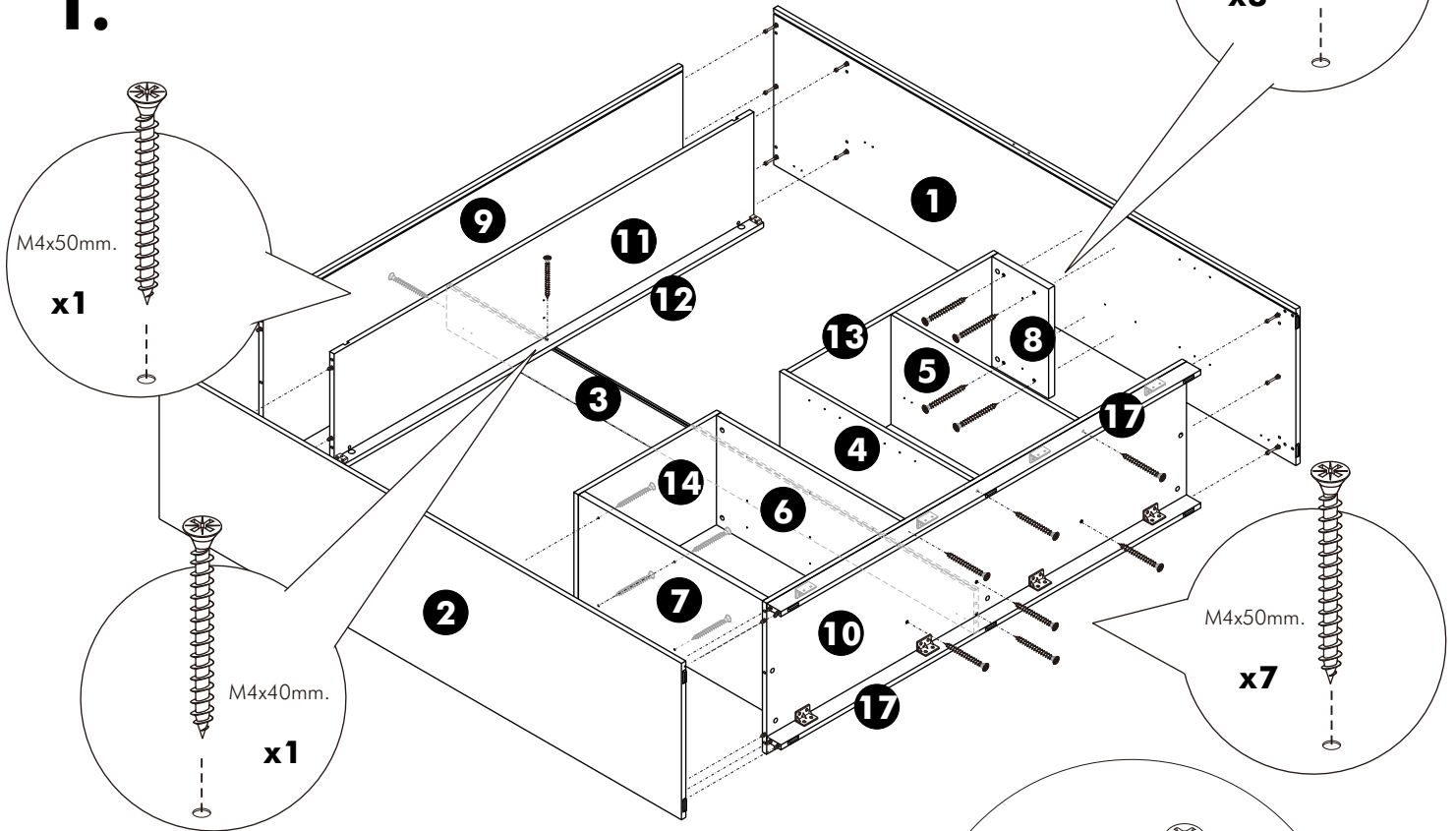
1000 mm.

43 x 2

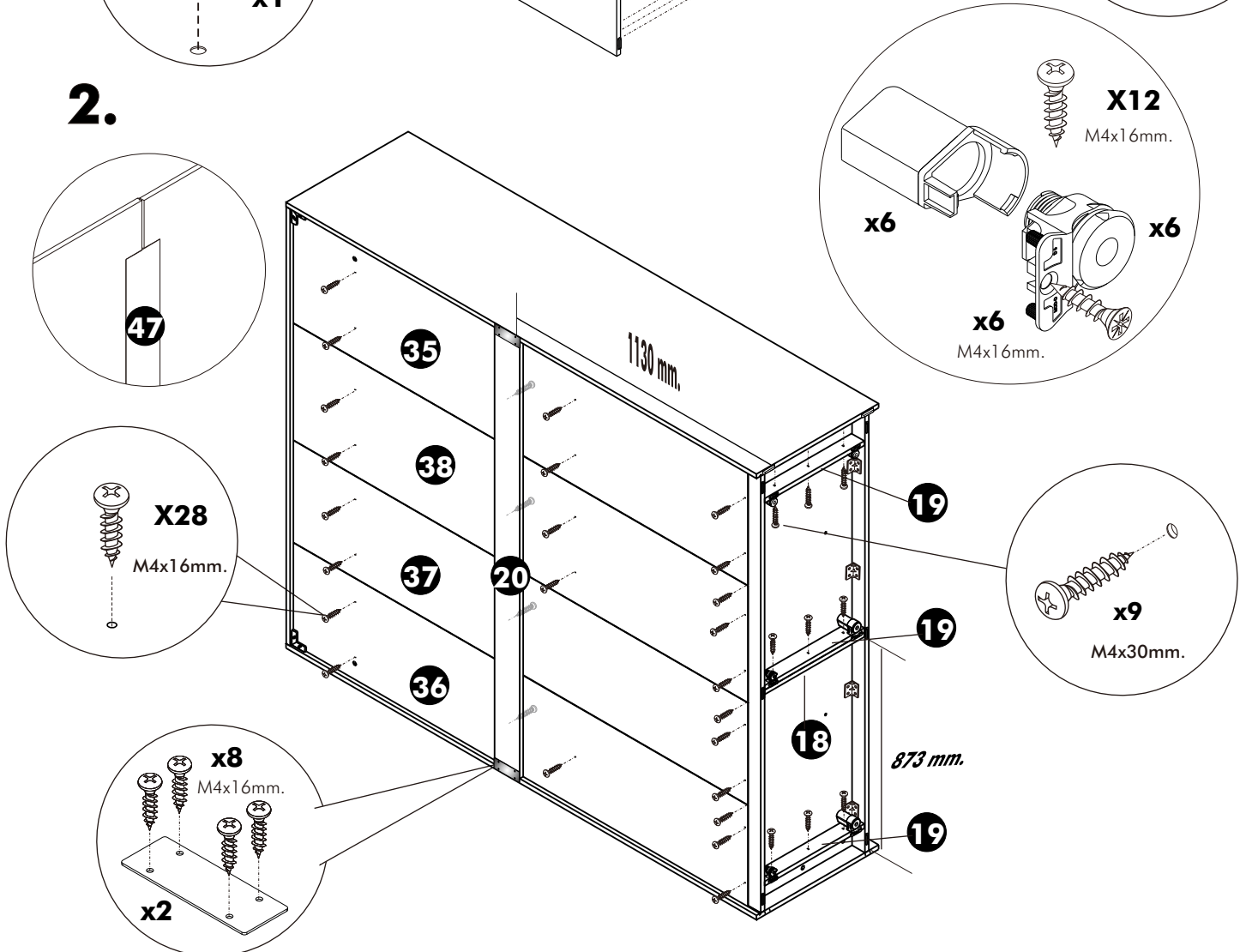
ASSEMBLY

-BODY SET

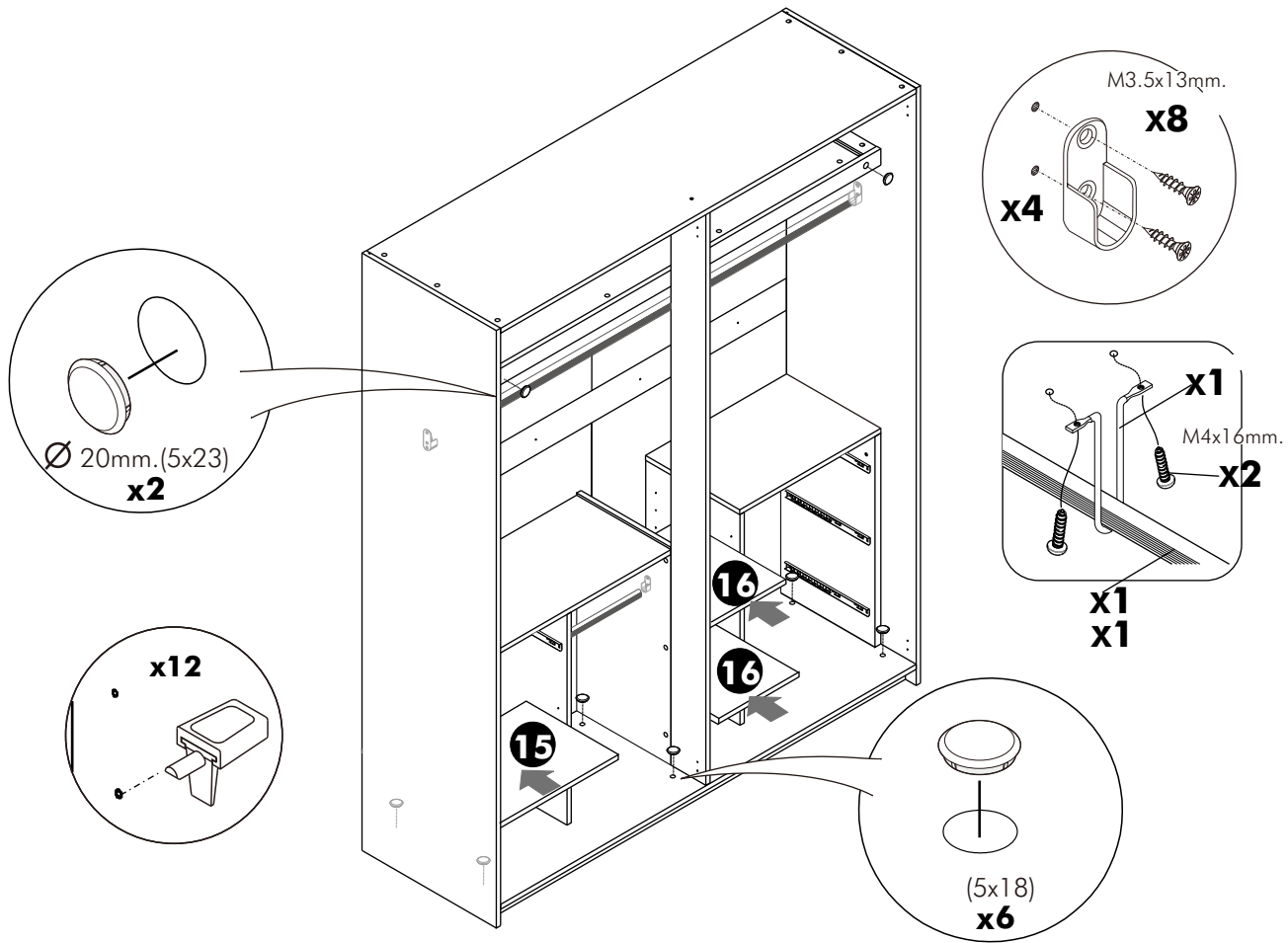
1.



2.

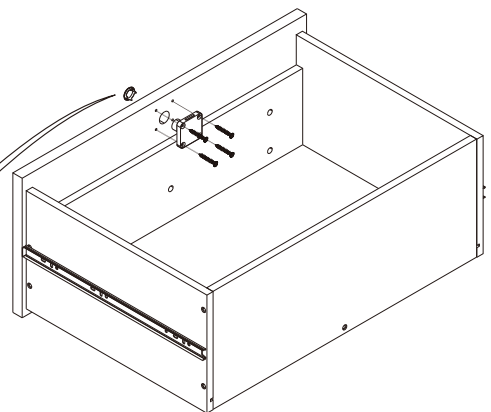
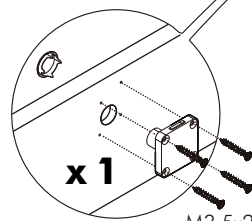
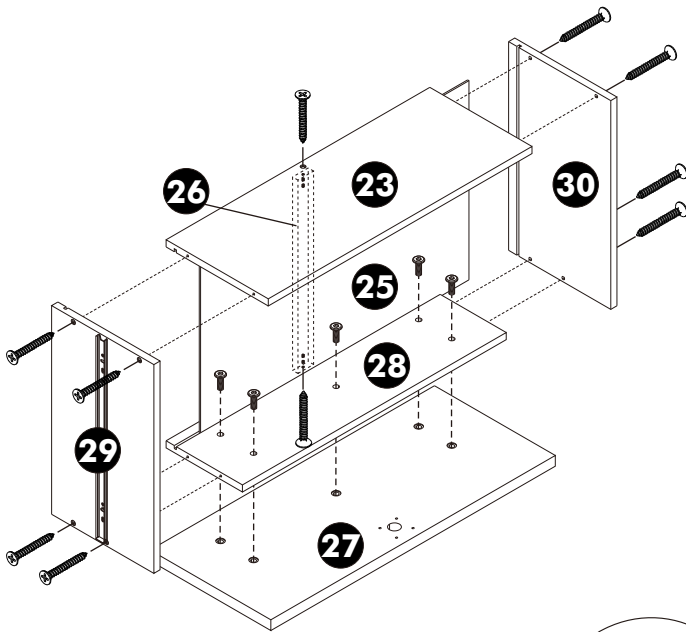
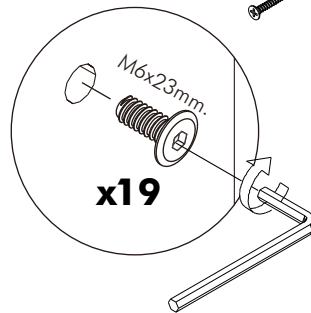
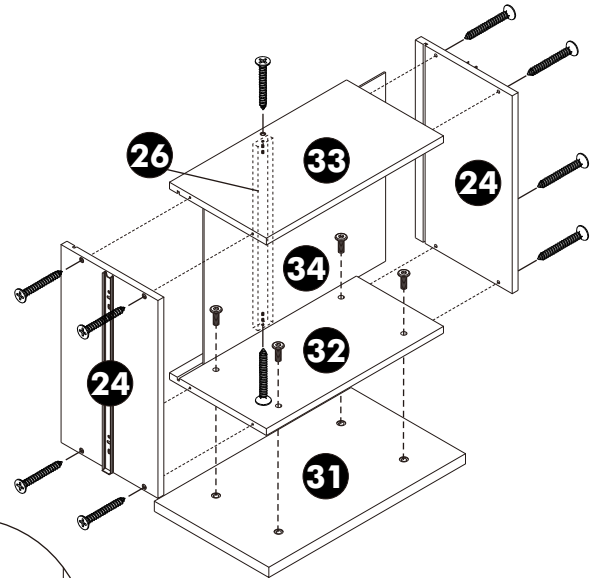
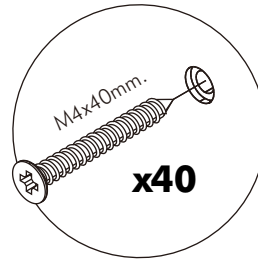
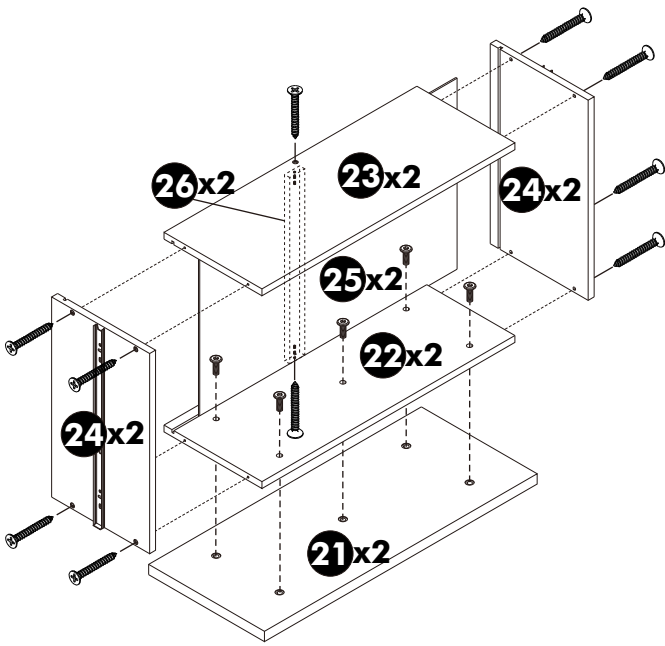


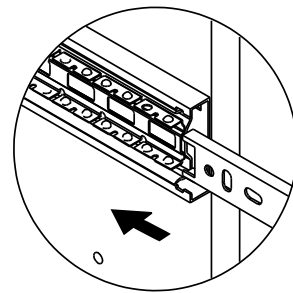
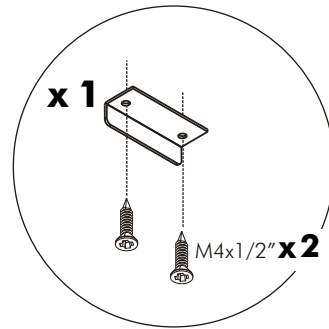
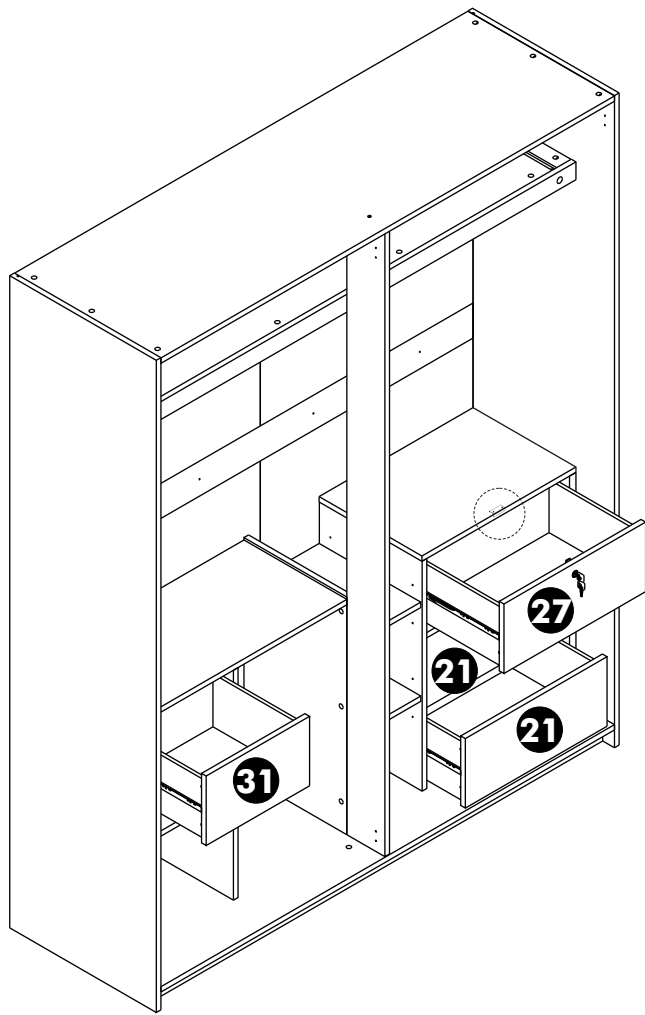
3.



ASSEMBLY

-DRAWER SET





ASSEMBLY

-DOOR SET

