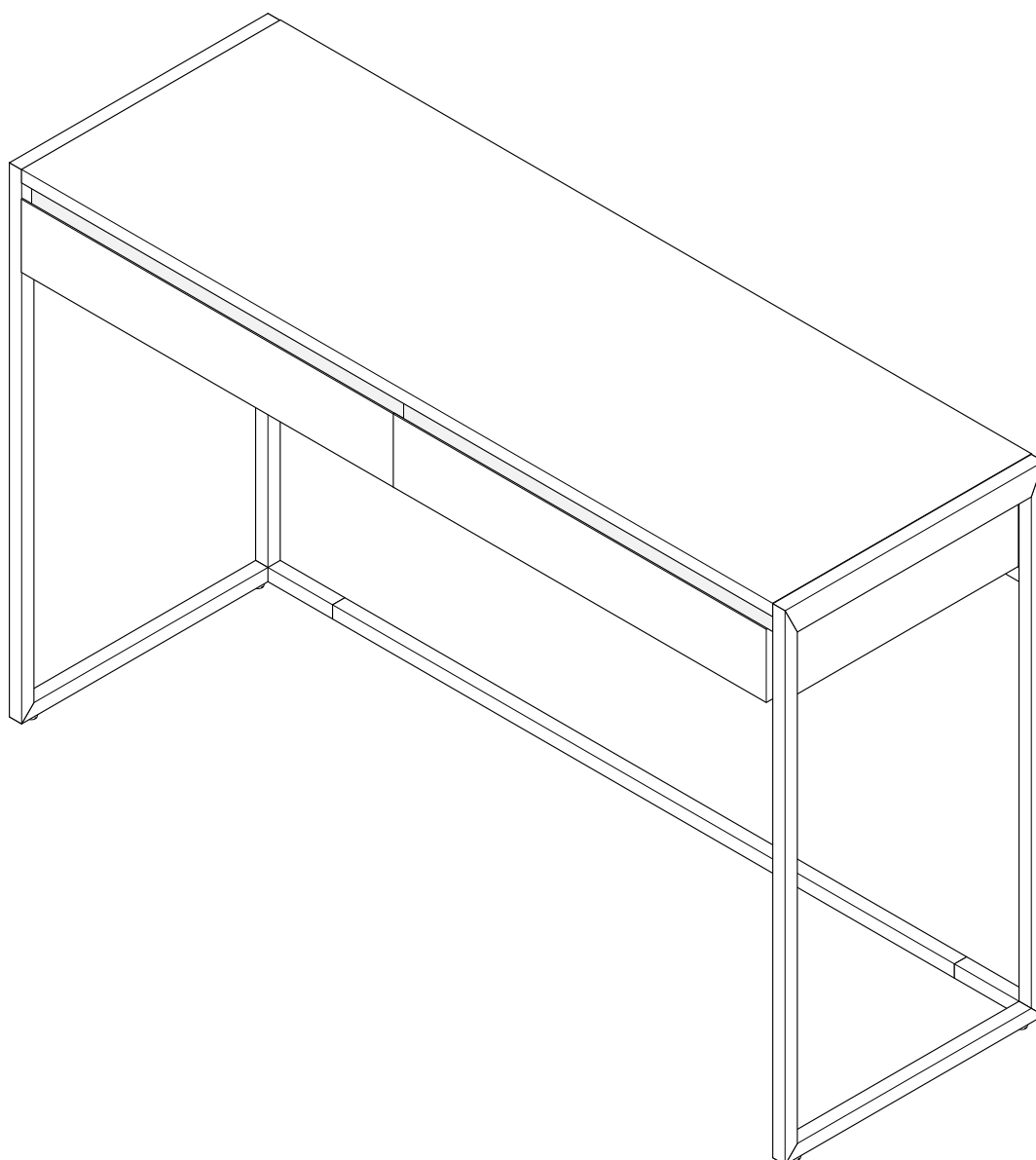
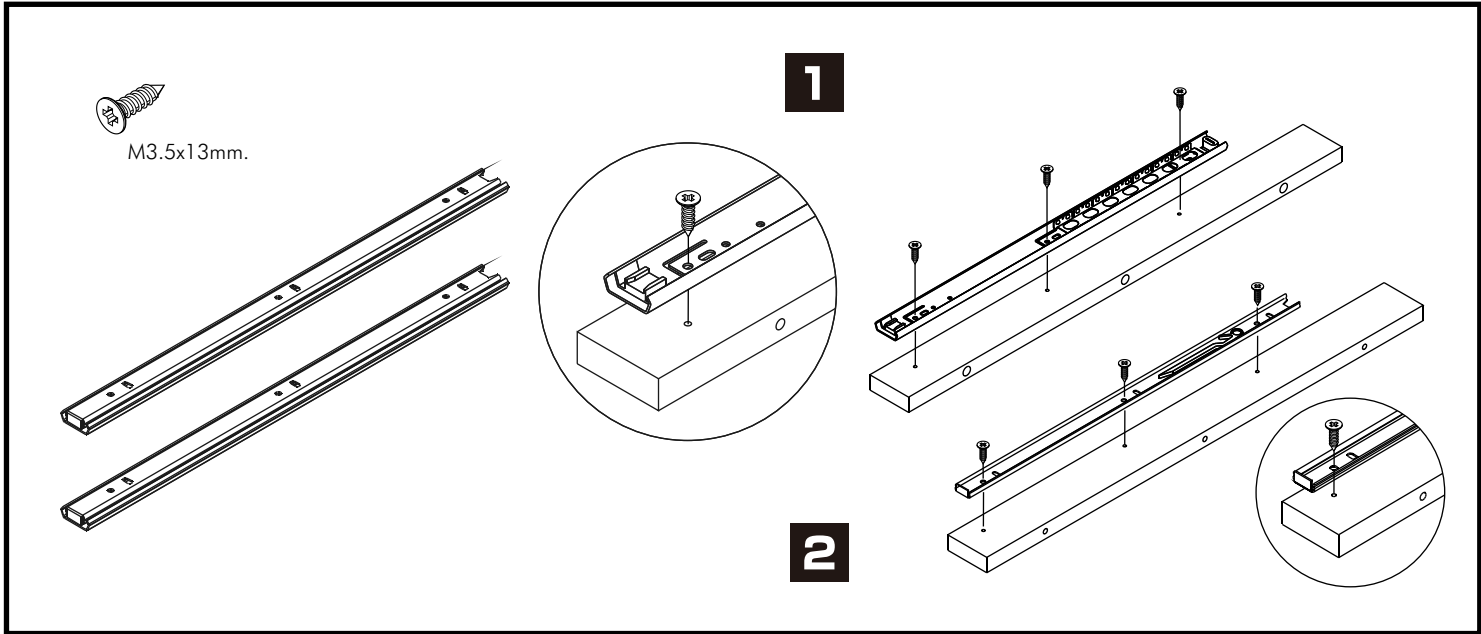


CORSICA

Working table 120 cm

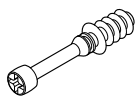


CONNECT SYSTEM



HARDWARE

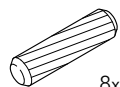
-BODY SET



x 14

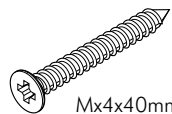


x 14



8x35

x 16



Mx4x40mm.

x 5

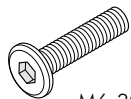


M6x13mm.

x 8



x 8



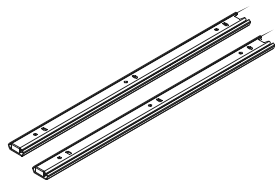
M6x30mm.

x 6



x 4

-DRAWER SET

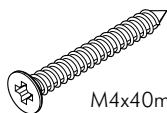


x 2



M3.5x13mm.

x 24



M4x40mm.

x 20



M6x23mm.

x 6

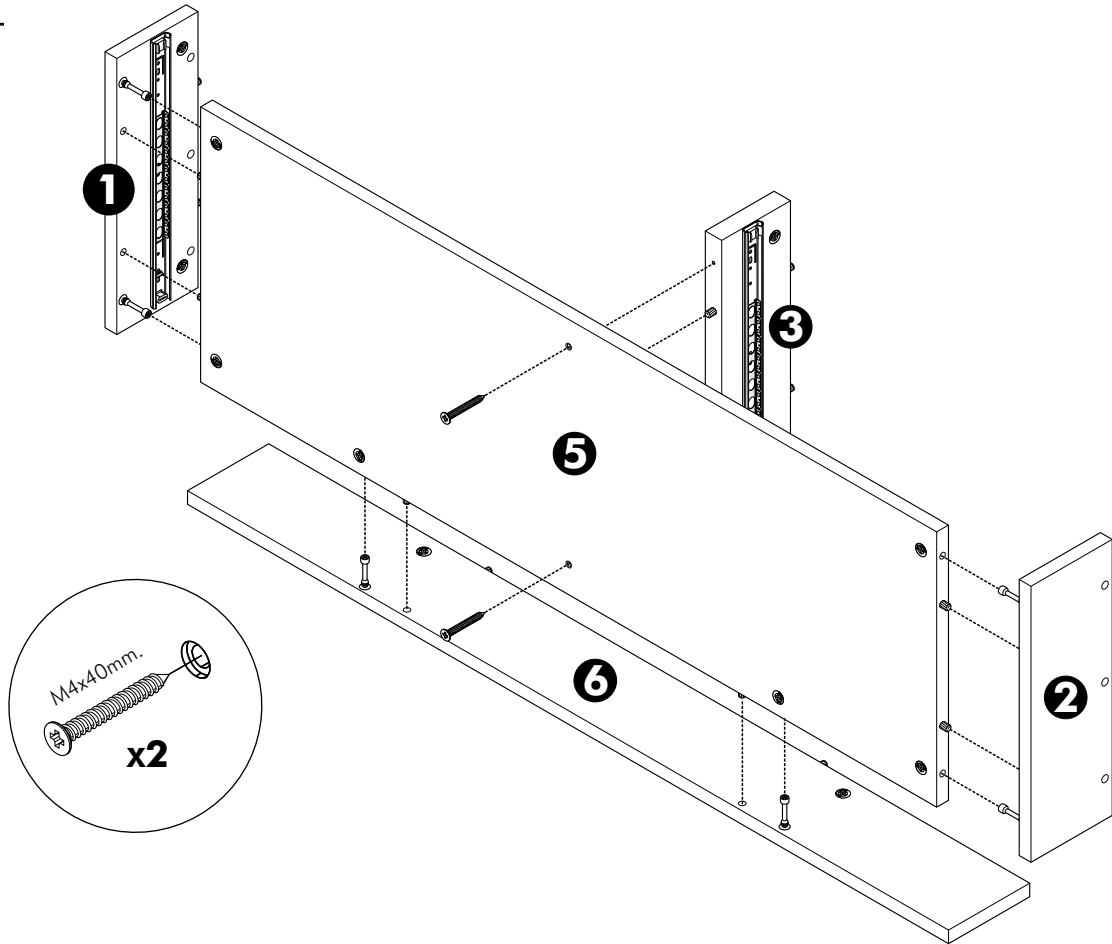


x 1

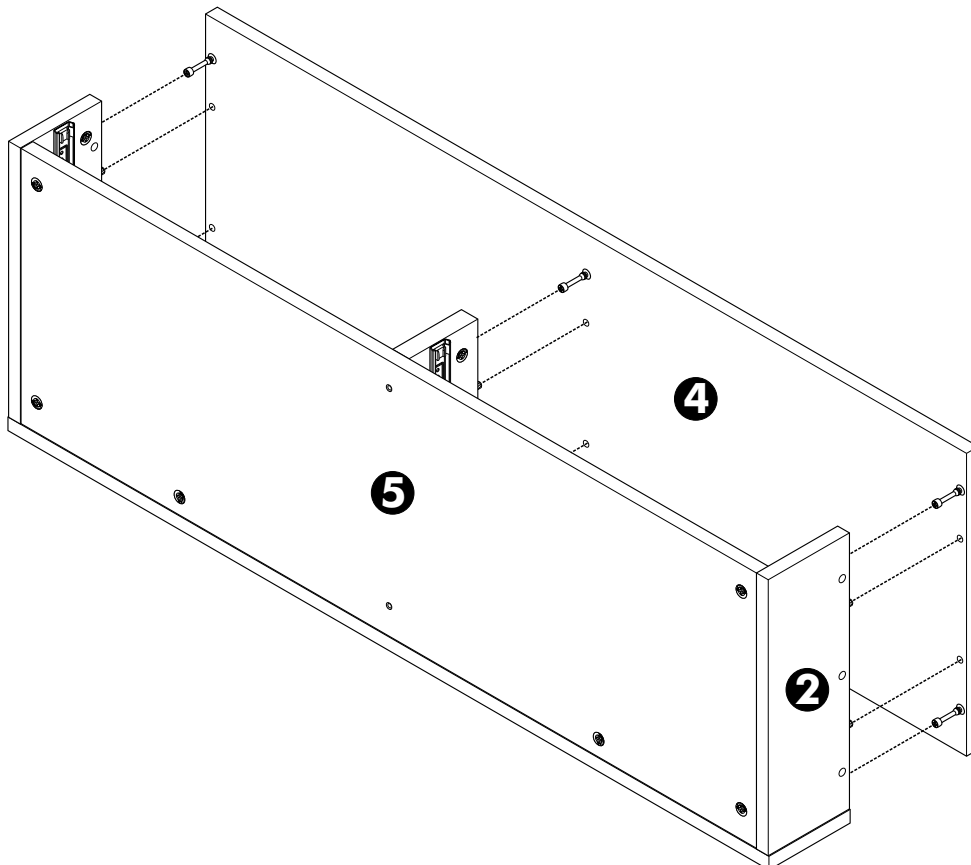
ASSEMBLY

-BODY SET

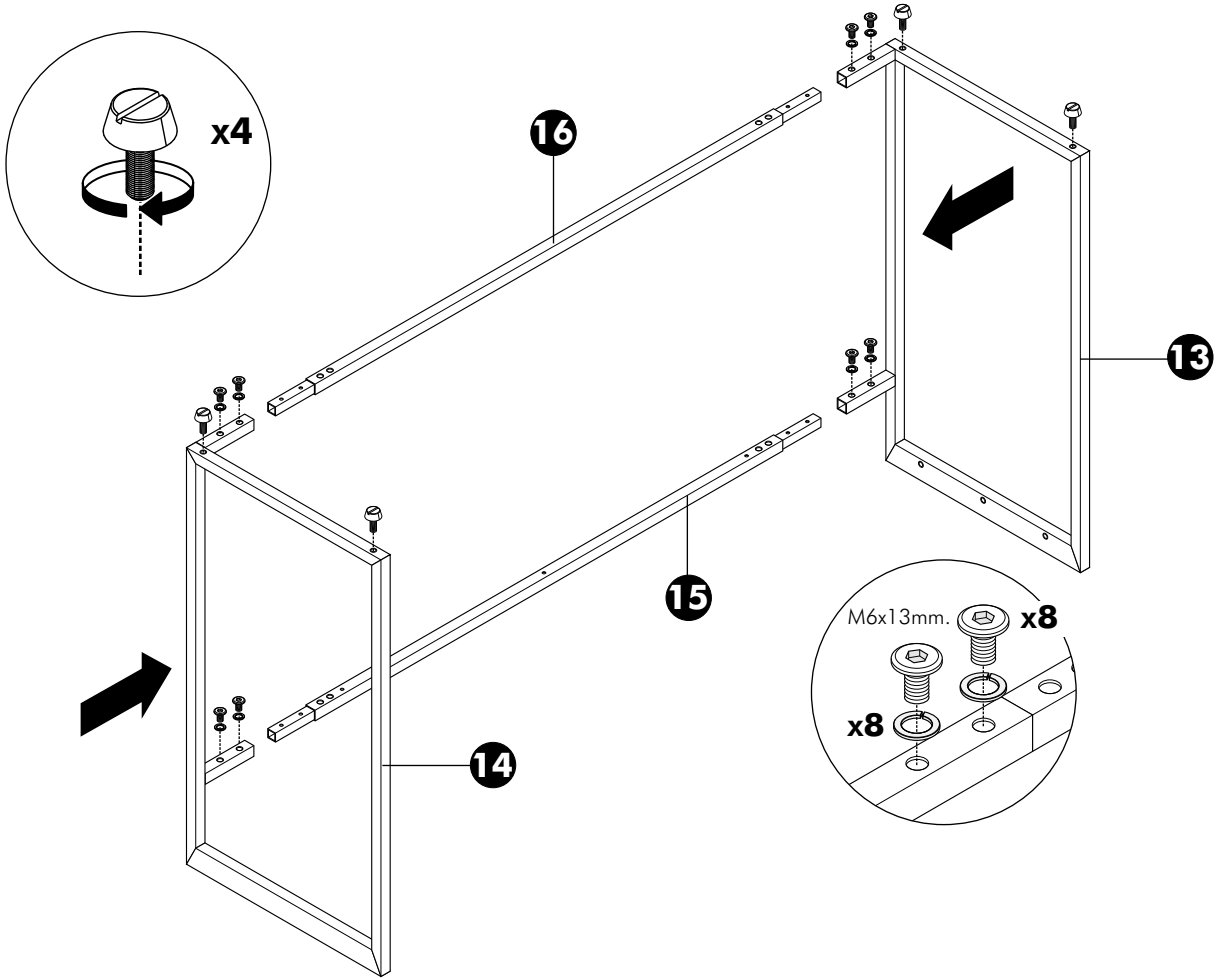
1.



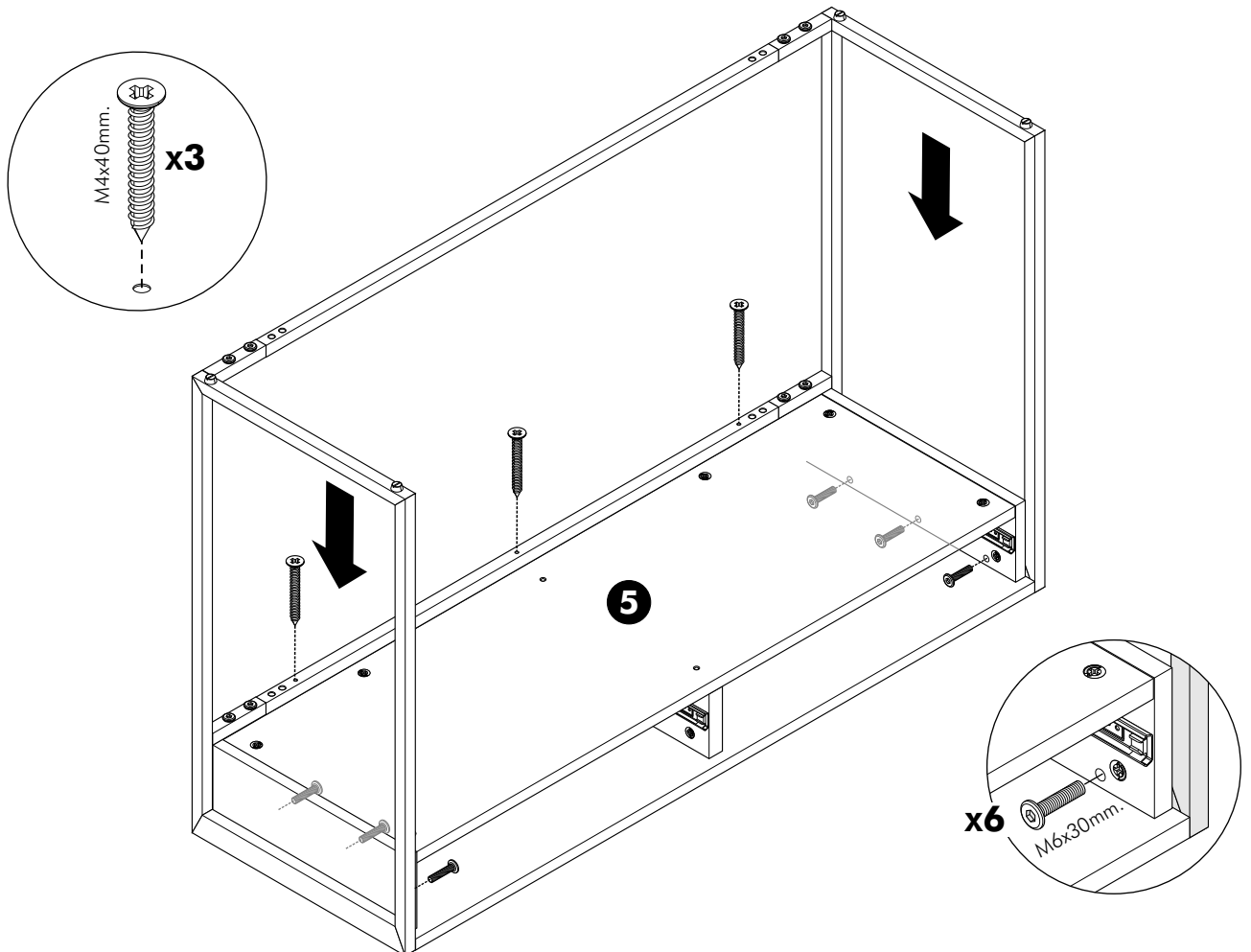
2.



3.



4.



ASSEMBLY

-DRAWER SET

