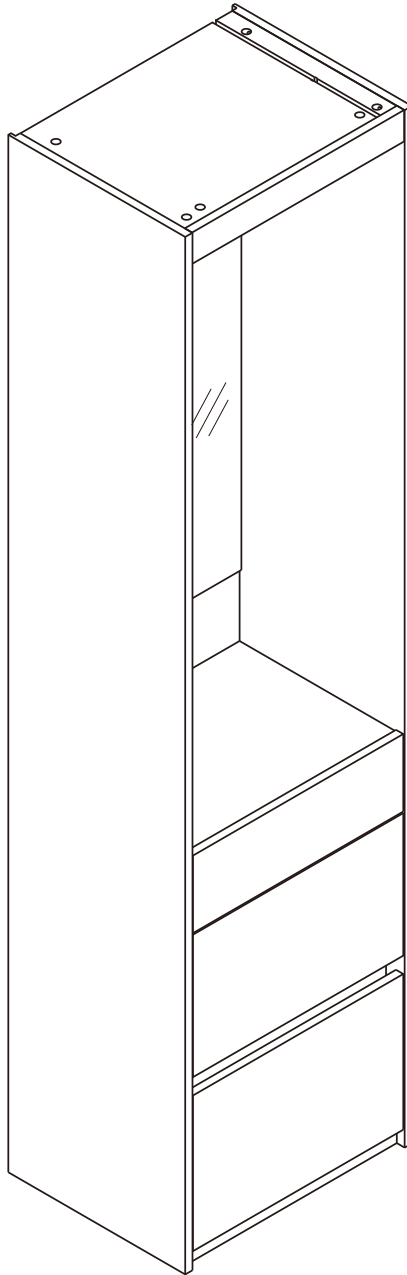
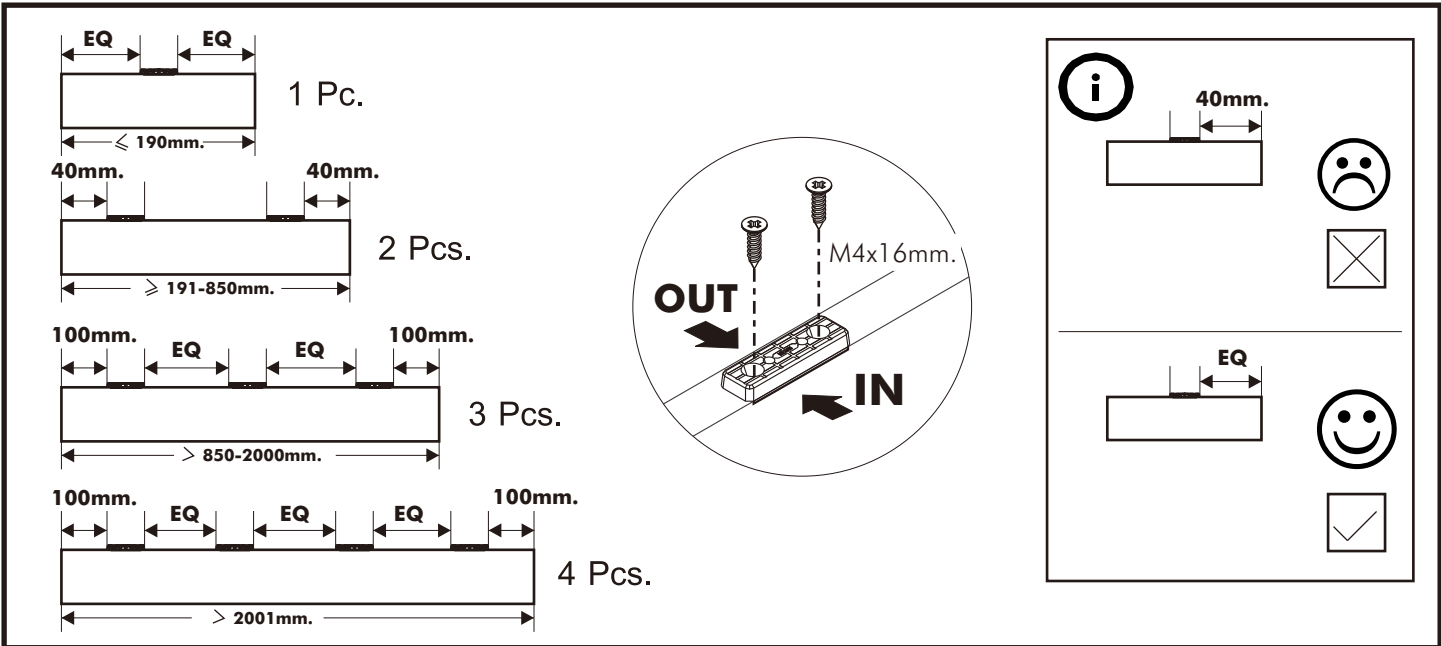
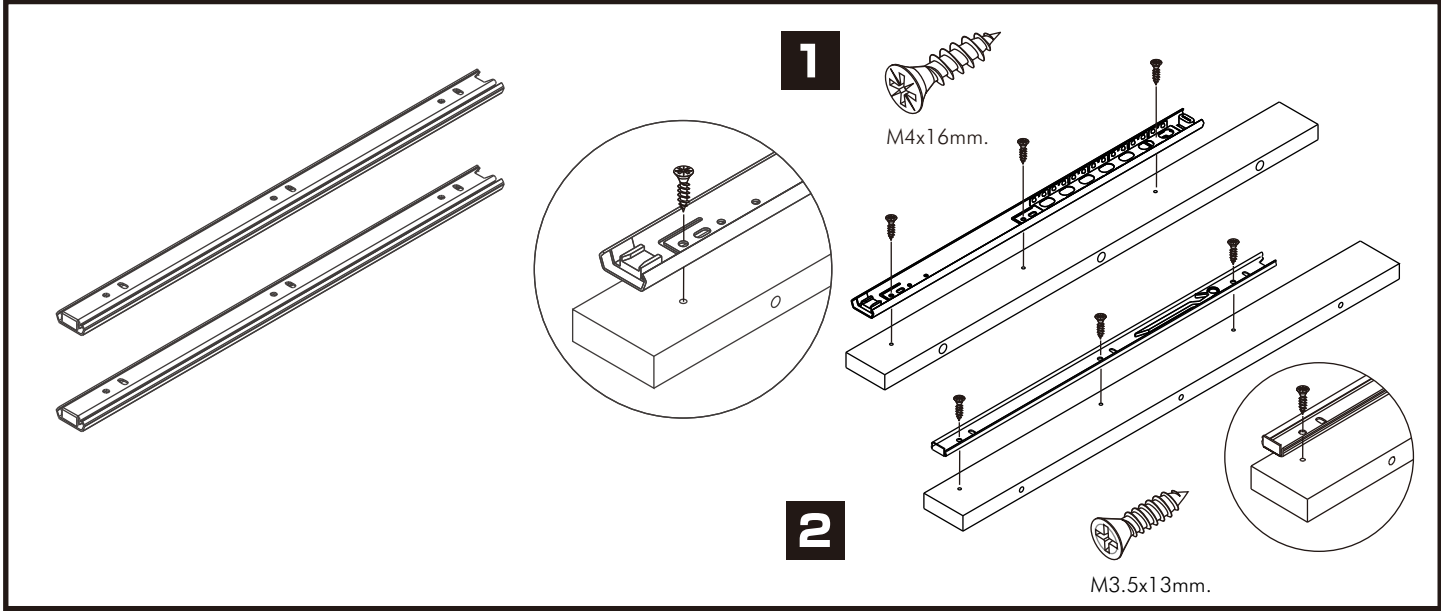
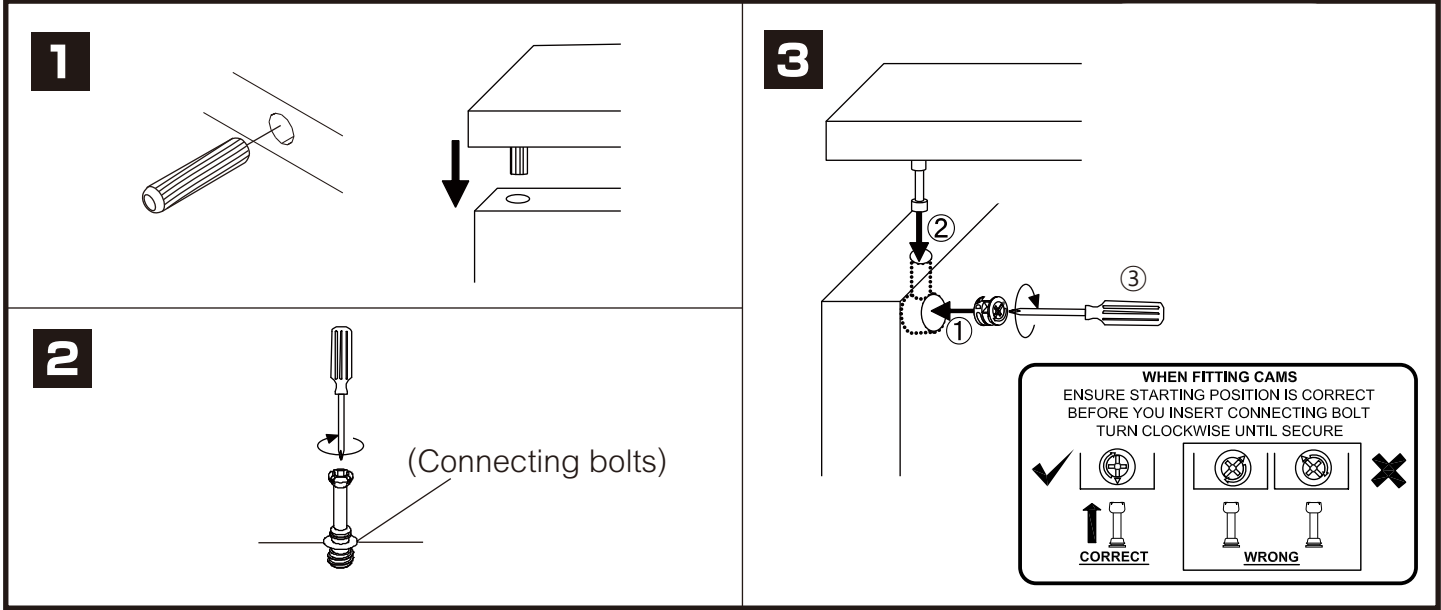


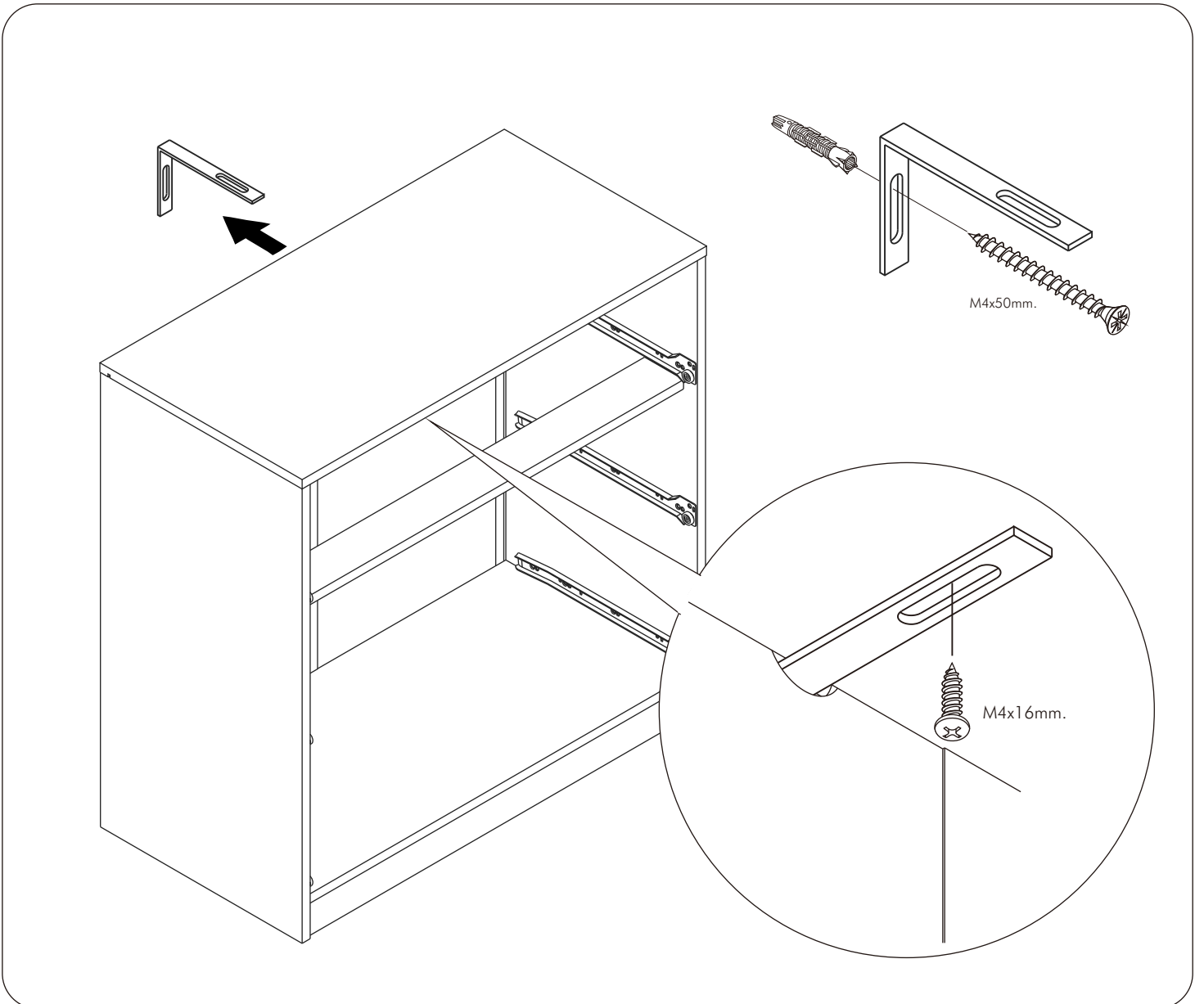
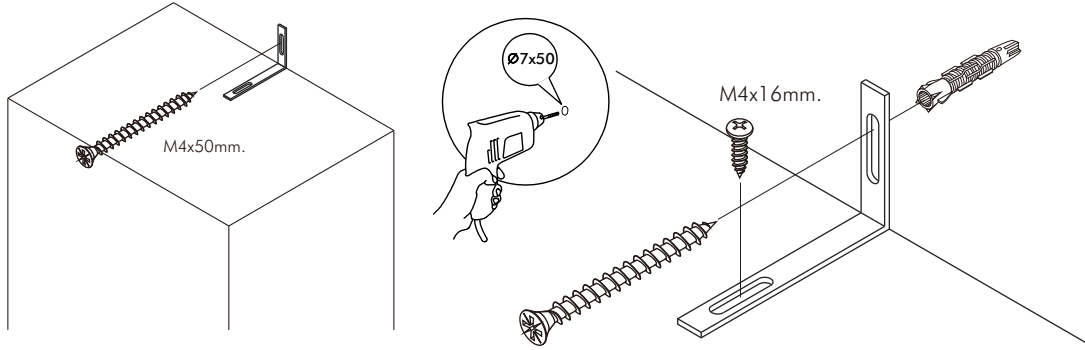
ITAL-SMART

Dressing Stand 50 cm.



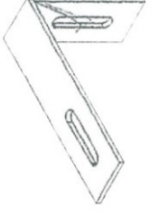
CONNECT SYSTEM



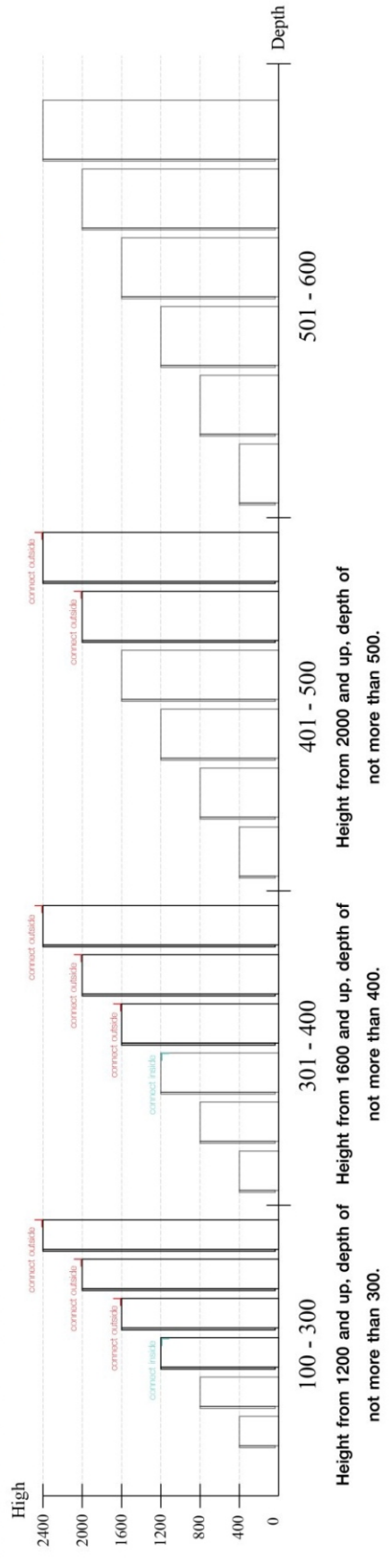


The Standard for identifying which mounted safety fall protection fitting to use **Note : That children's products must be installed with all anti-falling fittings.**

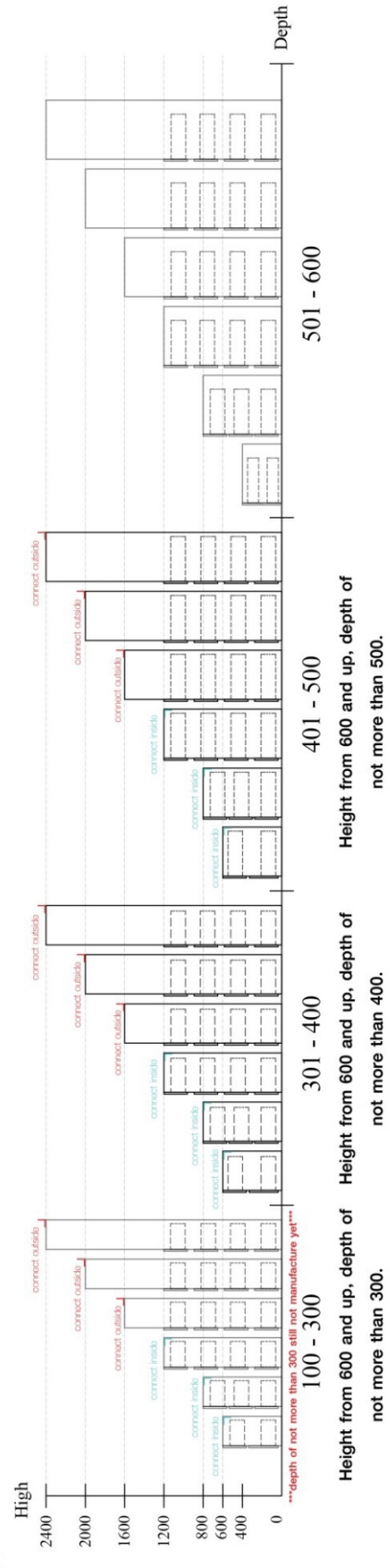
■ Mounted fall protection fittings



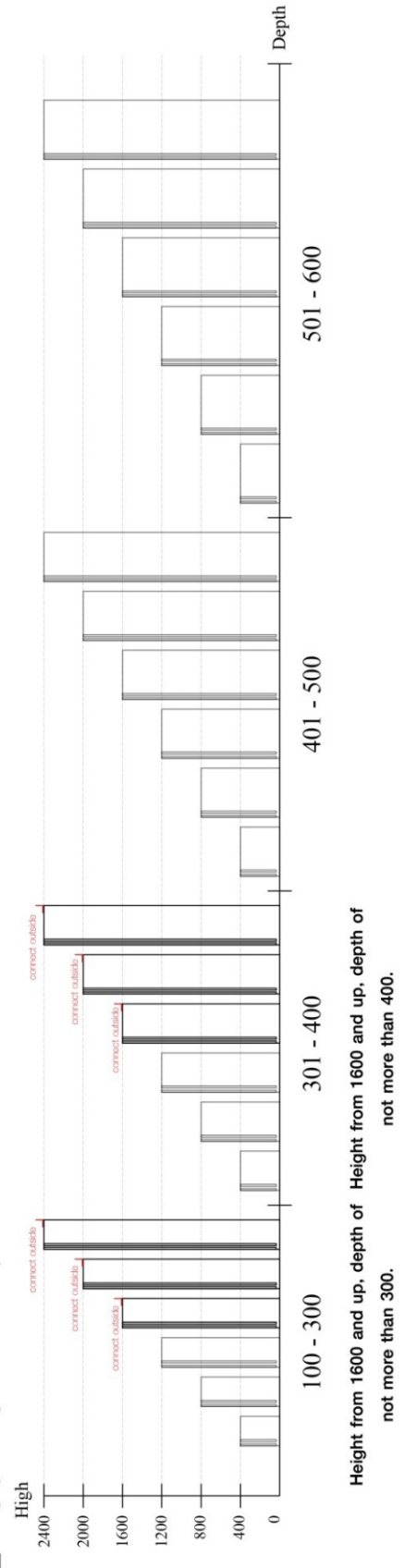
■ Category : Cabinet with open doors



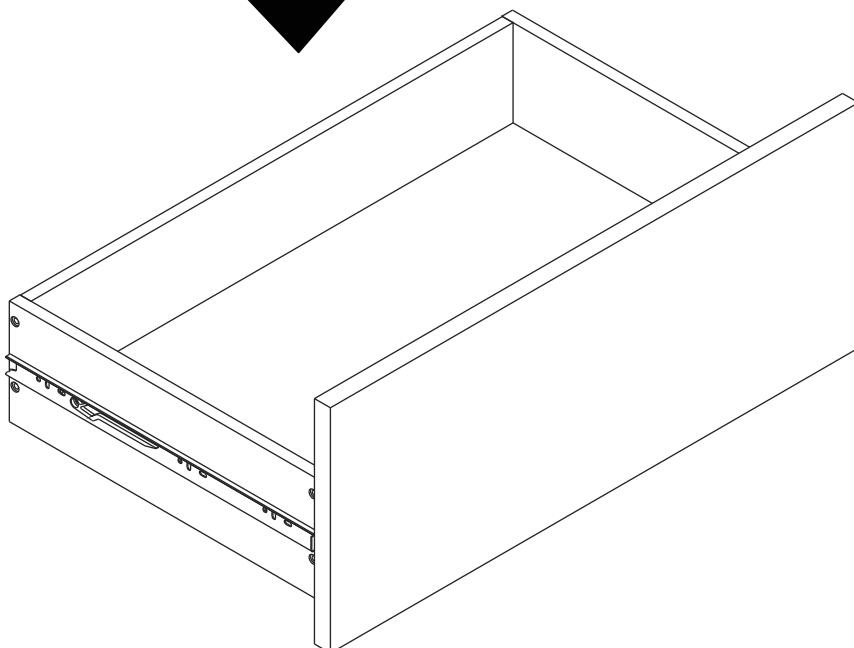
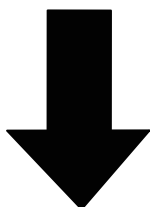
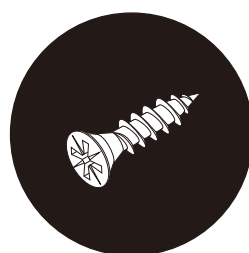
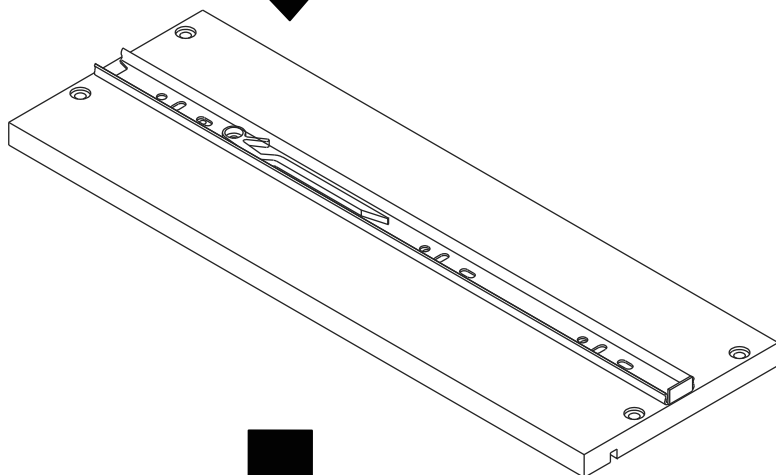
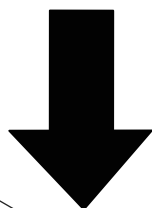
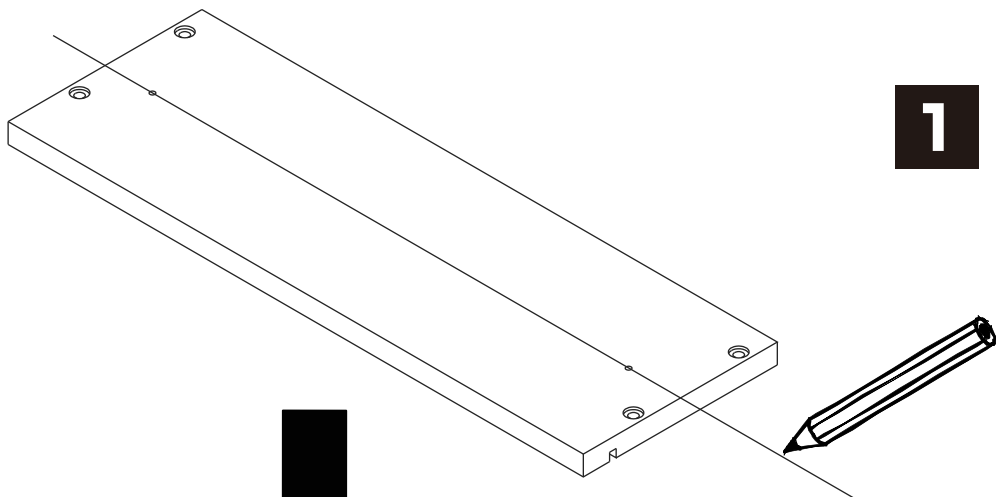
■ Category : Chest of drawers



■ Category : Sliding door cabinet / Open cabinet

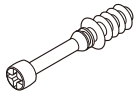


depth of not more than 300 still not manufacture yet



HARDWARE

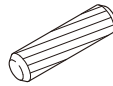
-BODY SET



x 26

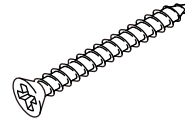


x 26



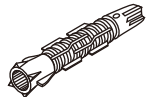
8x35mm.

x 44

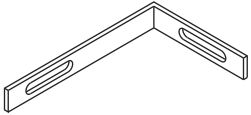


M4x40mm.

x 4



x 1

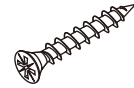


x 1



M4x16mm.

x 3



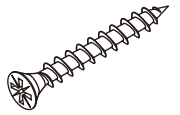
M3.5x25mm.

x 13



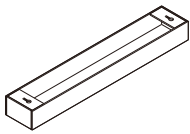
M4x50mm.

x 1



M4x30mm.

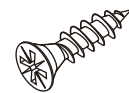
x 4



x 1

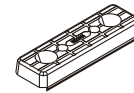


x 2



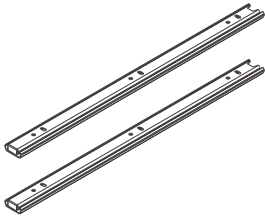
M4x16mm.

x 16



x 8

-DRAWER SET

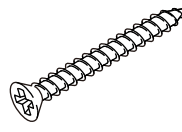


x 3



M3.5x13mm.

x 18



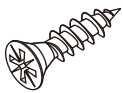
M4x40mm.

x 30



M6x23mm.

x 13



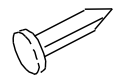
M4x16mm.

x 18

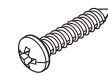
-LAMP SET



x 5



x 5



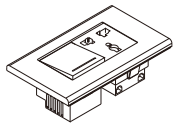
#5x3/4"

x 2



M3.5x13mm.

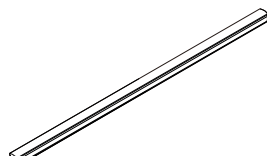
x 4



x 1



x 1

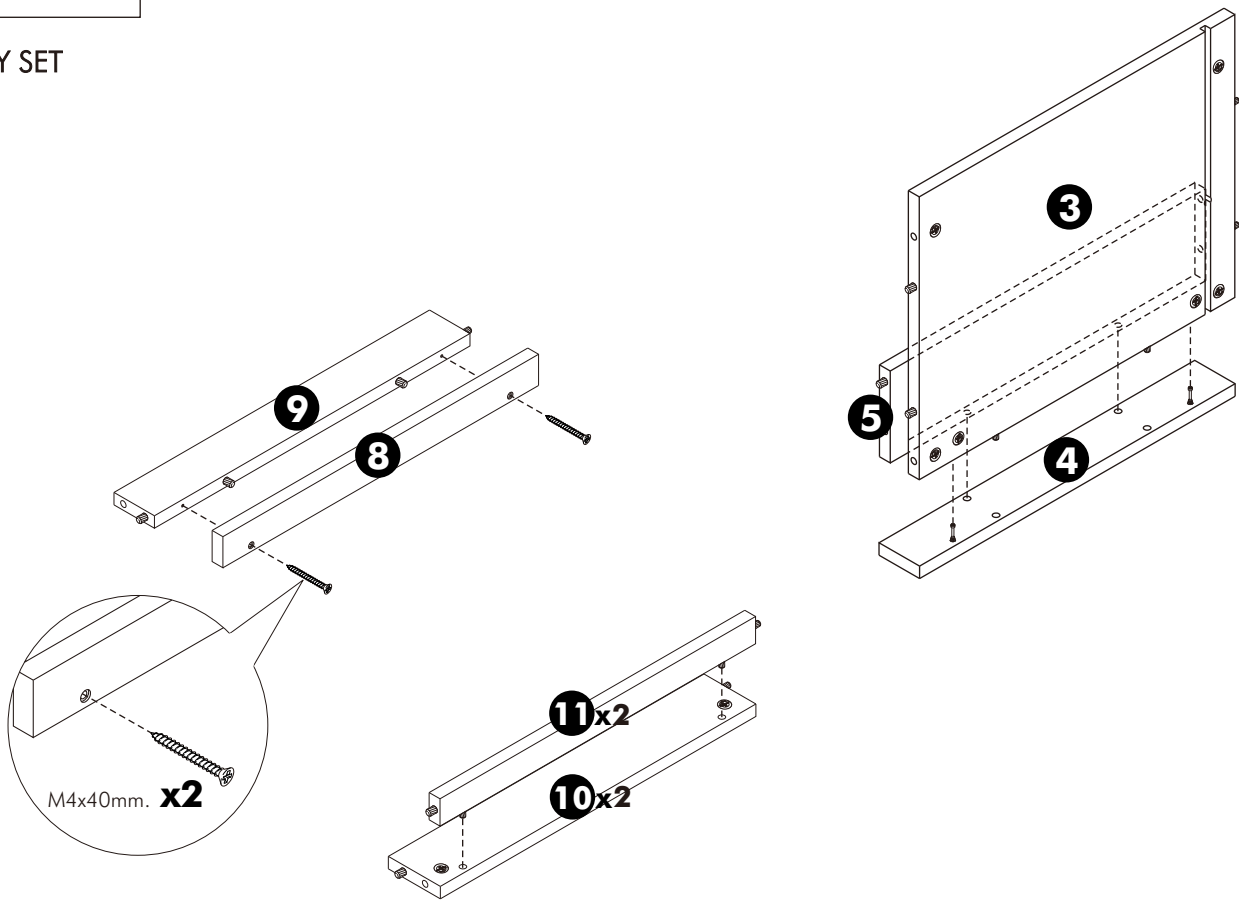


x 1

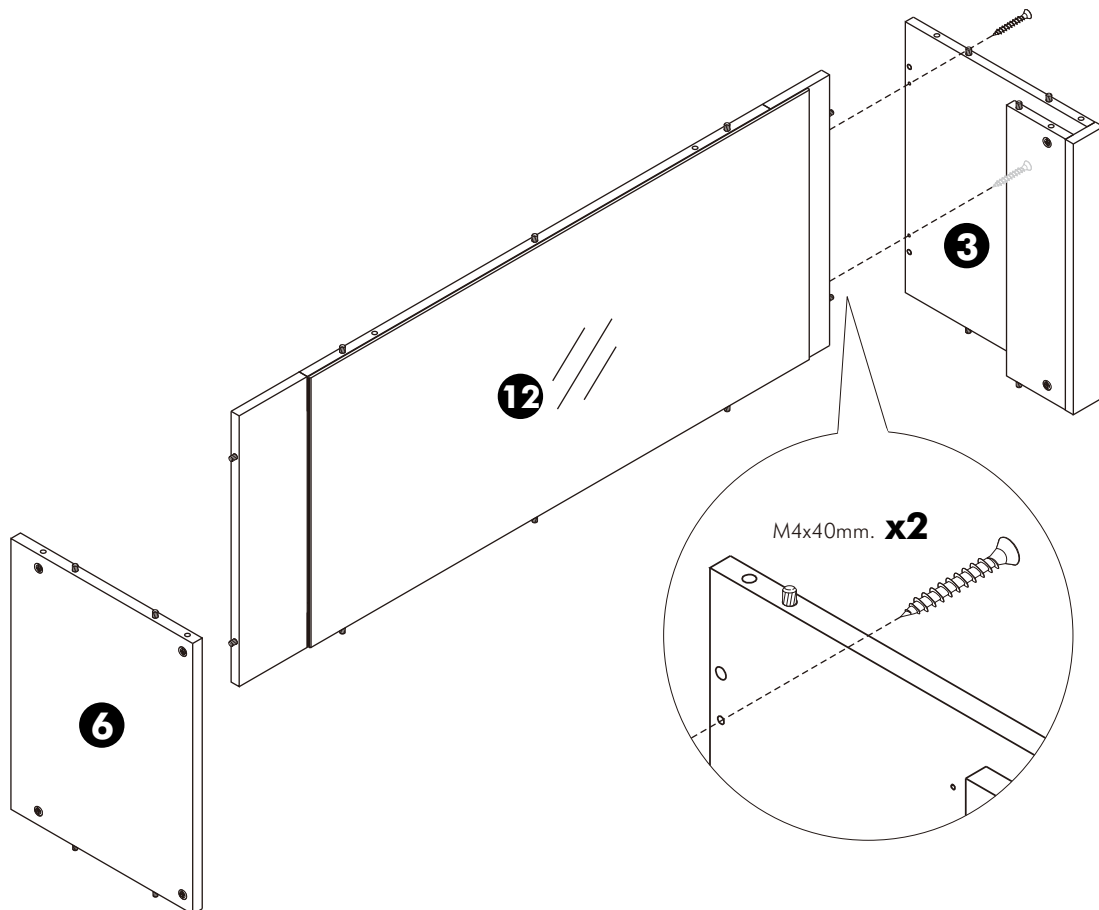
ASSEMBLY

-BODY SET

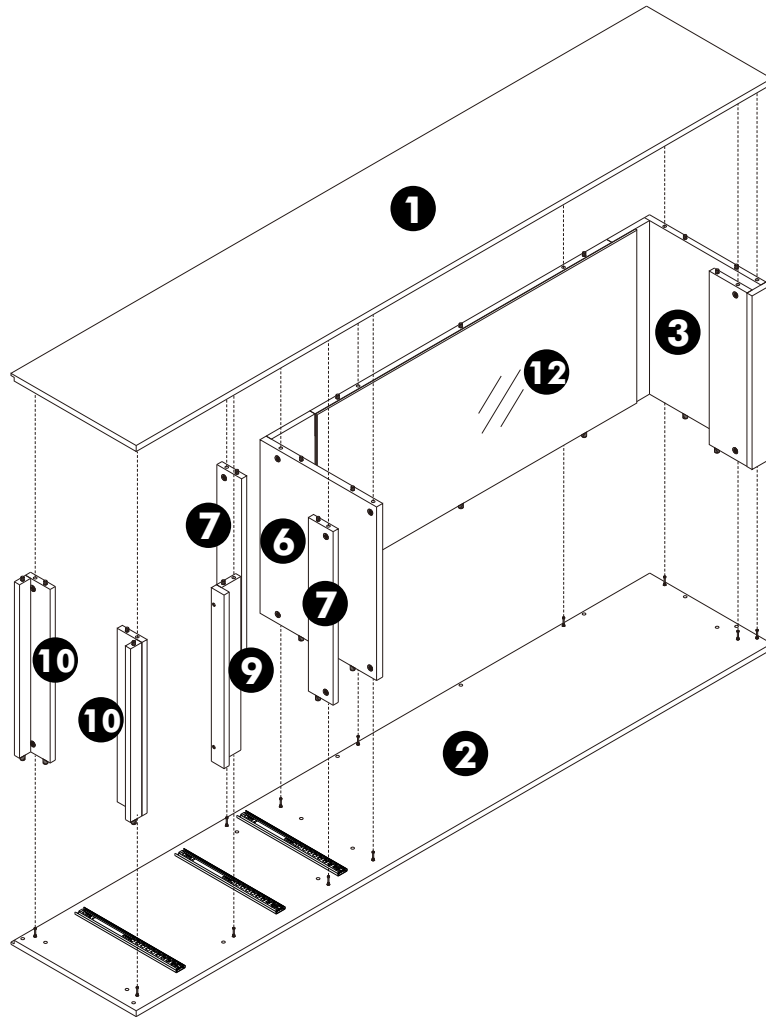
1.



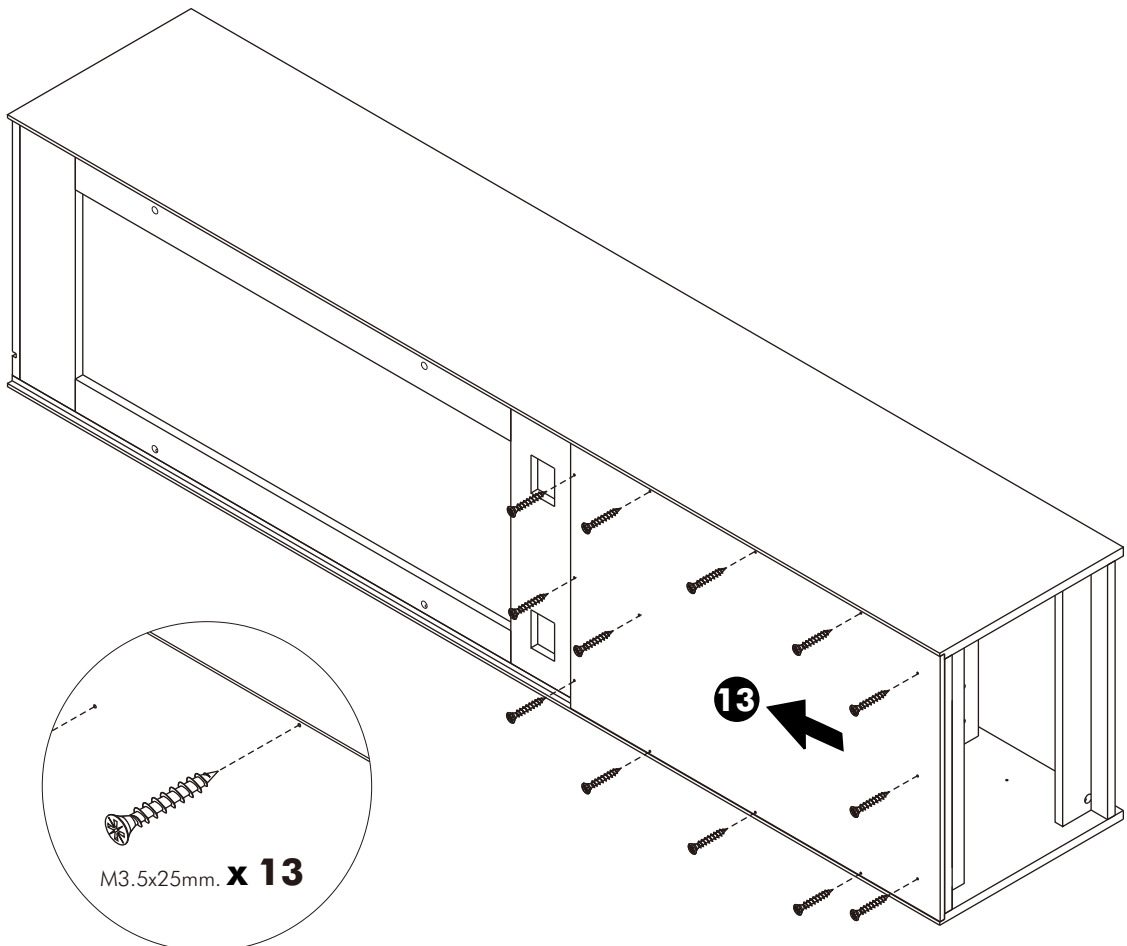
2.



3.

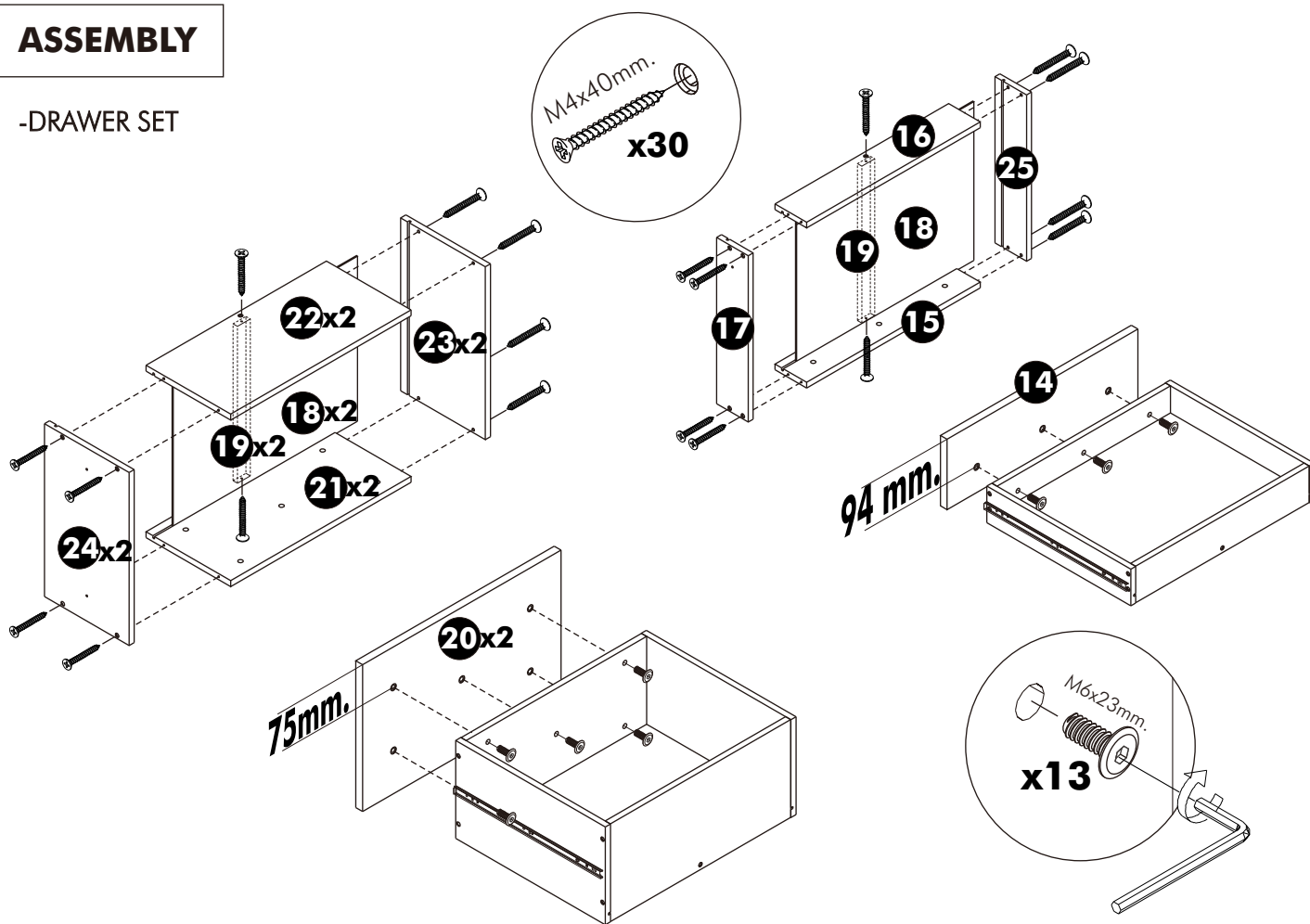


4.

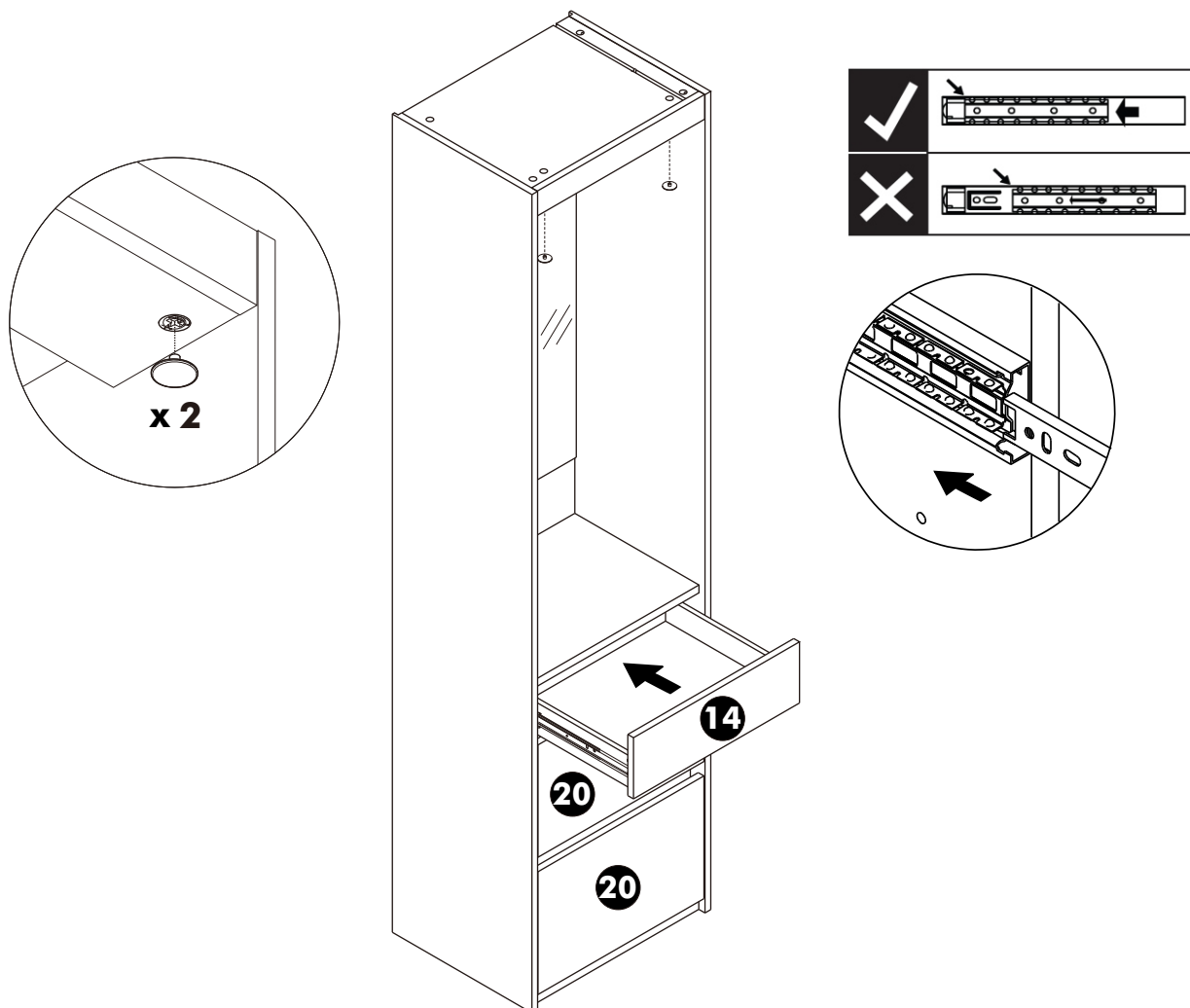


ASSEMBLY

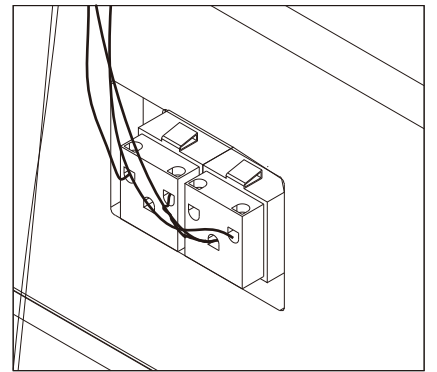
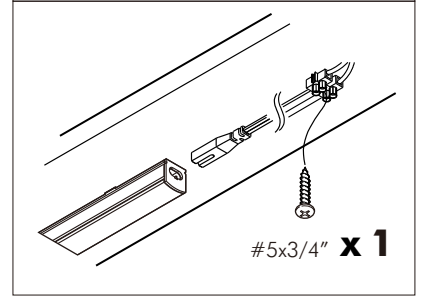
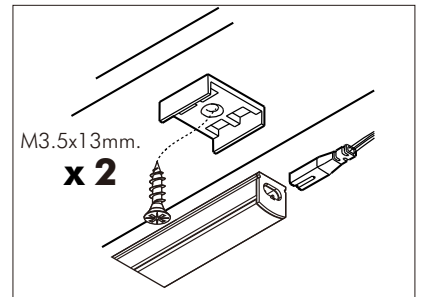
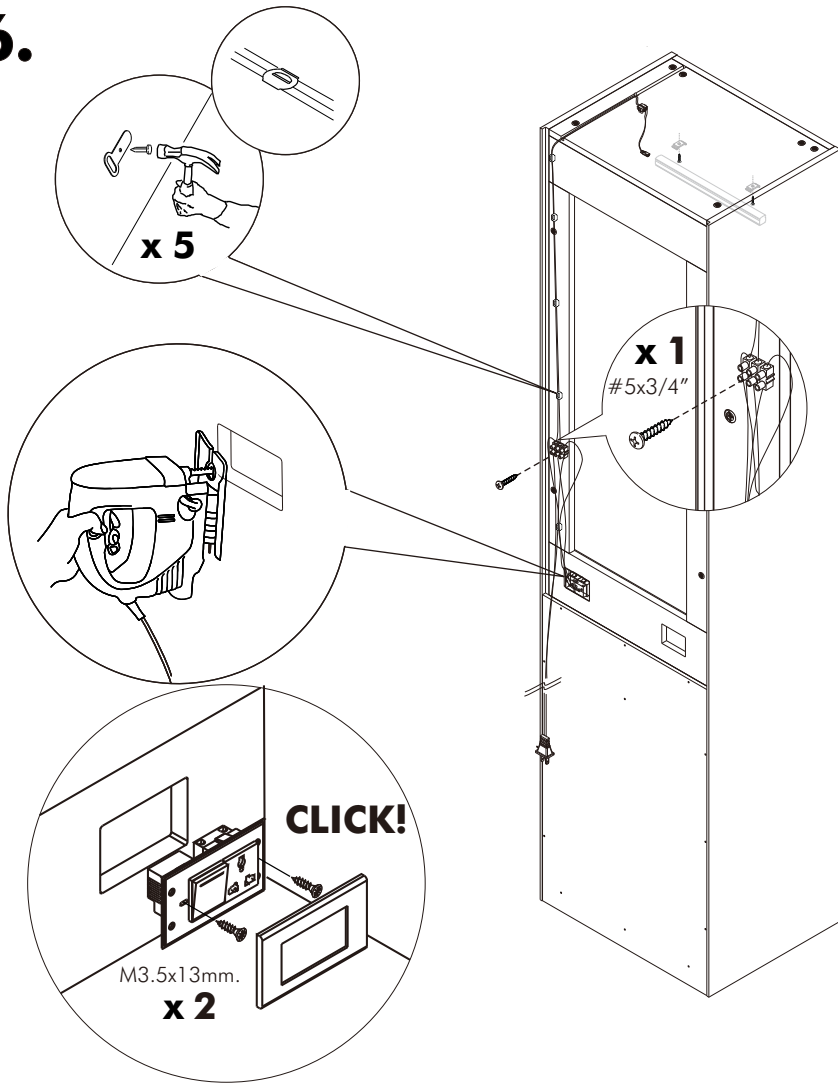
-DRAWER SET



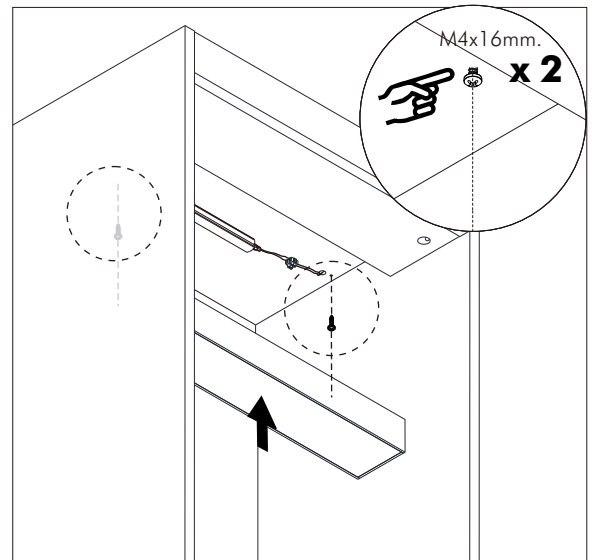
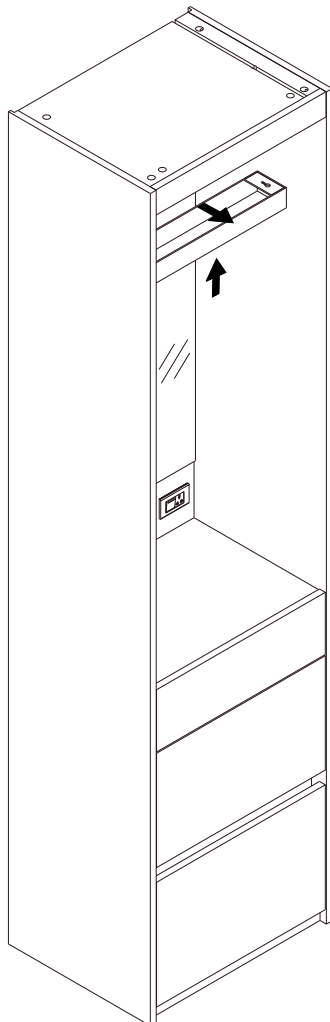
5.



6.



7.





ITAL-SMART
Top box 50cm/57
(Hardware)

ITAL-SMART
Top box 50cm/57
(Hardware)

