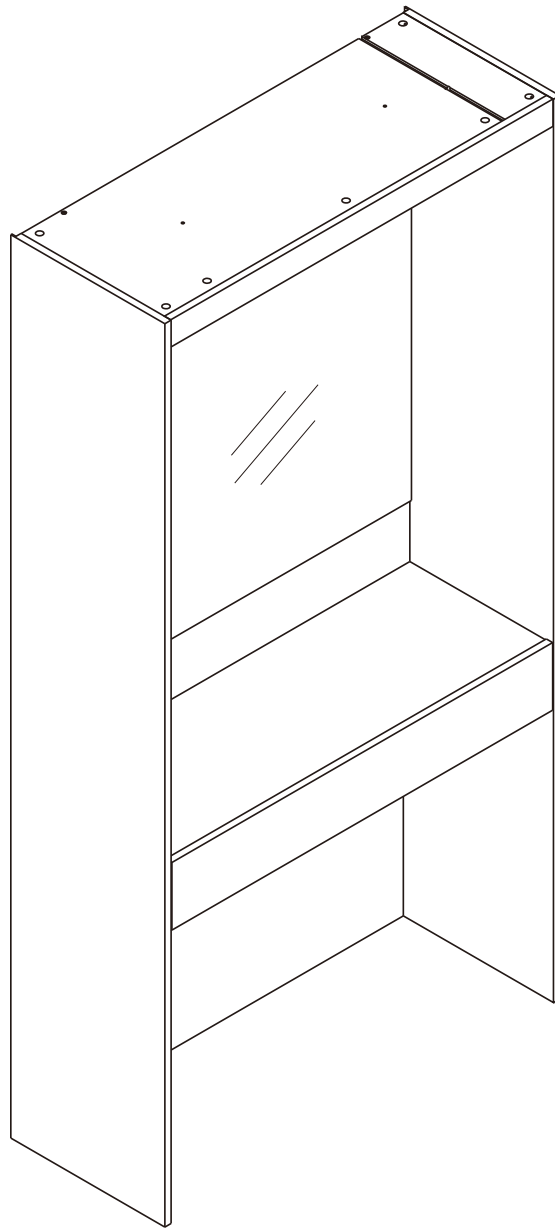


ITAL-SMART

Dressing Stand 100 cm.



CONNECT SYSTEM

1

2

(Connecting bolts)

3

WHEN FITTING CAMS
 ENSURE STARTING POSITION IS CORRECT
 BEFORE YOU INSERT CONNECTING BOLT
 TURN CLOCKWISE UNTIL SECURE

✓		✗		✗
↑		↓		↓
CORRECT		WRONG		

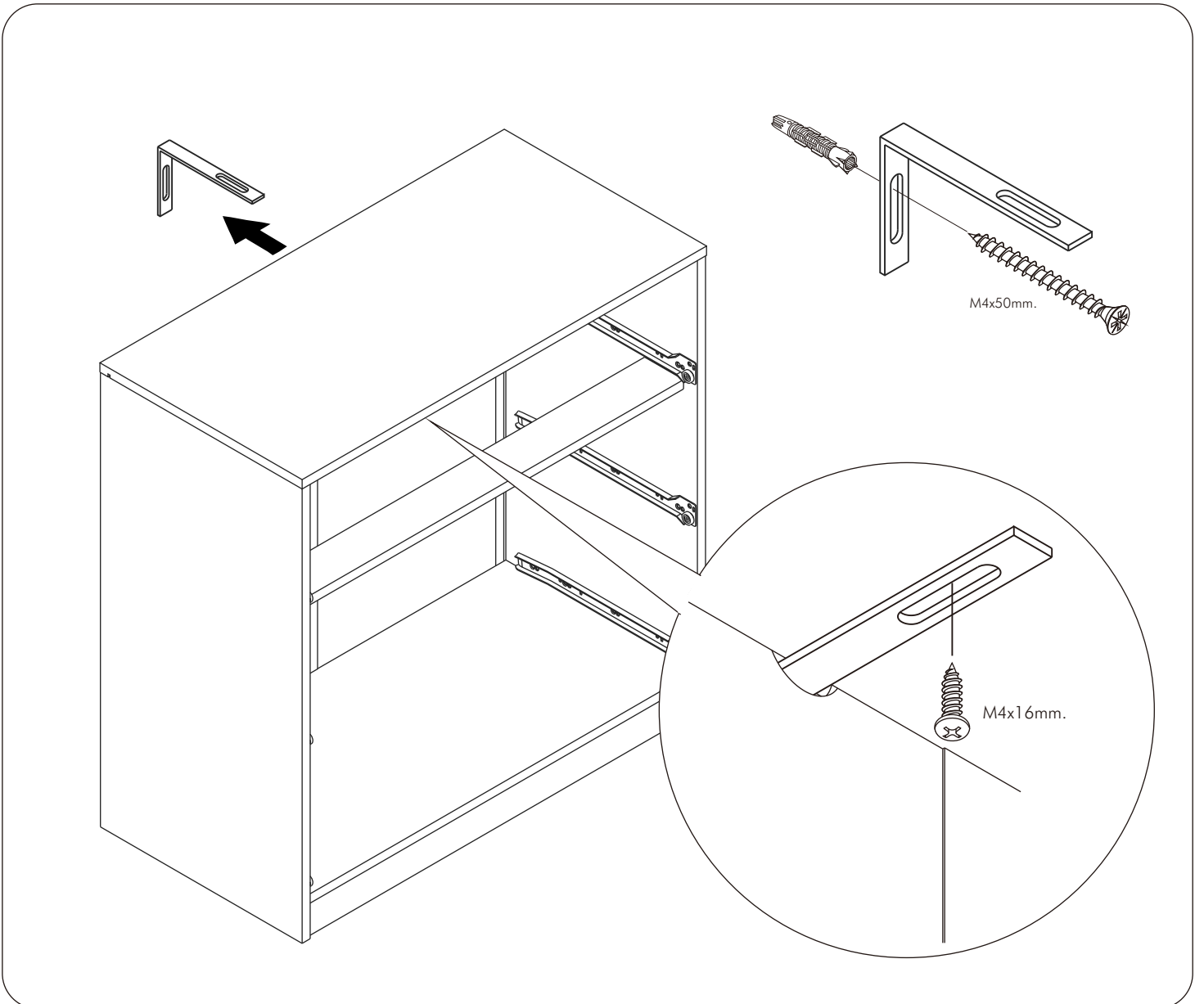
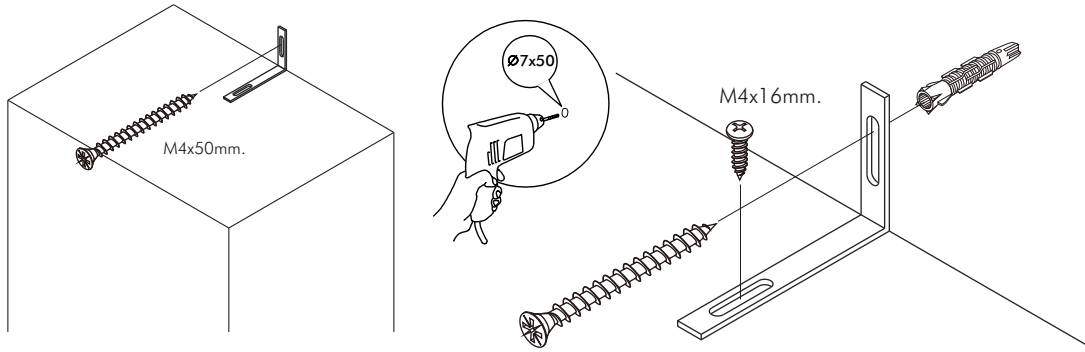
1

M4x16mm.

2

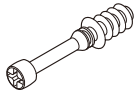
M3.5x13mm.

i



HARDWARE

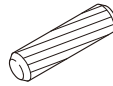
-BODY SET



x 21

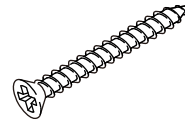


x 21



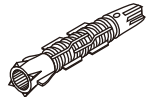
8x35mm.

x 31

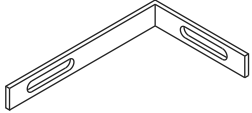


M4x40mm.

x 2



x 1

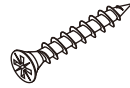


x 1



M4x16mm.

x 3



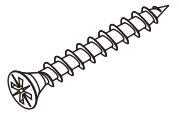
M3.5x25mm.

x 12



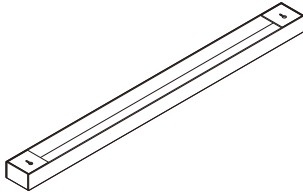
M4x50mm.

x 1



M4x30mm.

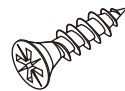
x 4



x 1

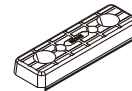


x 2



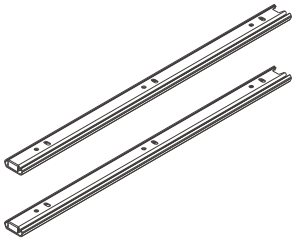
M4x16mm.

x 8



x 4

-DRAWER SET

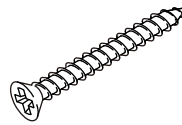


x 1



M3.5x13mm.

x 6



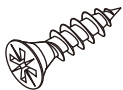
M4x40mm.

x 12



M6x23mm.

x 3



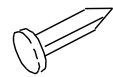
M4x16mm.

x 6

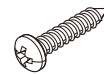
-LAMP SET



x 5



x 5



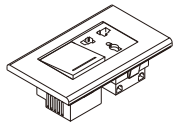
#5x3/4"

x 2

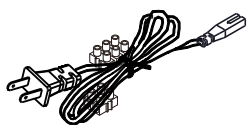


M3.5x13mm.

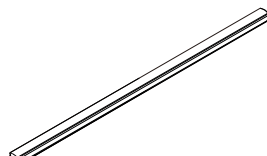
x 4



x 1



x 1

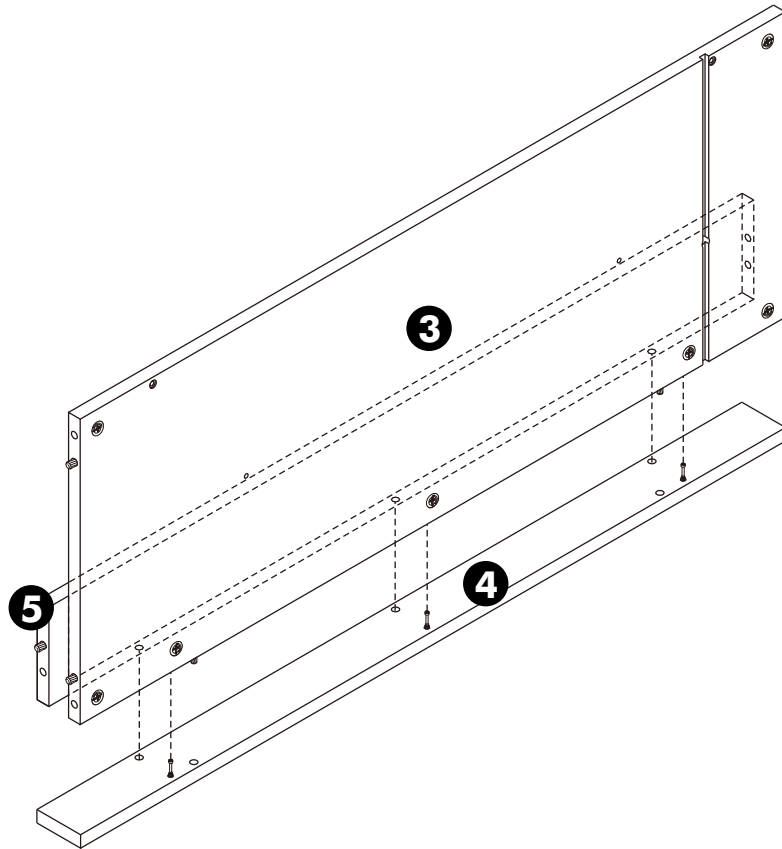


x 1

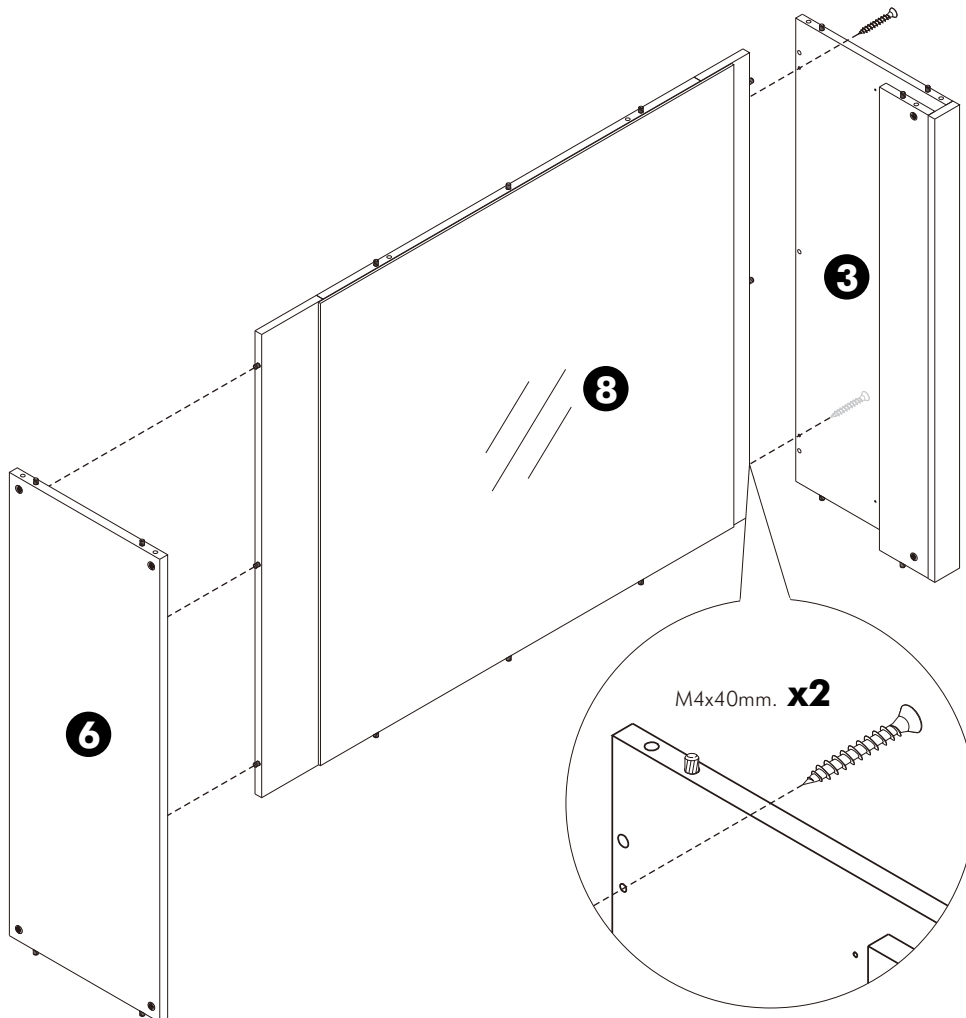
ASSEMBLY

-BODY SET

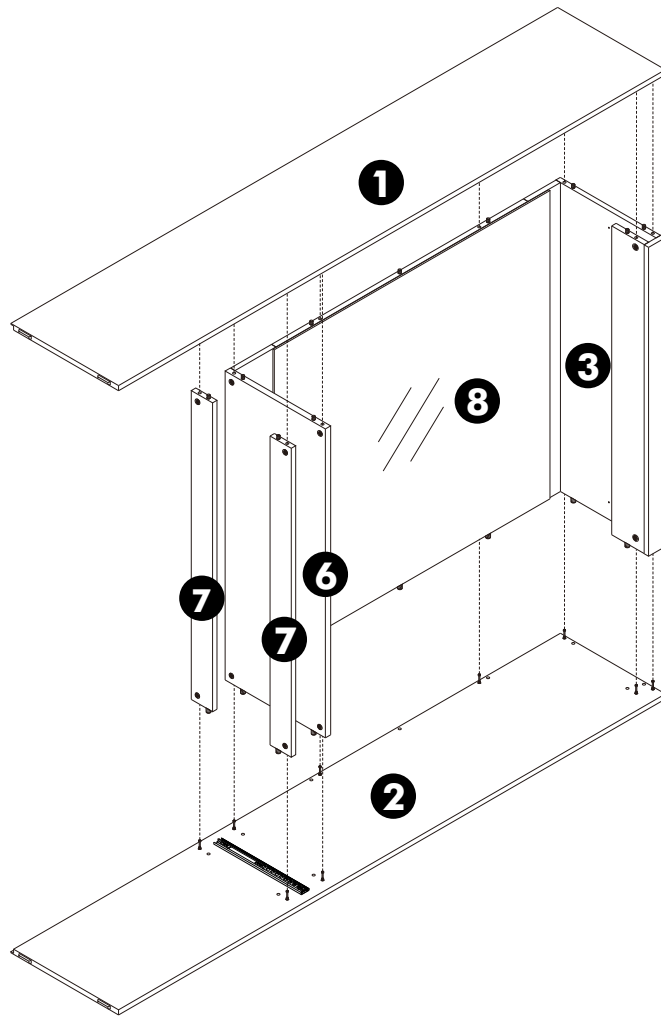
1.



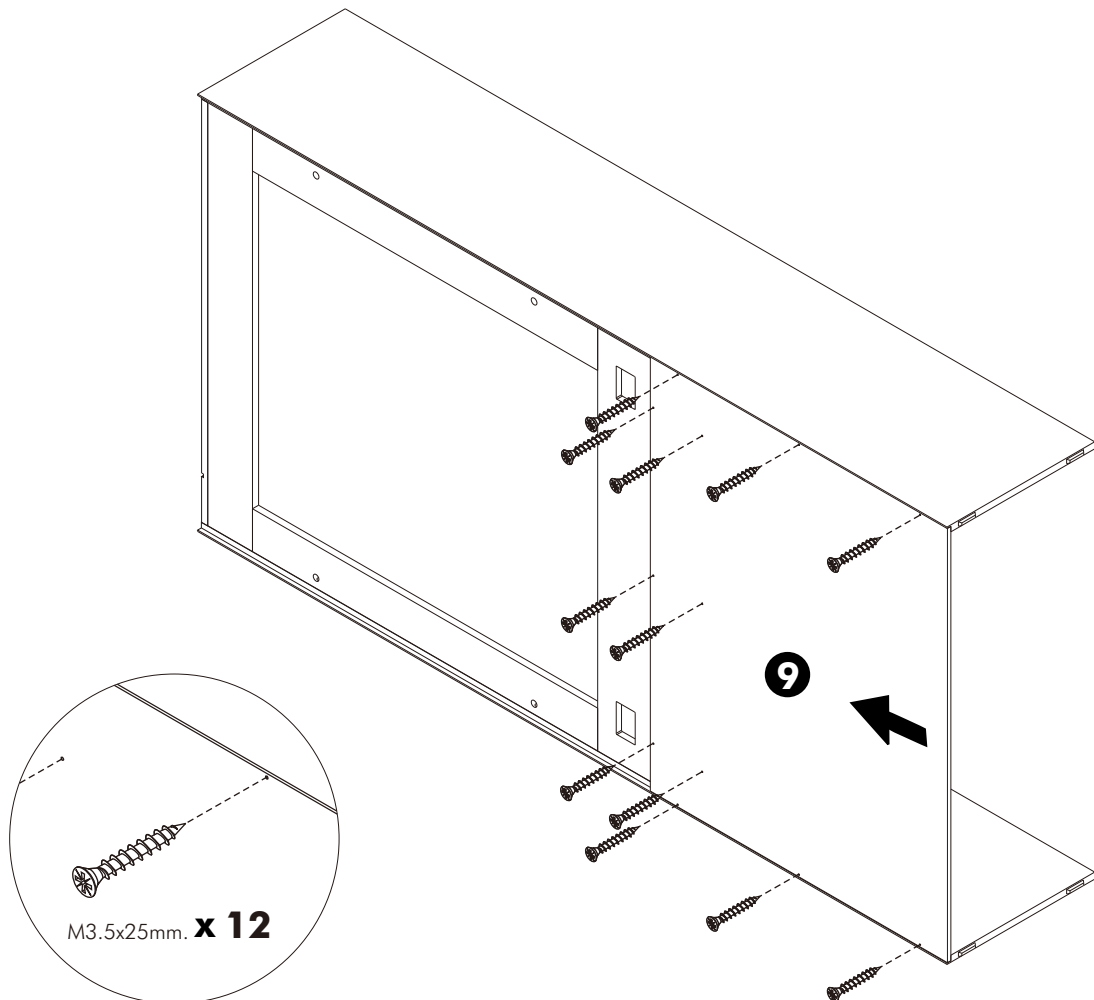
2.



3.

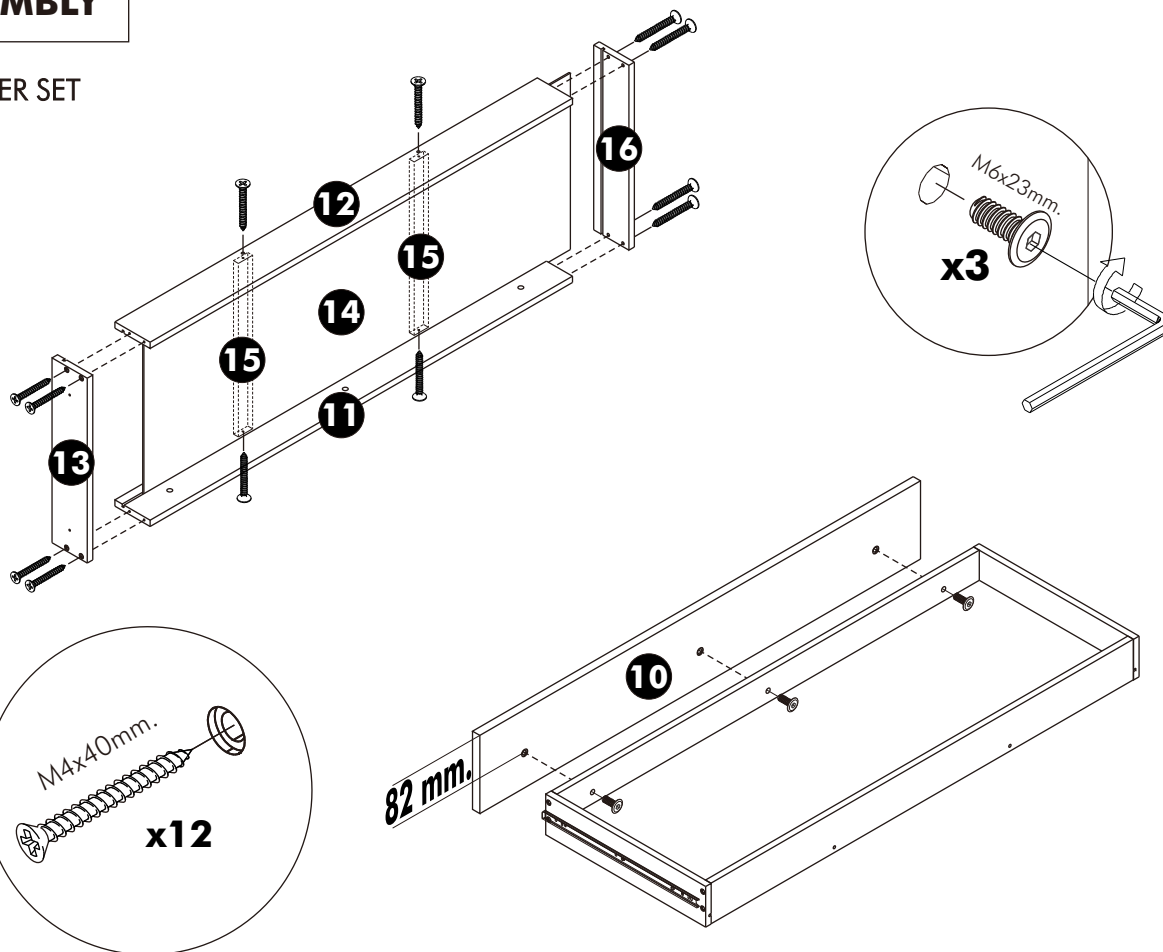


4.

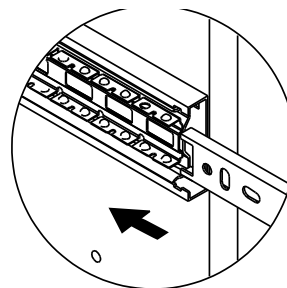
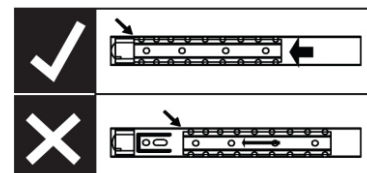
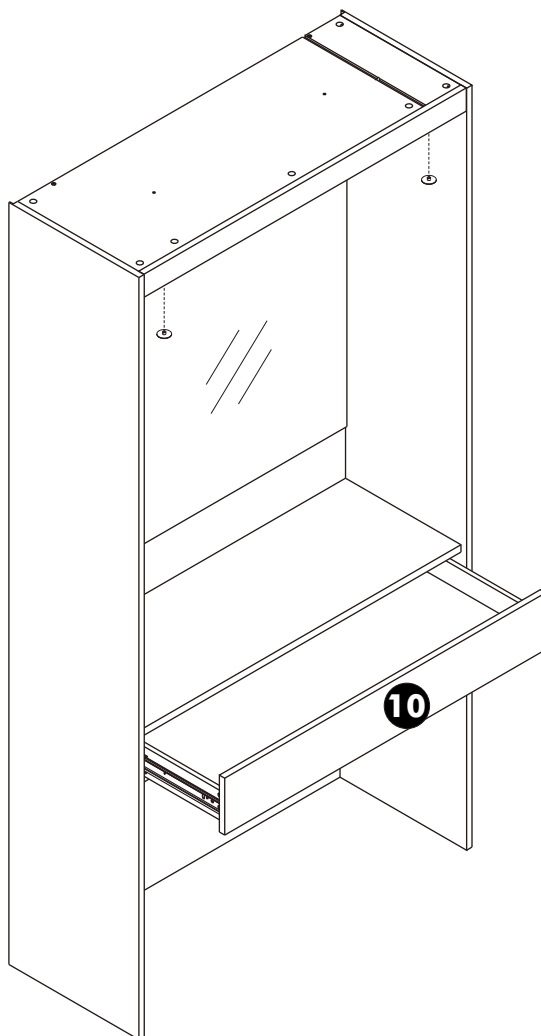
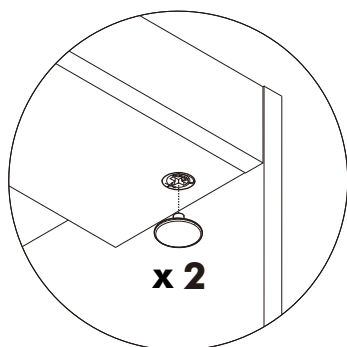


ASSEMBLY

-DRAWER SET

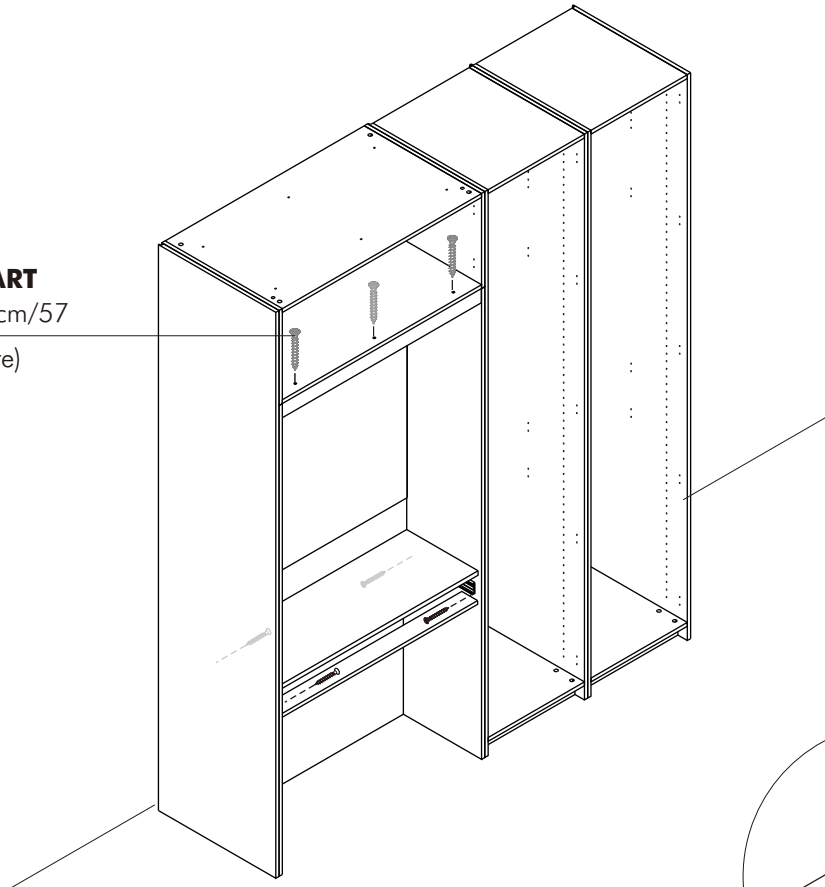


5.





ITAL-SMART
Top box 100cm/57
(Hardware)



ITAL-SMART
Top box 100cm/57
(Hardware)

