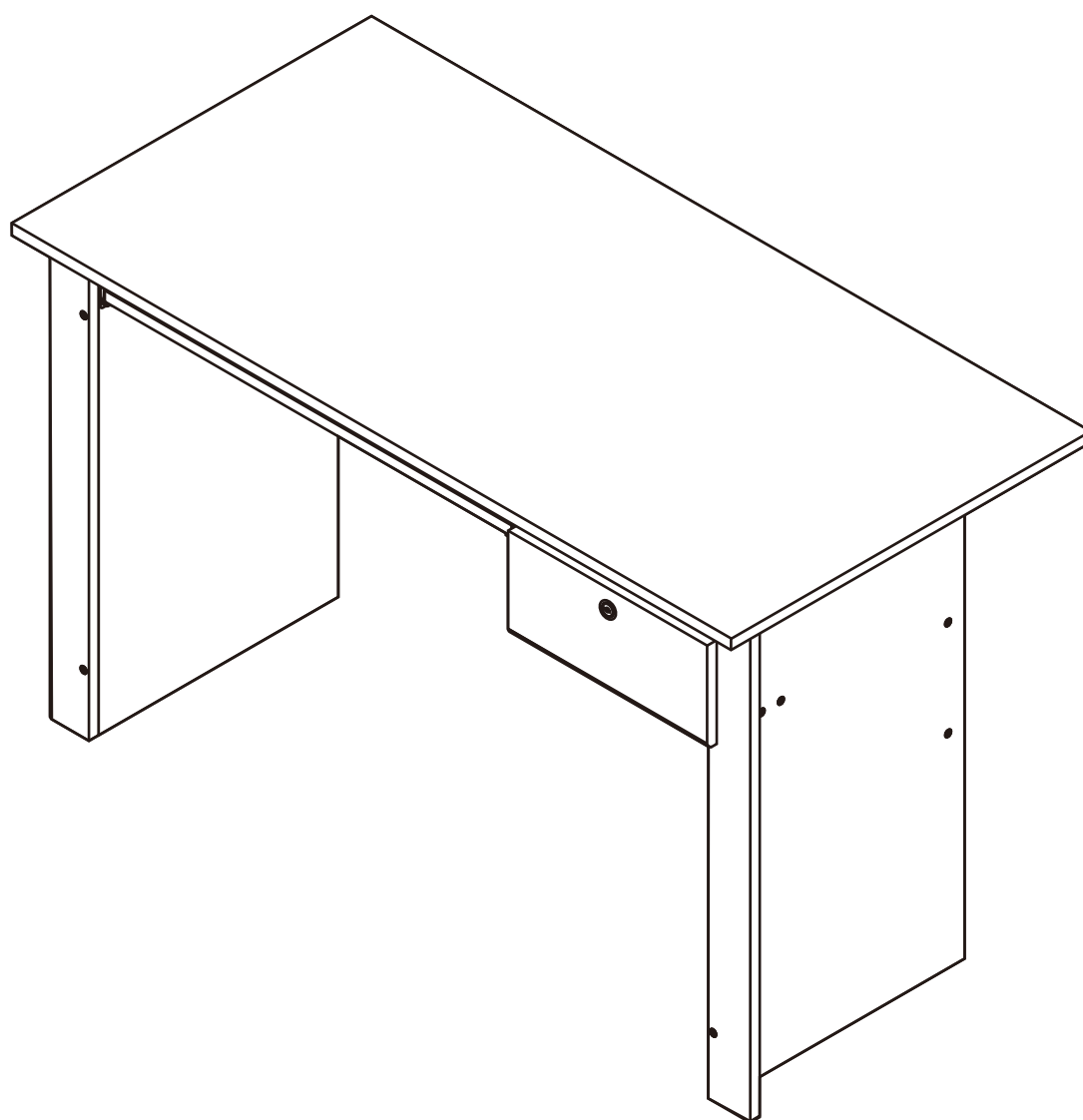
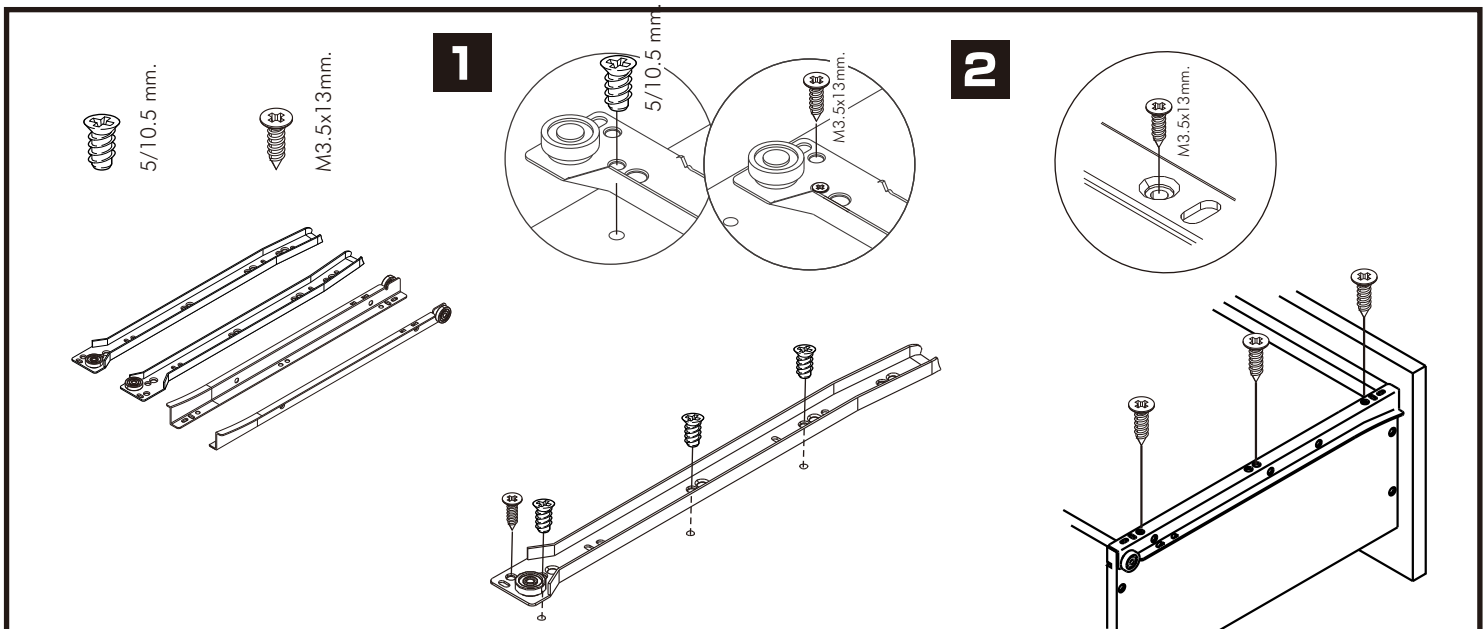
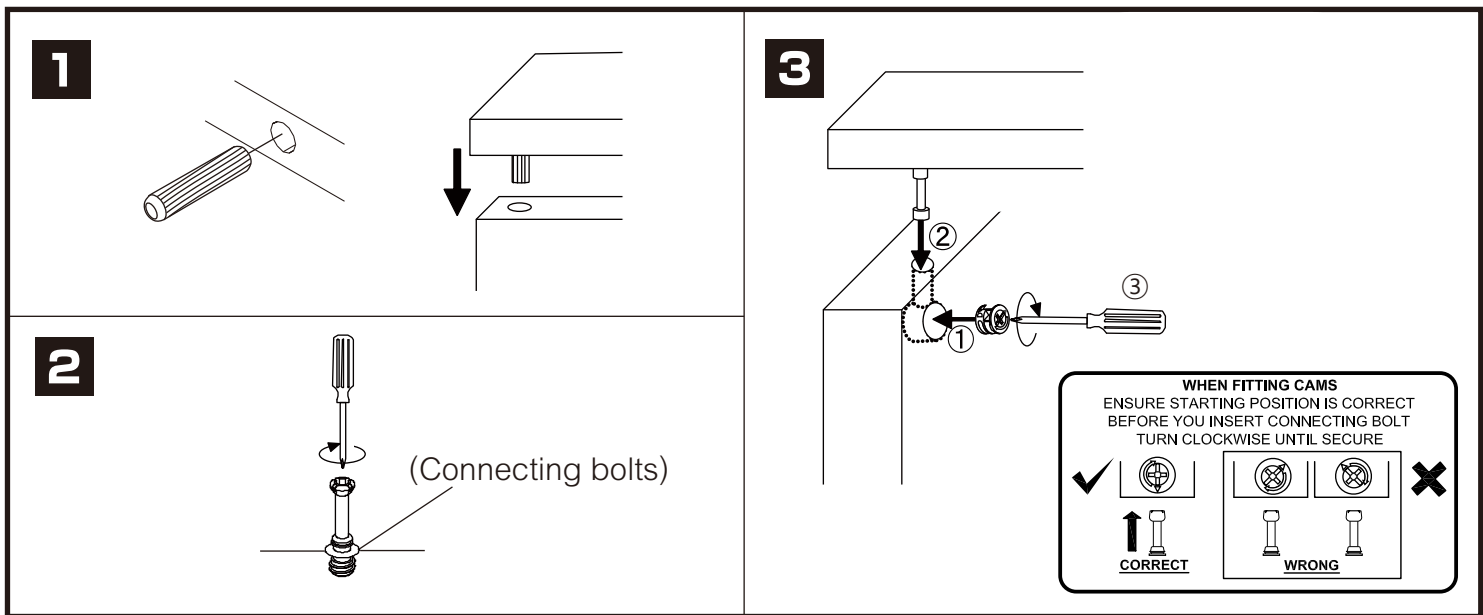


H-LARA/P2

Computer table 120 cm.



CONNECT SYSTEM



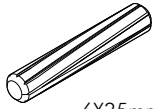
HARDWARE

-BODY SET



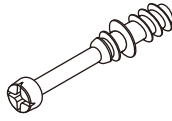
M4X40mm.

X 16



6X35mm.

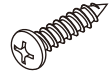
X 32



X 8



X 8

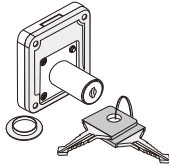


6x5/8"

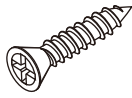
X 2



X 14

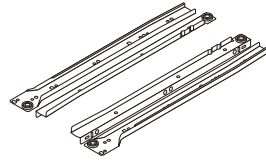


X 1



M3.5x20

X 4

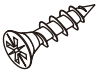


X 1 SET



M5x10.5

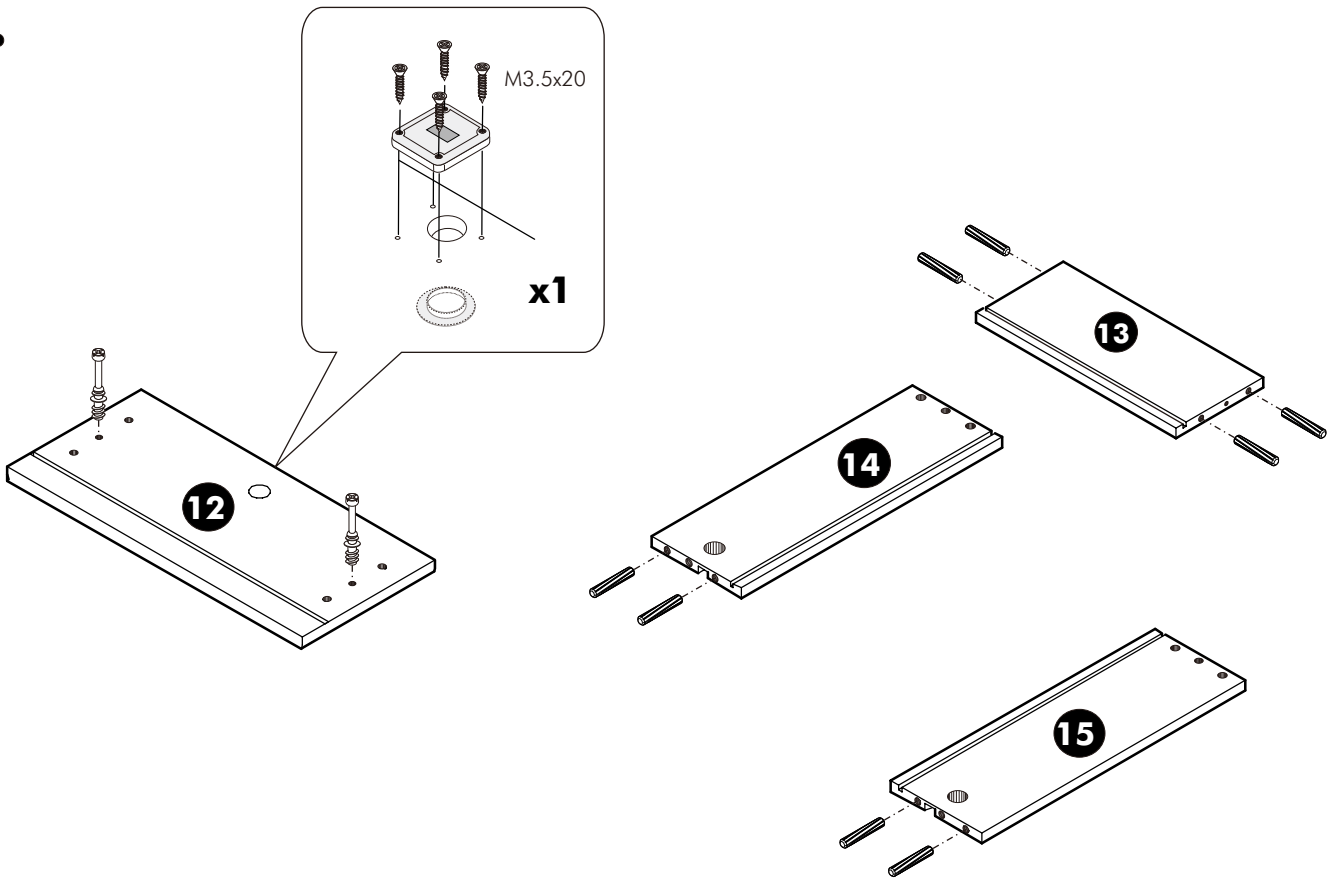
X 6



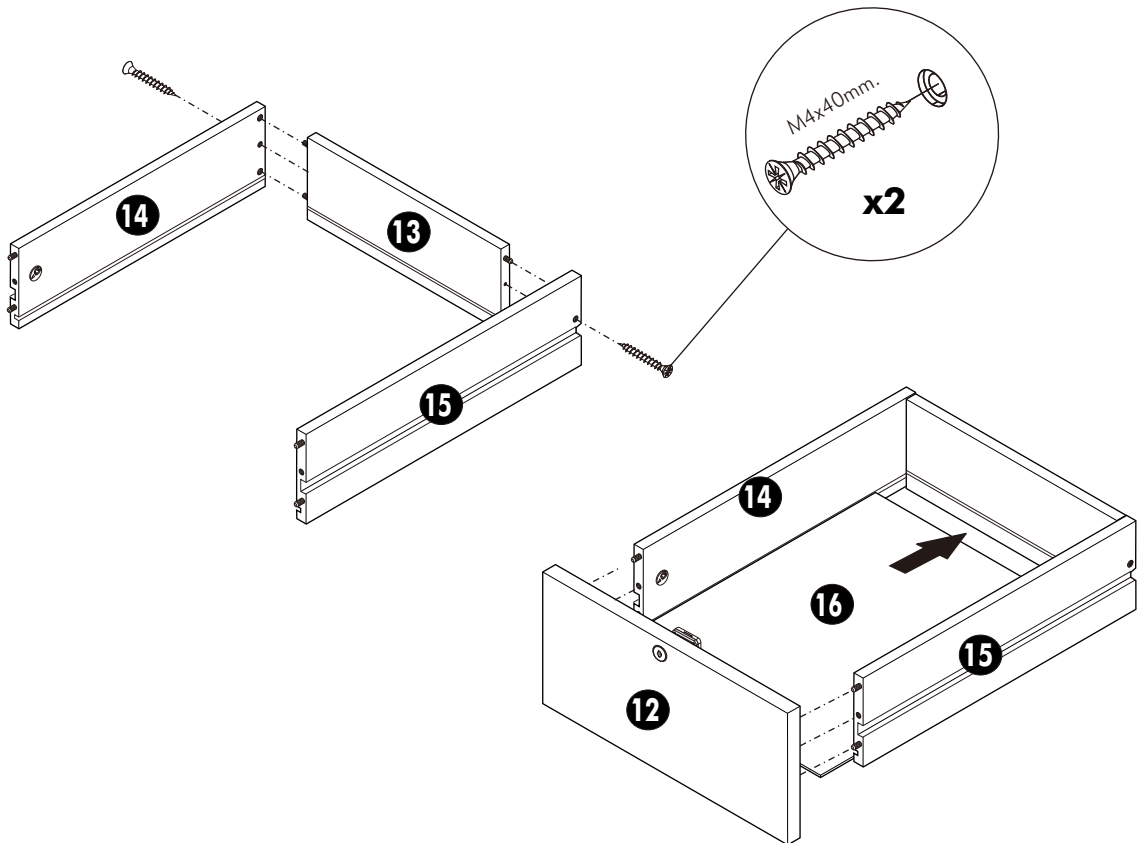
#M3.5x13

X 6

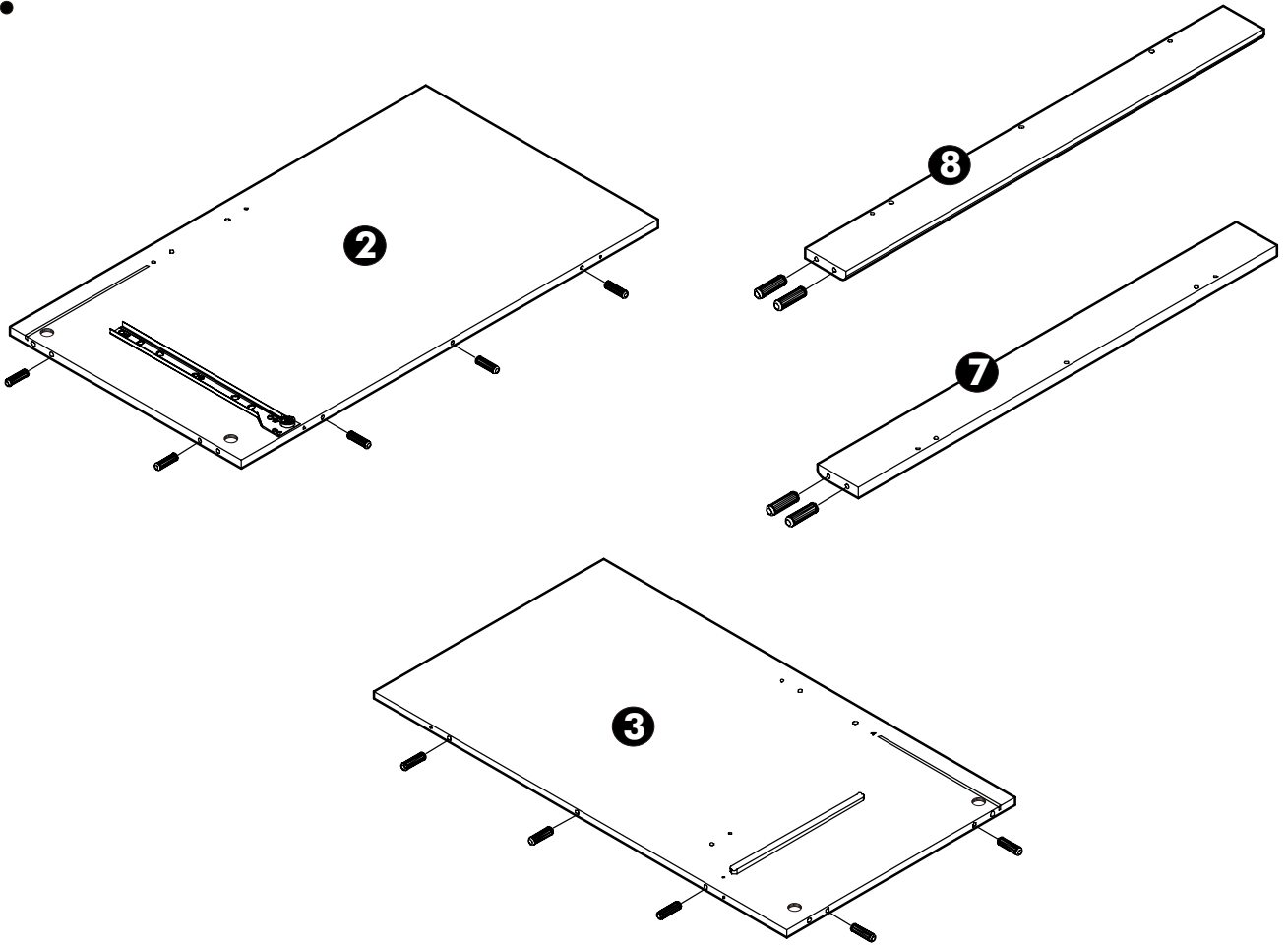
1.



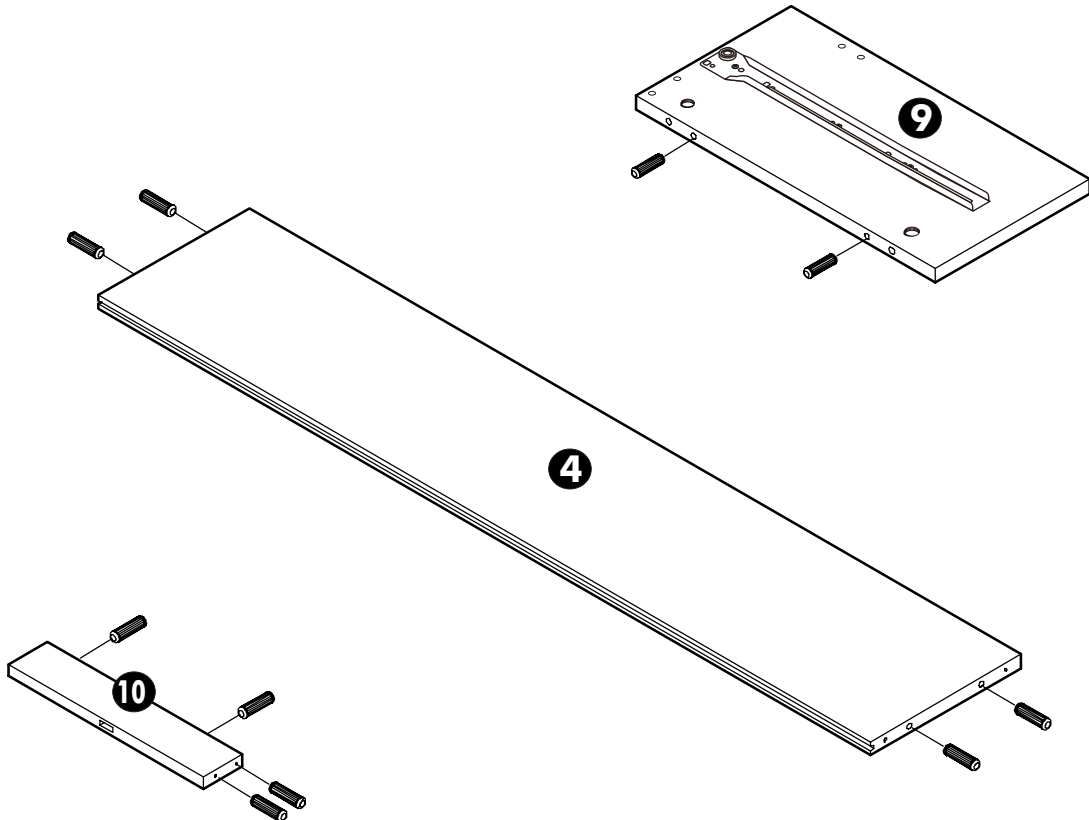
2.



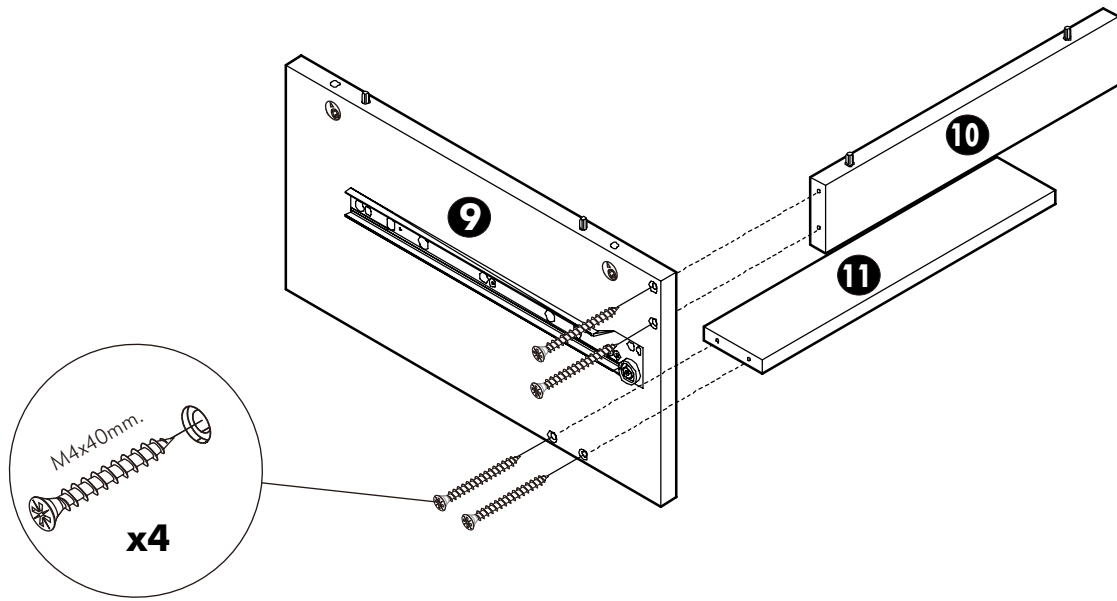
3.



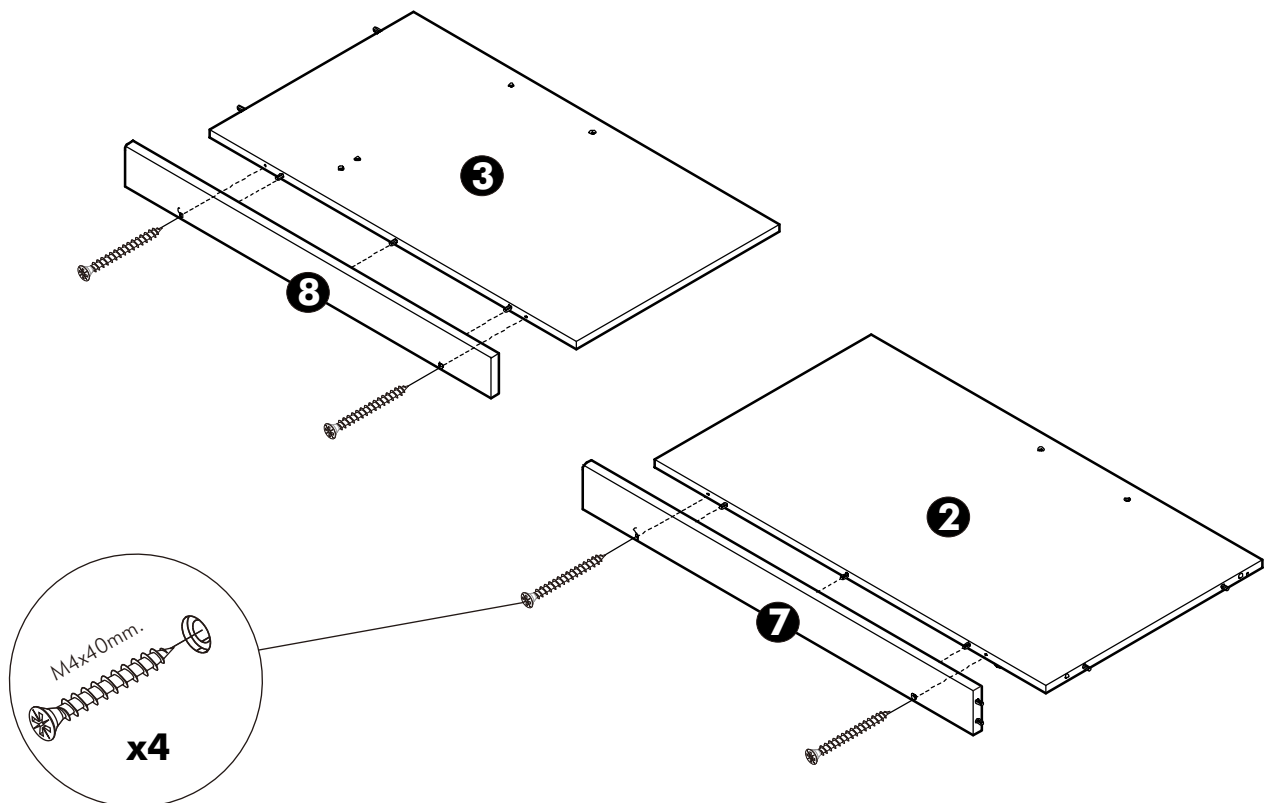
4.



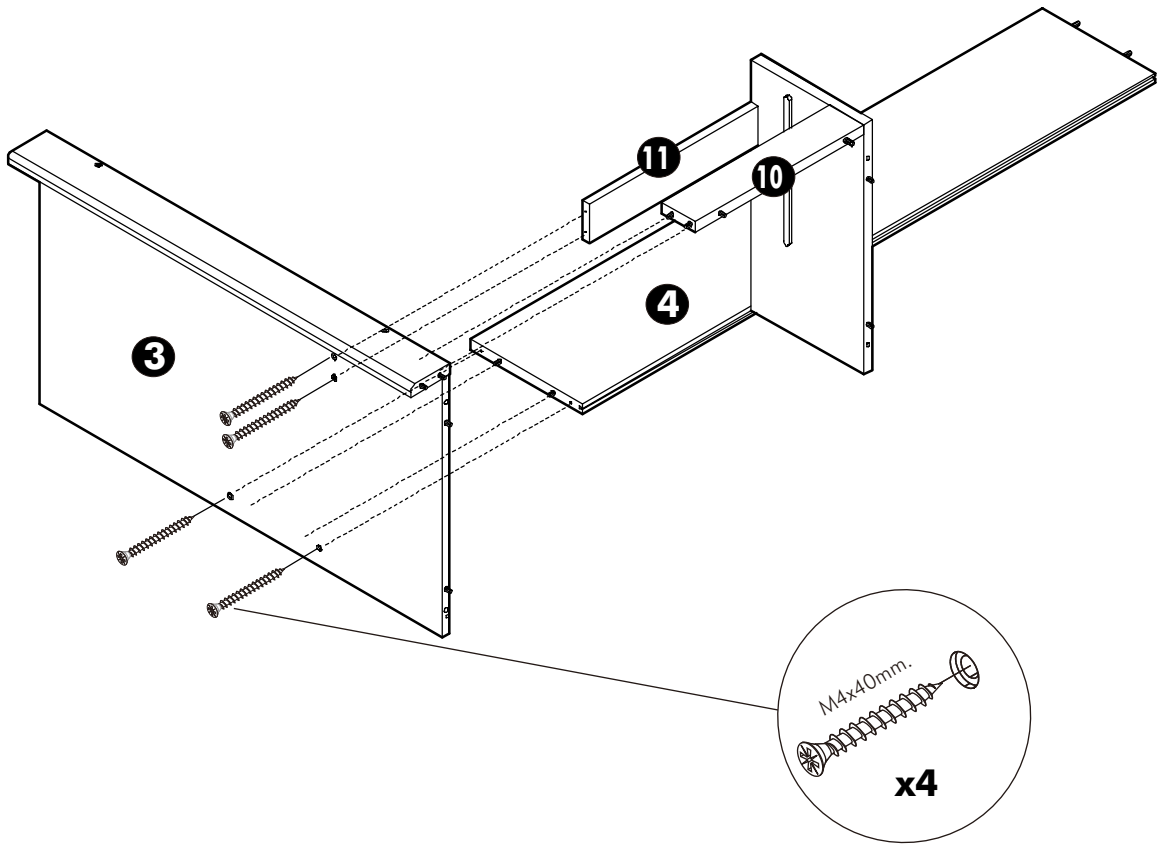
5.



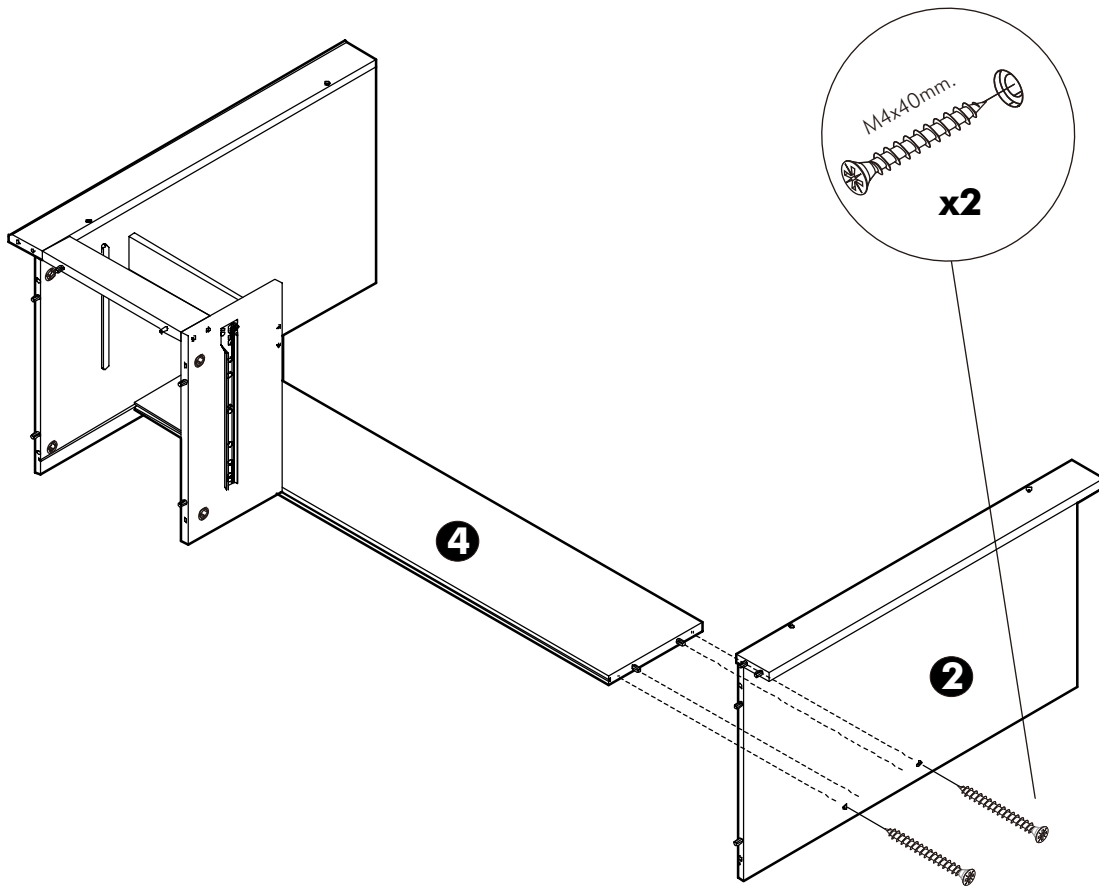
6.



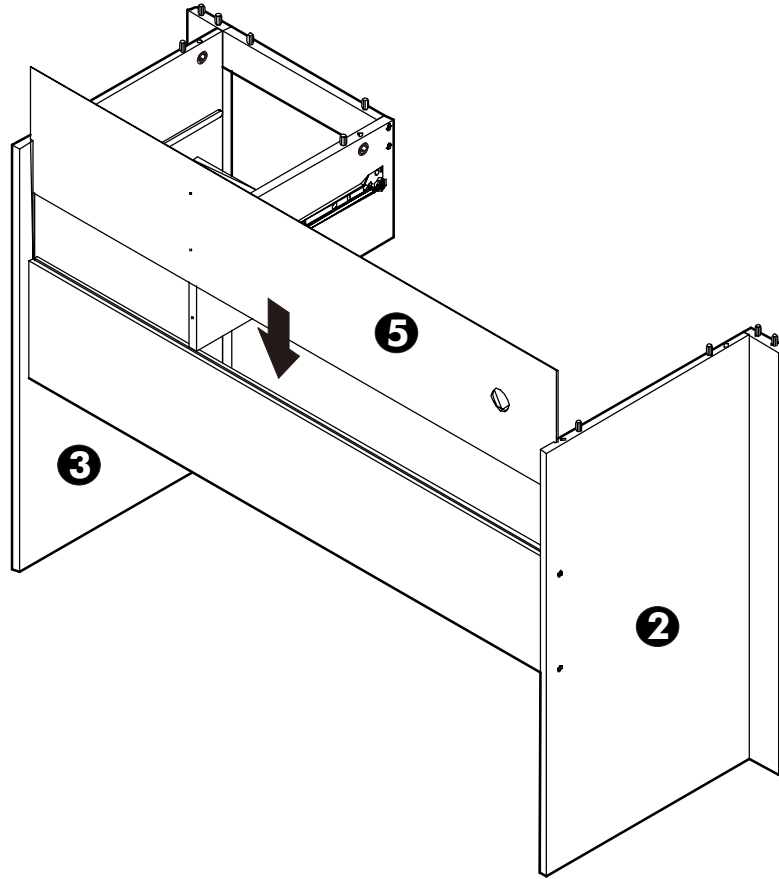
7.



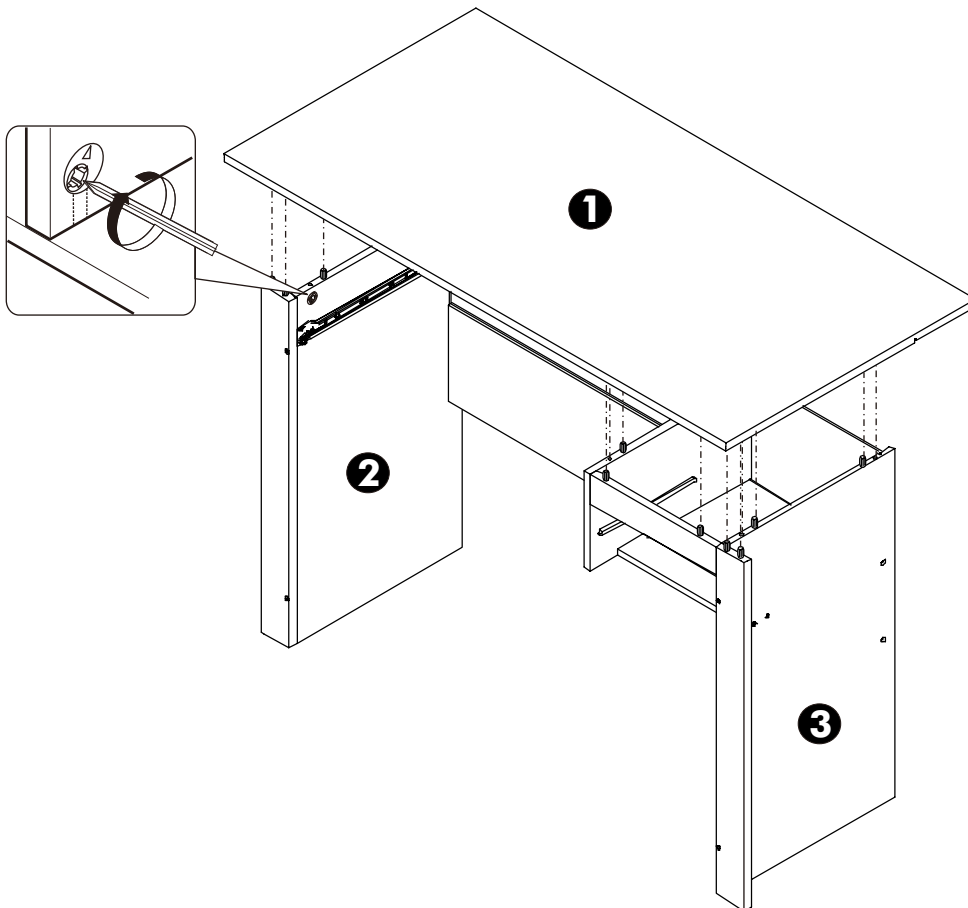
8.



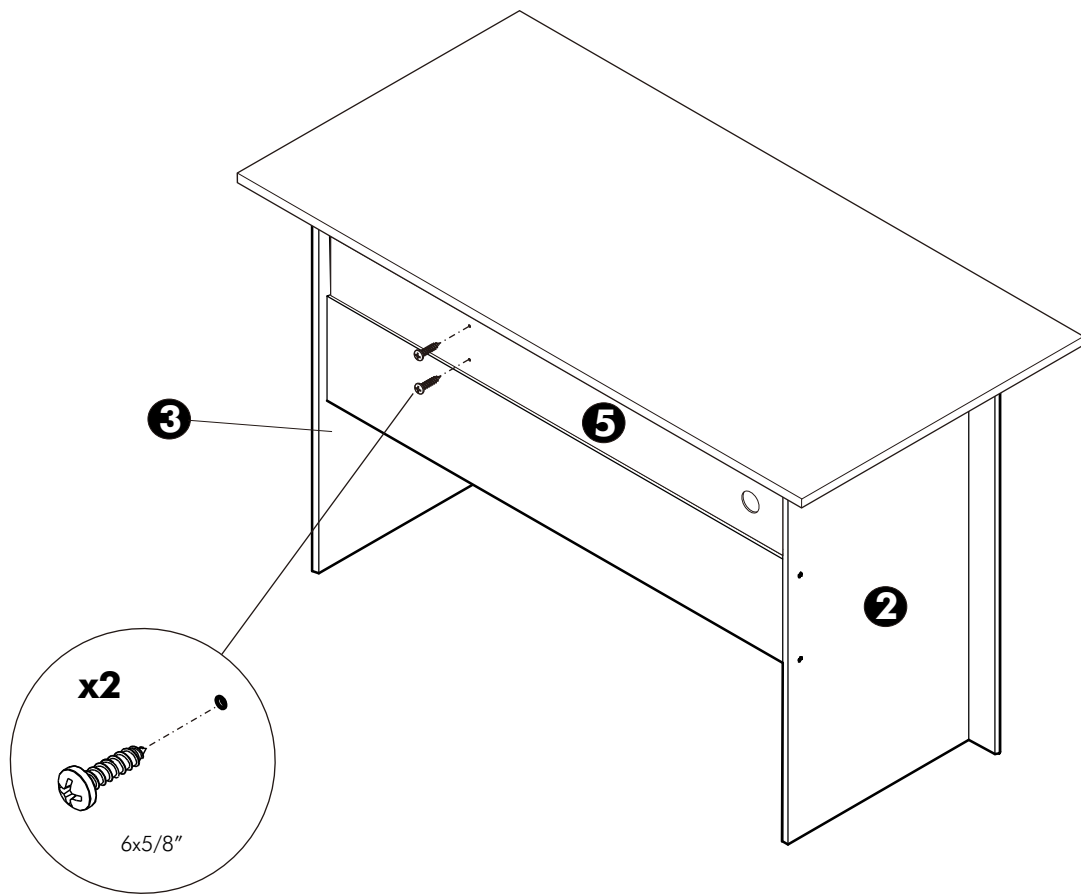
9.



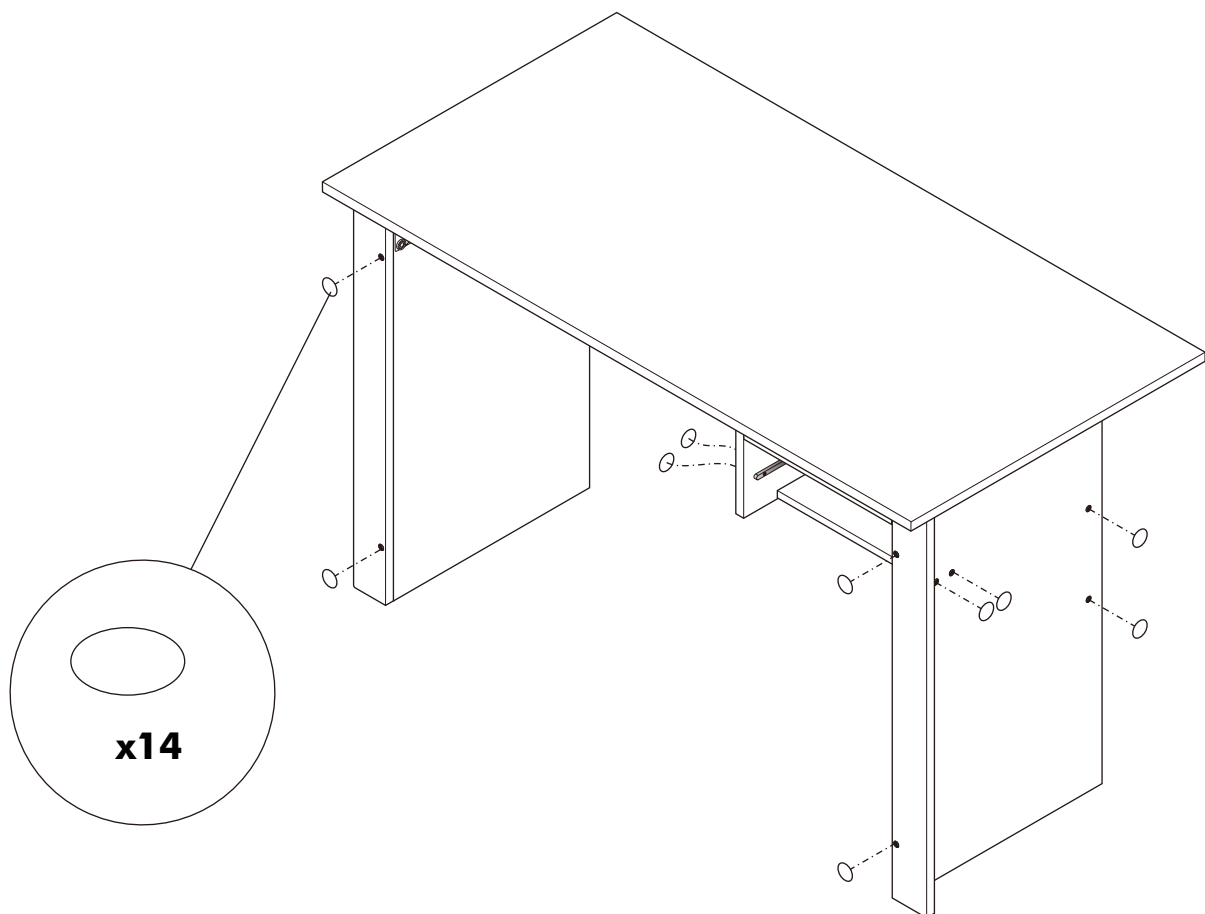
10.



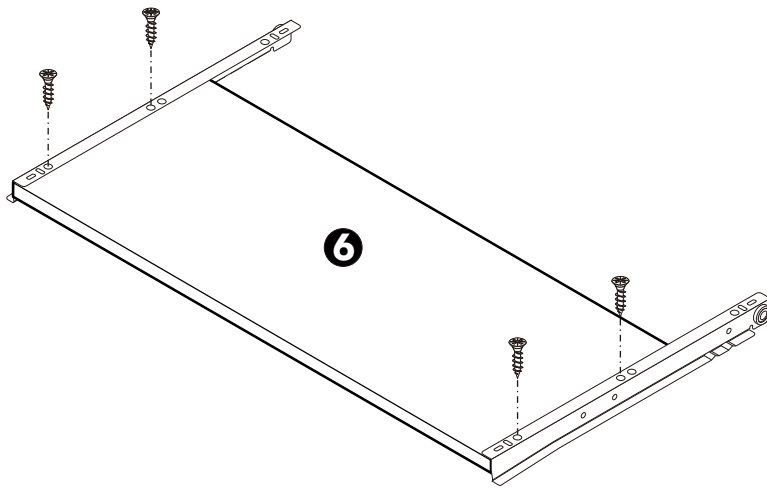
11.



12.



13.



14.

