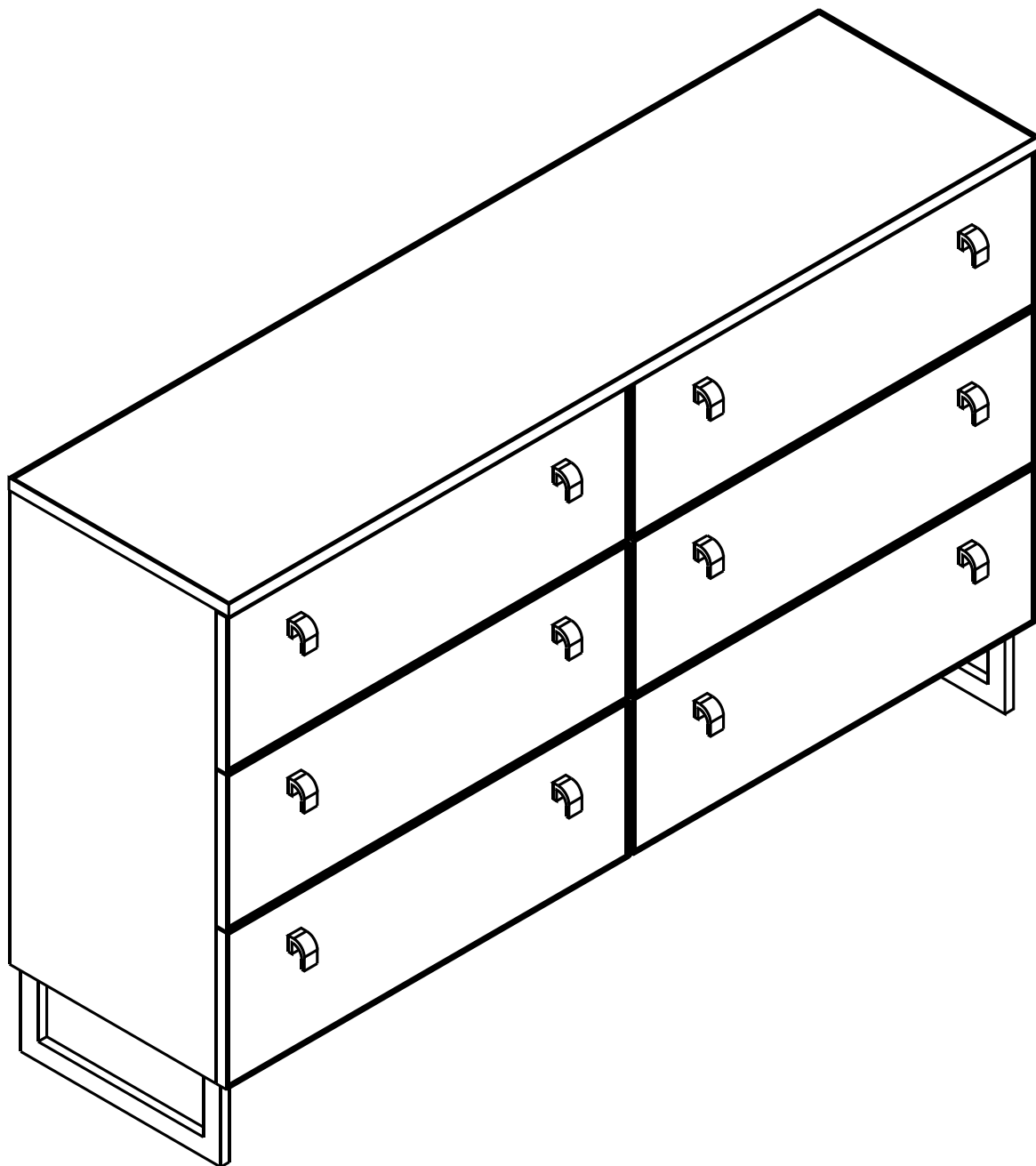
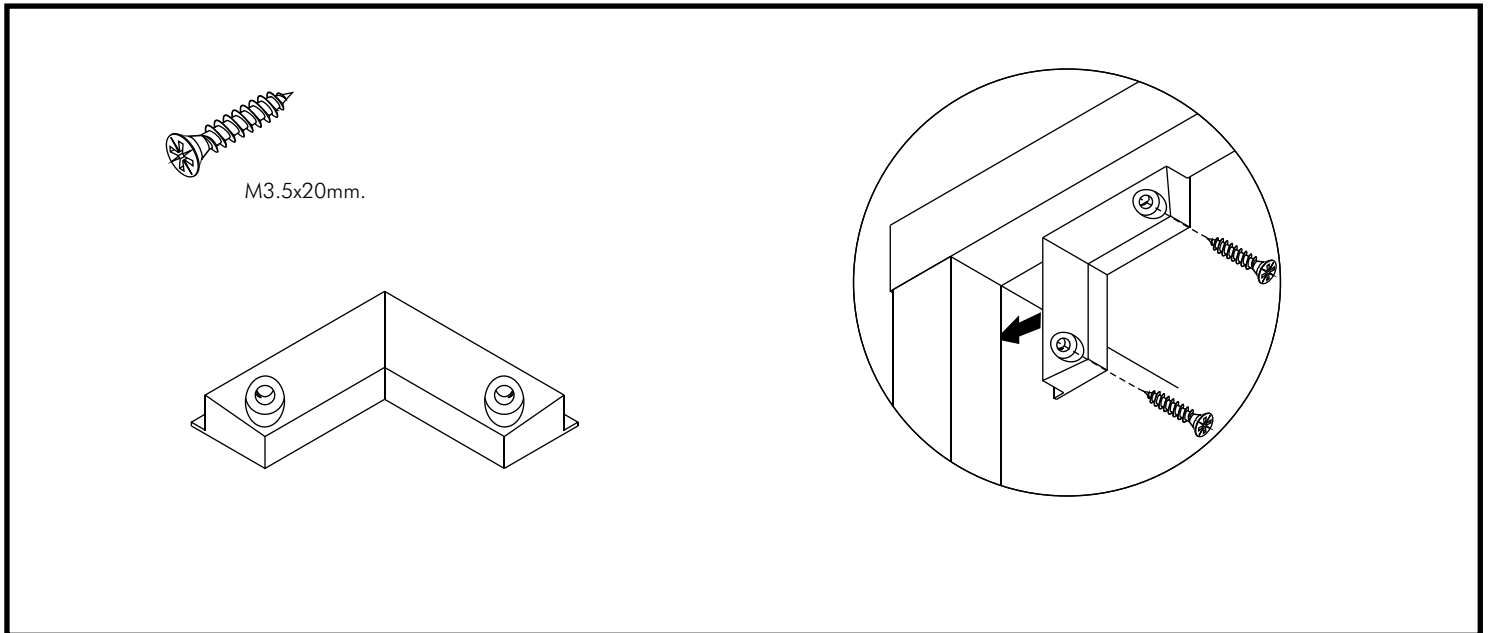
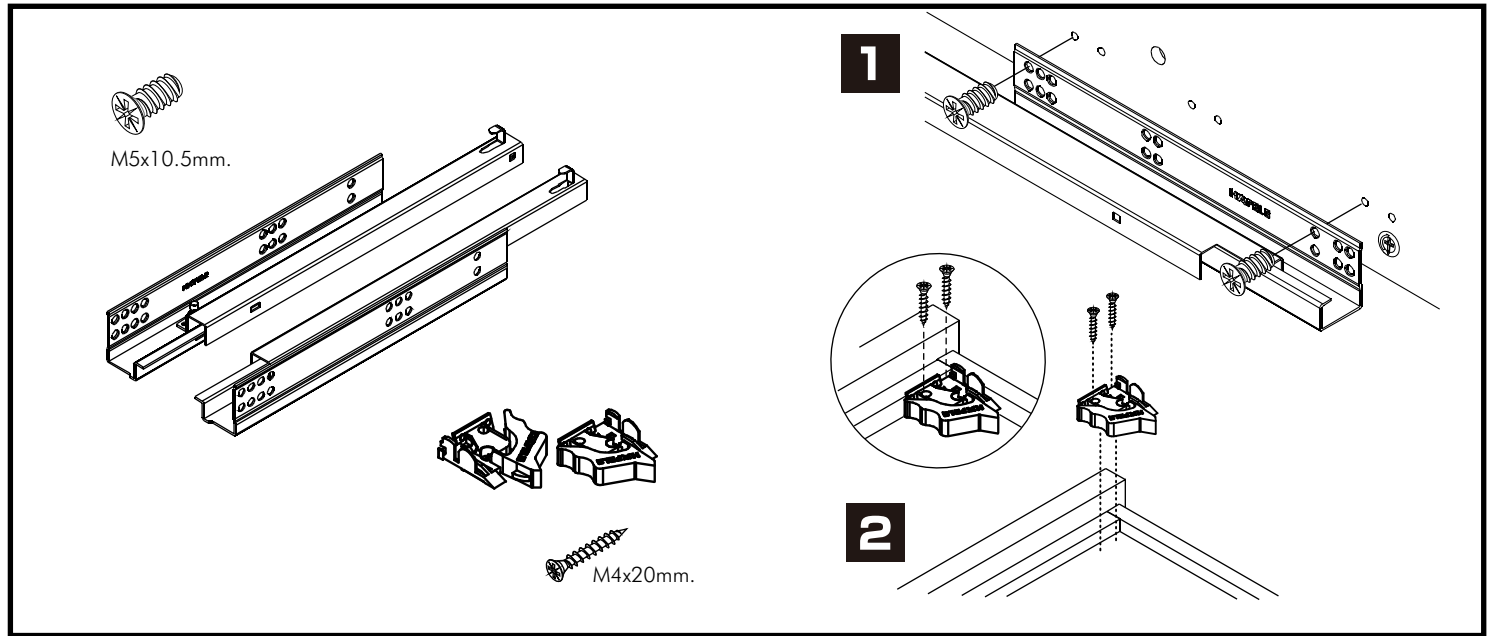
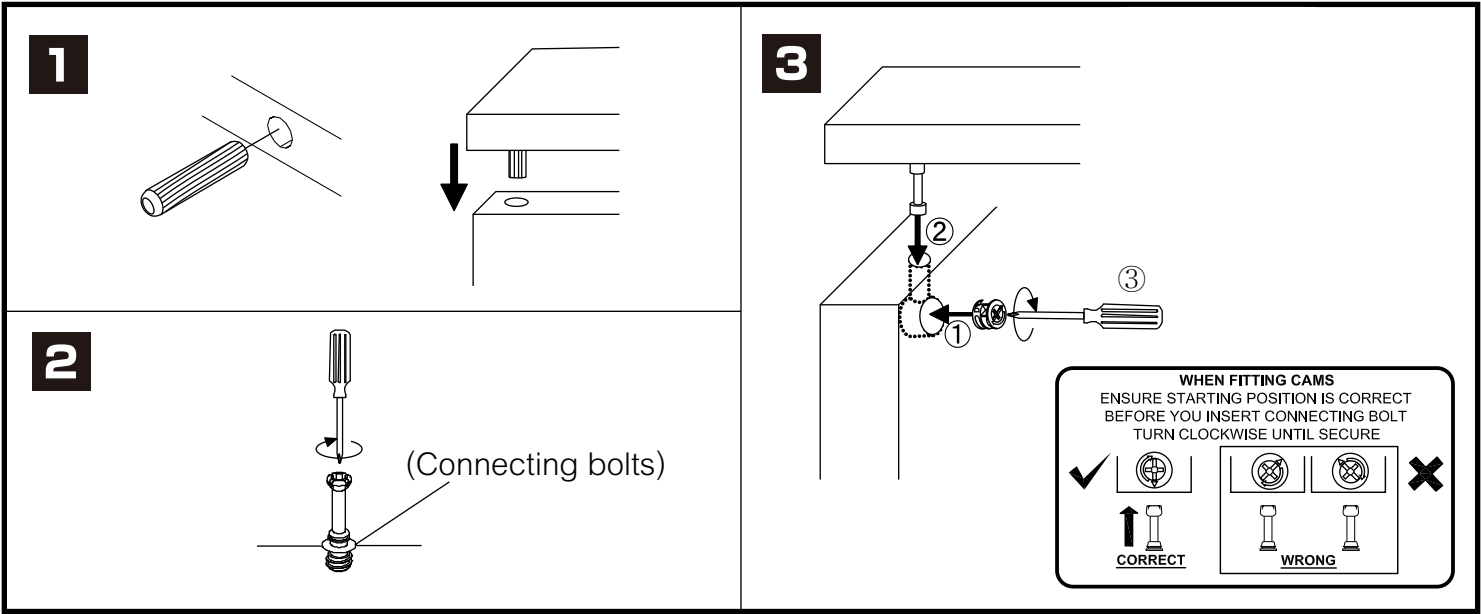


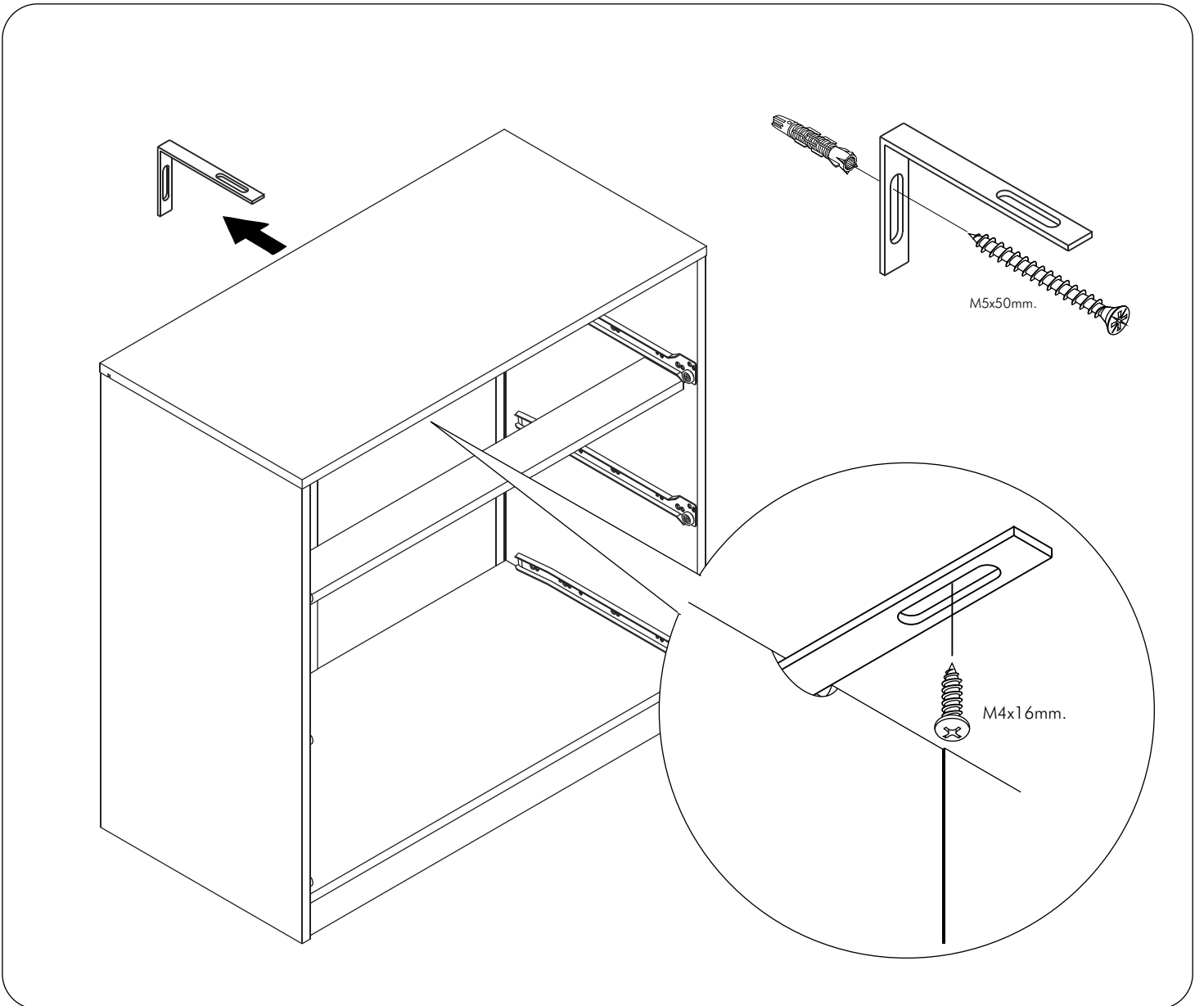
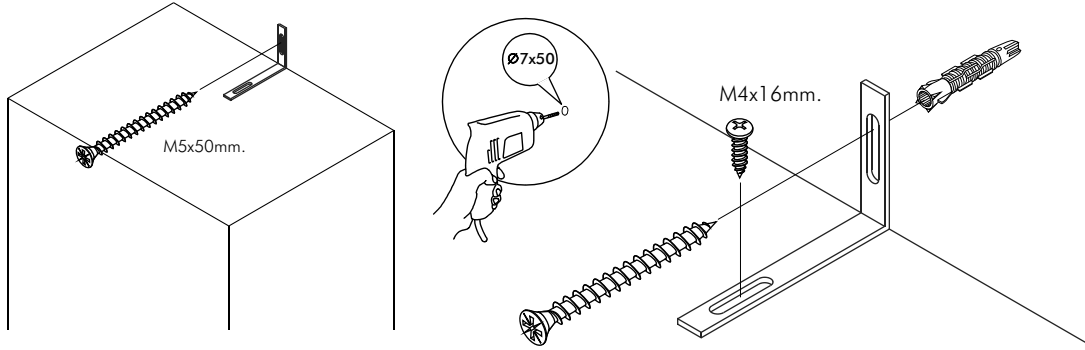
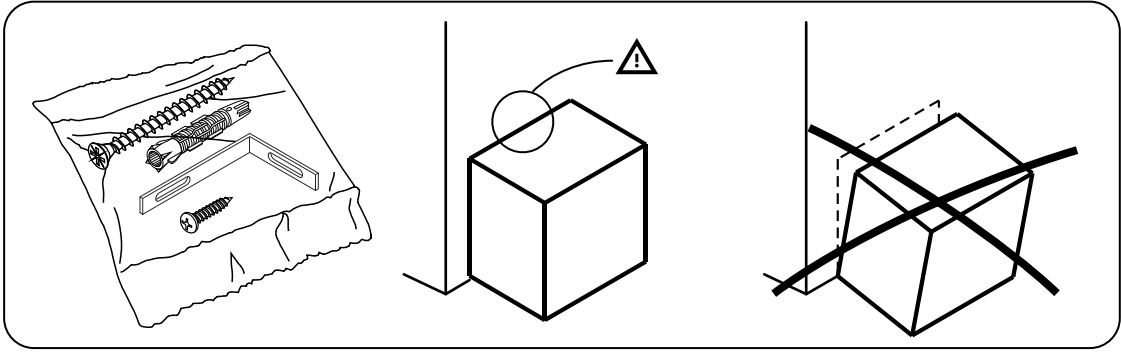
# CORSICA

6 drawers 150 cm.



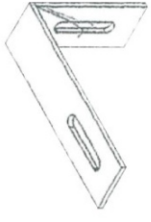
# CONNECT SYSTEM



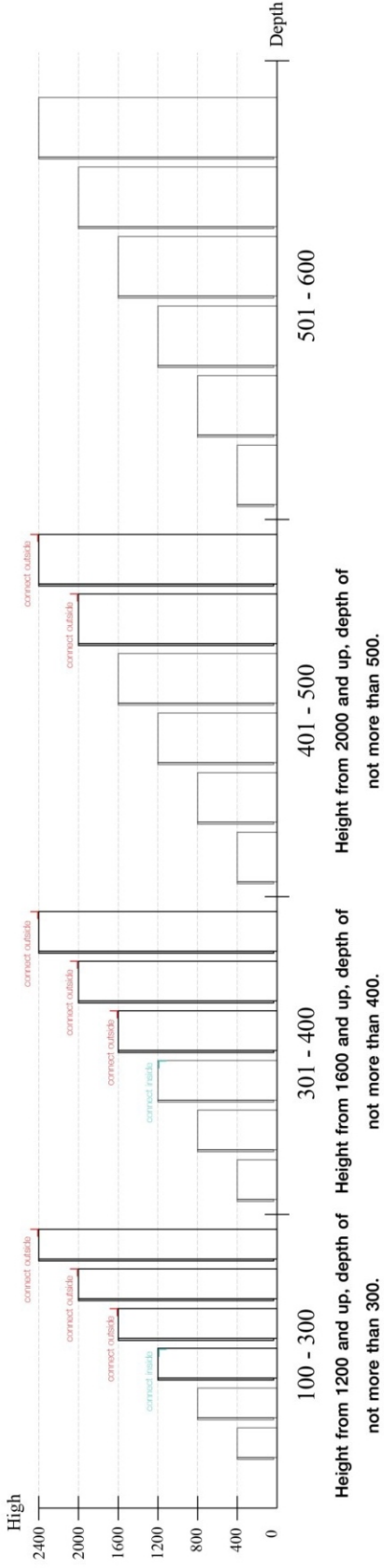


**The Standard for identifying which mounted safety fall protection fitting to use** **Note : That children's products must be installed with all anti-falling fittings.**

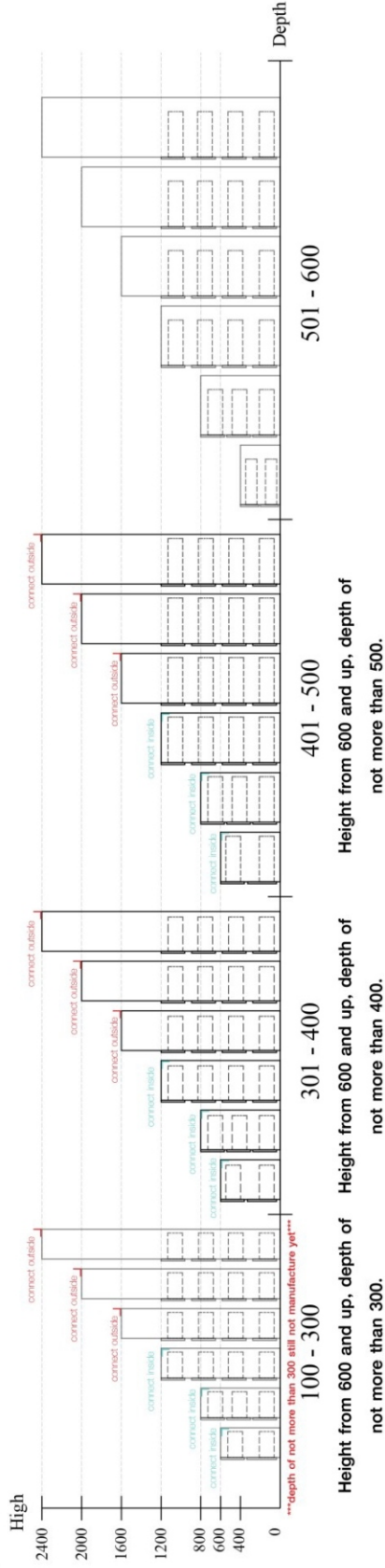
■ Mounted fall protection fittings



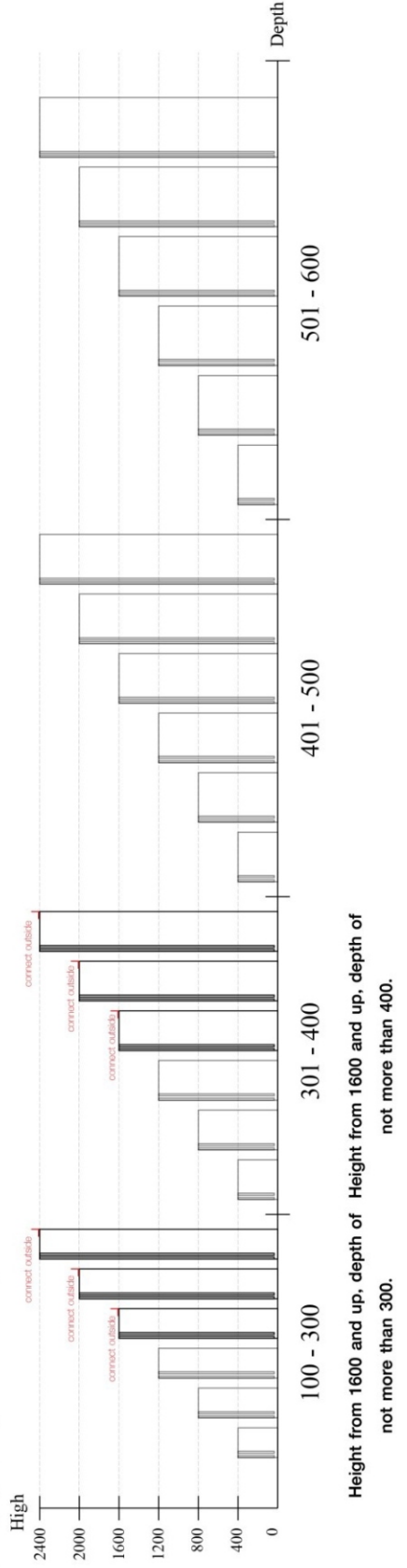
■ Category : Cabinet with open doors



■ Category : Chest of drawers



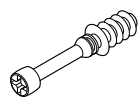
■ Category : Sliding door cabinet / Open cabinet



\*\*\*depth of not more than 300 still not manufacture yet\*\*\*

# HARDWARE

## -BODY SET

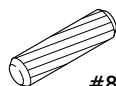


**x 18**



19mm.

**x 18**



#8x35

**x 20**



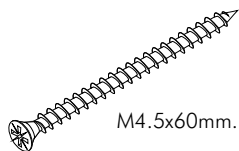
M4x16mm.

**x 17**



M4x25mm.

**x 16**

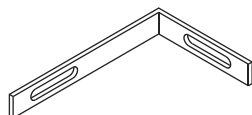


M4.5x60mm.

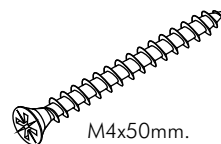
**x 1**



**x 1**

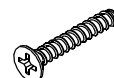


**x 1**



M4x50mm.

**x 2**

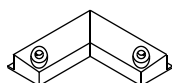


M3.5x20mm.

**x 8**



**x 8**



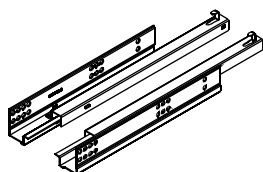
**x 4**



M4x20mm.

**x 8**

## -DRAWER SET

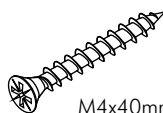


**x 6**



M3.5x13mm.

**x 12**



M4x40mm.

**x 72**



M6x23mm.

**x 30**



**x 1**

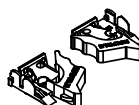


**x 12**



M4x18mm.

**x 12**



**x 6**



M4x20mm.

**x 24**



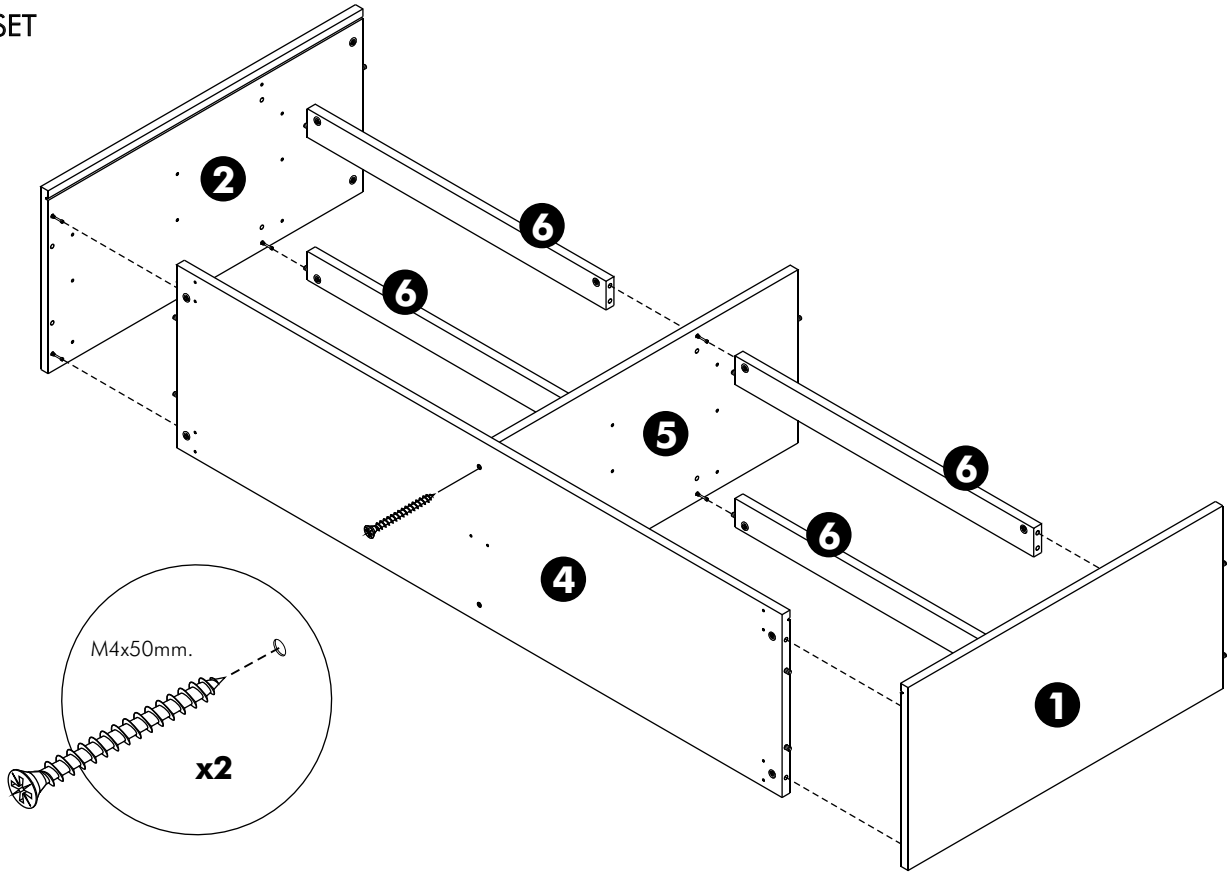
M5x10.5mm.

**x 36**

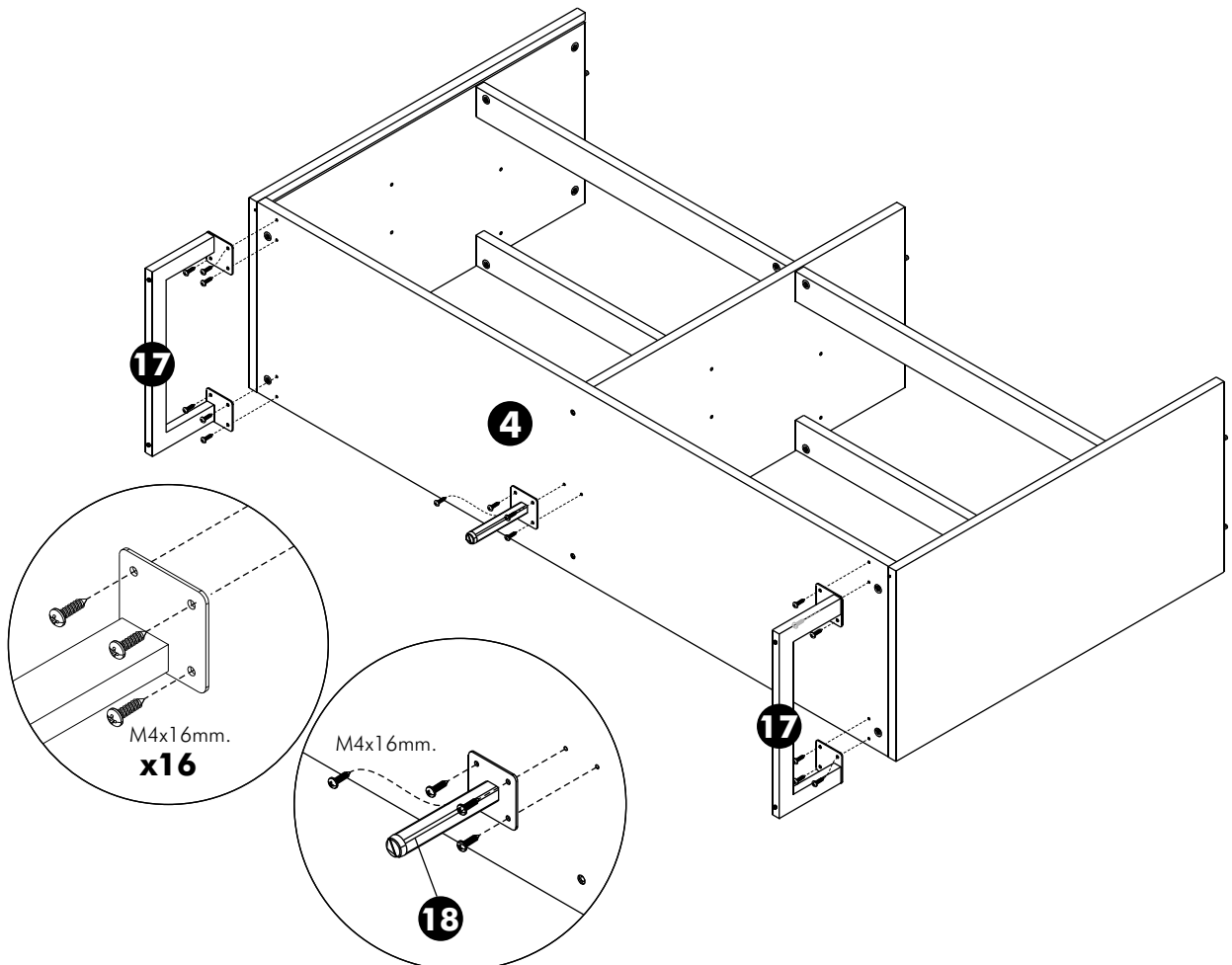
# ASSEMBLY

-BODY SET

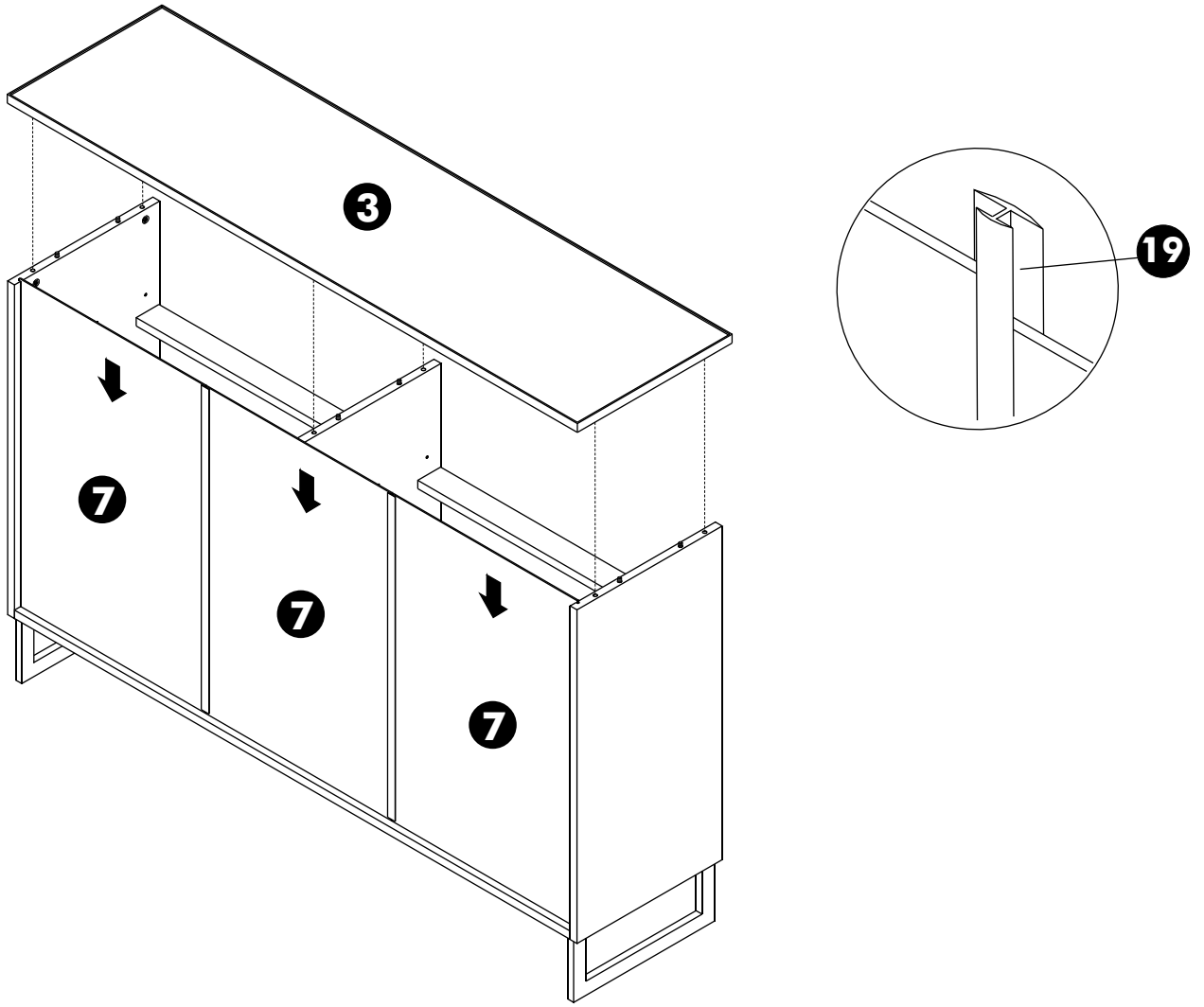
1.



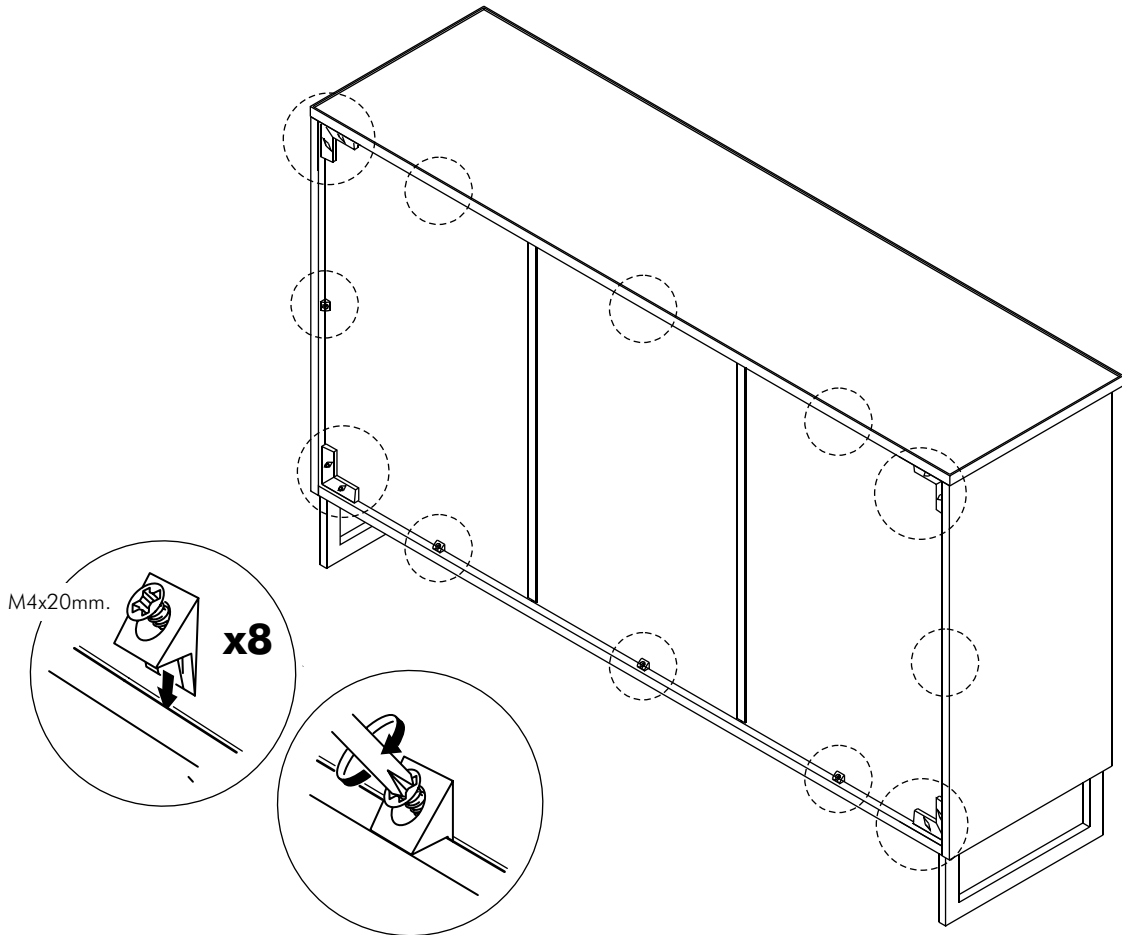
2.



**3.**



**4.**



**ASSEMBLY**

-DRAWER SET

**x6**

