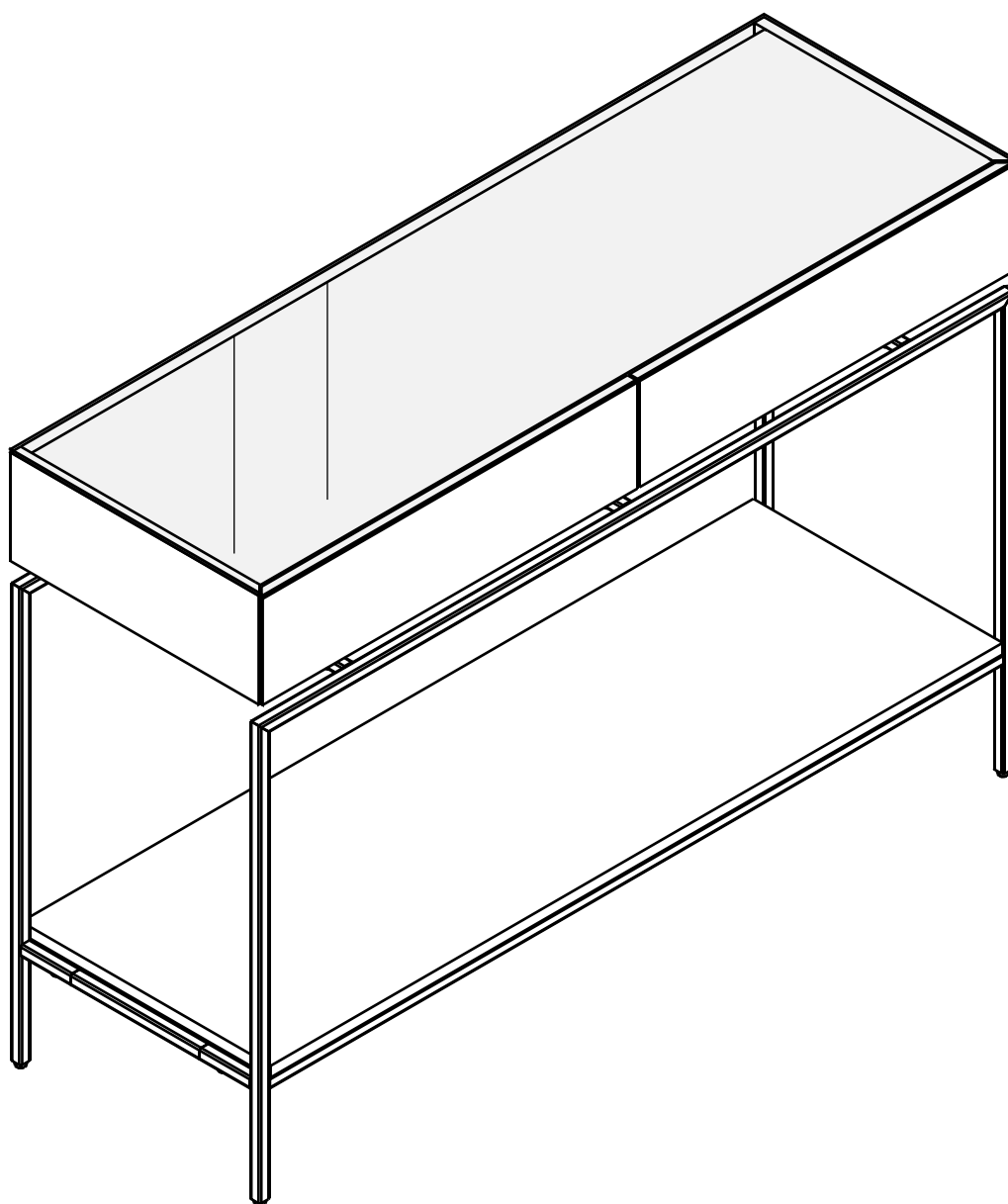


# JEAGER

Console table 120 cm.



# CONNECT SYSTEM

**1**

**3**

**2**

(Connecting bolts)

**WHEN FITTING CAMS**  
 ENSURE STARTING POSITION IS CORRECT  
 BEFORE YOU INSERT CONNECTING BOLT  
 TURN CLOCKWISE UNTIL SECURE

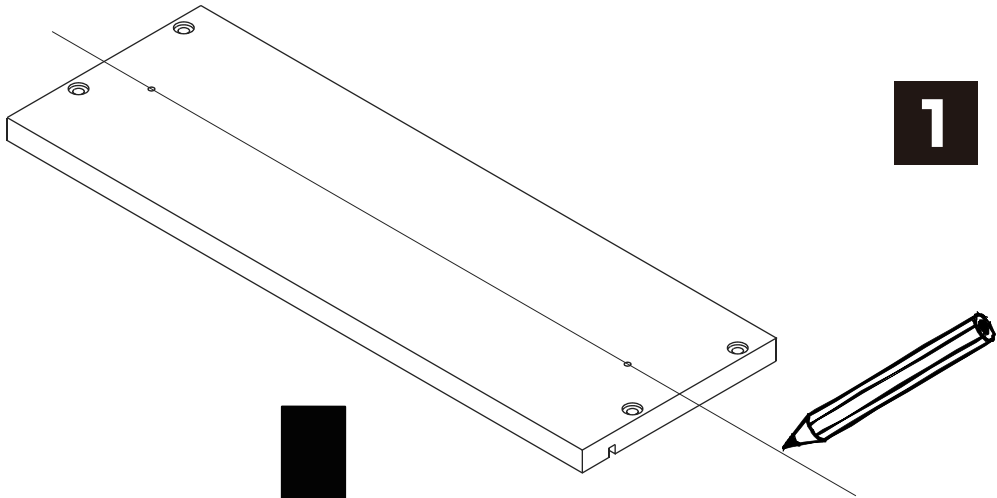
✓	✗	✗	✗
↑	↑	↑	↑
<b>CORRECT</b>	<b>WRONG</b>		<b>✗</b>

M3.5x13mm.

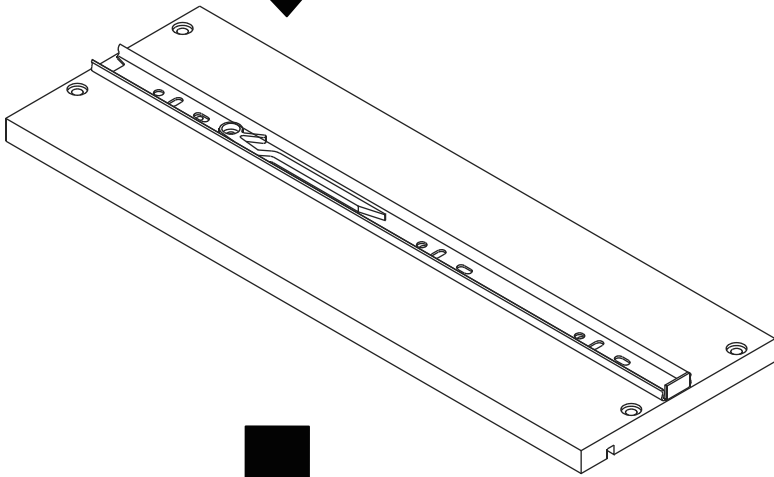
**1**

**2**

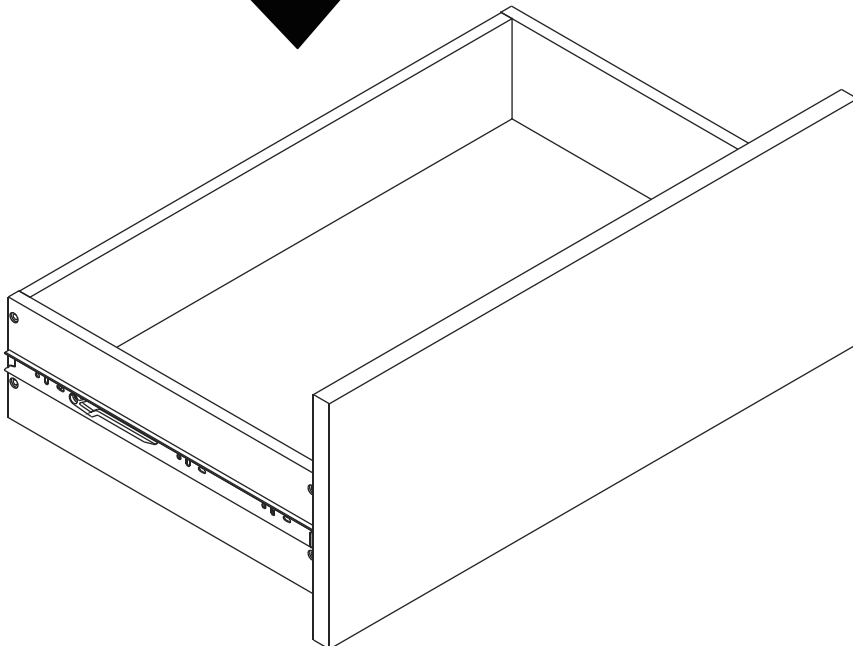
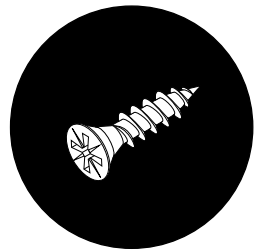
M4x16mm.



1

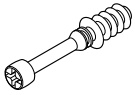


2

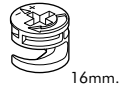


# HARDWARE

## -BODY SET

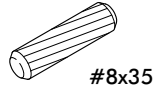


**x 10**



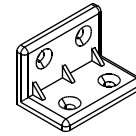
16mm.

**x 8**

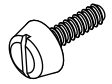


#8x35

**x 20**



**x 2**

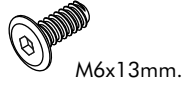


**x 4**



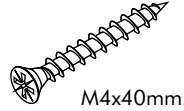
19mm.

**x 2**



M6x13mm.

**x 10**



M4x40mm.

**x 2**



M4x25mm.

**x 6**



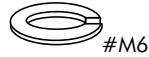
M4x16mm.

**x 8**



M4x16mm.

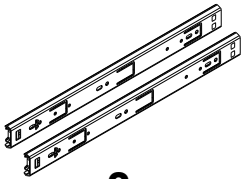
**x 28**



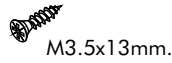
#M6

**x 10**

## -DRAWER SET

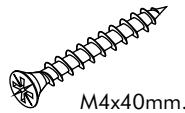


**x 2**



M3.5x13mm.

**x 24**



M4x40mm.

**x 20**



M6x23mm.

**x 6**



**x 1**

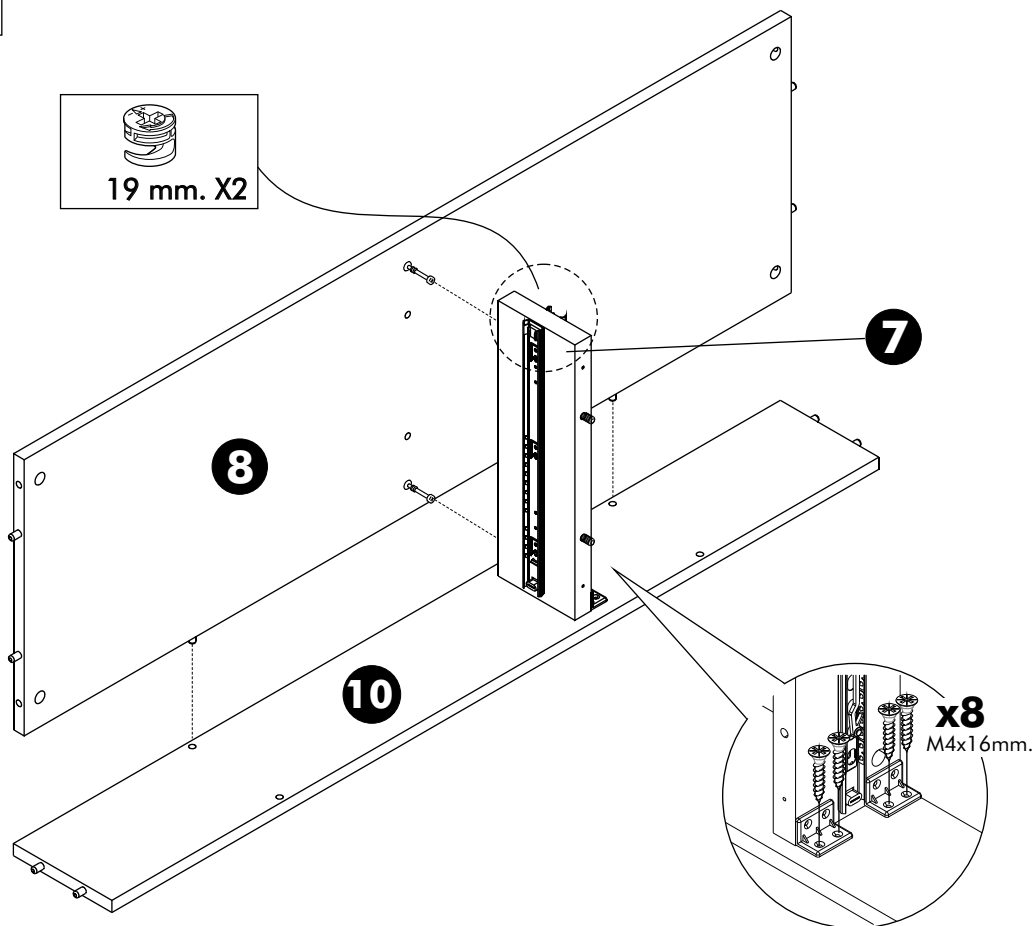


**x 4**

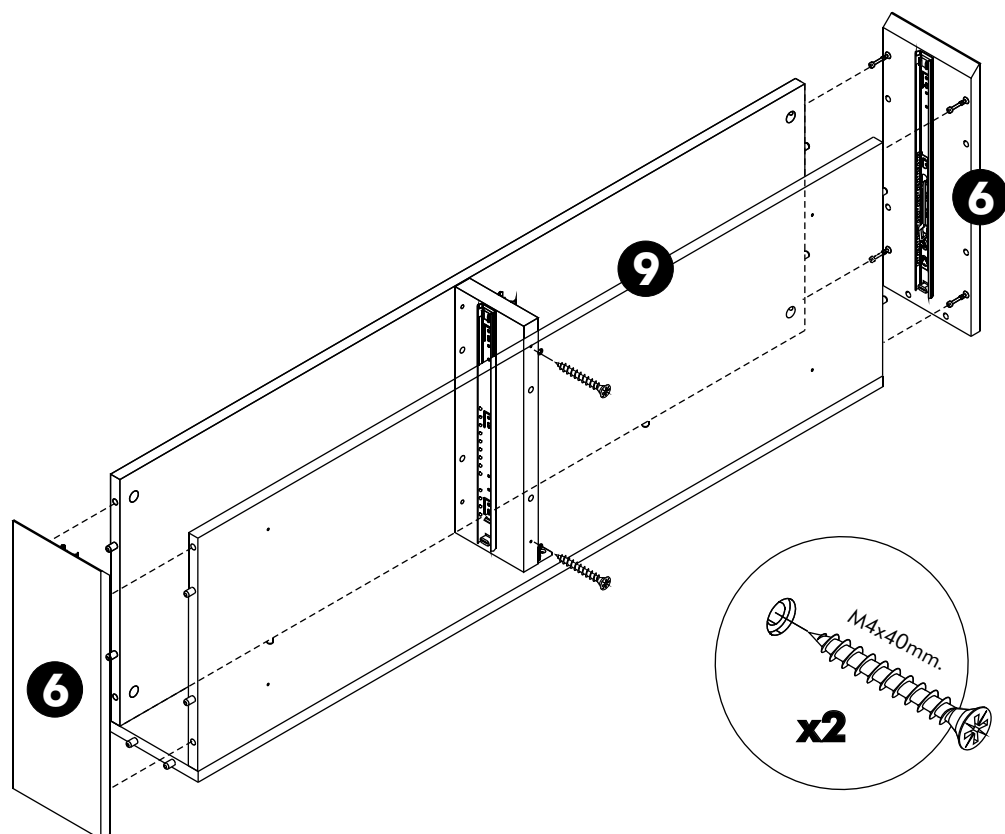
# ASSEMBLY

-BODY SET

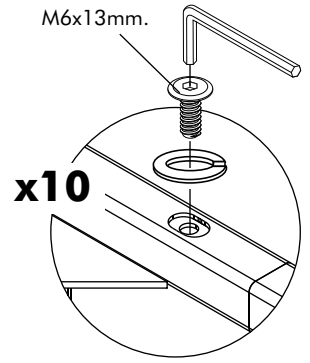
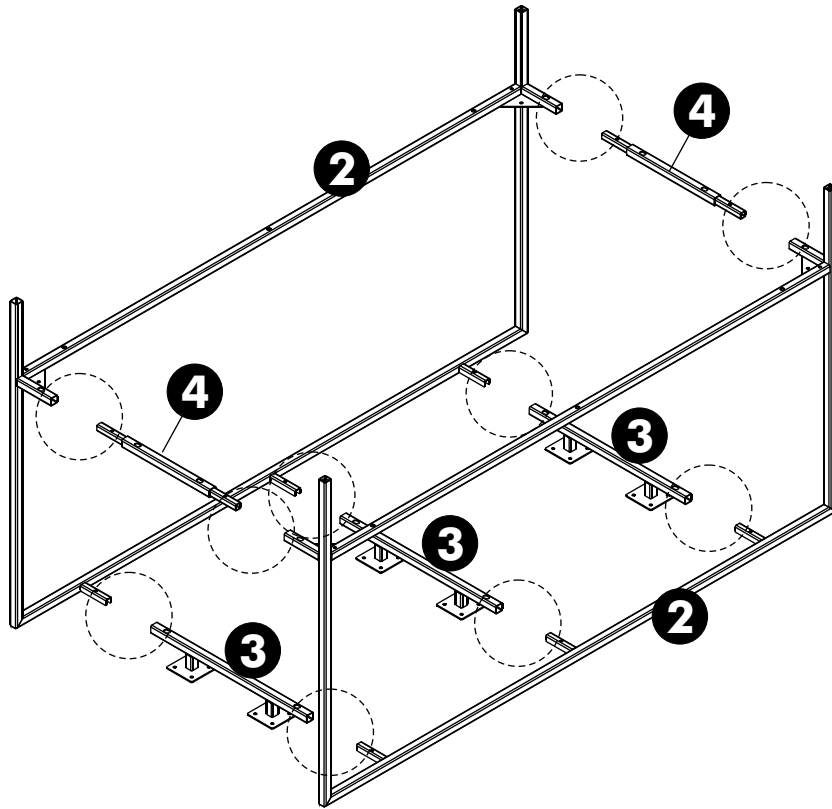
## 1.



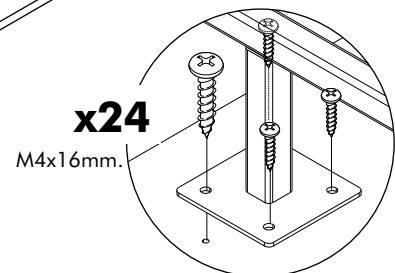
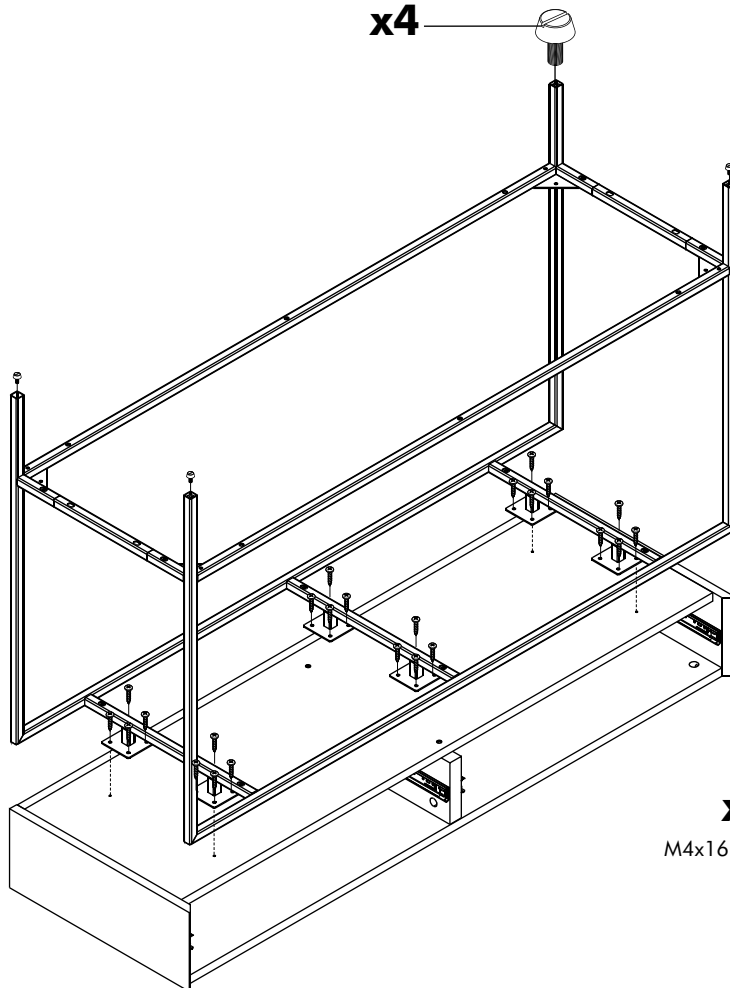
## 2.



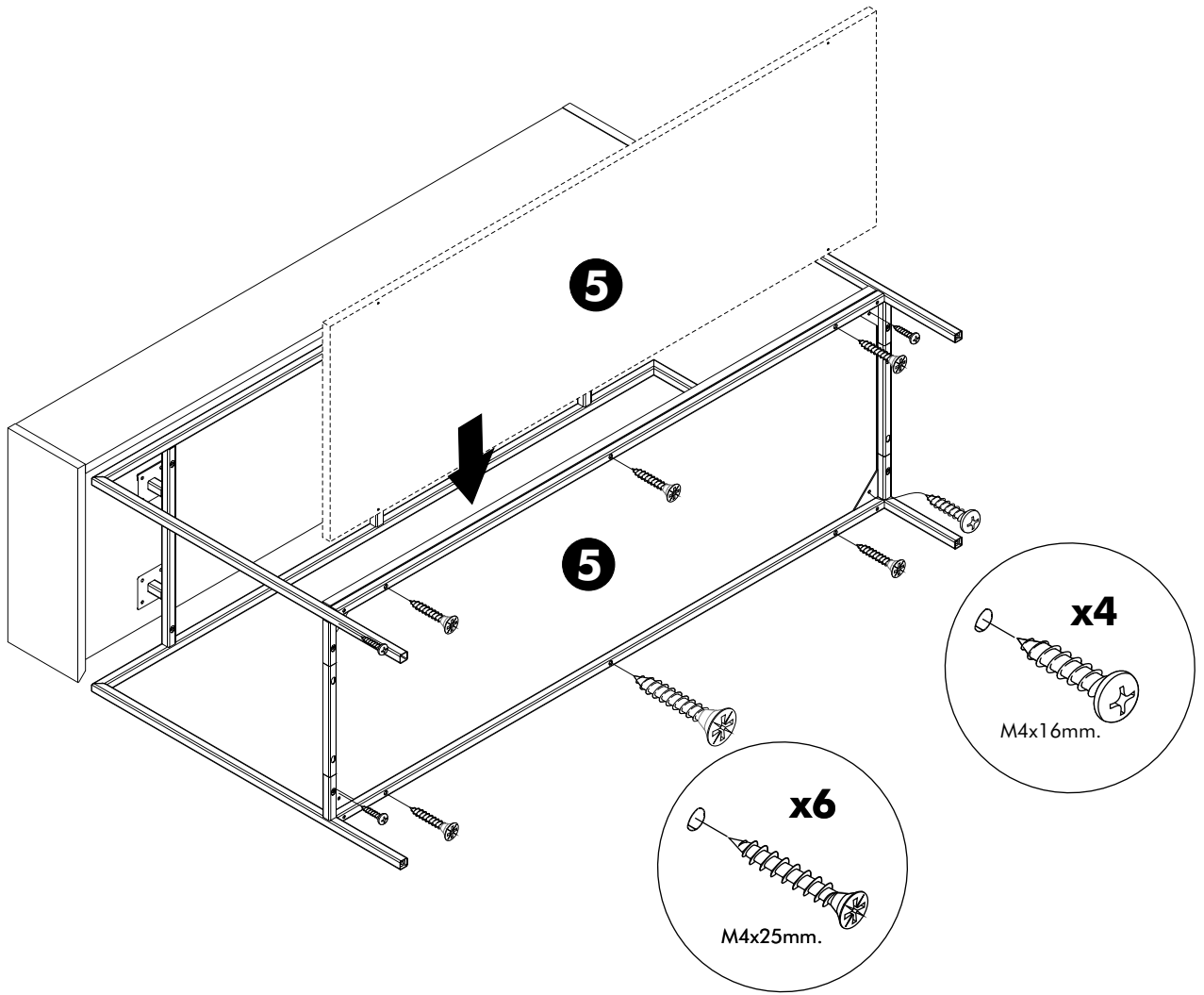
**3.**



**4.**



**5.**



# ASSEMBLY

-DRAWER SET

