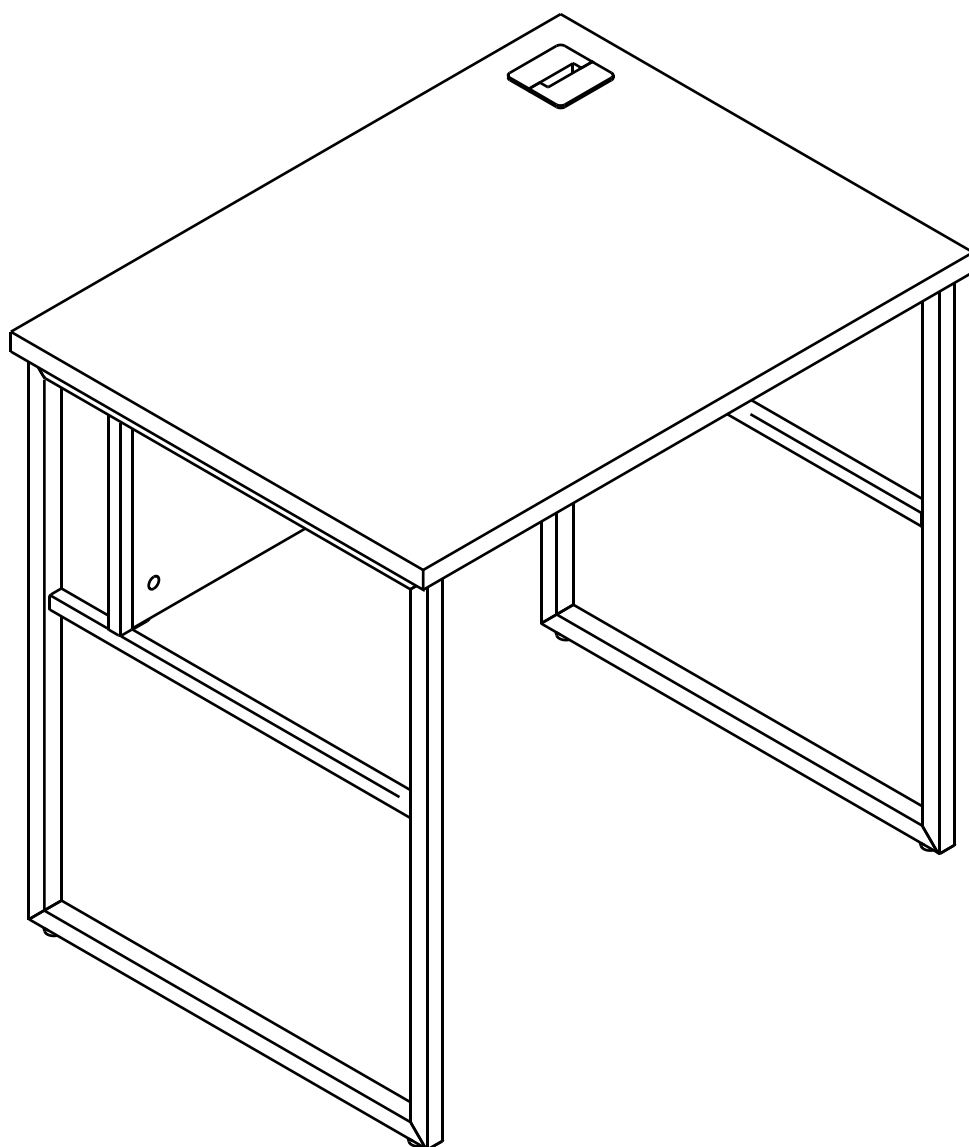
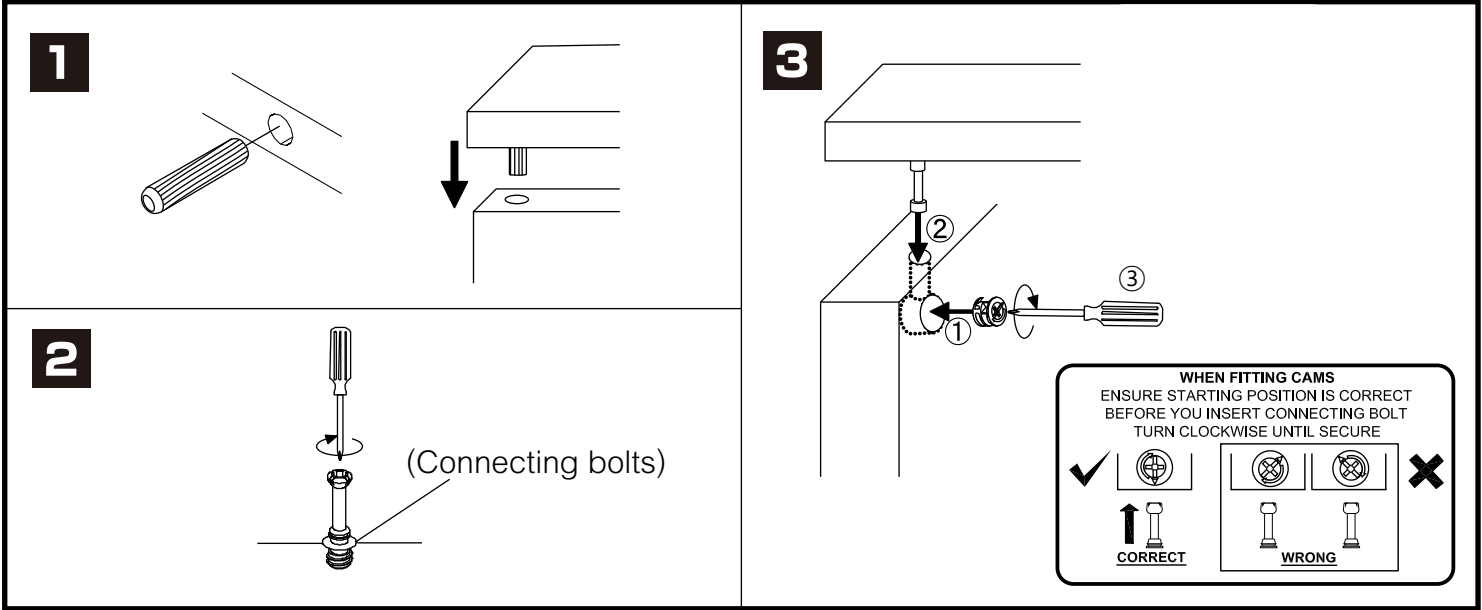


# ACTIVA

**Desk A 80 Steel Leg**

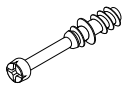


# CONNECT SYSTEM



# HARDWARE

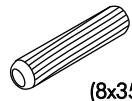
## -BODY SET



**x 2**

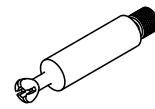


**x 6**



(8x35)

**x 6**



**x 4**



**x 6**



M6x40mm.

**x 6**



**x 4**

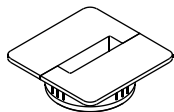


M4x30mm.

**x 2**



**x 6**

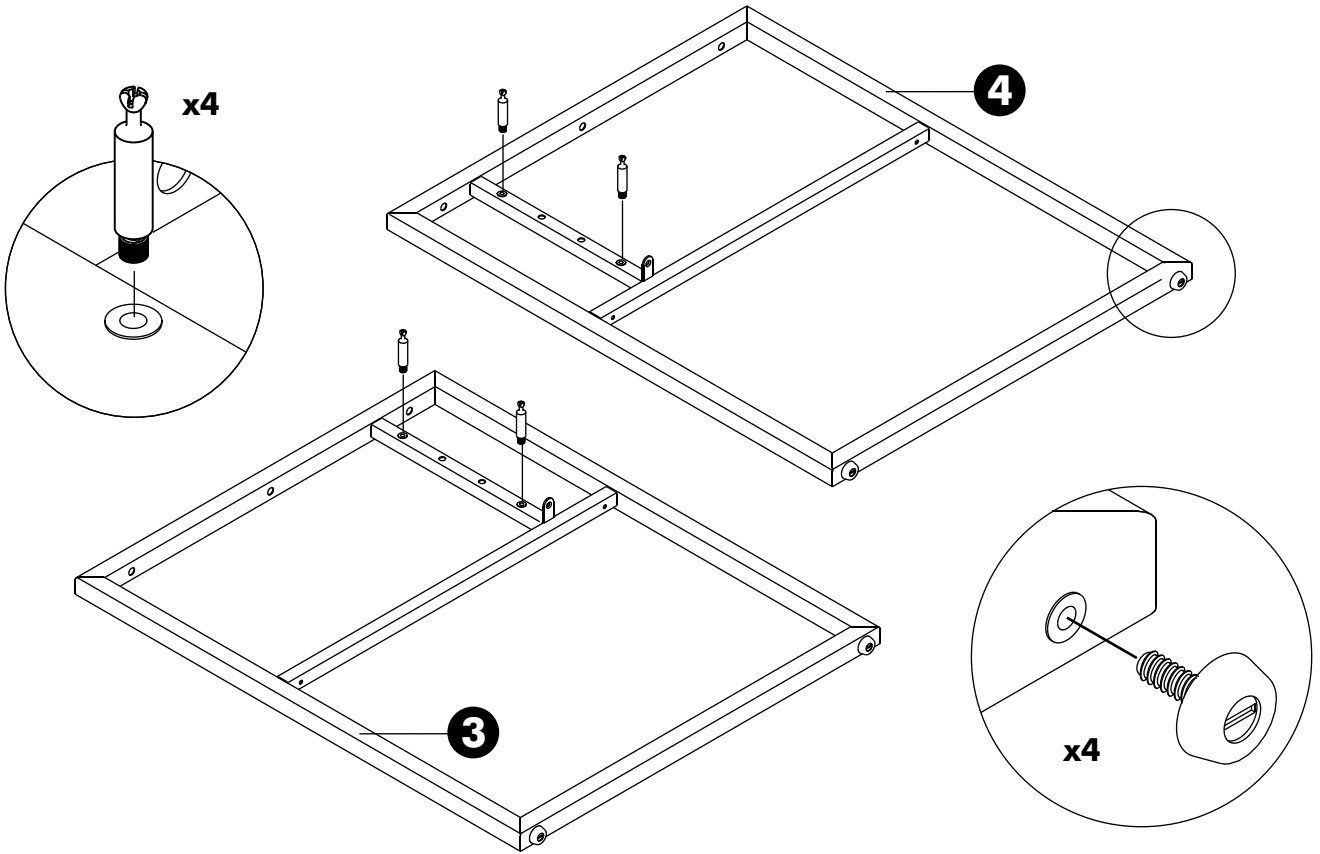


**x 1**

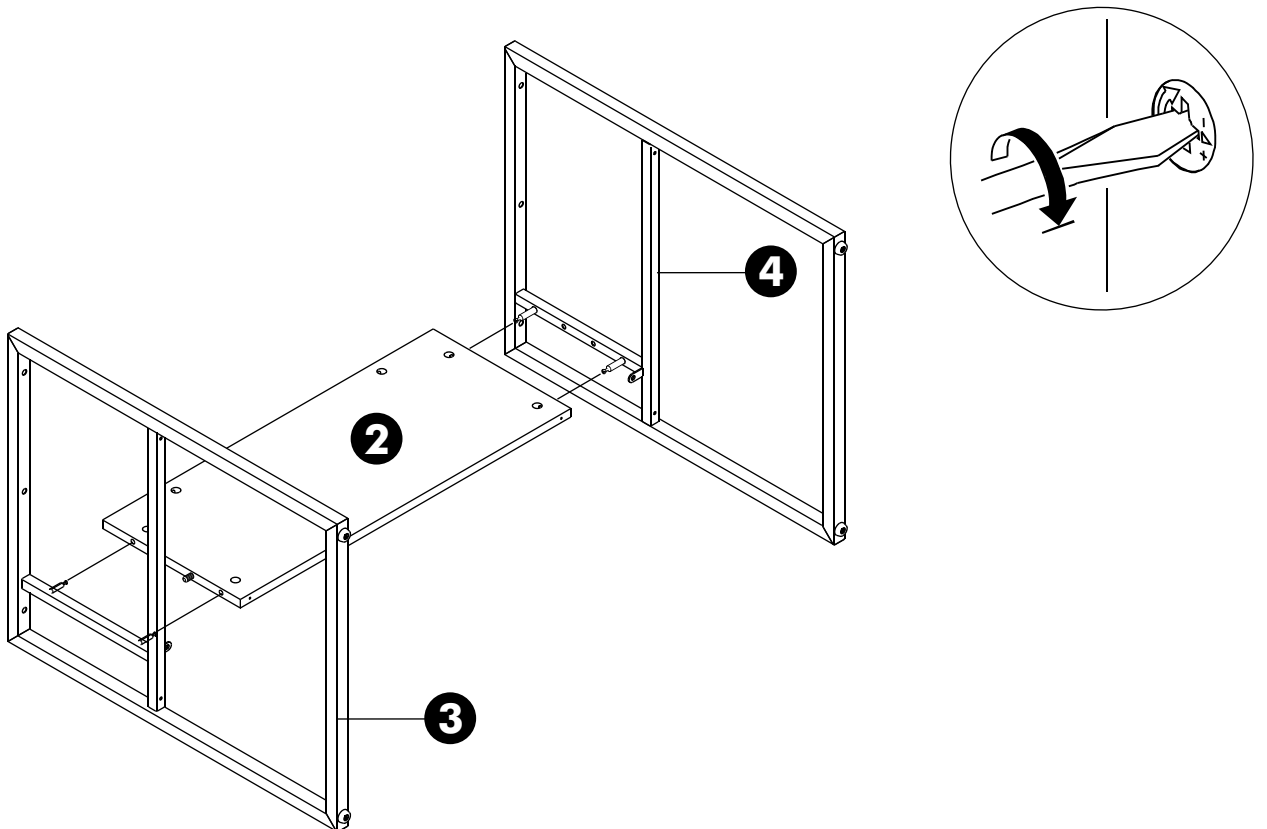


**x 1**

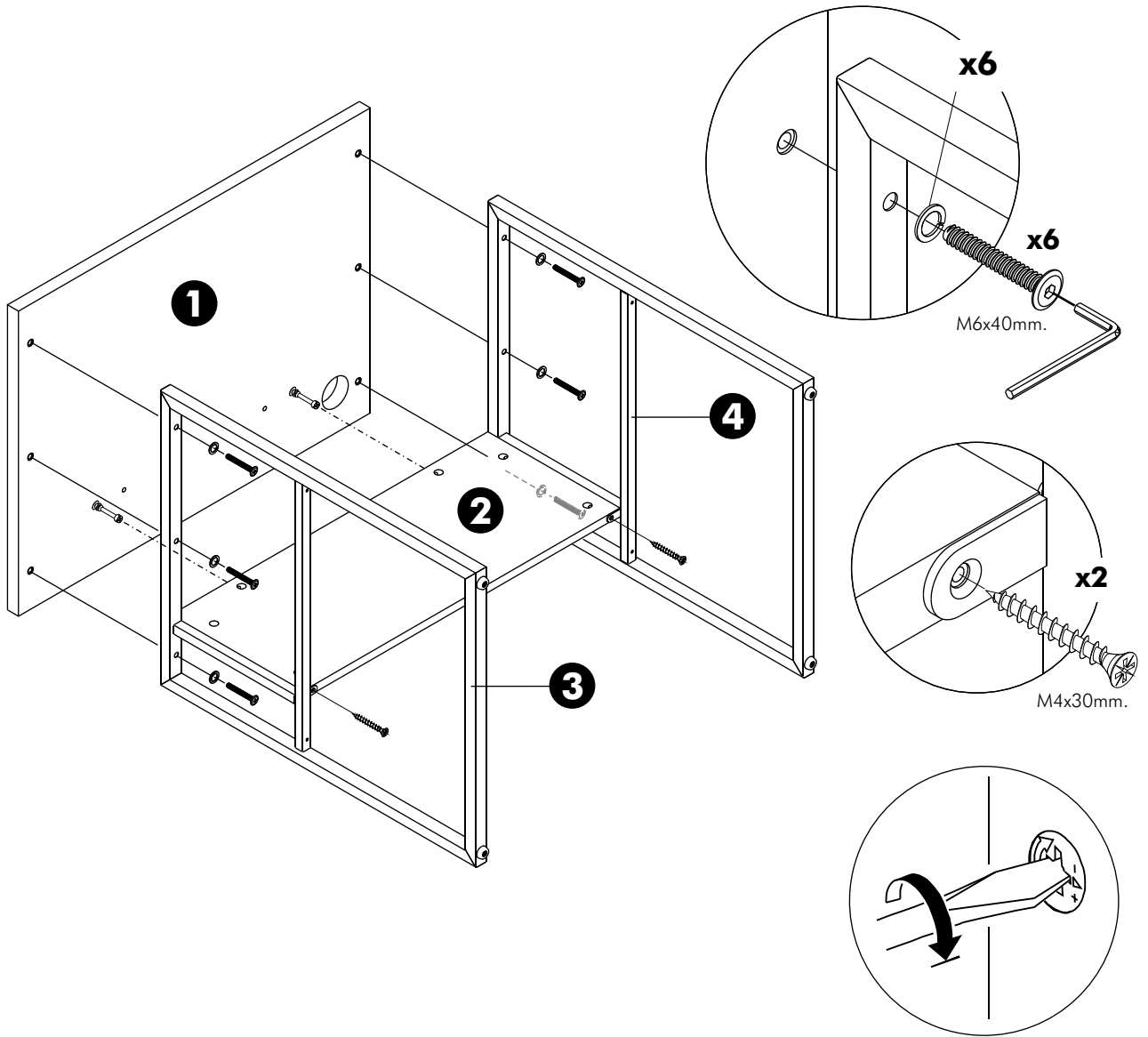
**1.**



**2.**



**3.**



**4.**

