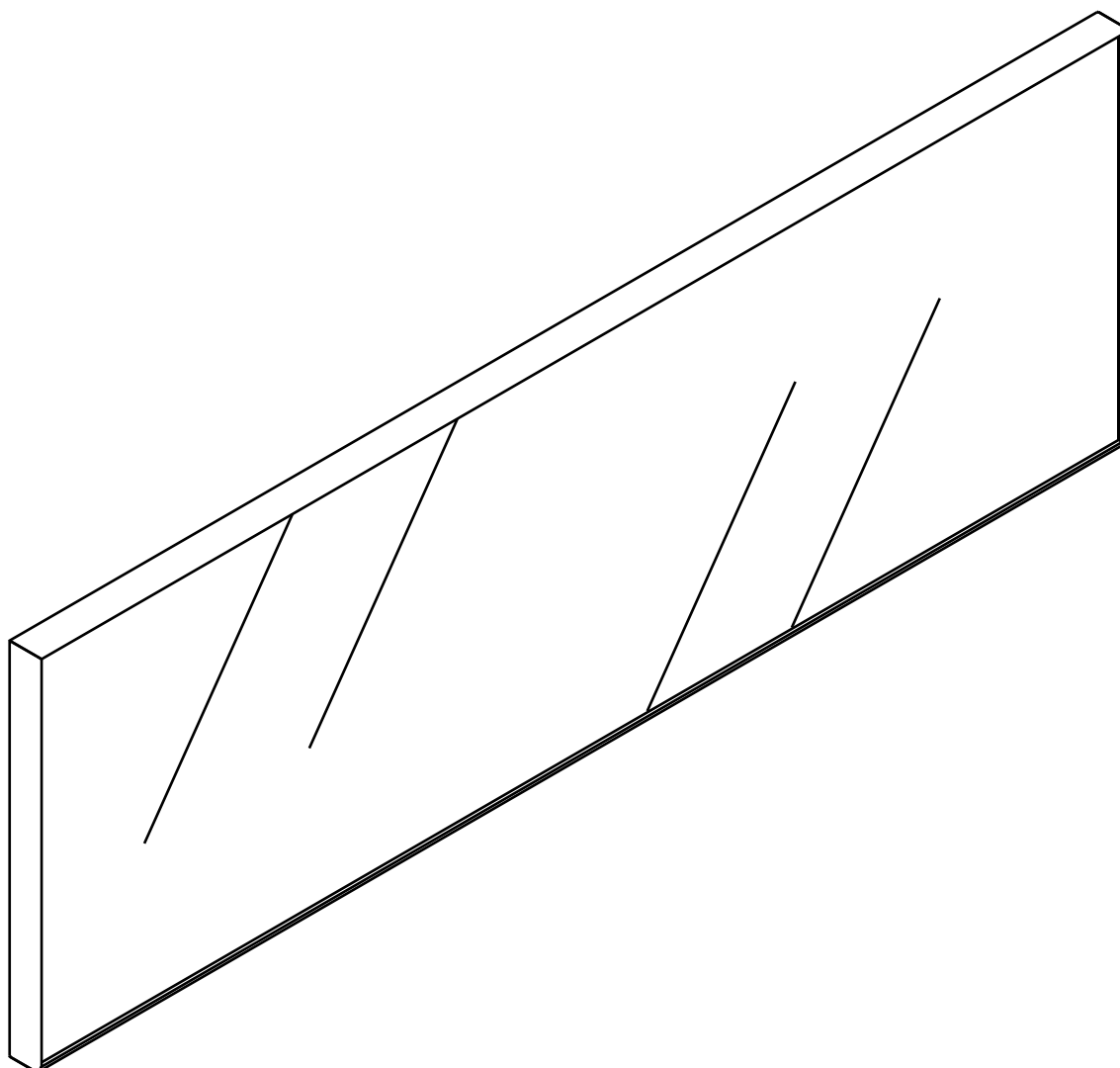


# ITALIVING

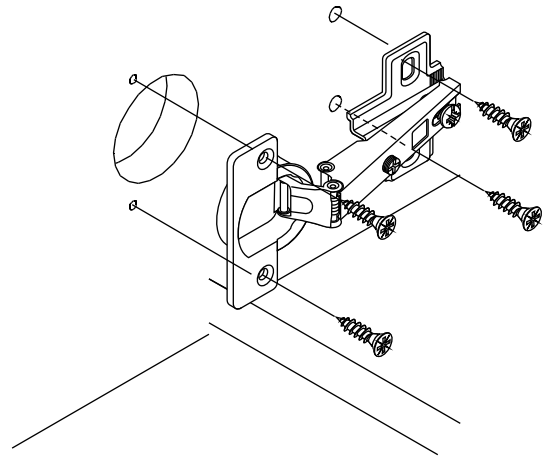
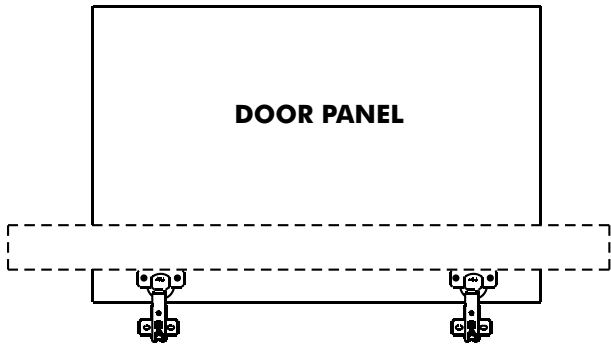
**Glass drawer dr W90H30**



# CONNECT SYSTEM



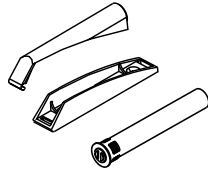
M4x16mm.



**HARDWARE**



**x 2**



**x 1**



**x 1**



M4x16mm.

**x 8**



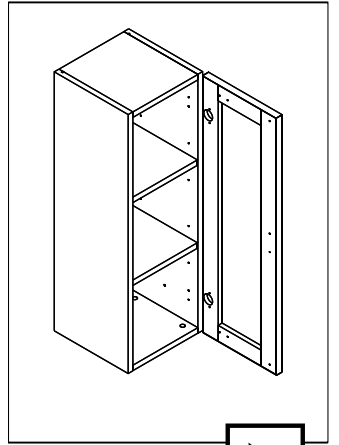
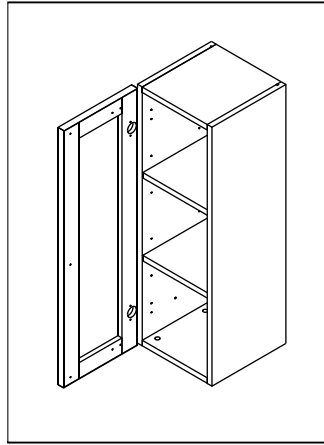
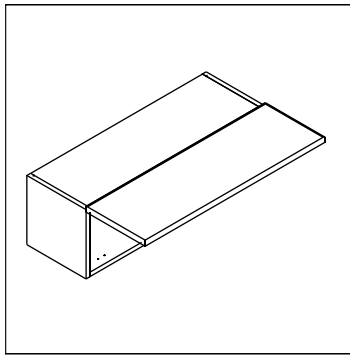
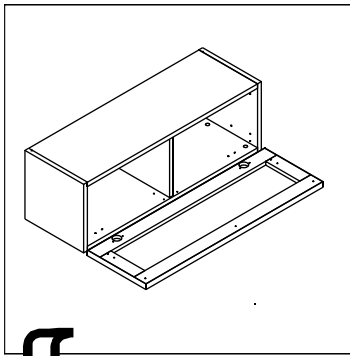
#5x1/2".

**x 1**

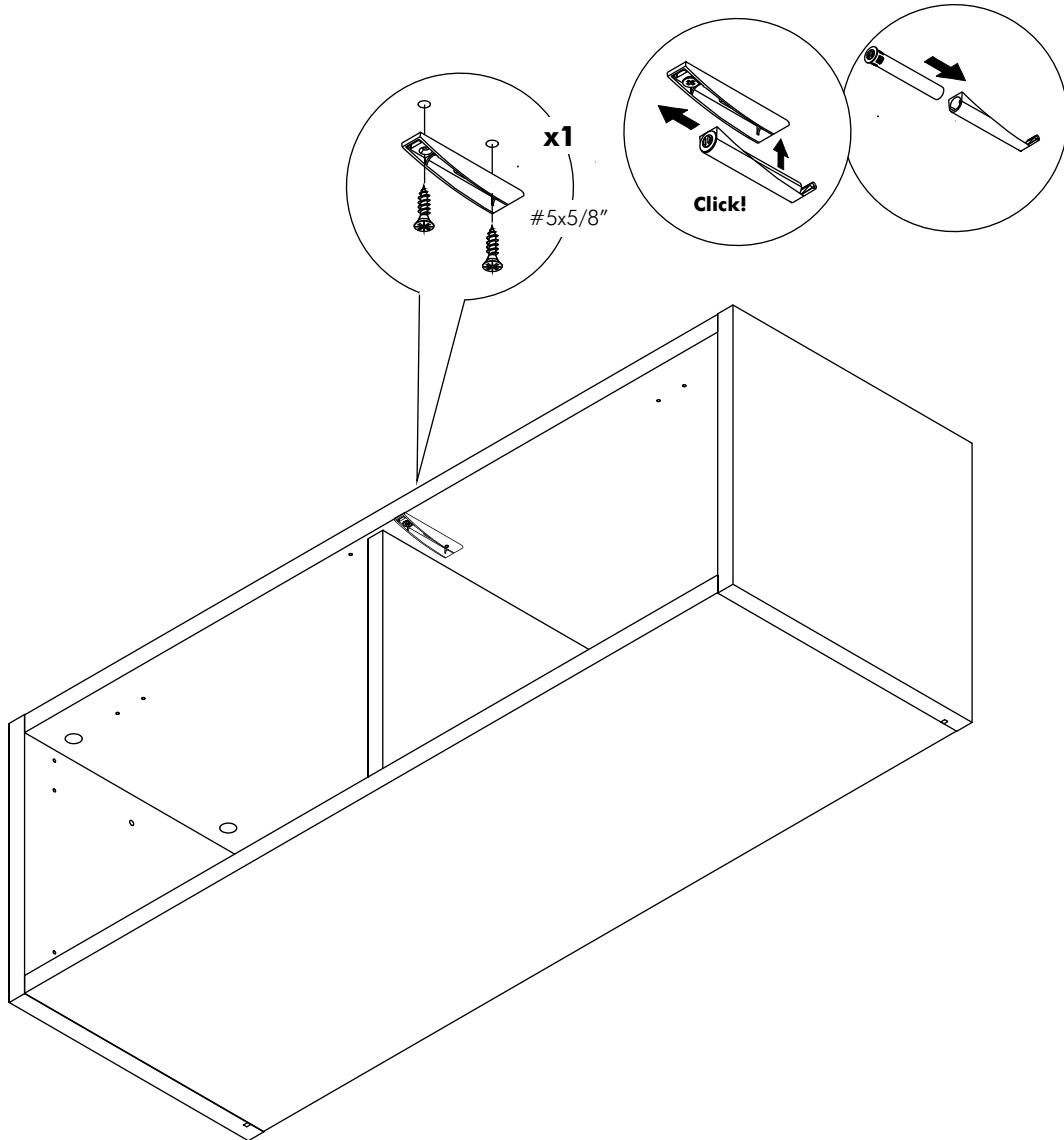


#5x5/8"

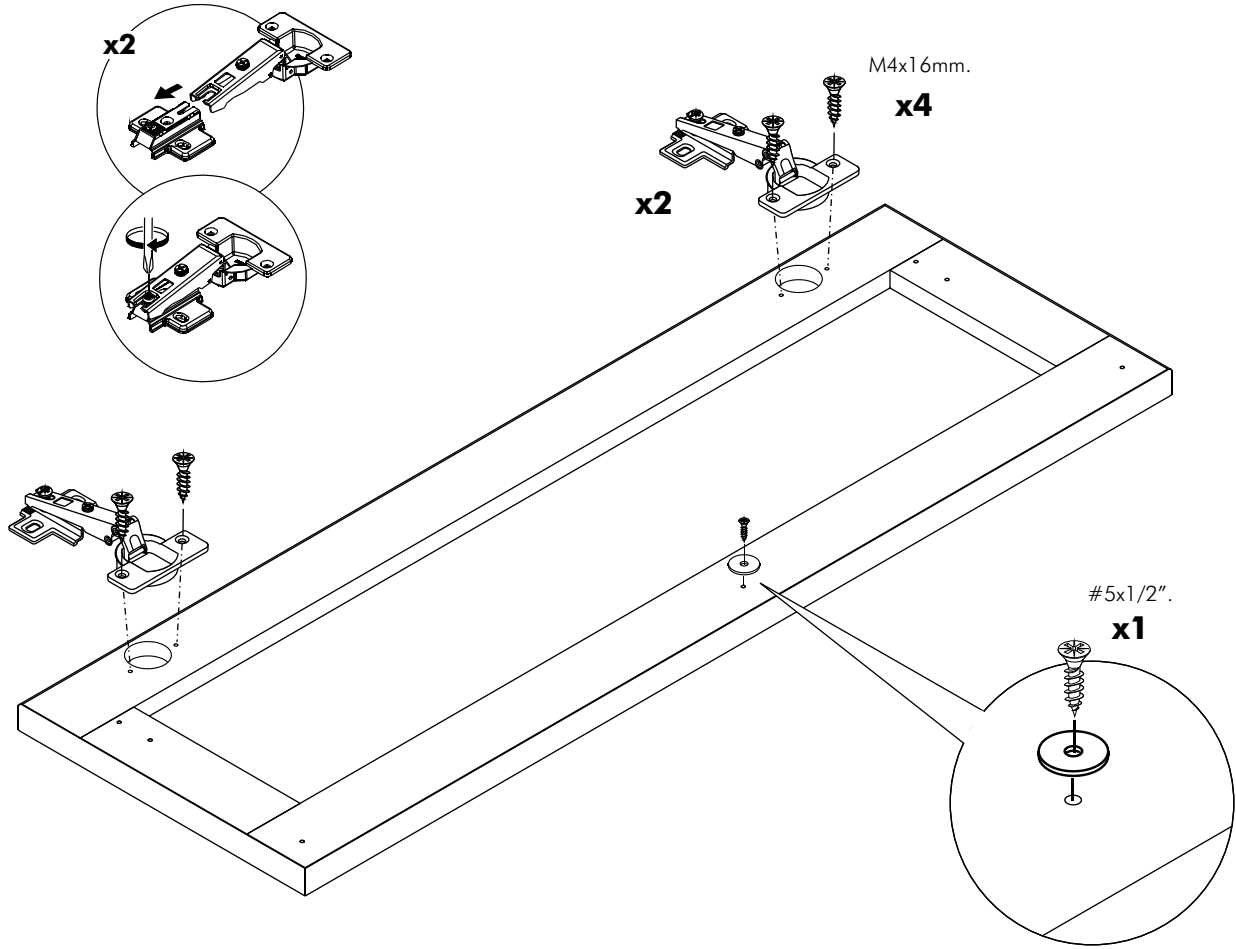
**x 2**



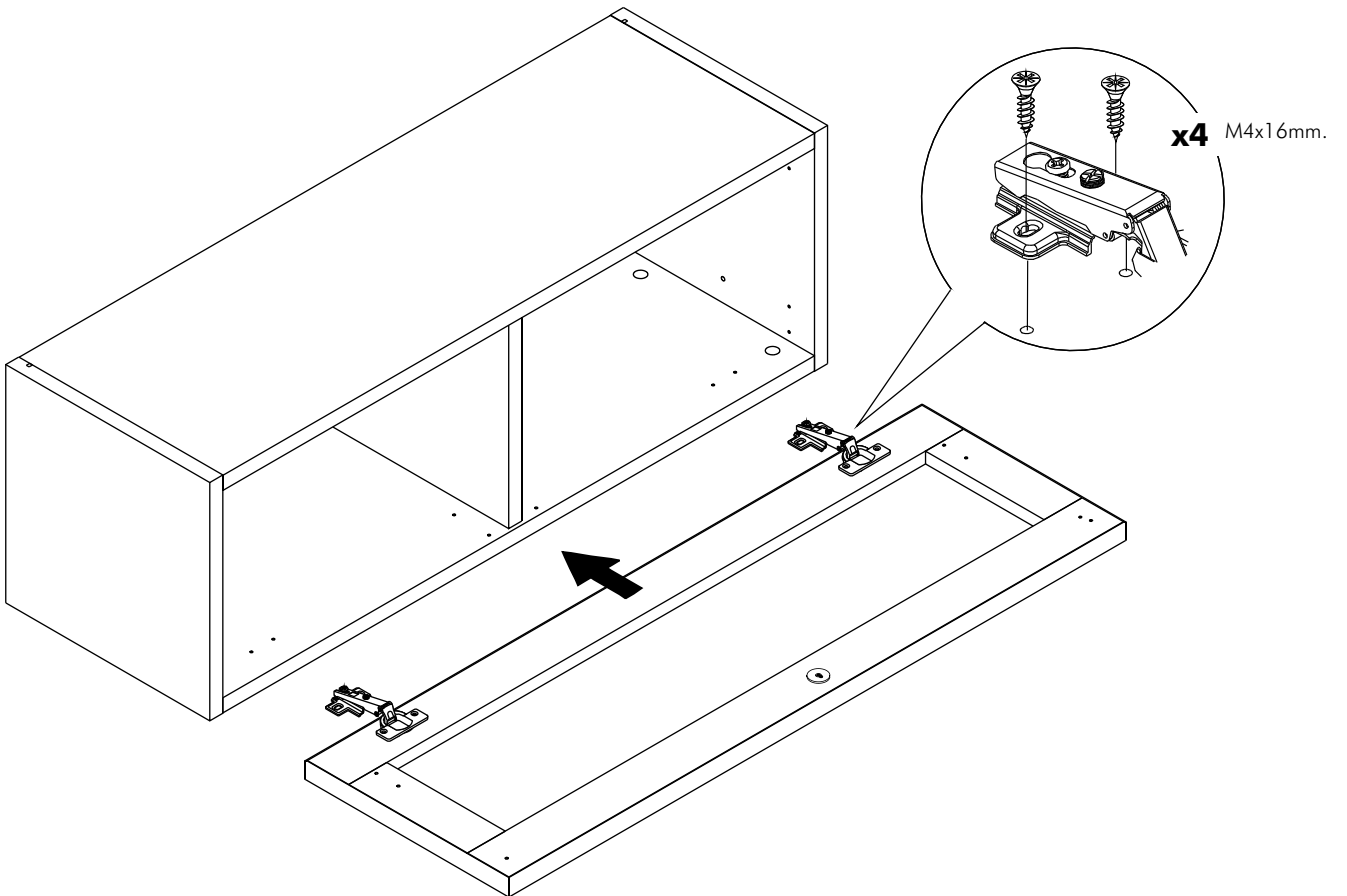
1.

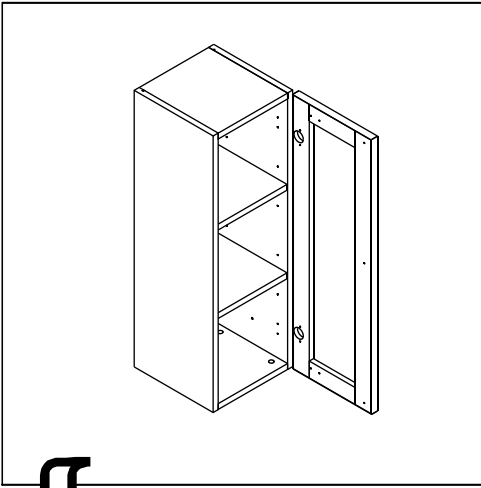


**2.**

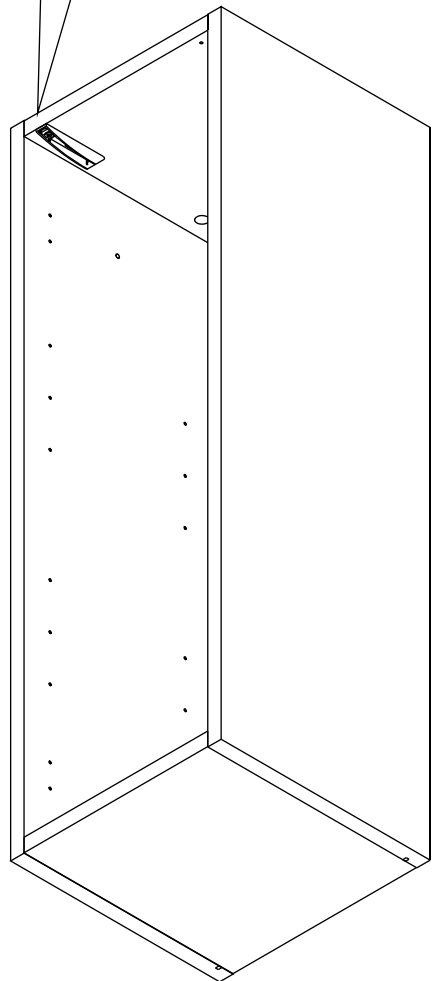
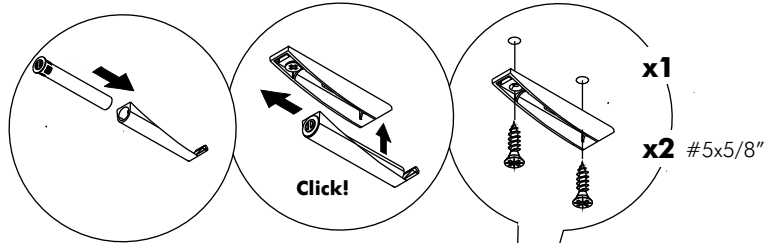


**3.**

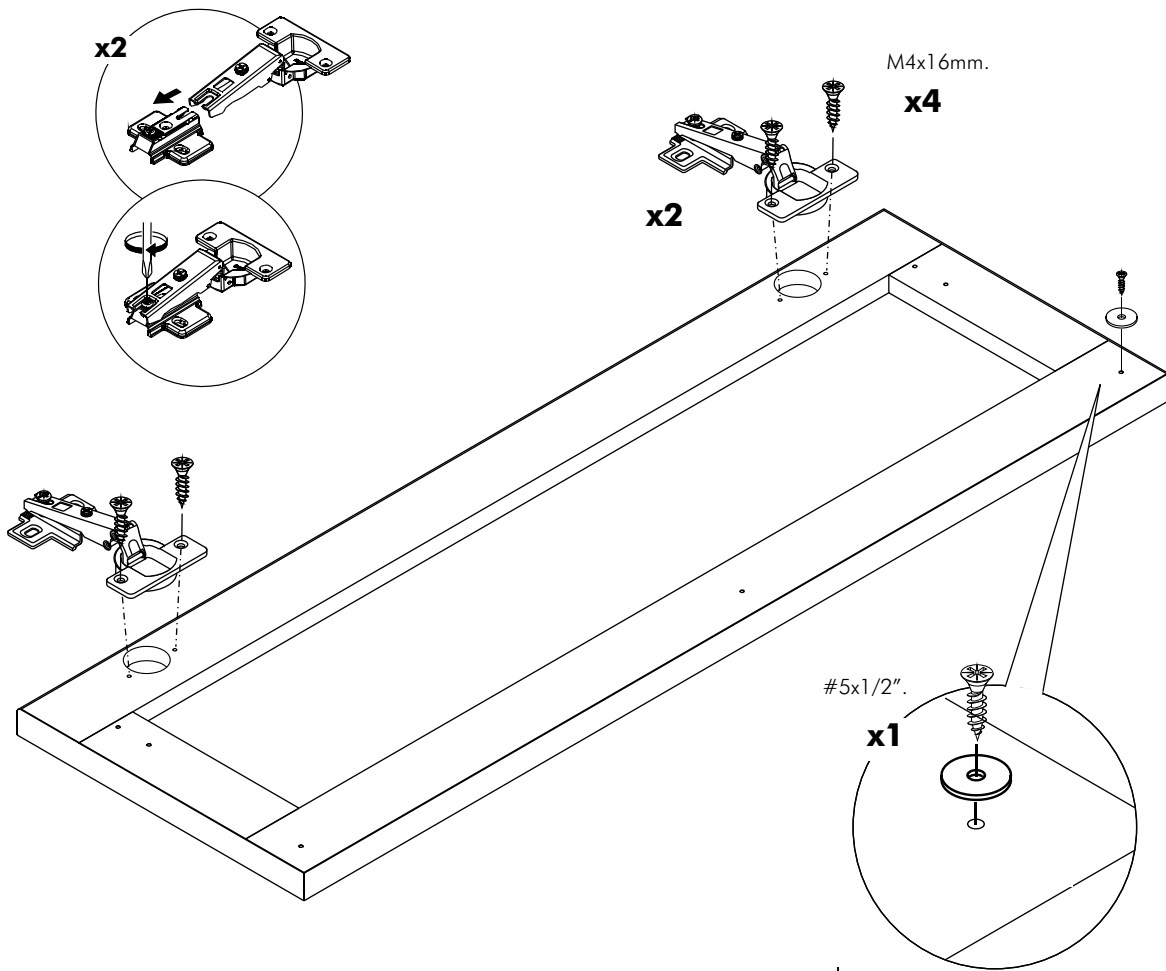




**1.**



**2.**



**3.**

