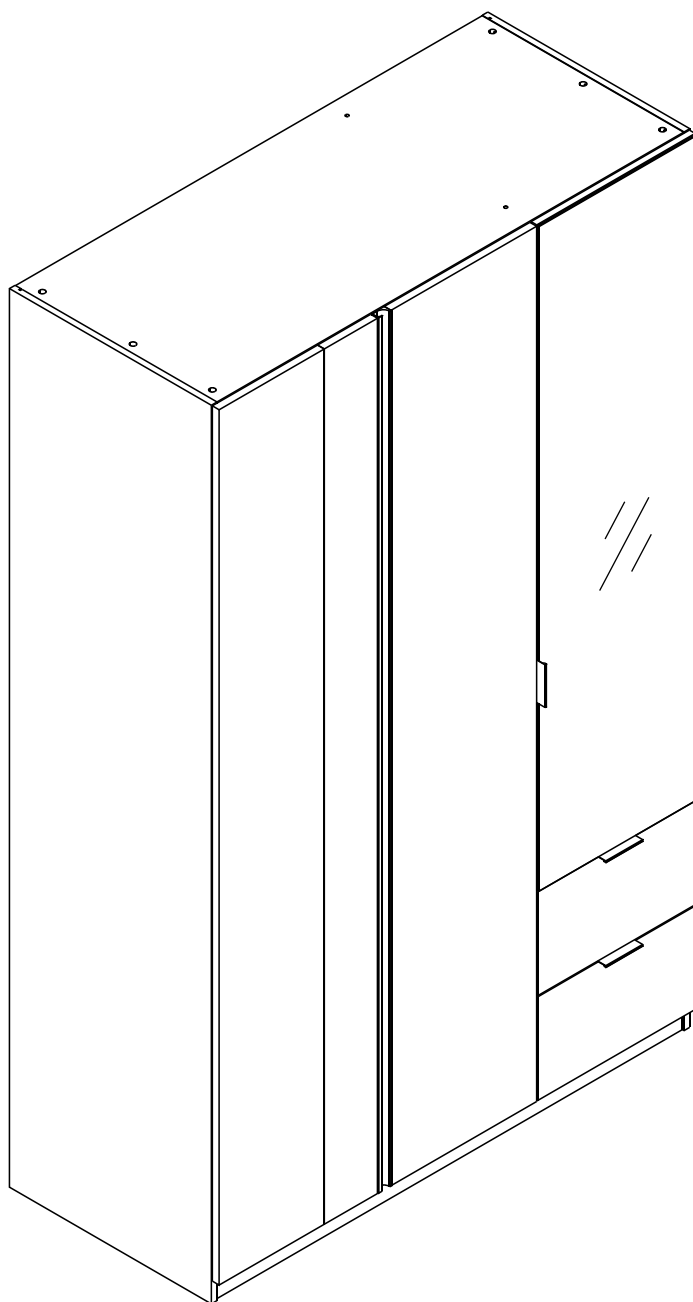
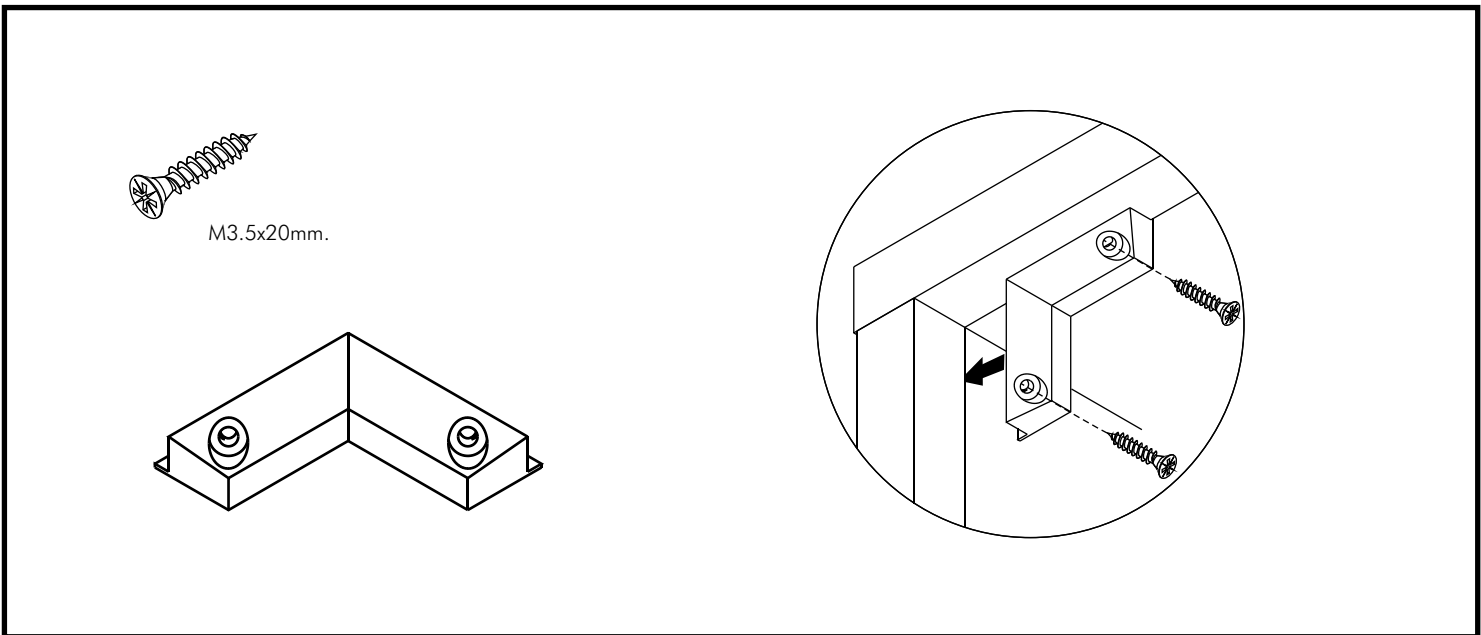
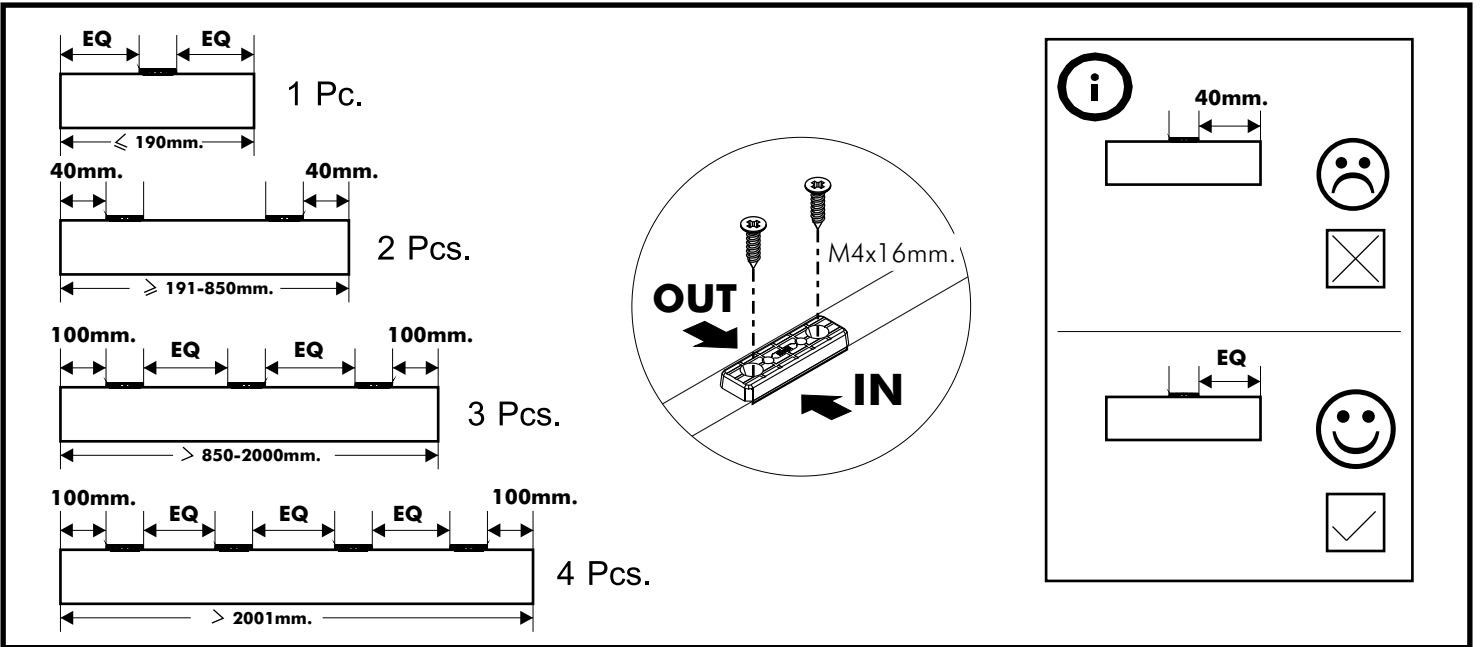
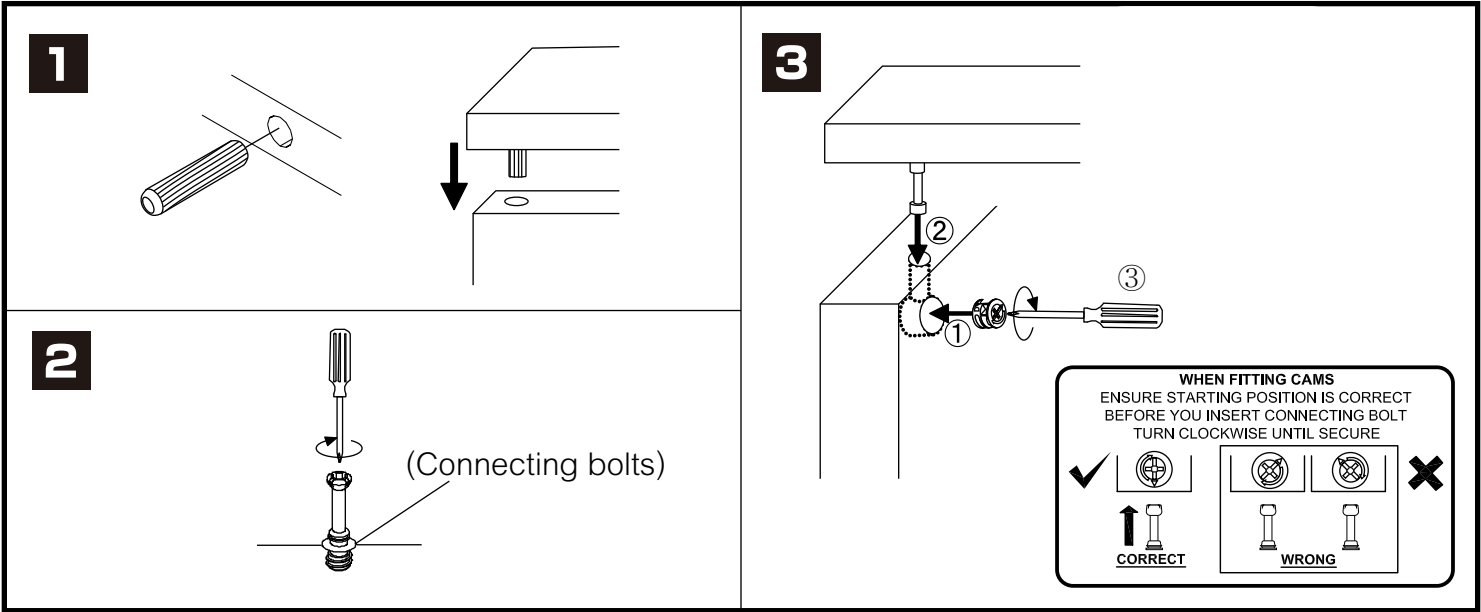


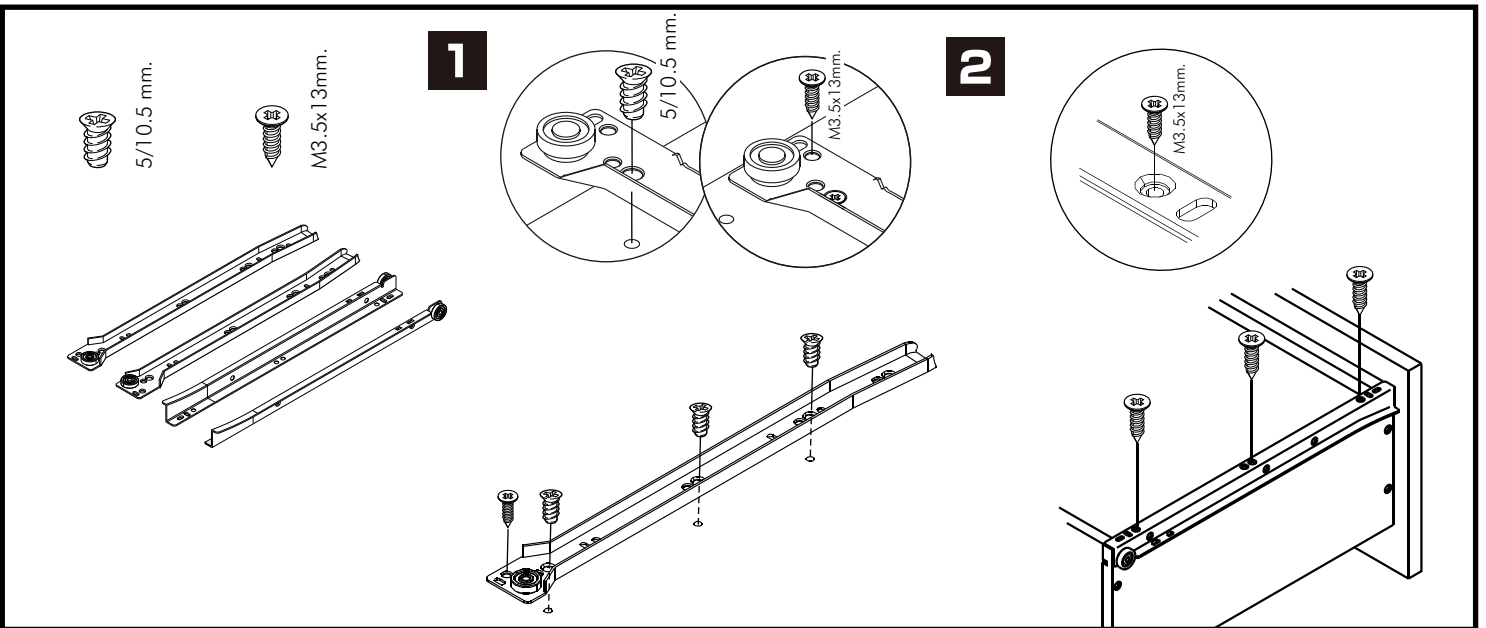
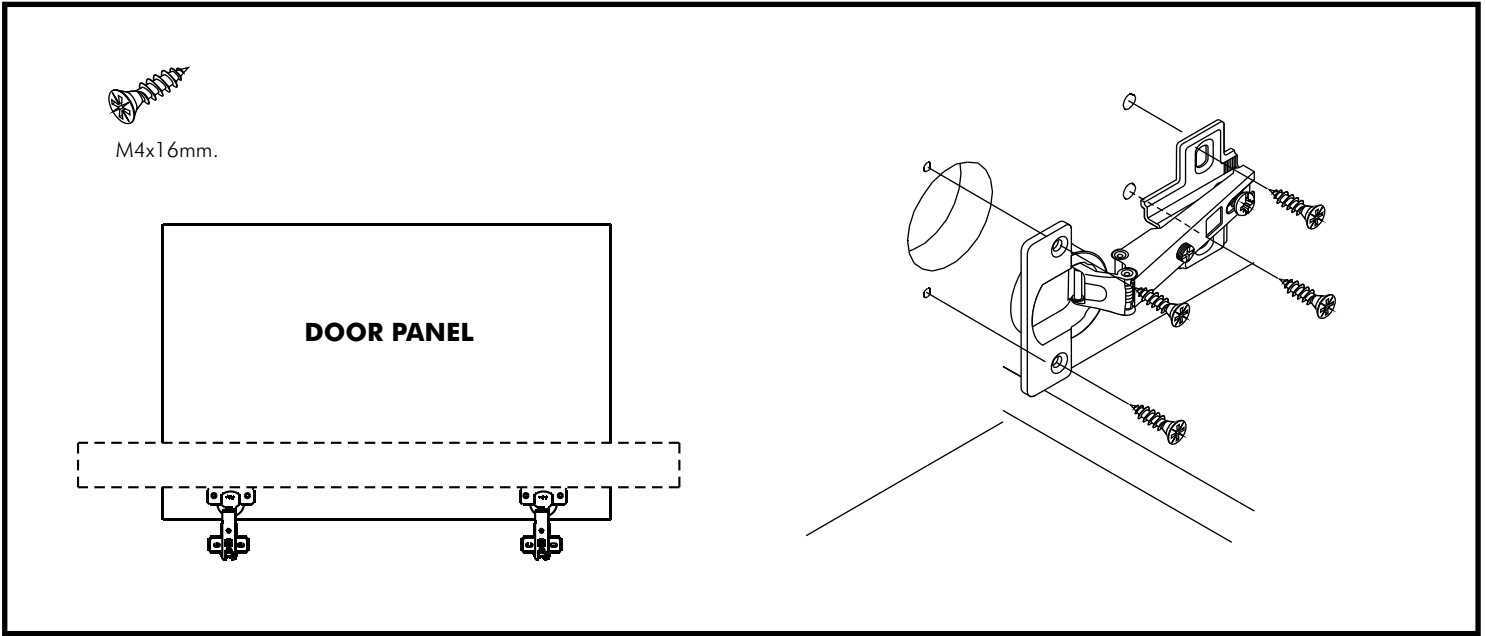
ARTISAN/D

Wardrobe 3 drs 135 cm.

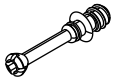


CONNECT SYSTEM





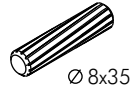
HARDWARE



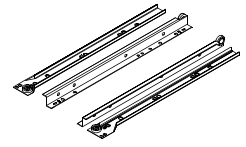
x 27



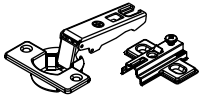
x 27



x 47



x 2 SET



x 12



F+ M4x16

x 42



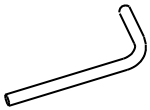
#F+B M5x12/8

x 24



F+ M4x40

x 22



x 1



#M3.5x20(F)

x 4



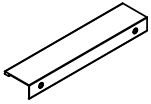
P+ M3.5x16

x 30



F+ M3x13

x 6

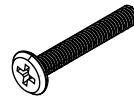


x 3



TFL4 M6x23

x 8



TF+M6x40

x 4



F+M3.5x25

x 15



x 5



F+ M3.5x13

x 24



x 6



x 4



x 1

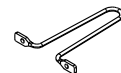


P+ 5x3/4

x 3



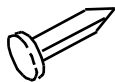
x 4



x 1



x 5

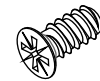


x 5



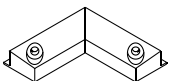
F+ 5x1/2"

x 4

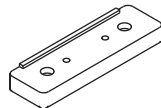


#F+B M5x10.5

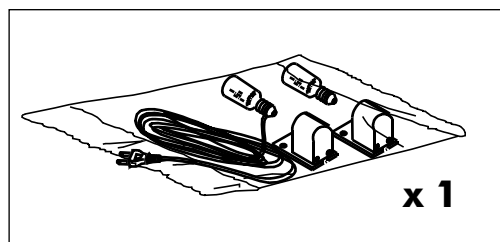
x 12



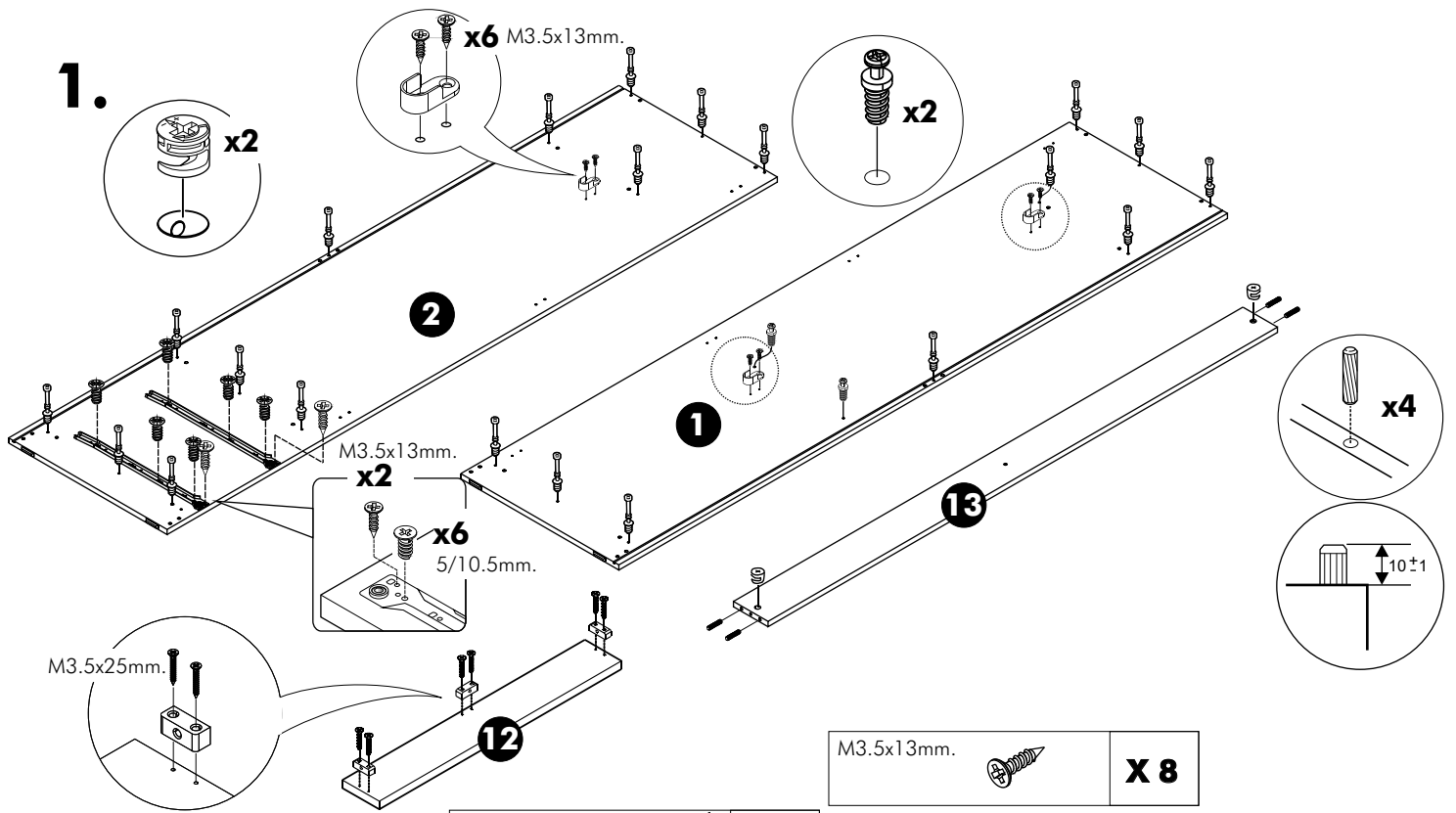
x 2



x 9




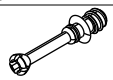
x 1

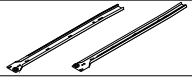


M3.5x25mm.


M3.5x13mm.
x2
5/10.5mm.
x6


M3.5x13mm.  **X 8**

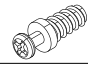
 **X 21**

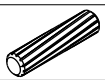
 **1SET**

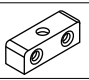
 **X 3**


 **X 2**

M3.5x25mm.  **X 6**

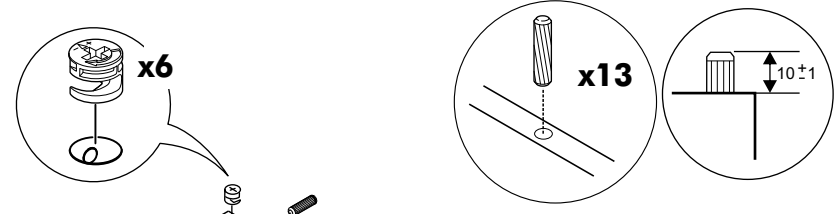
 **X 2**

 **X 4**

 **X 3**

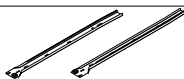
5/10.5mm.  **X 6**

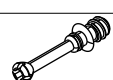
2.





M3.5x13mm.
x2
5/10.5mm.

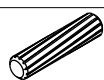
x3

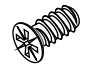
 **1SET**

 **X 3**

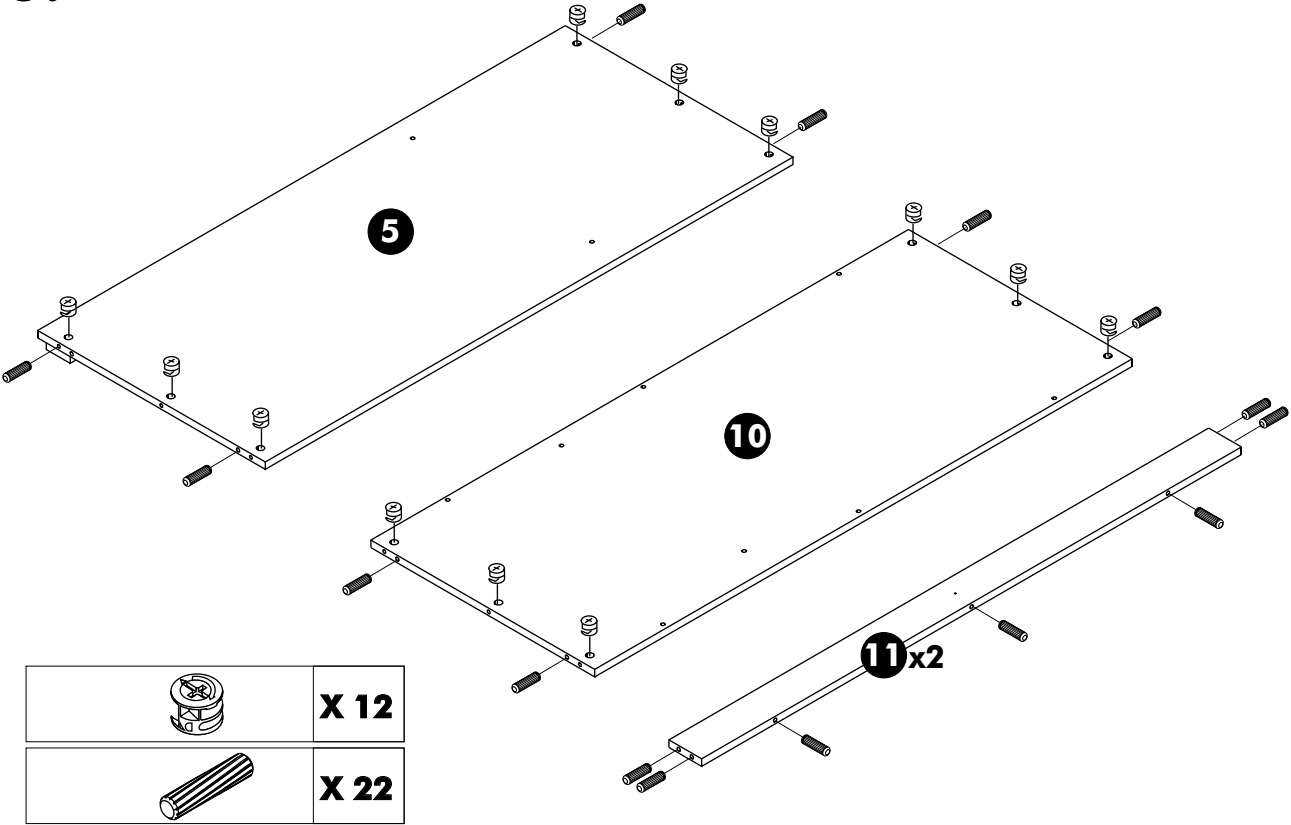
M3.5x13mm.  **X 2**



 **X 6**

 **X 13**

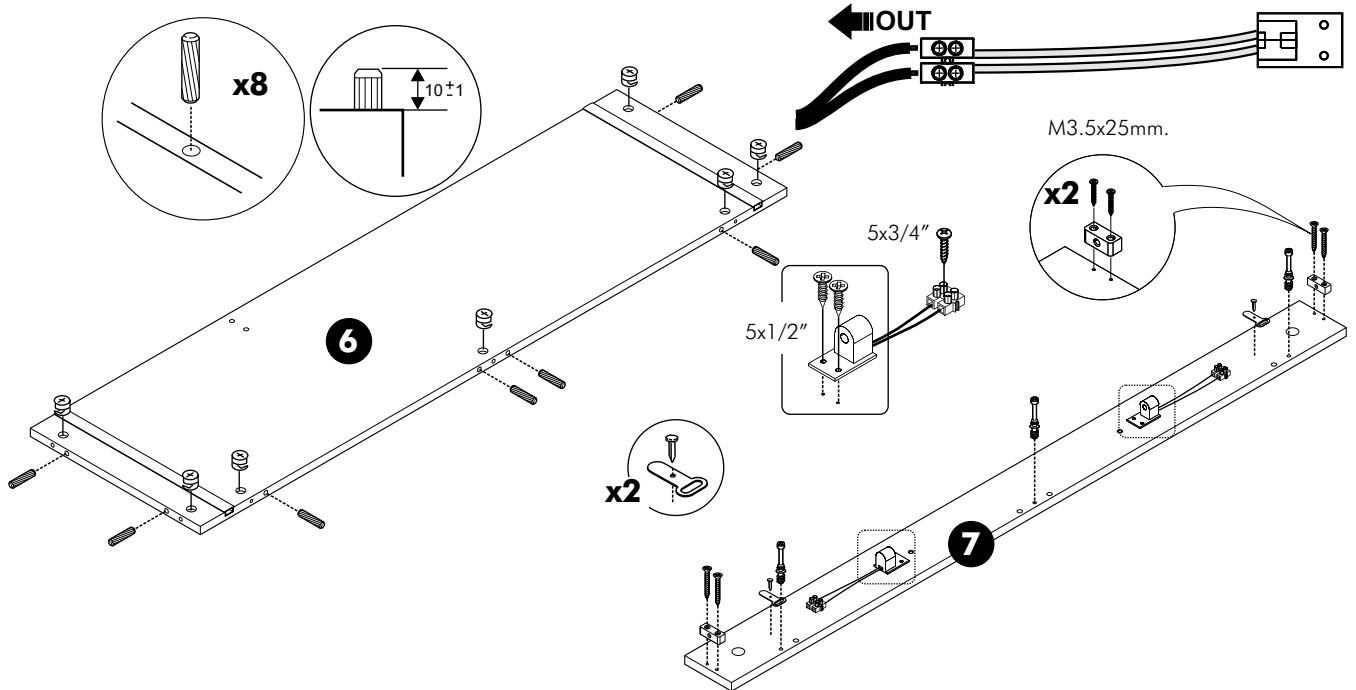
5/10.5mm.  **X 6**

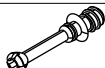
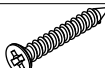


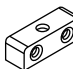


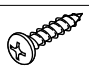

3.



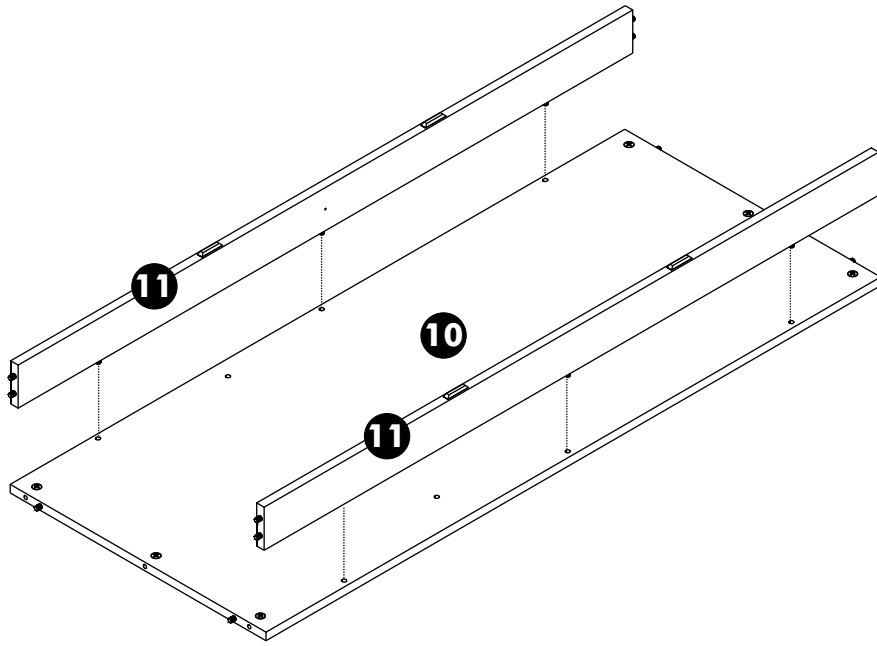
	X 12
	X 22

4.

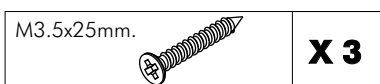
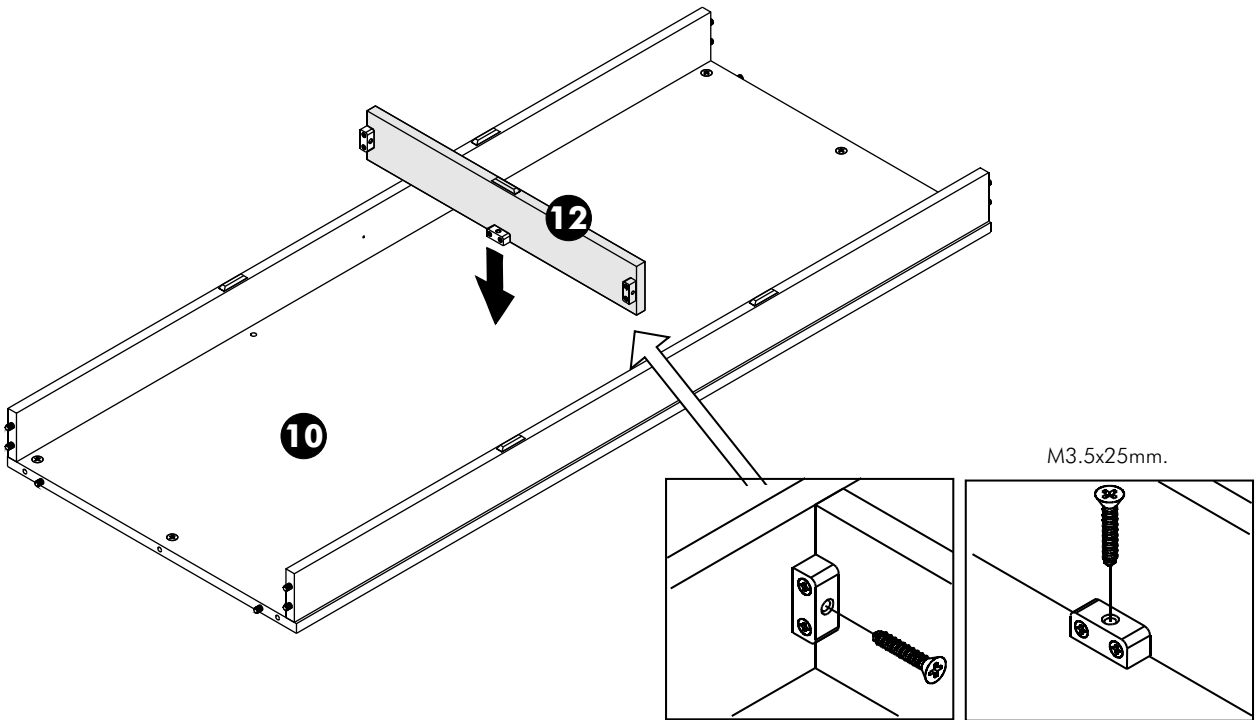


	X 3	M3.5x25mm.		X 4		X 2	
	X 7			X 2		X 2	
	X 8	5x3/4"		X 2	5x1/2"		X 4

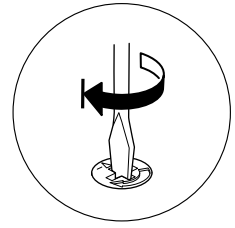
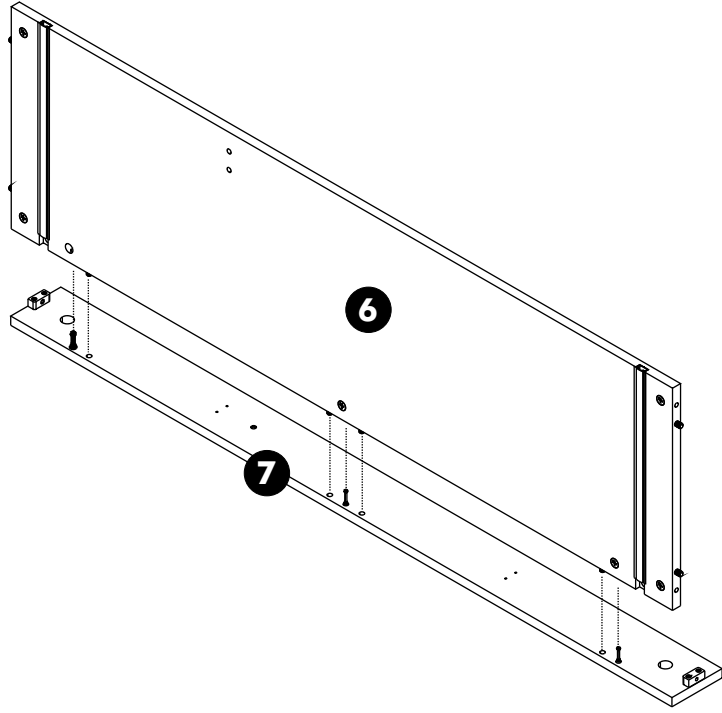
5.



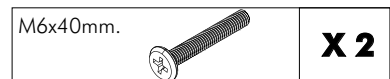
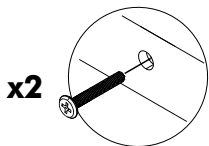
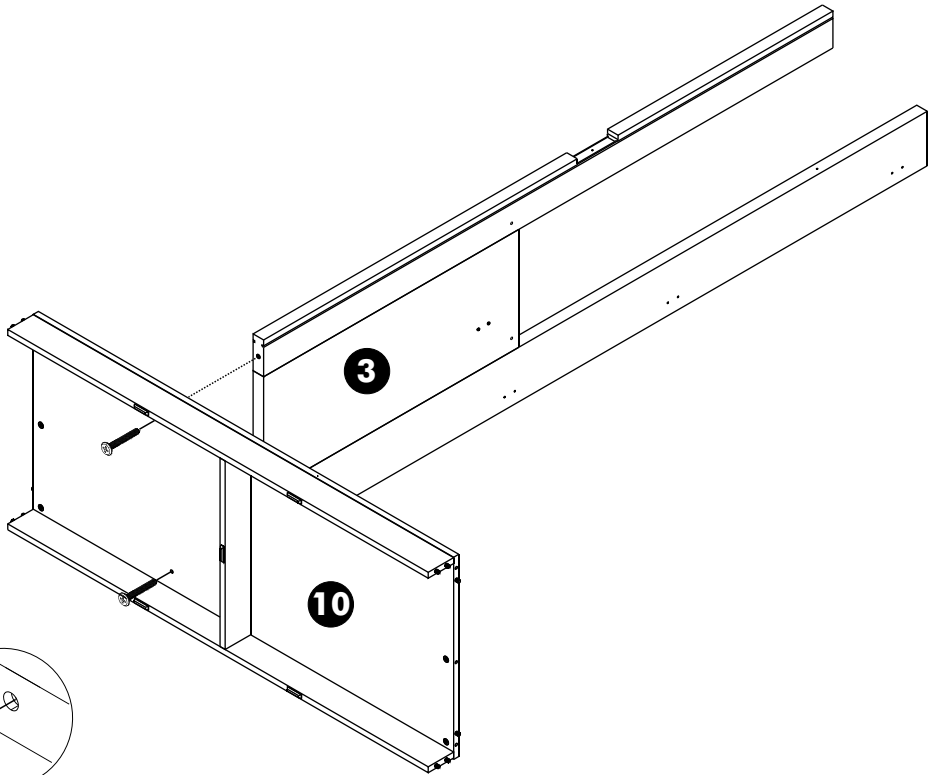
6.



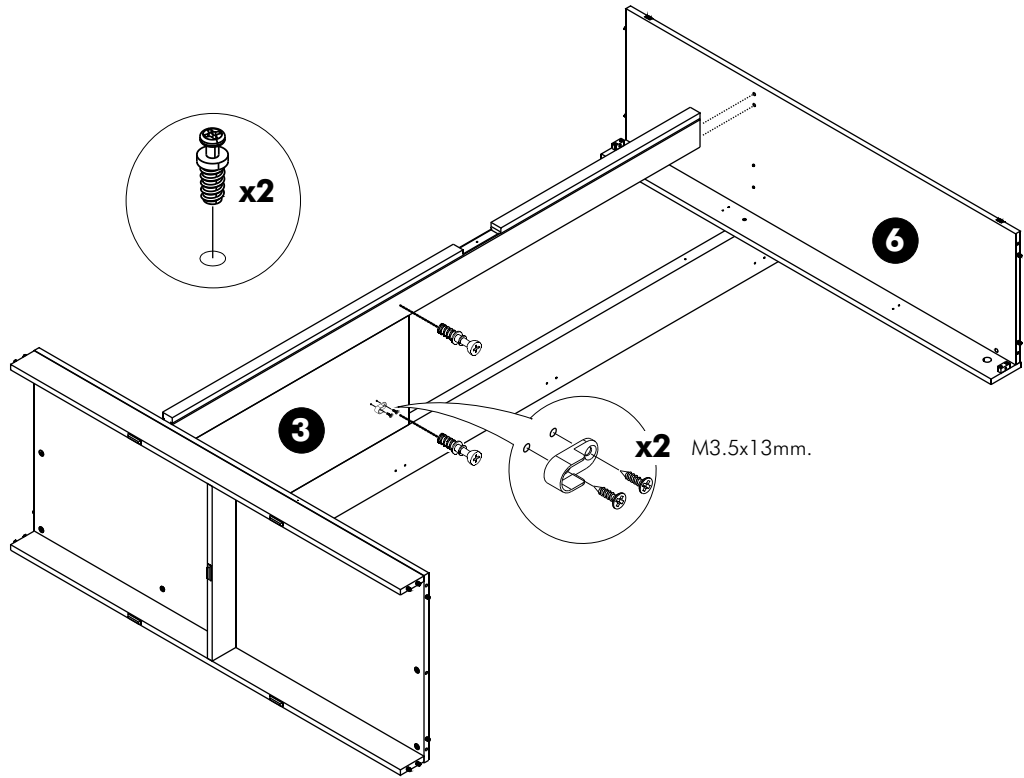
7.



8.



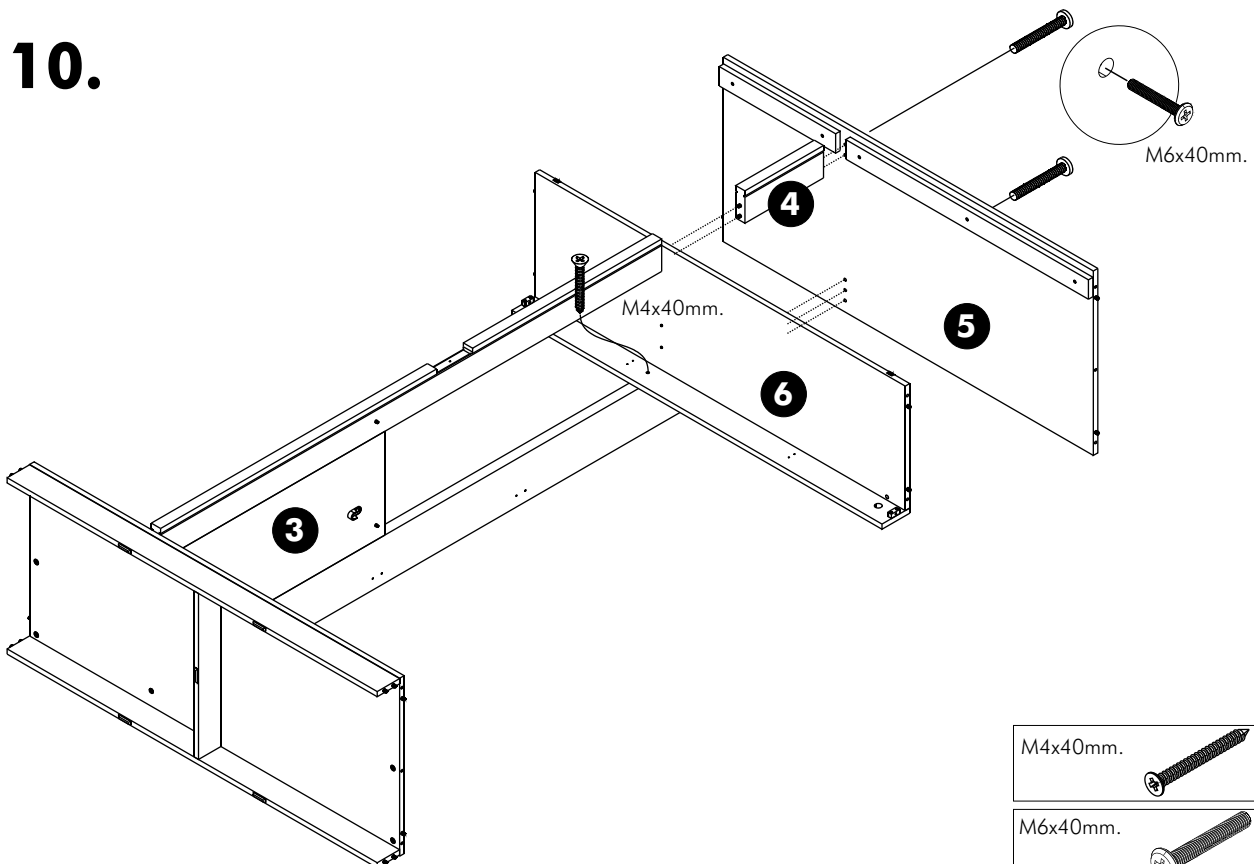
9.

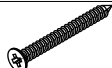


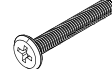
M3.5x13mm.		X 2
------------	--	------------

	X 1		X 2
---	------------	---	------------

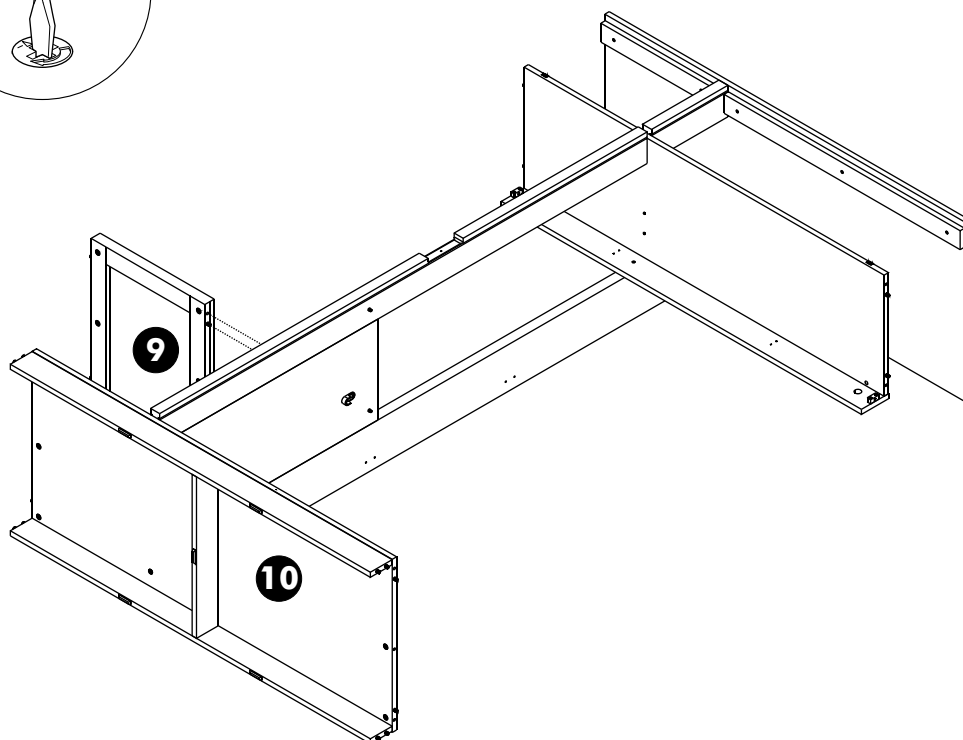
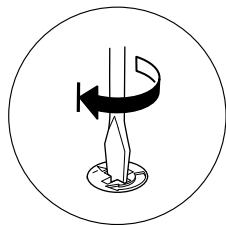
10.



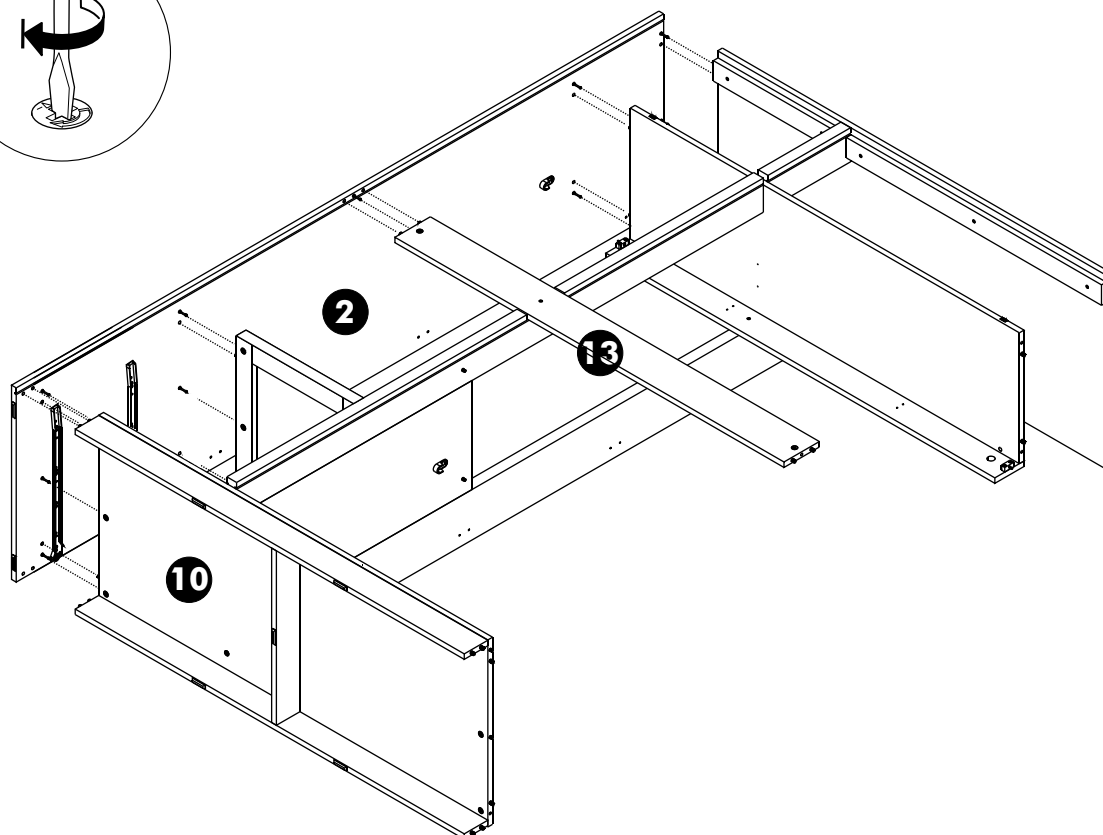
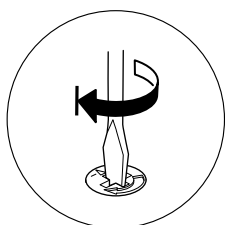
M4x40mm.		X 1
----------	---	------------

M6x40mm.		X 2
----------	---	------------

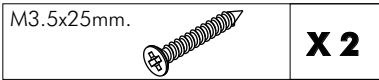
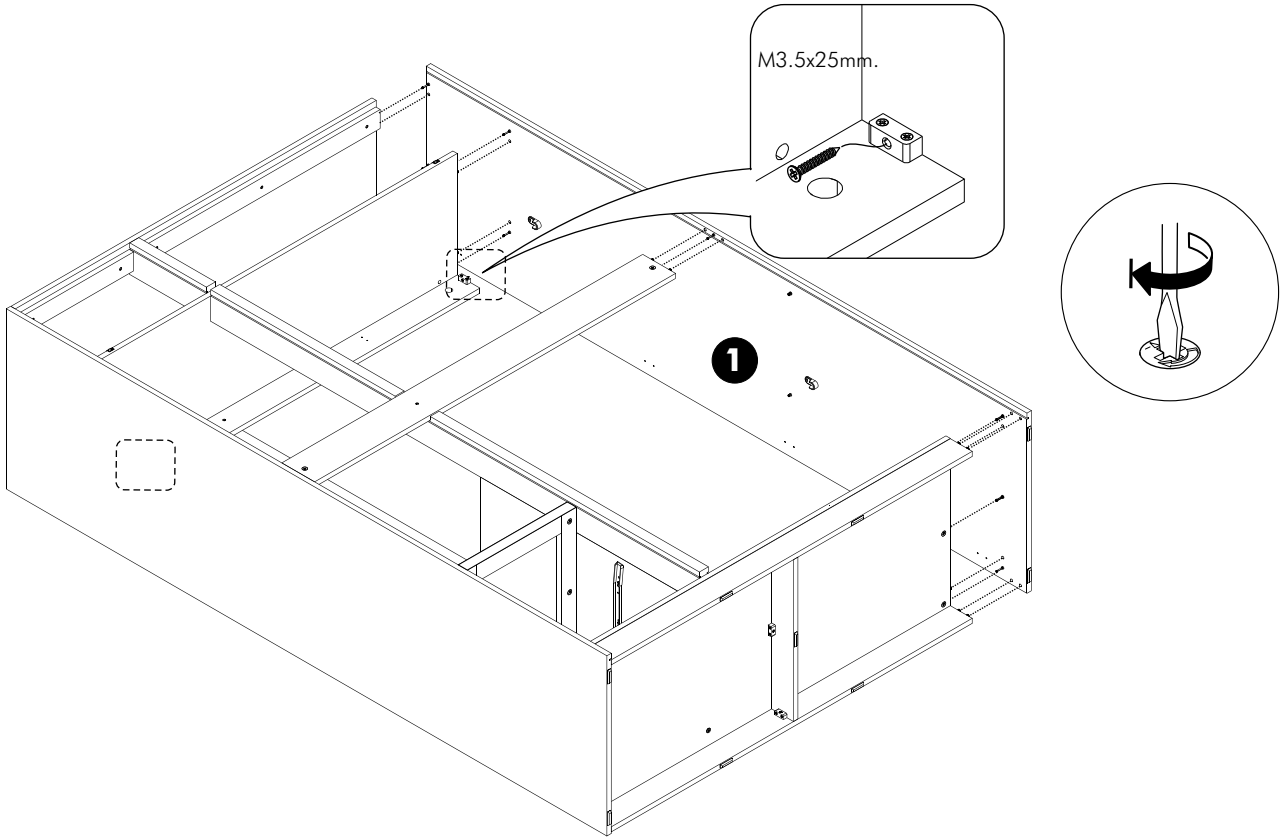
11.



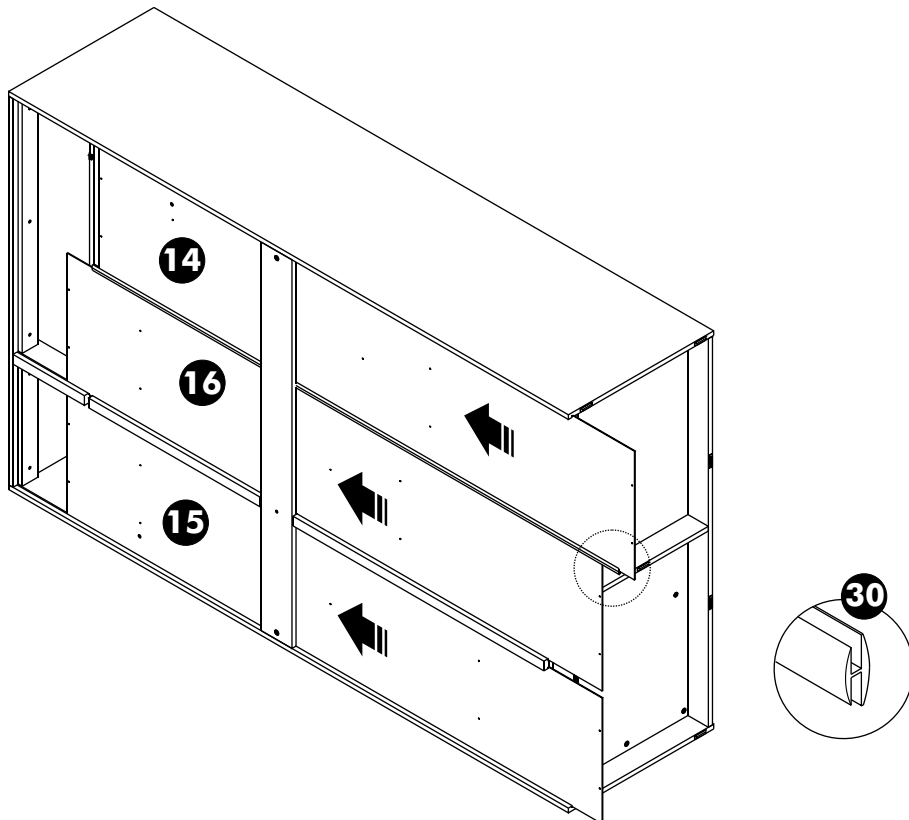
12.



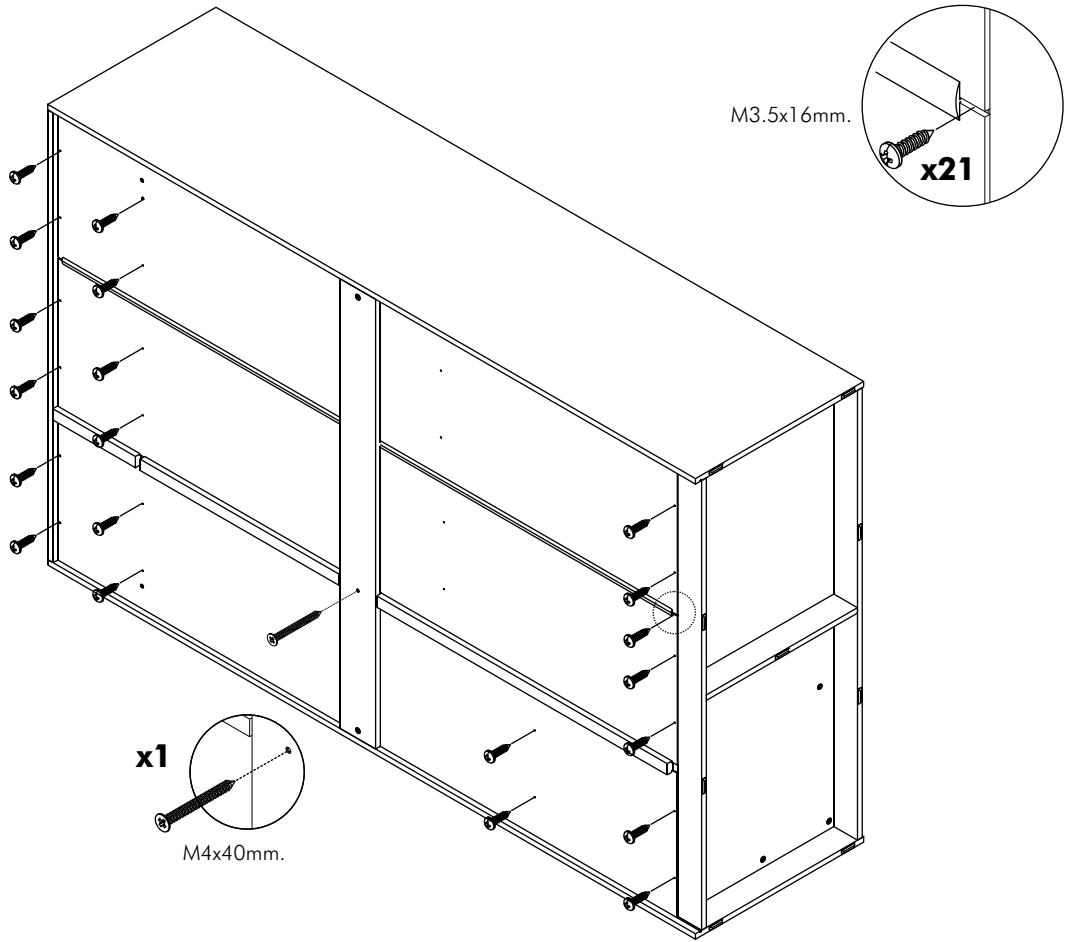
13.



14.



15.



M3.5x16mm.

x21

x1

M4x40mm.

M4x40mm.



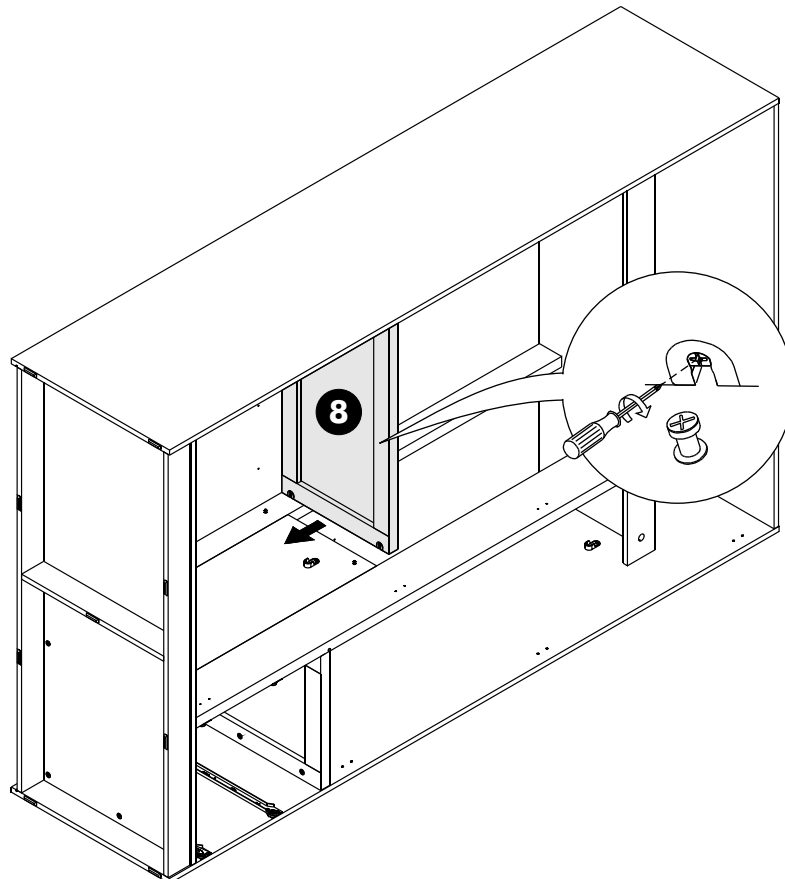
X 1

M3.5x16mm.



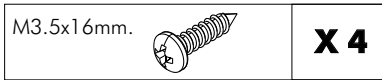
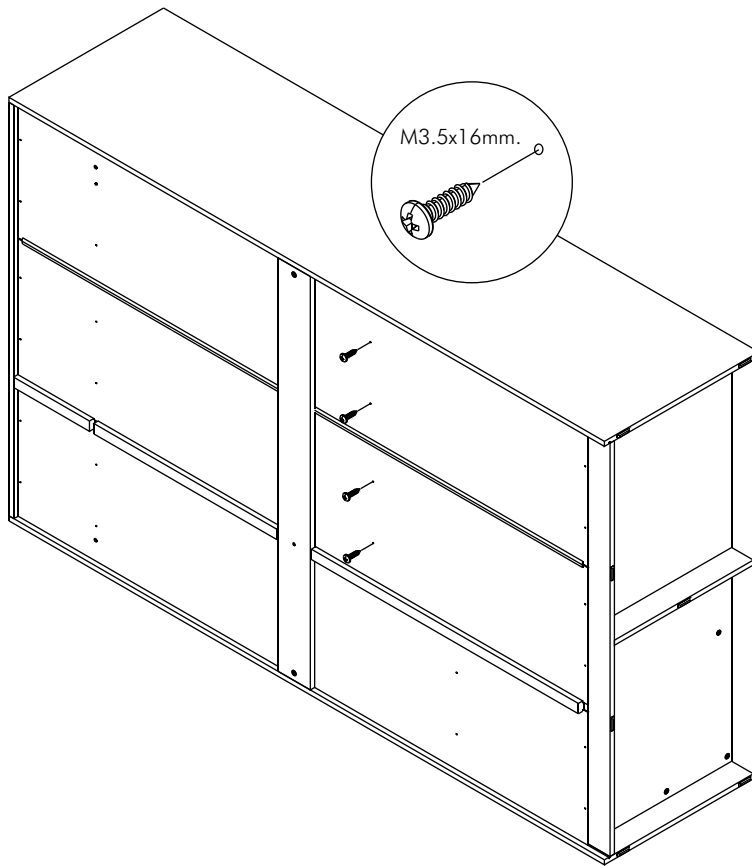
X 21

16.

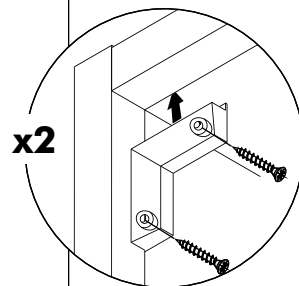
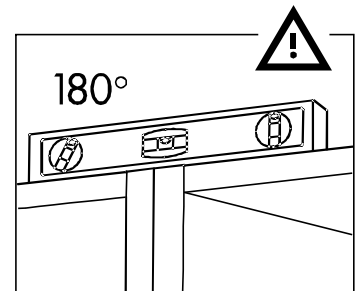
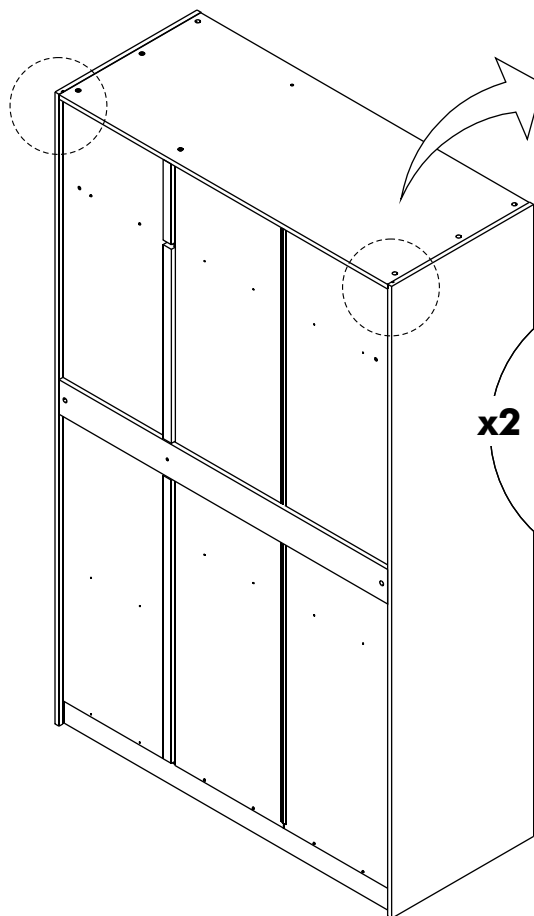
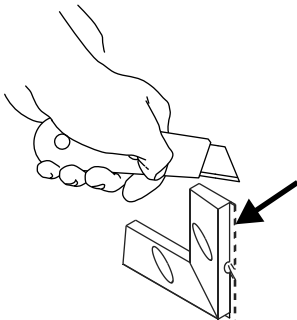
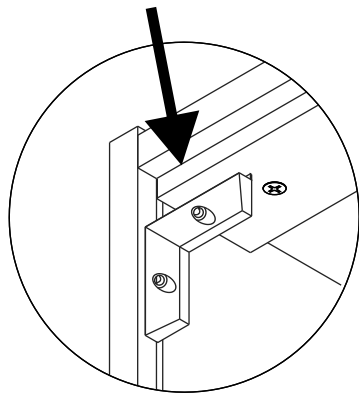


8

17.

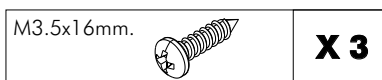
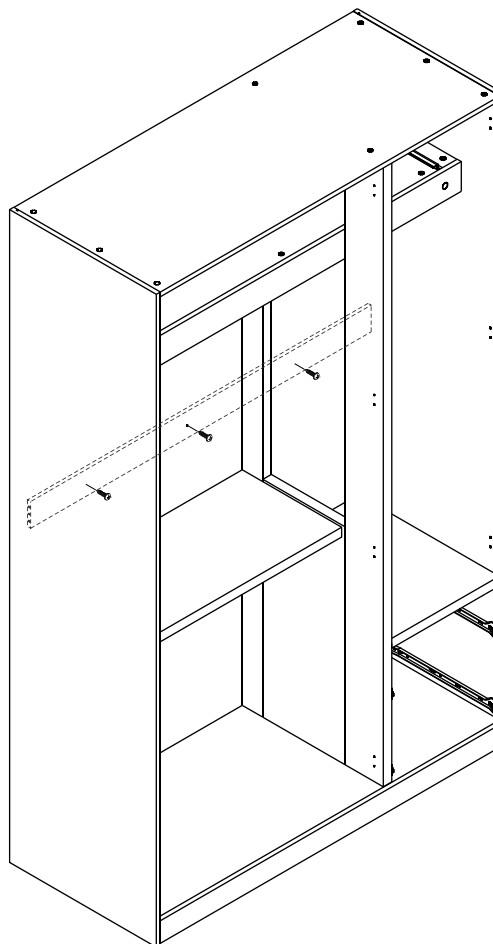
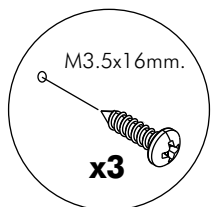


18.

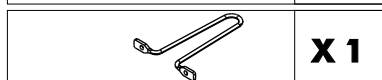
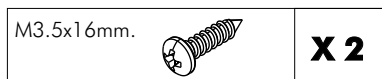
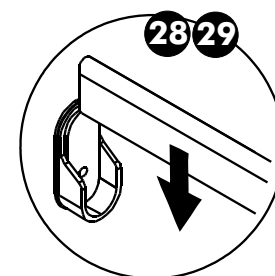
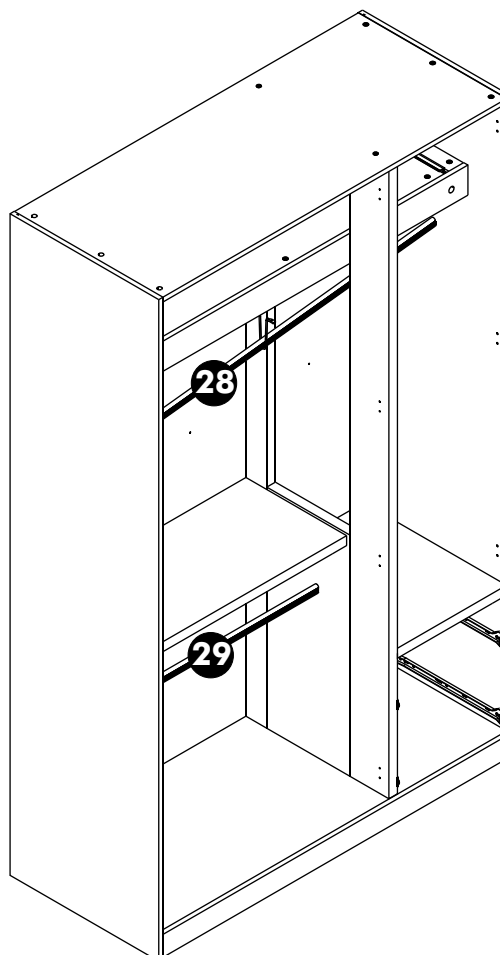
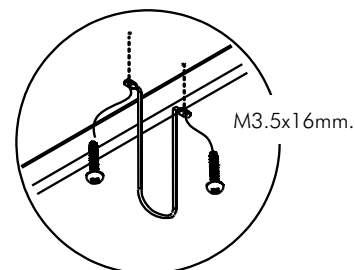


M3.5x20mm.

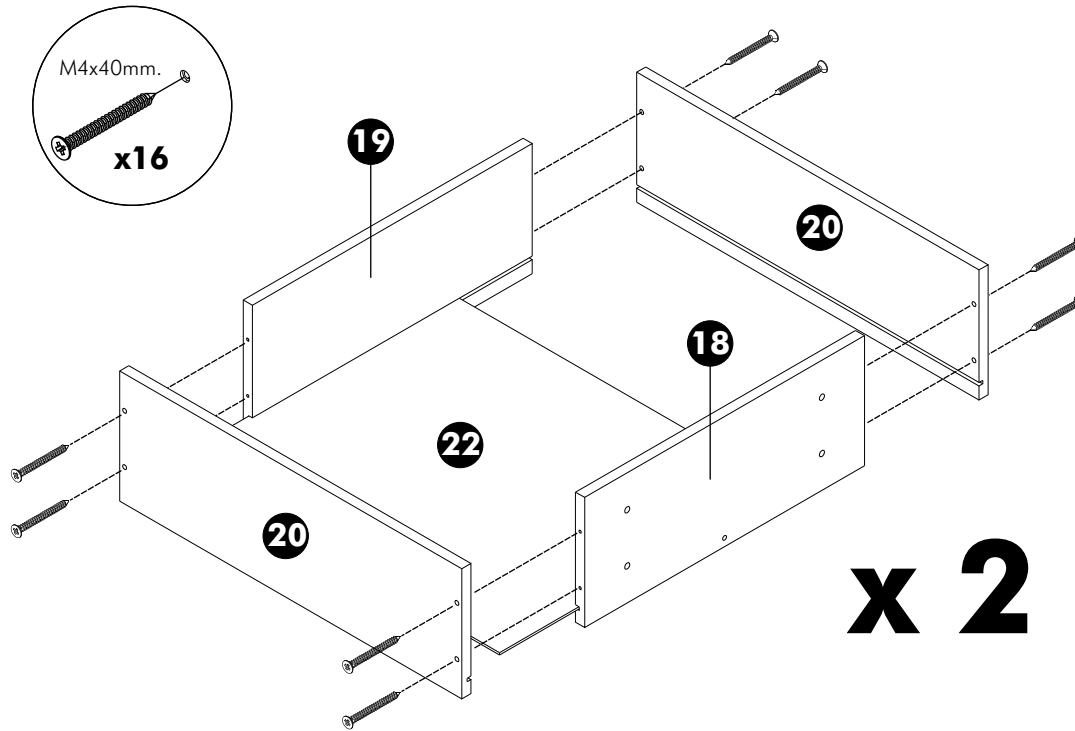
19.



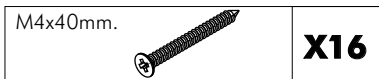
20.



21.

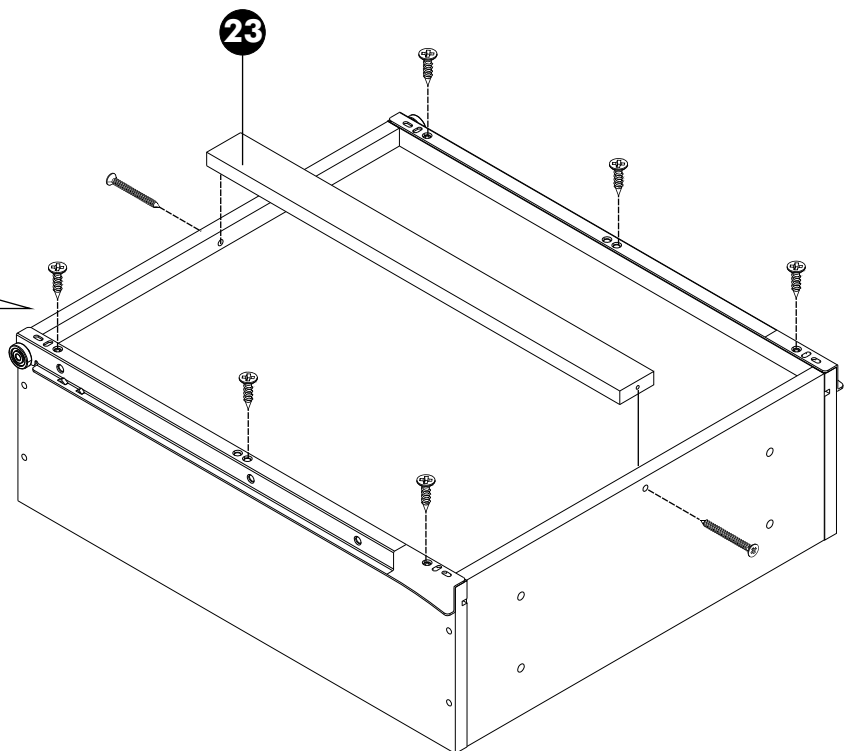
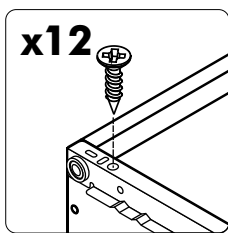


x 2

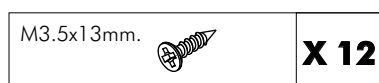
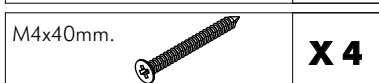
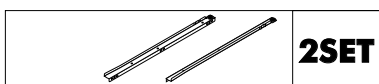


22.

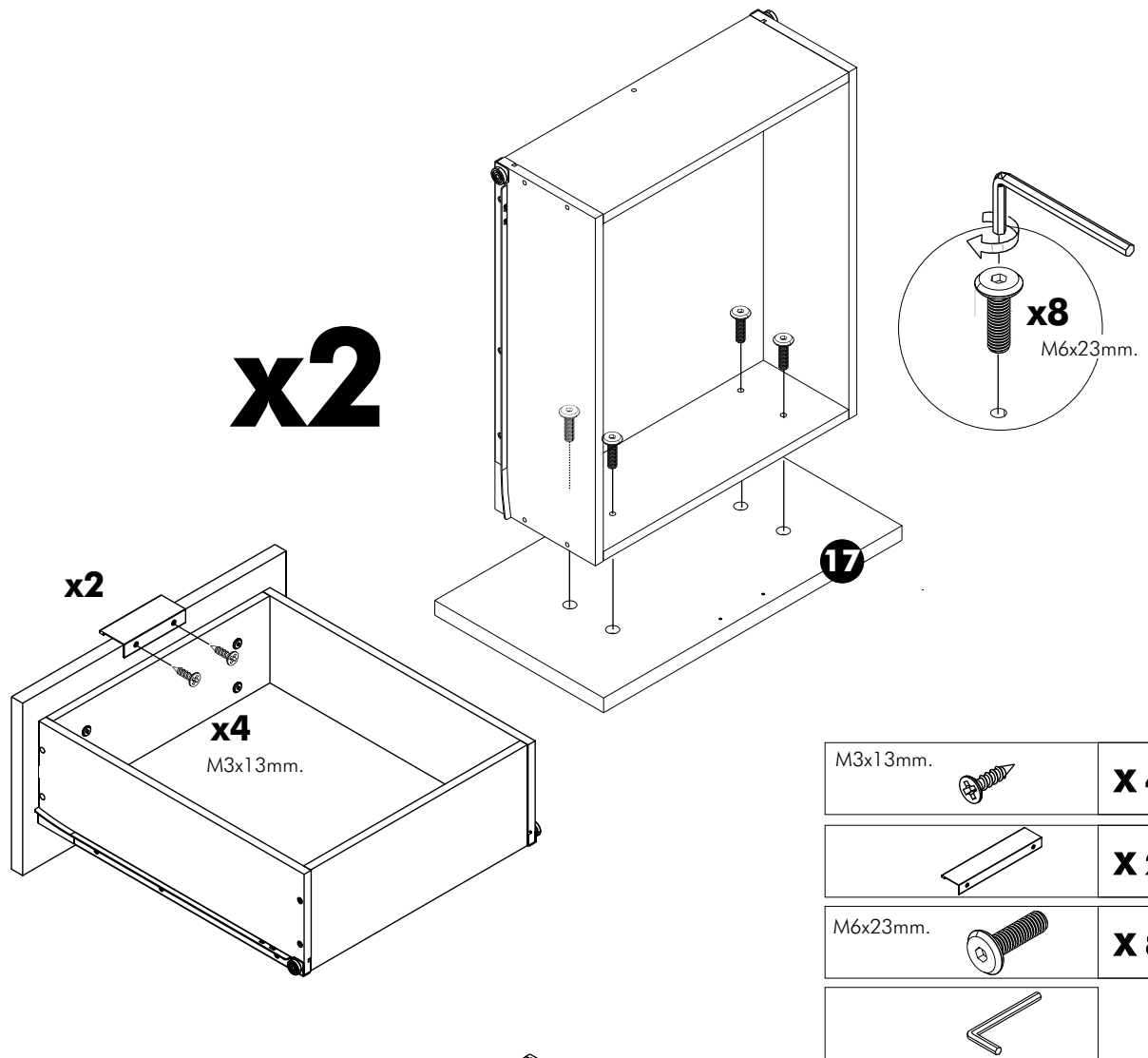
M3.5x13mm.



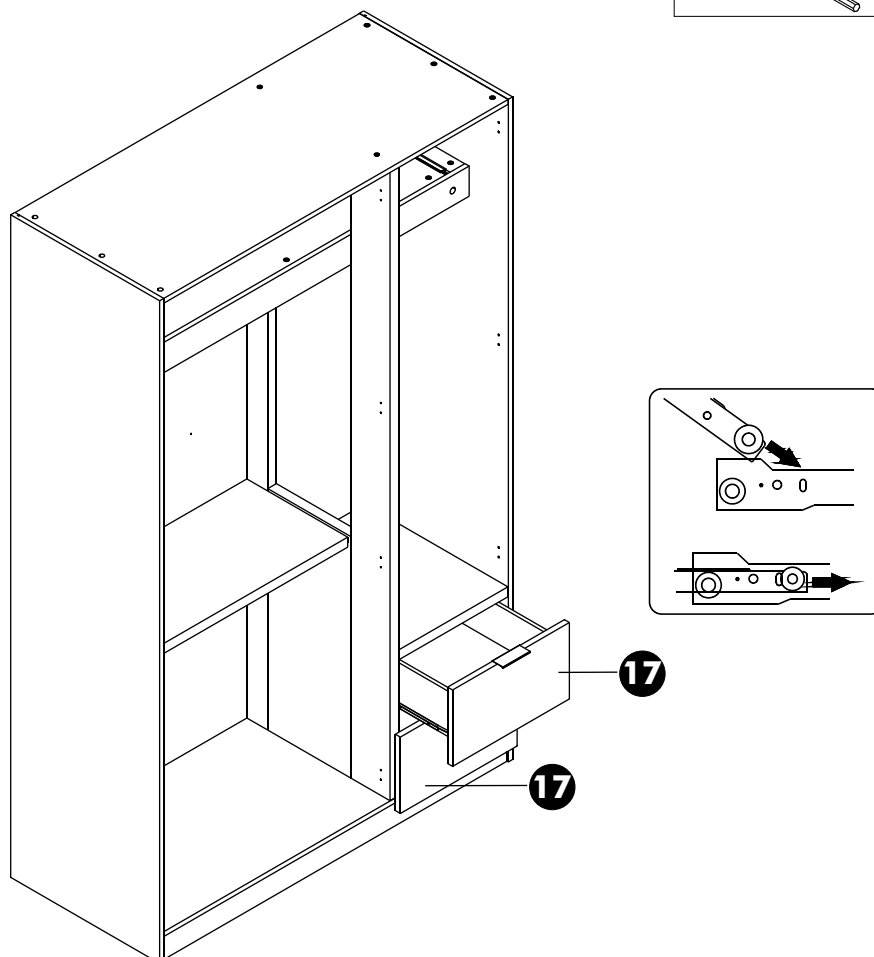
x 2



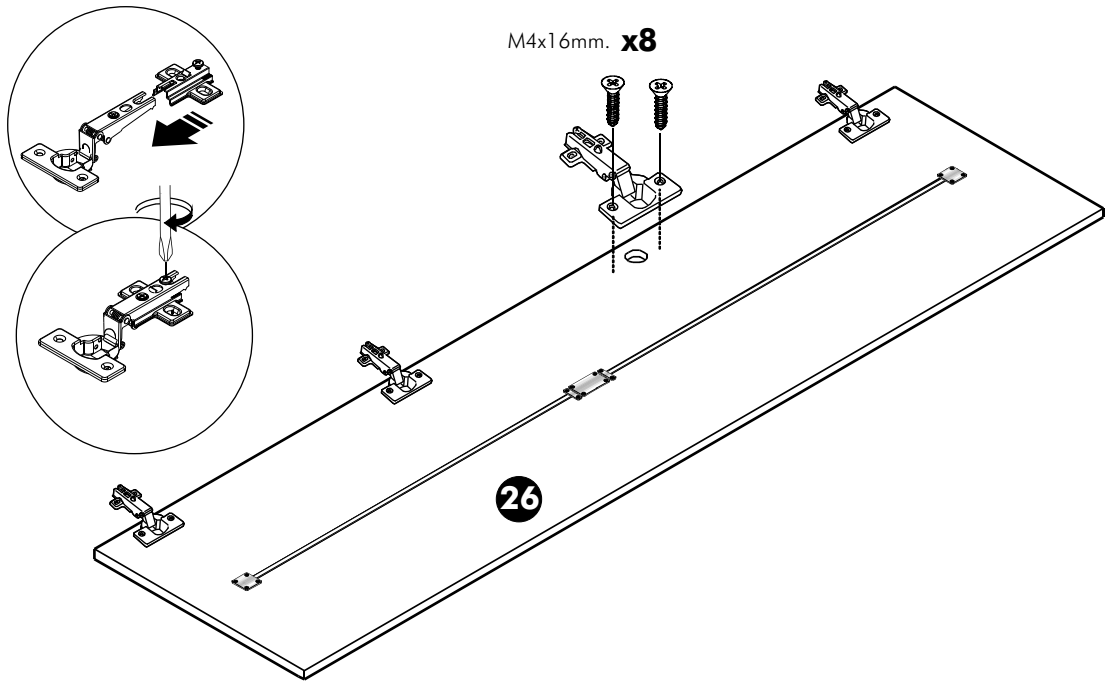
23.





24.

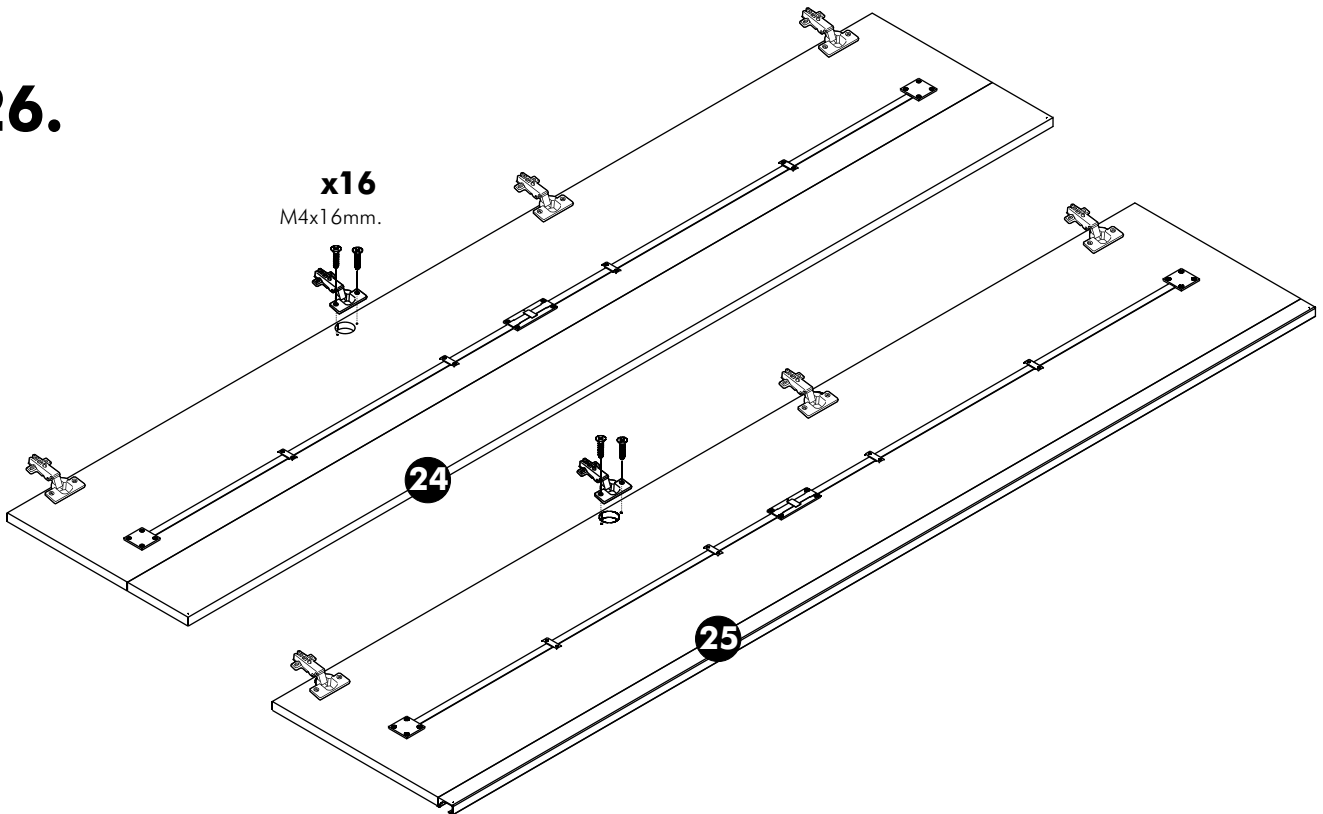



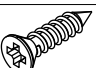
25.



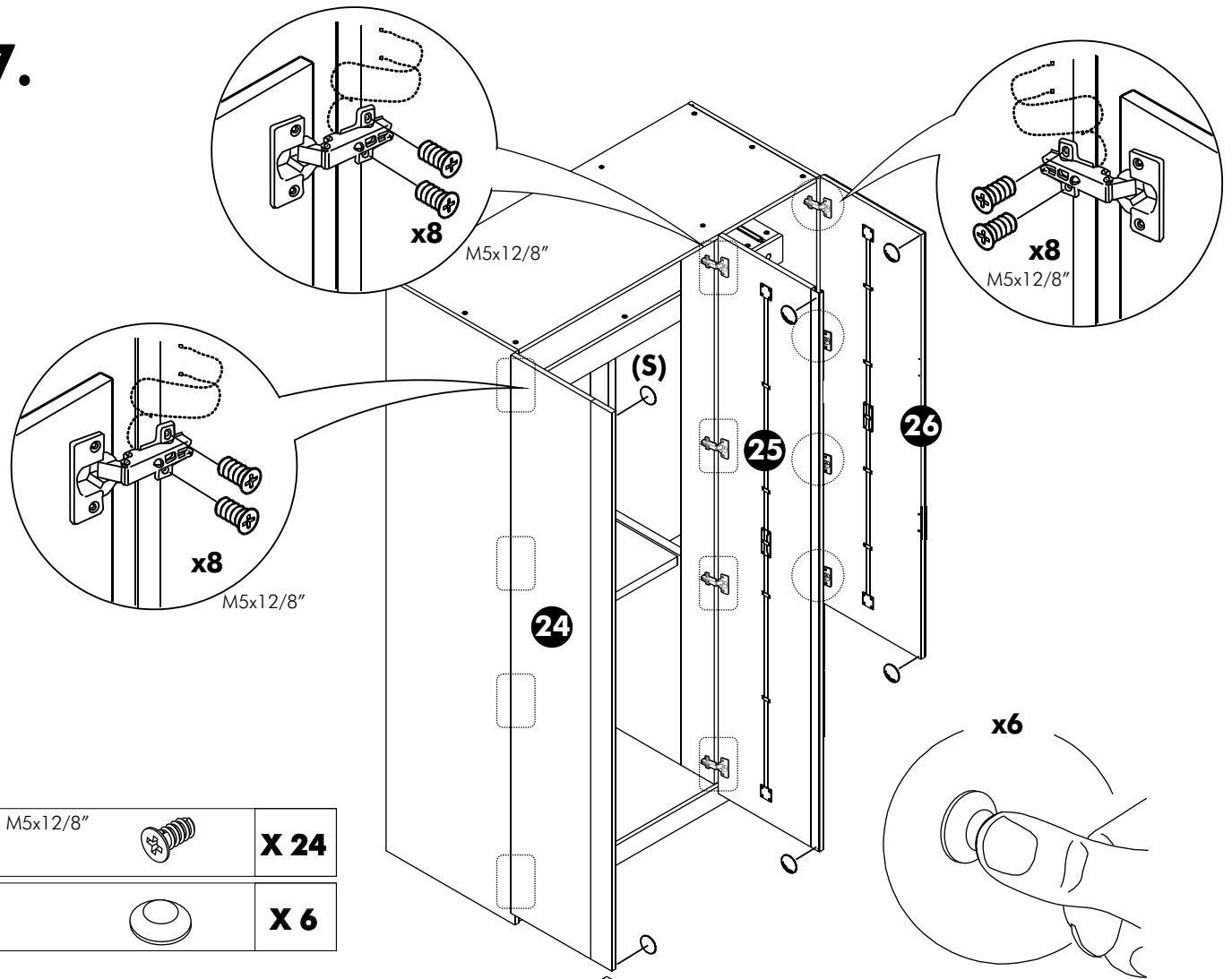
	X 4	M4x16mm.		X 8
---	------------	----------	---	------------



26.



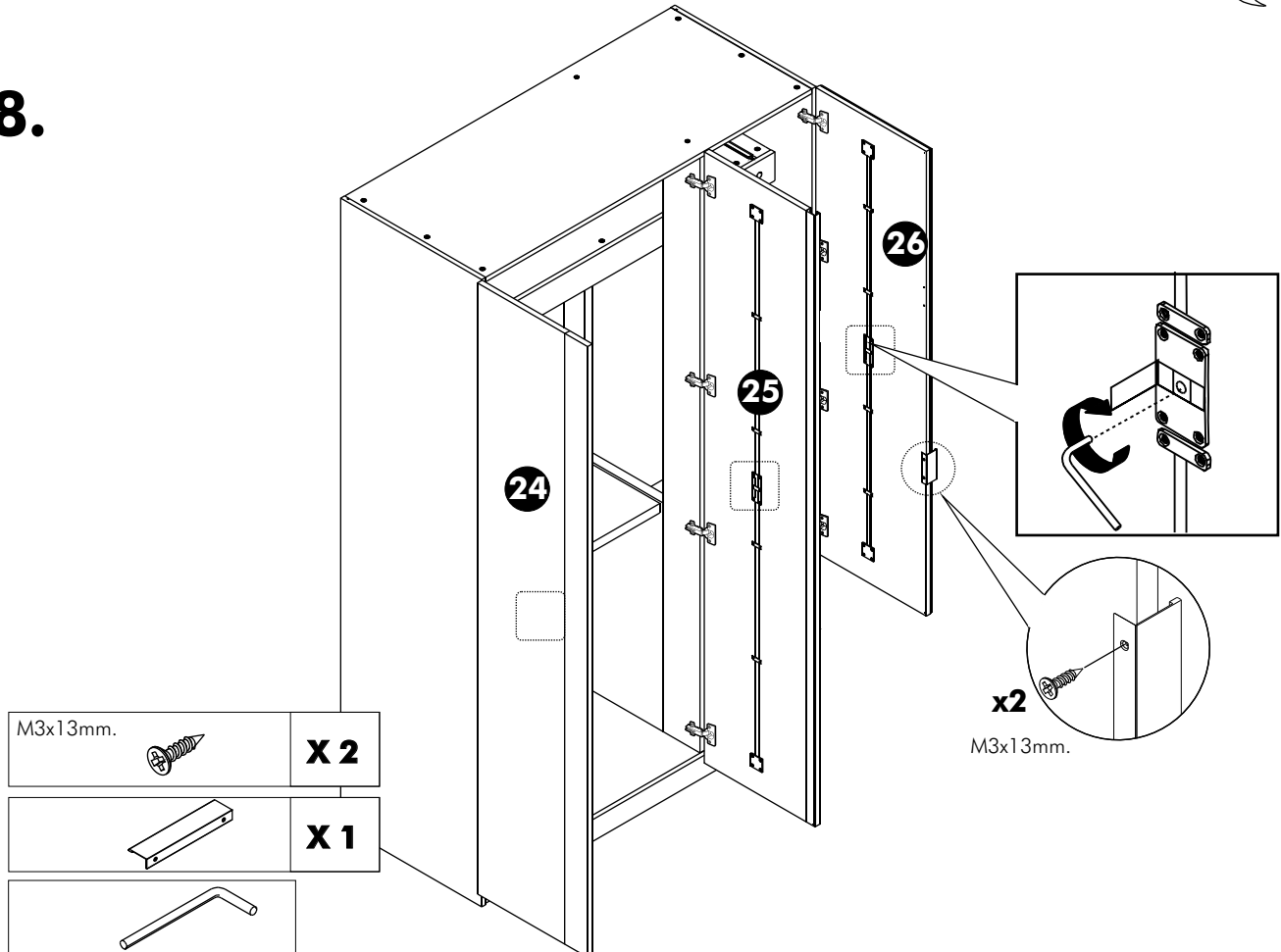
	X 8	M4x16mm.		X 16
---	------------	----------	---	-------------


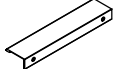

27.



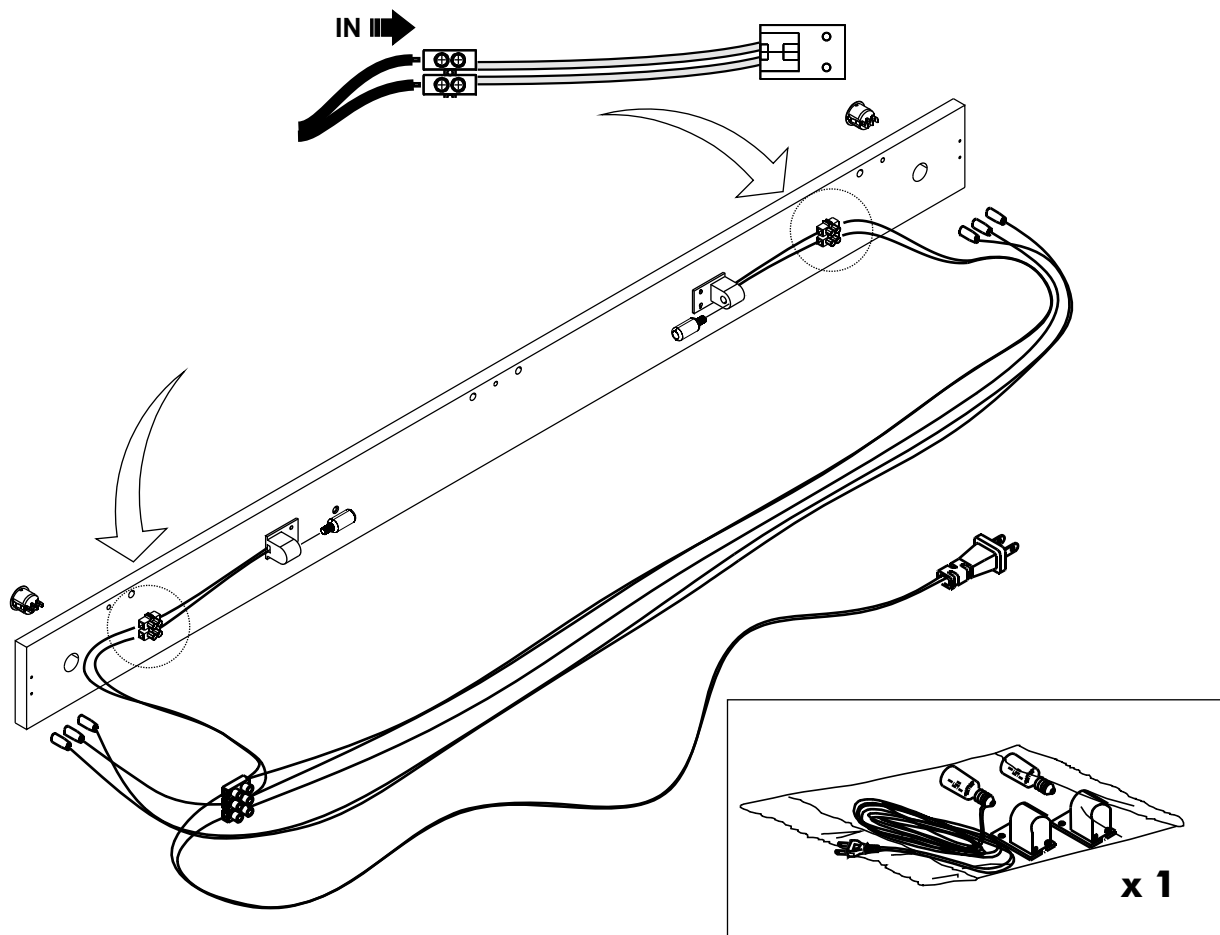
M5x12/8"		X 24
		X 6

28.

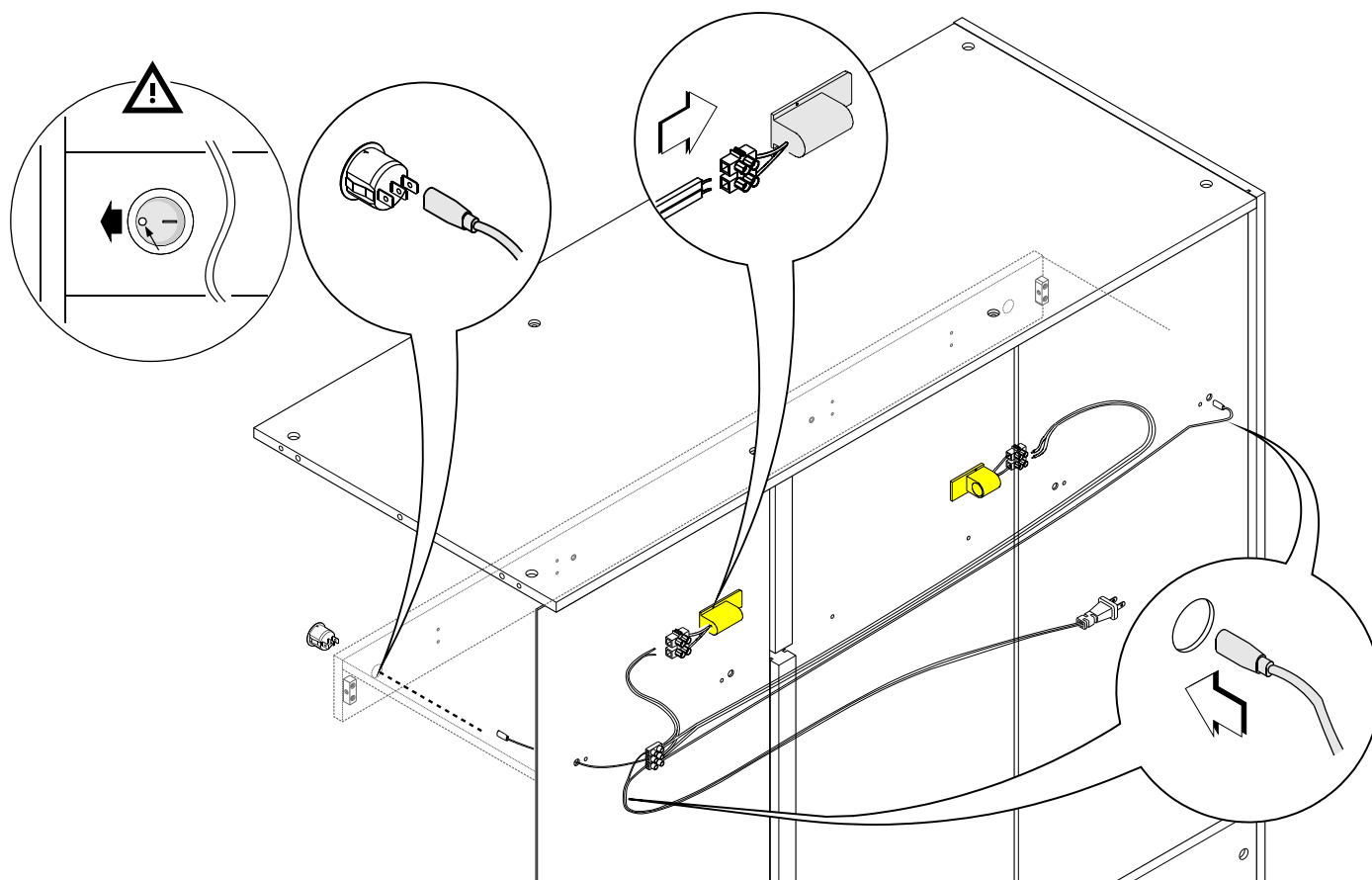


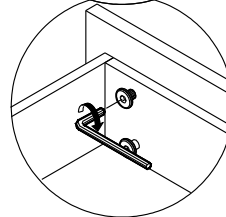
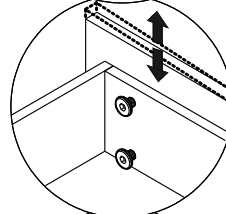
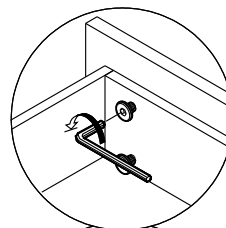
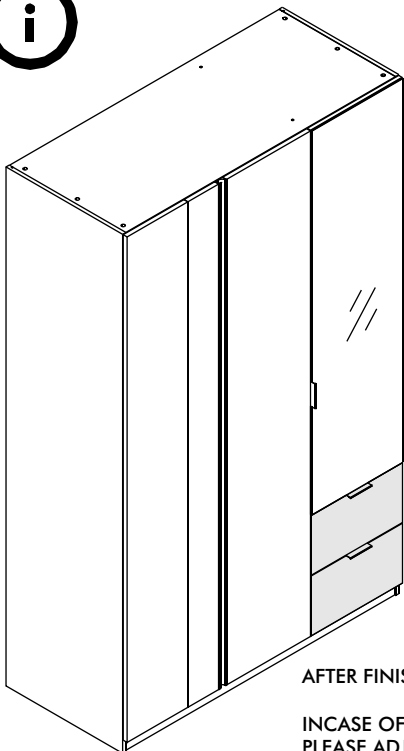
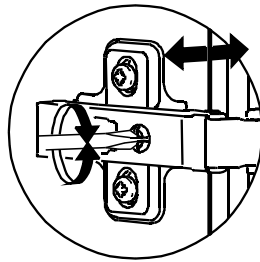
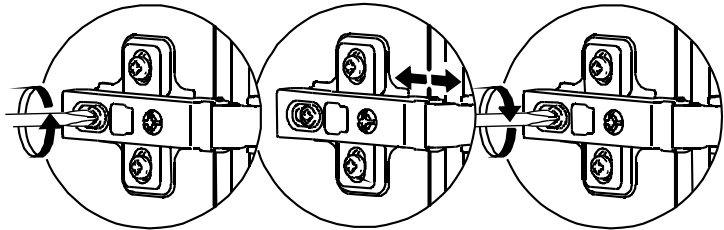
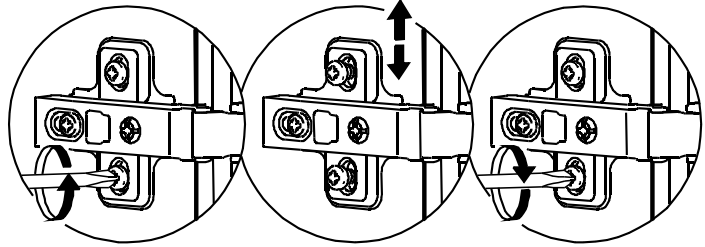
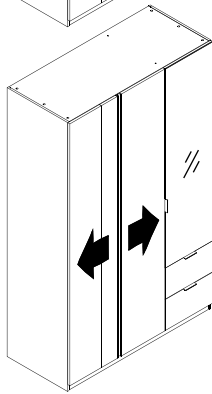
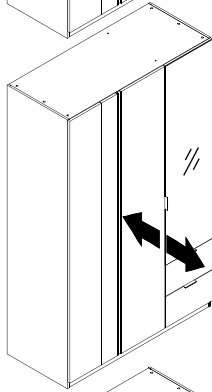
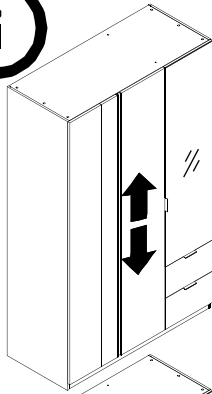
M3x13mm.		X 2
		X 1
		

29.



30.





AFTER FINISHED ASSEMBLY.

INCASE OF GAP BETWEEN DRAWERS ARE NOT ALIGN.
PLEASE ADJUST AS BELOW.

- 1.LOOSE SCREW A LITTLE BIT.
- 2.THEN MOVE FRONT DRAWER TO ALINGMENT POSITION.
- 3.TIGHTEN SCREW.

