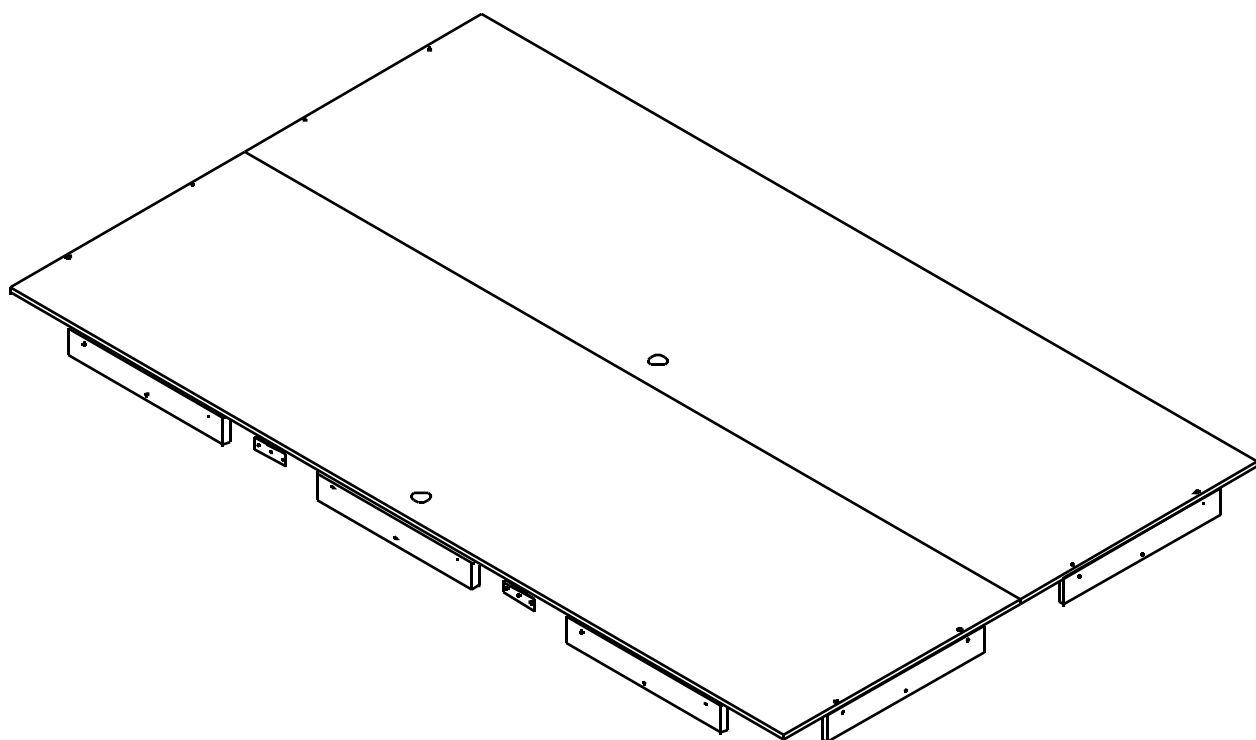


# FIRM

Wooden base PB 3.5ft.



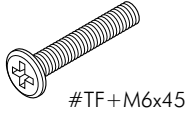
# HARDWARE

-BODY SET



#M4x16(P)

**x 8**



#TF+M6x45

**x 2**



**x 2**

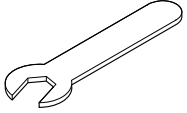


**x 2**



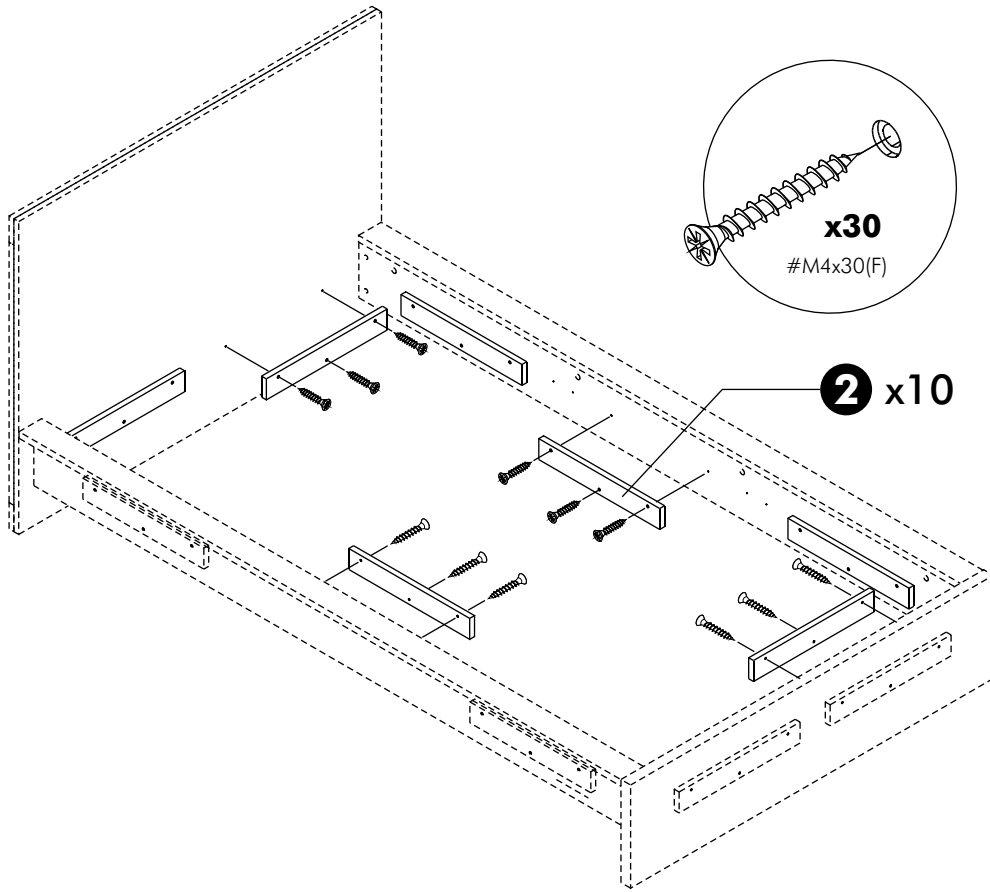
#M4x30(F)

**x 38**

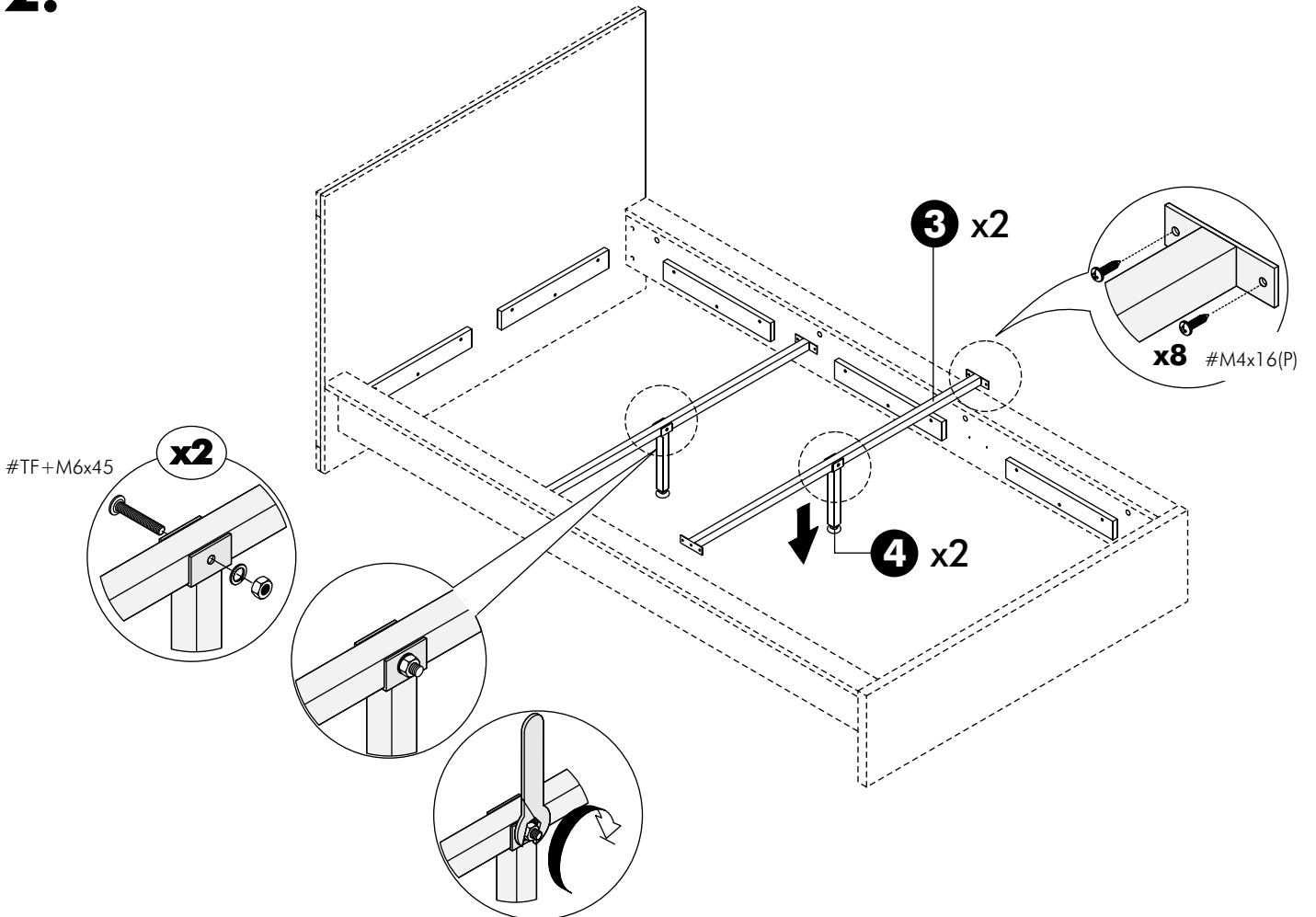


**x 1**

1.



2.



**3.**

