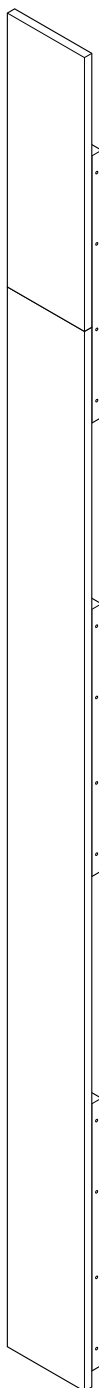


# ITAL-SMART

**Front filler 300 cm.**



# HARDWARE

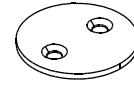
-BODY SET



**X 21**



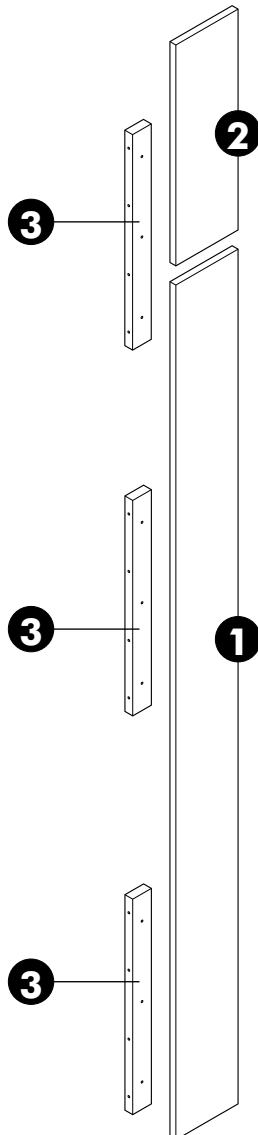
**X 2**



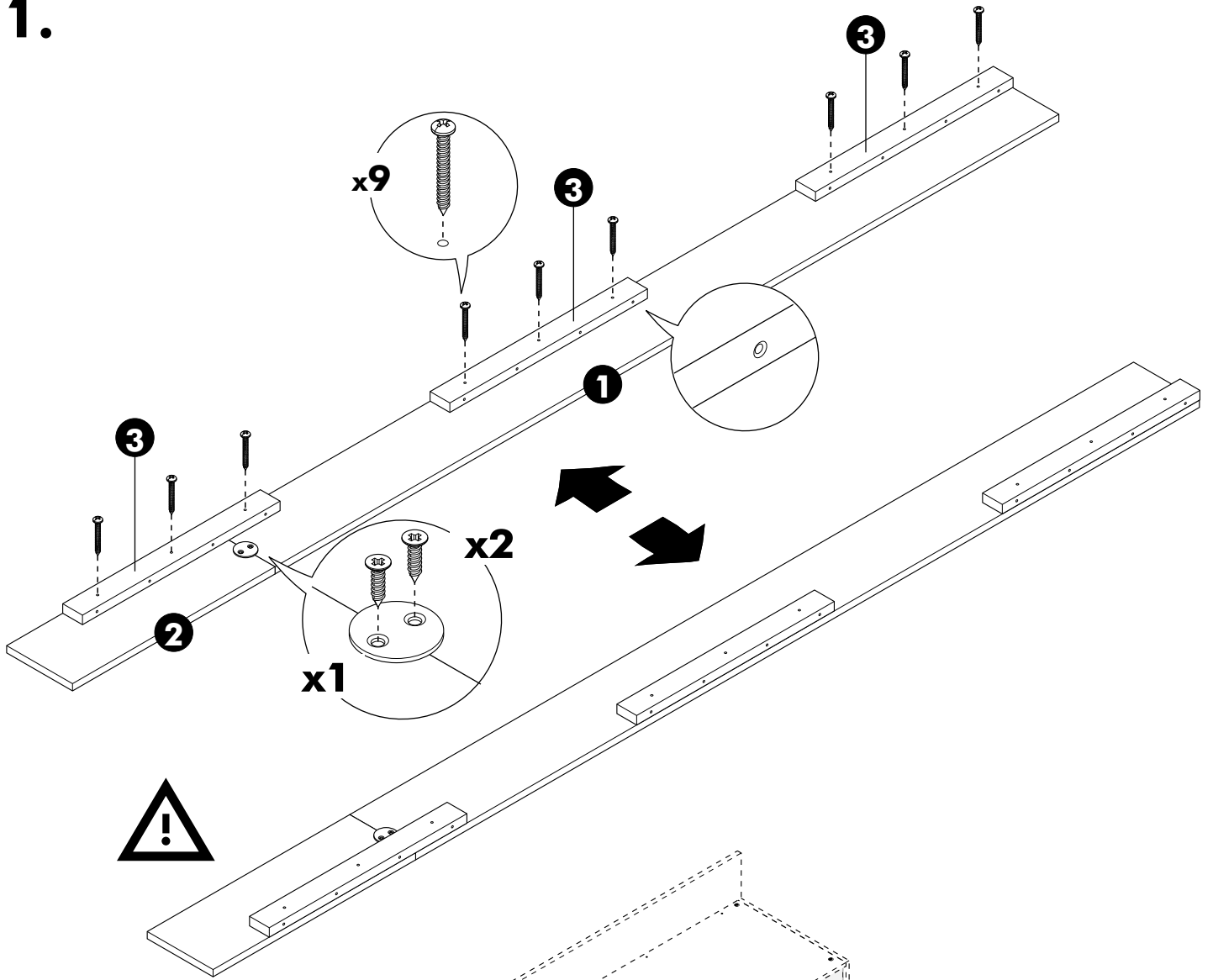
**X 1**

---

## PART



**1.**



**2.**

