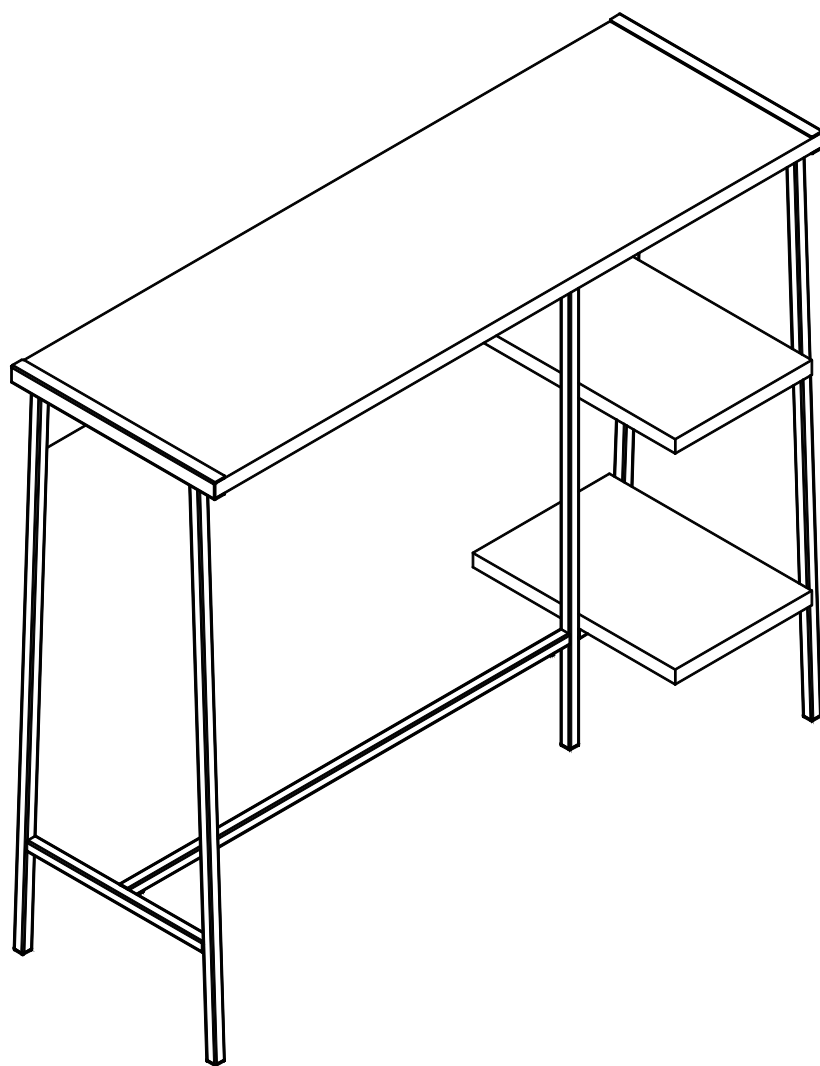
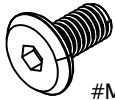


BARINA

Bar table



HARDWARE

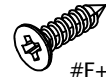


#M6x15

X8

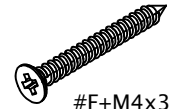


X8



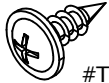
#F+M4x16

X10



#F+M4x30

X7



#TW CR+3 M5x14

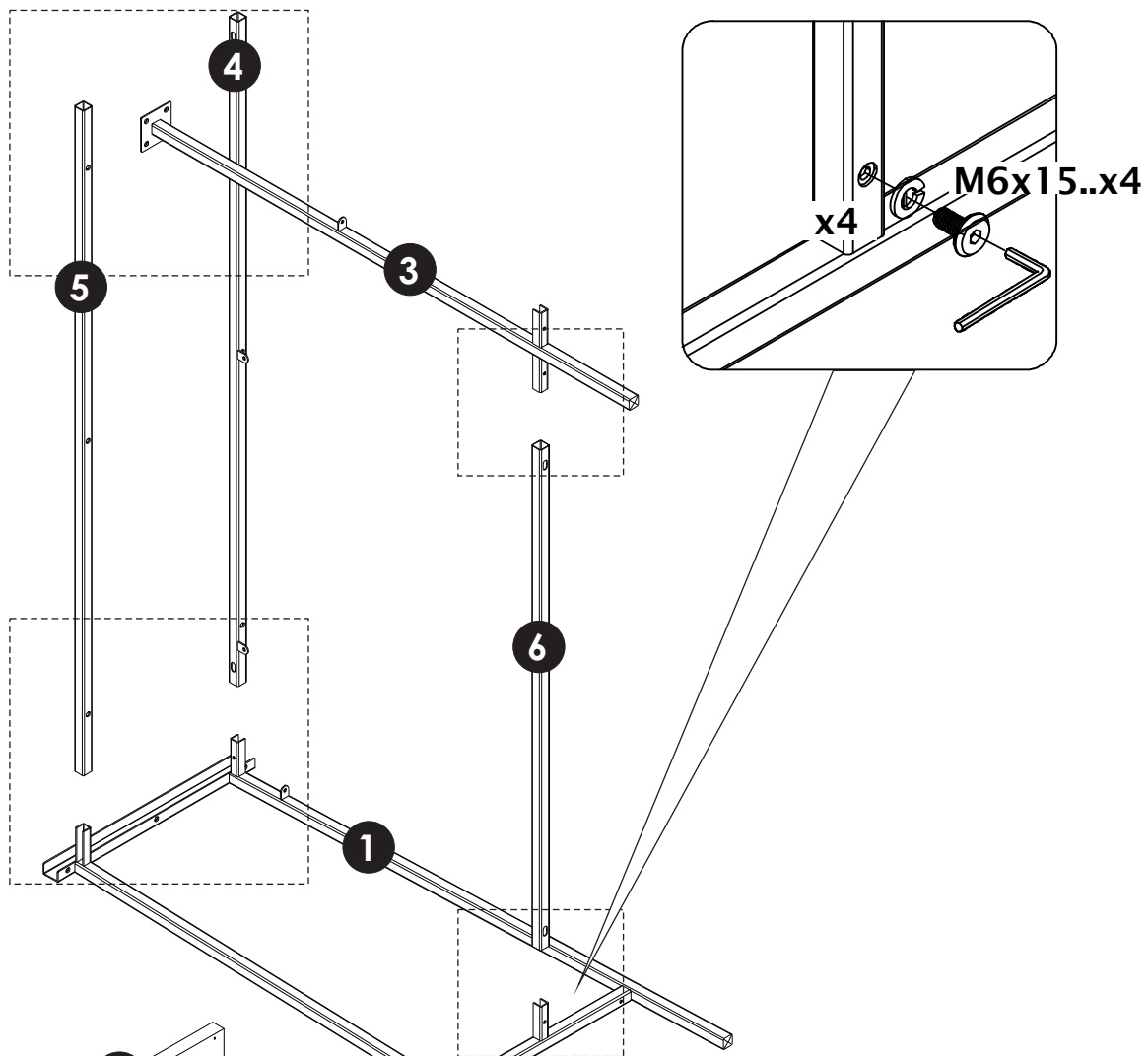
X10



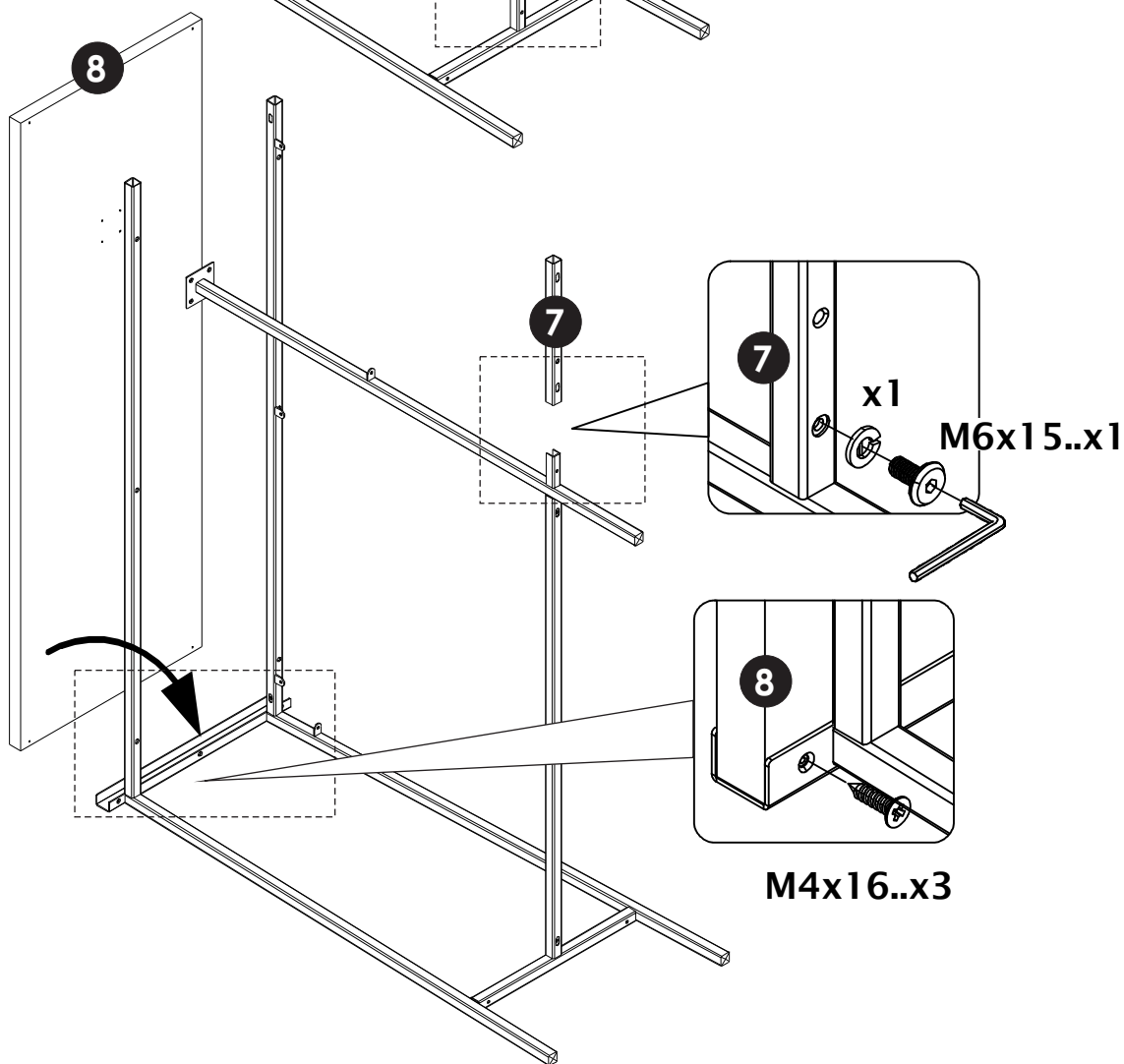
#M4

X1

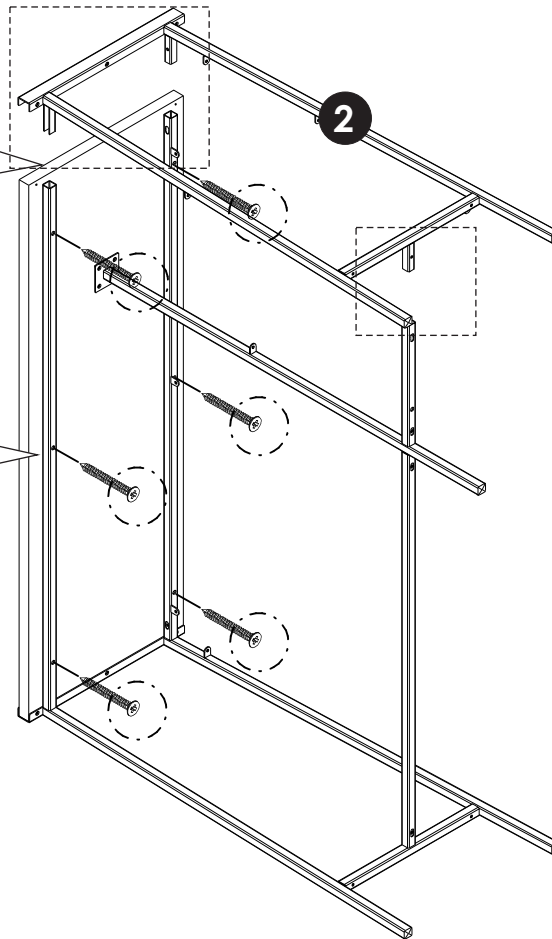
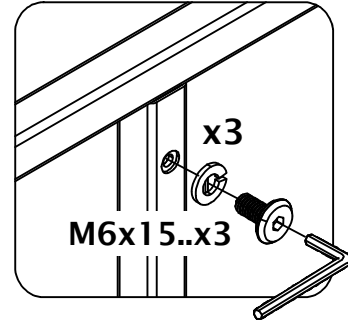
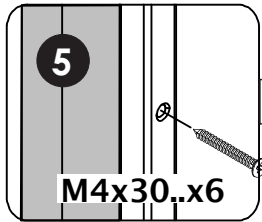
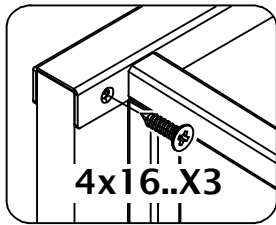
1.



2.



3.



4.



M5x14..x5

