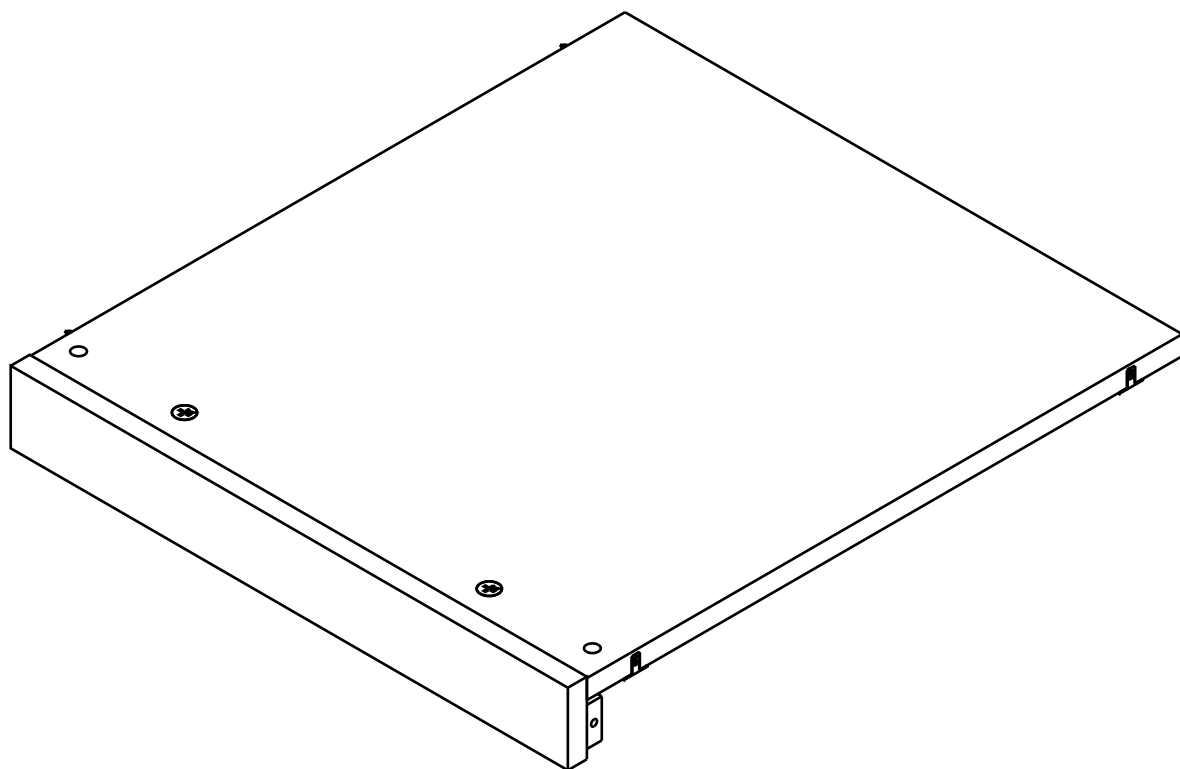


# ITAL-SMART

**Shelf+LED+switch 50cm./57**



# CONNECT SYSTEM

**1**

**3**

**2**

(Connecting bolts)

**WHEN FITTING CAMS**  
 ENSURE STARTING POSITION IS CORRECT  
 BEFORE YOU INSERT CONNECTING BOLT  
 TURN CLOCKWISE UNTIL SECURE

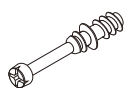
✓		✗	✗	✗	✗
↑					✗
<b>CORRECT</b>		<b>WRONG</b>			

**1**

M4x16mm.

**2**

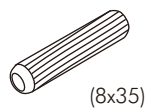
# HARDWARE



**X 2**

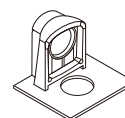


**X 2**

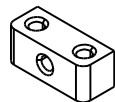


(8x35)

**X 2**



**X 4**



**X 2**



M4x25mm.

**X 6**



M4x16mm.

**X 4**



Ø13mm.

**X 2**

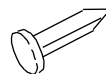


M3.5x25mm.

**X 4**



**X 5**



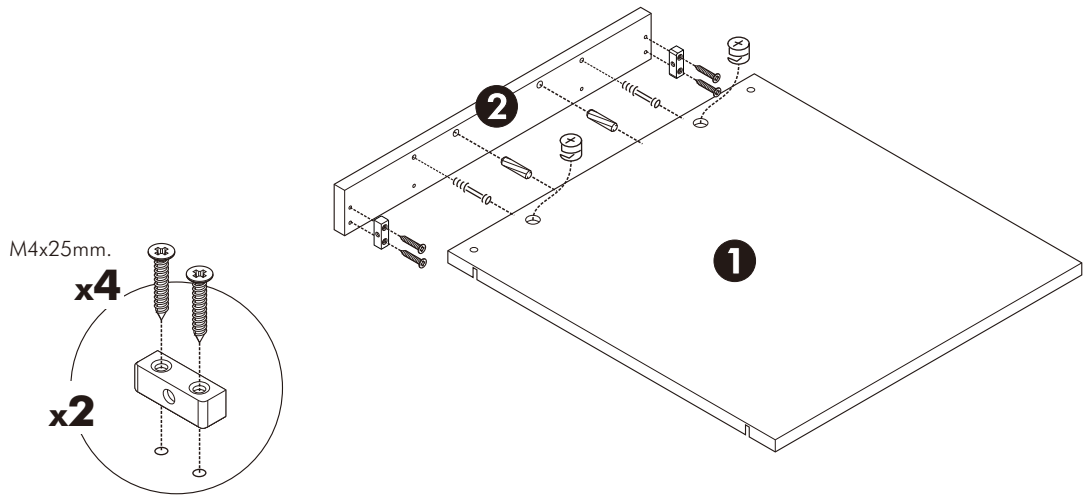
**X 5**



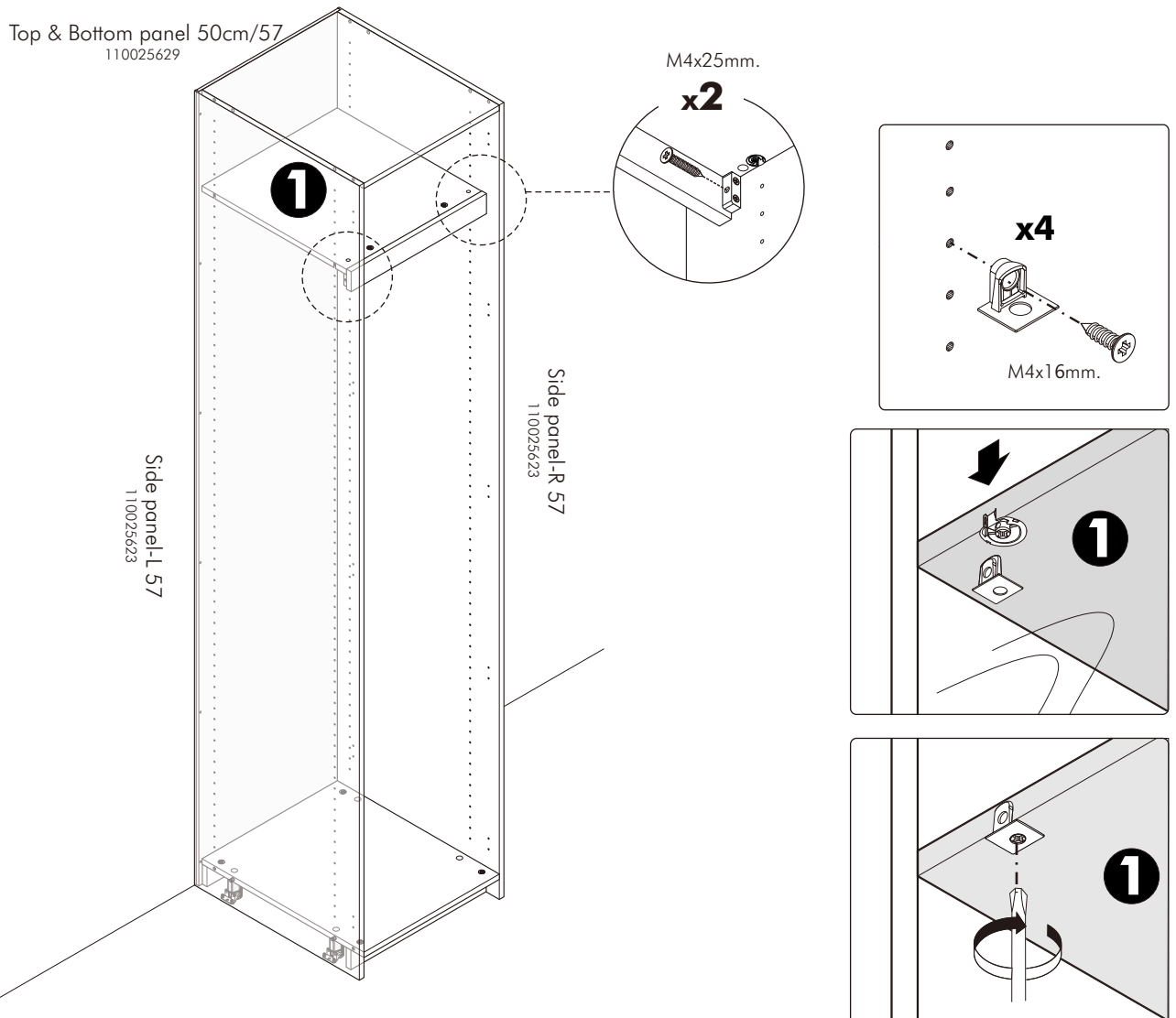
M3x20mm.

**X 2**

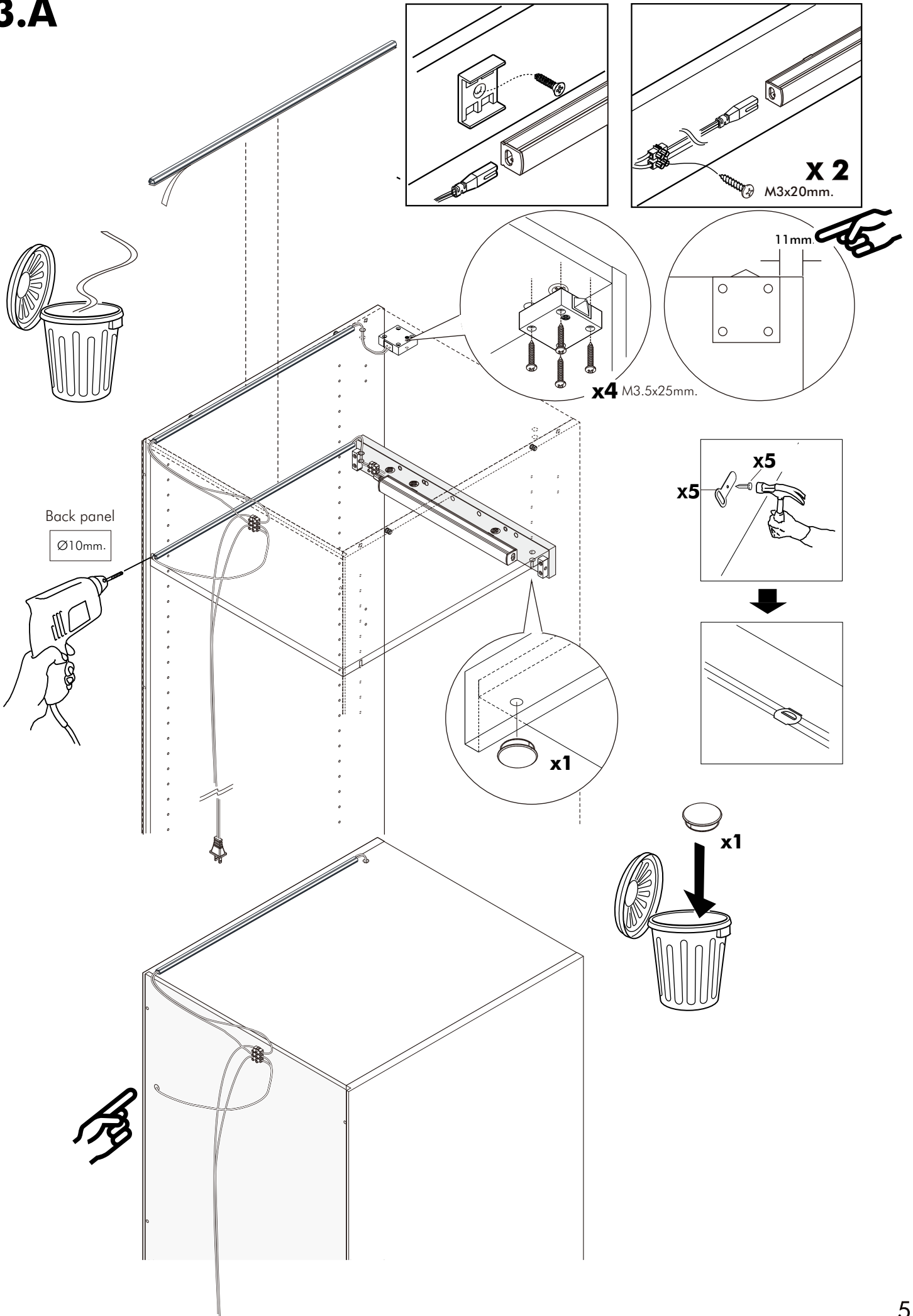
# 1.



# 2.



# 3.A



# 3.B

Top box 50cm/57  
110025620

Back panel  
Ø10mm.

