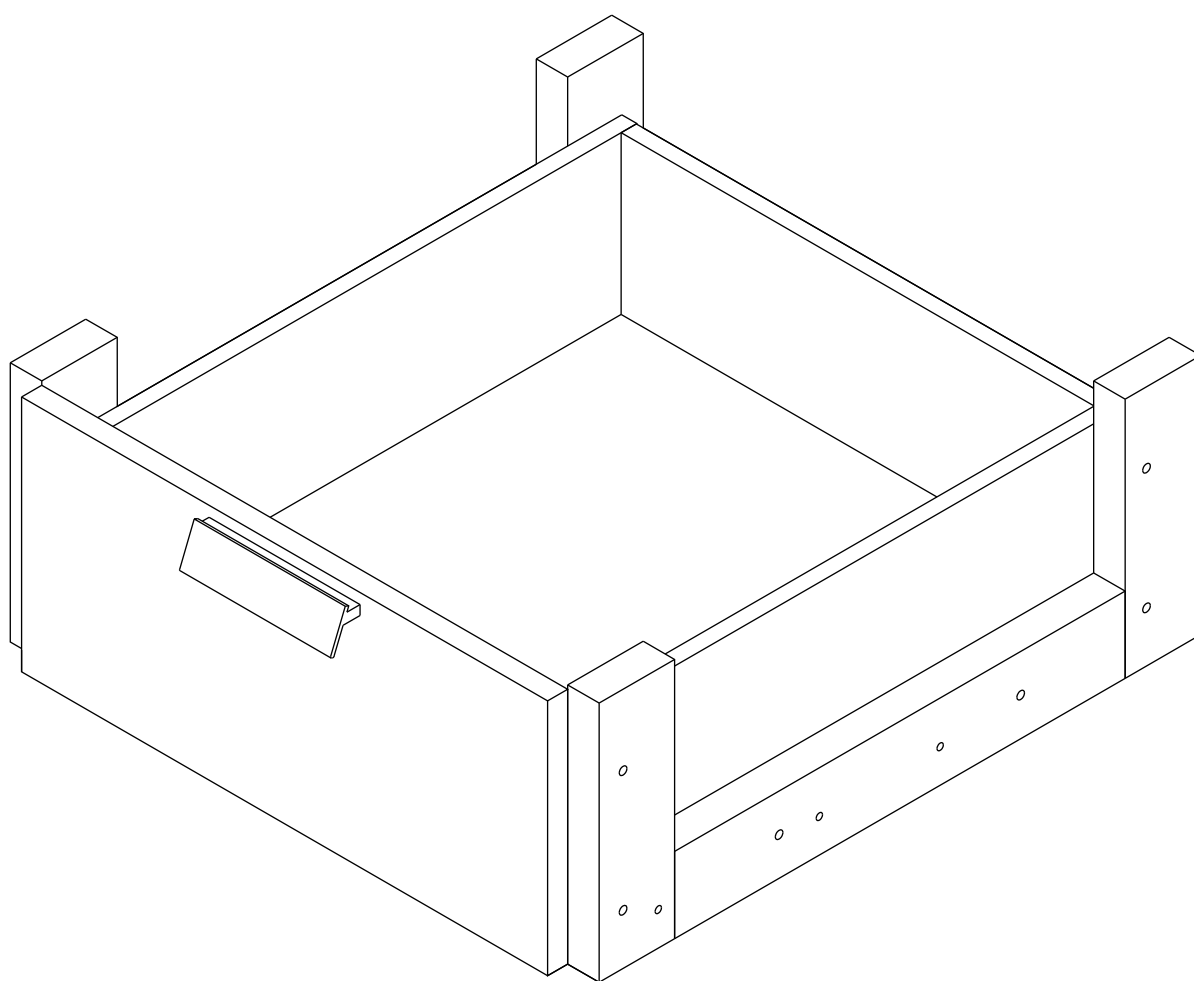


# ITAL-SMART

**Drawer M 50cm/57**



# HARDWARE

## -BODY SET



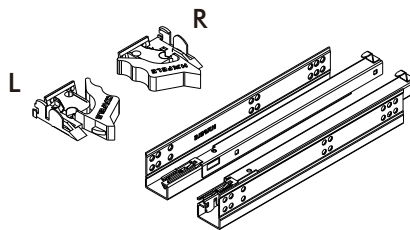
M5x10.5mm.

**X 6**



M4x40mm.

**X 20**

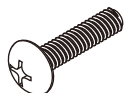


**X 1 Set**



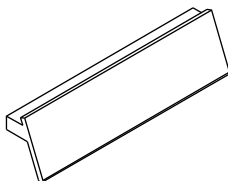
M6x23

**X 4**



M4x22mm.

**X 2**



**X 1**



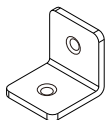
M3.5x20mm.

**X 4**



M4x16mm.

**X 8**



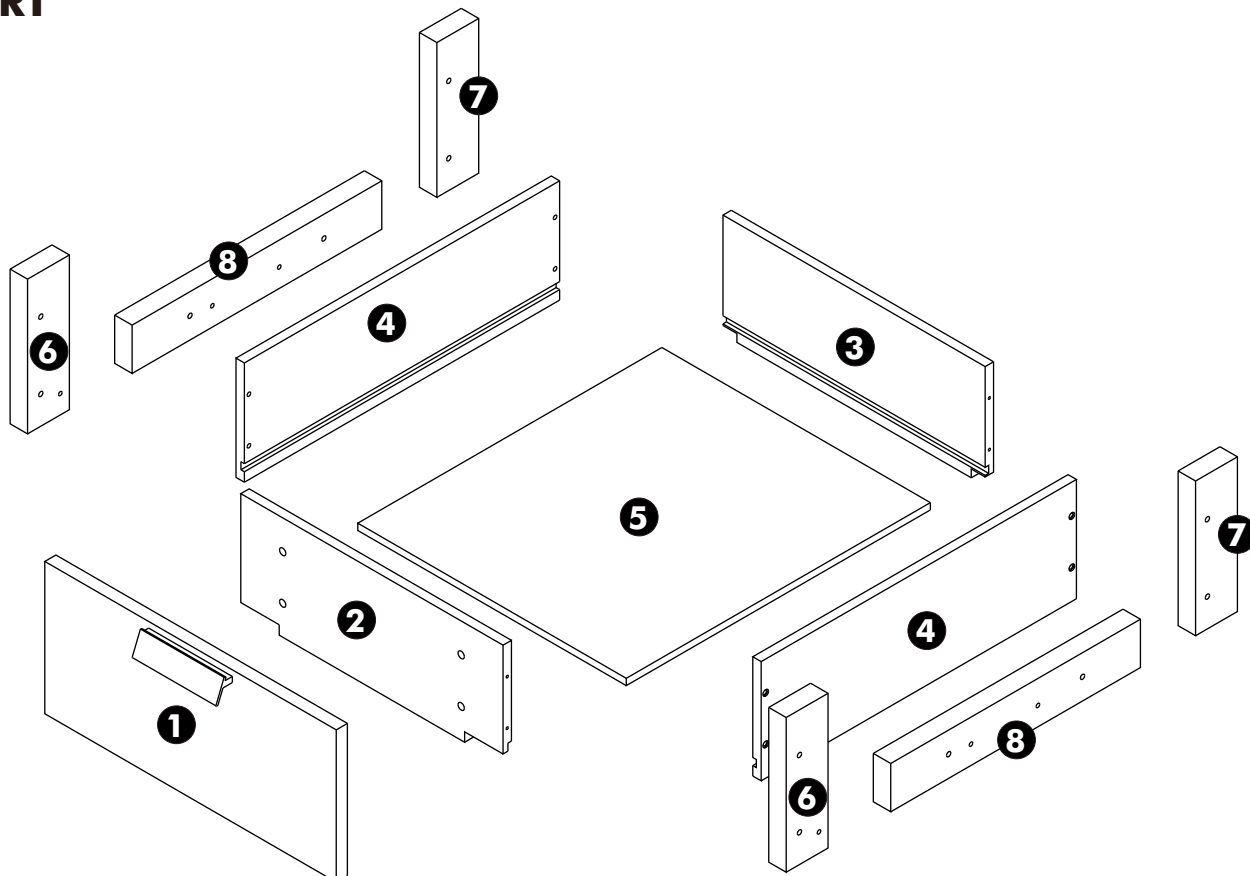
**X 4**



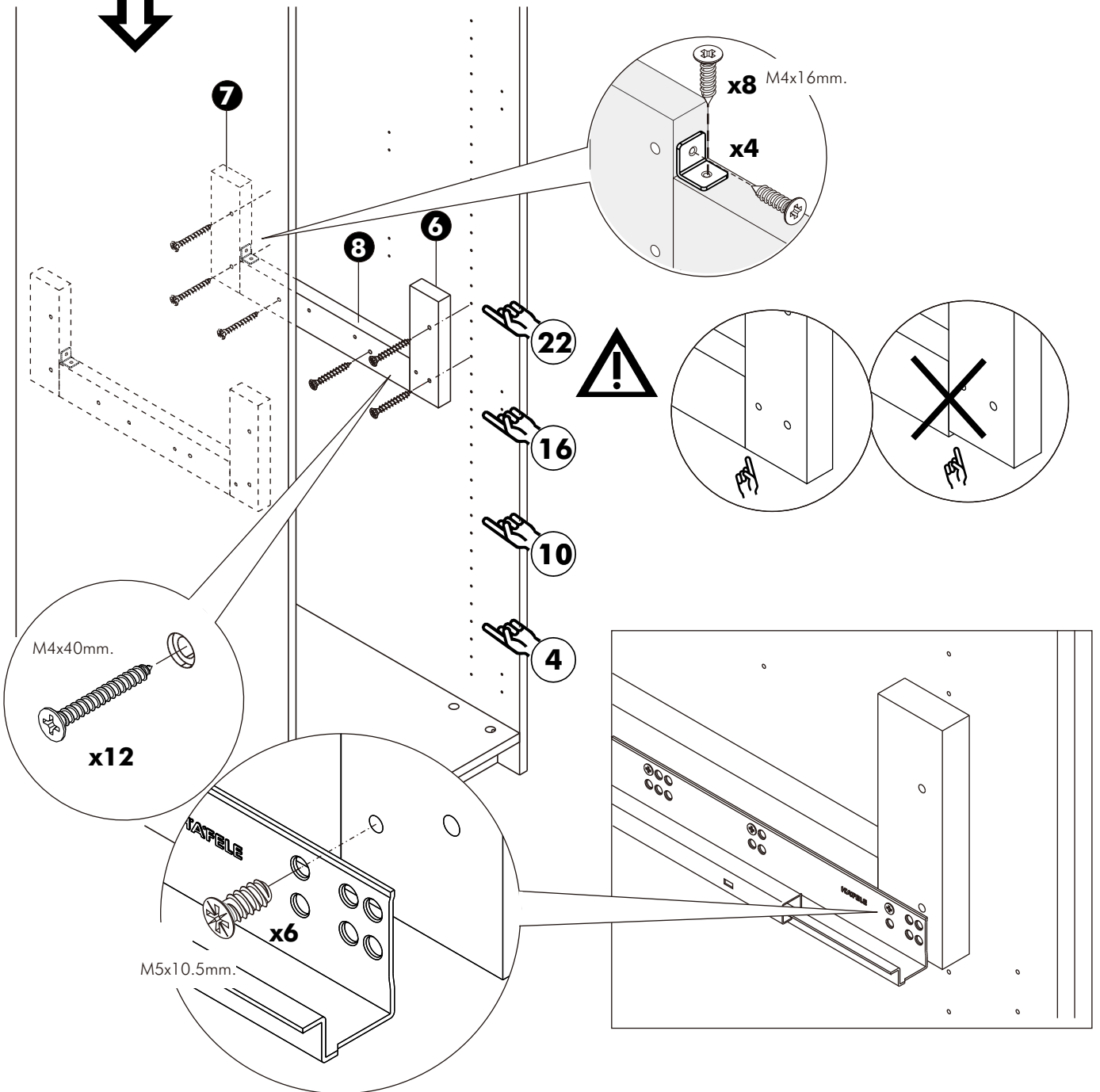
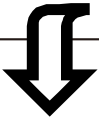
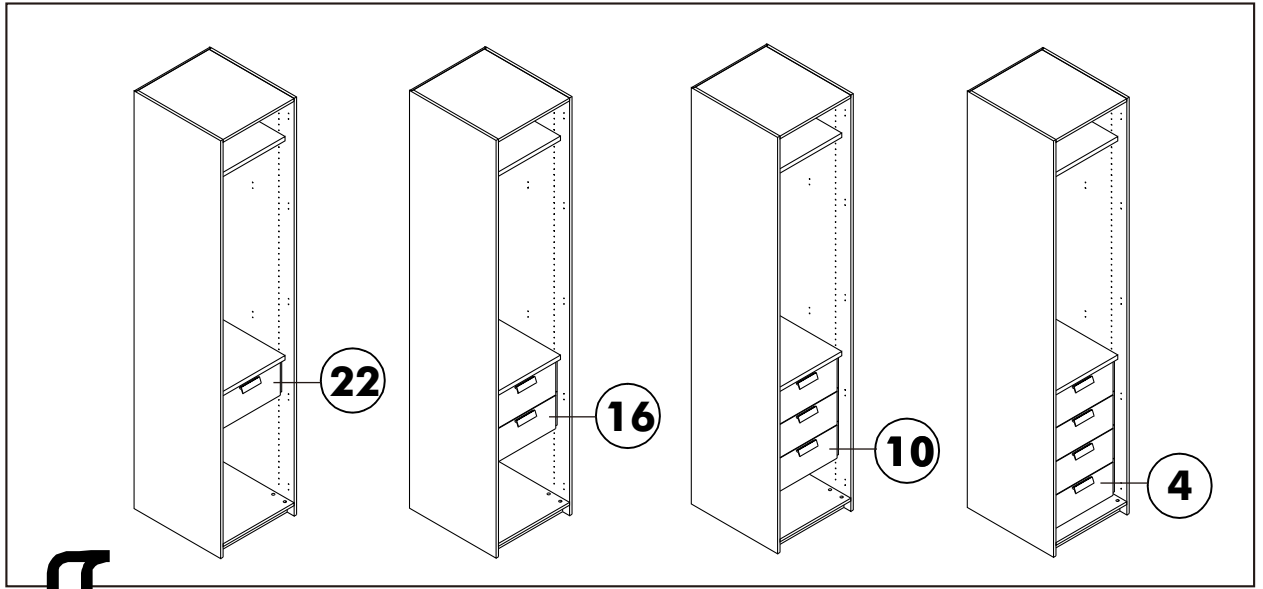
M3.5x13mm.

**X 2**

## PART



1.



2.

