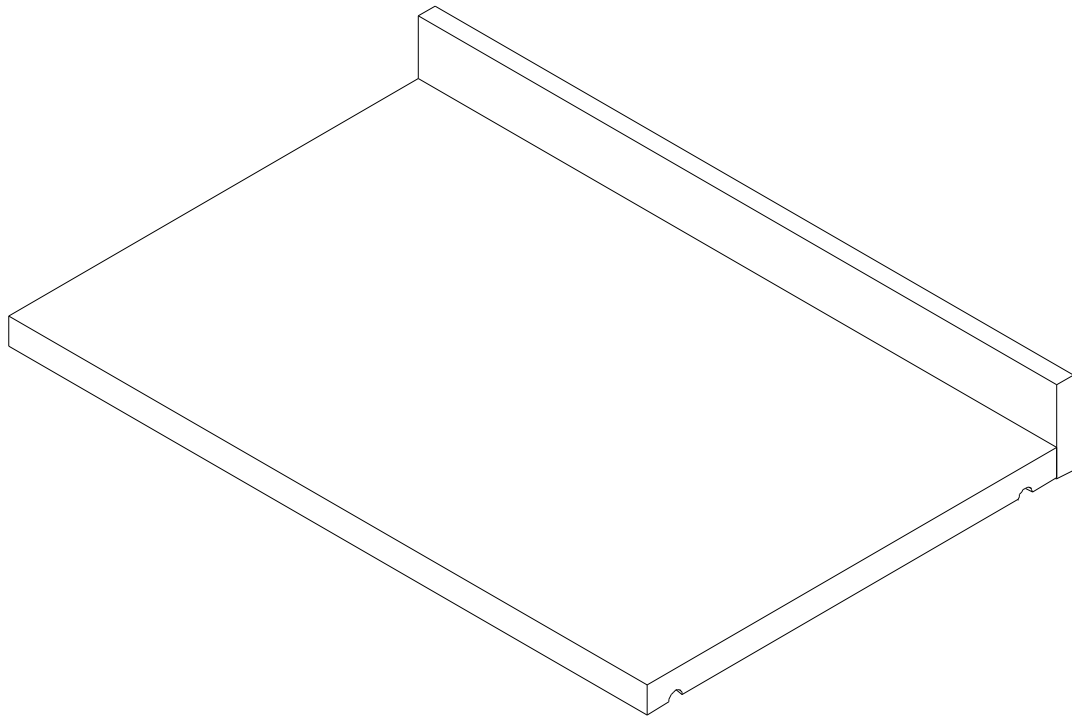


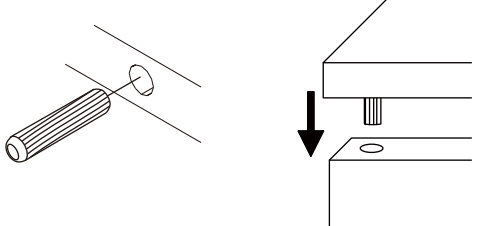
# ITAL-SMART

**Shoe shelf 50cm./39**

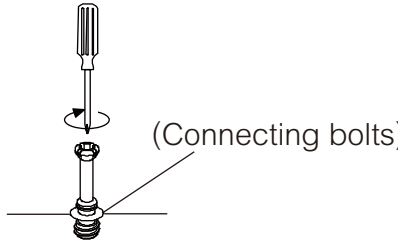


# CONNECT SYSTEM

**1**

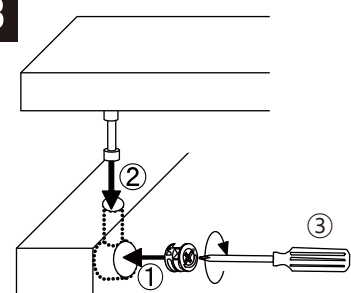


**2**

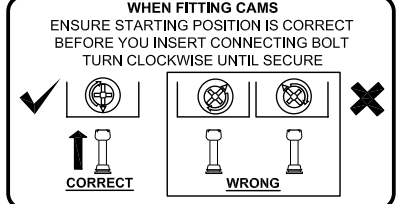


(Connecting bolts)

**3**



**WHEN FITTING CAMS**  
ENSURE STARTING POSITION IS CORRECT  
BEFORE YOU INSERT CONNECTING BOLT  
TURN CLOCKWISE UNTIL SECURE

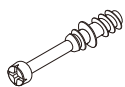


✓ CORRECT

✗ WRONG

# HARDWARE

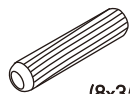
-BODY SET



**X 2**

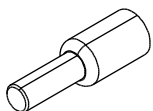


**X 2**



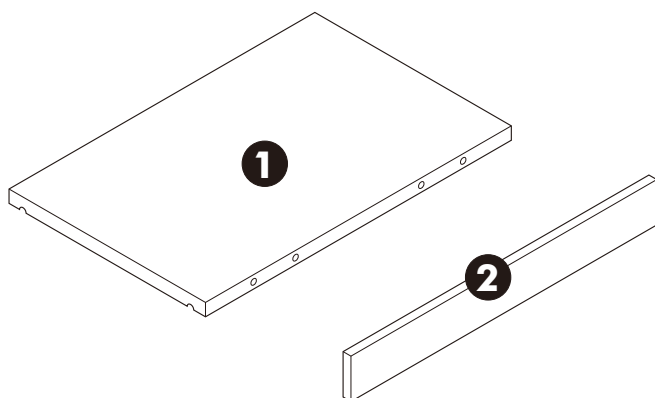
(8x35)

**X 2**

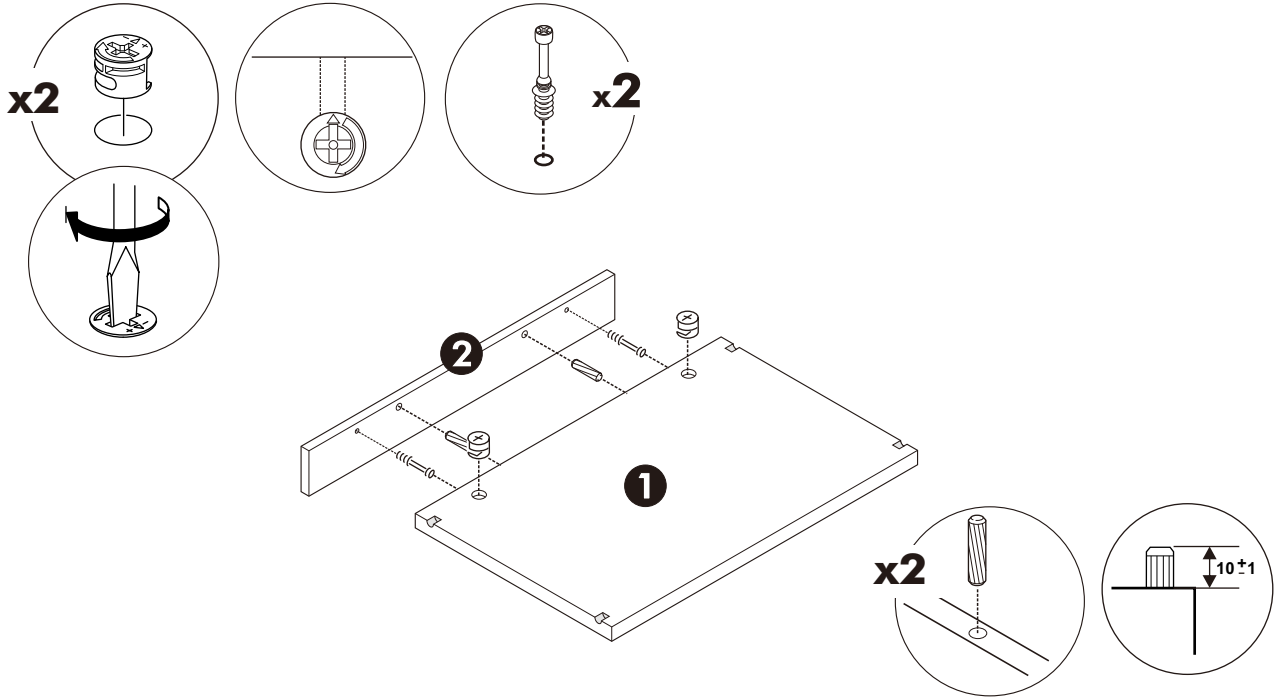


**X 4**

# PART



1.



2.

