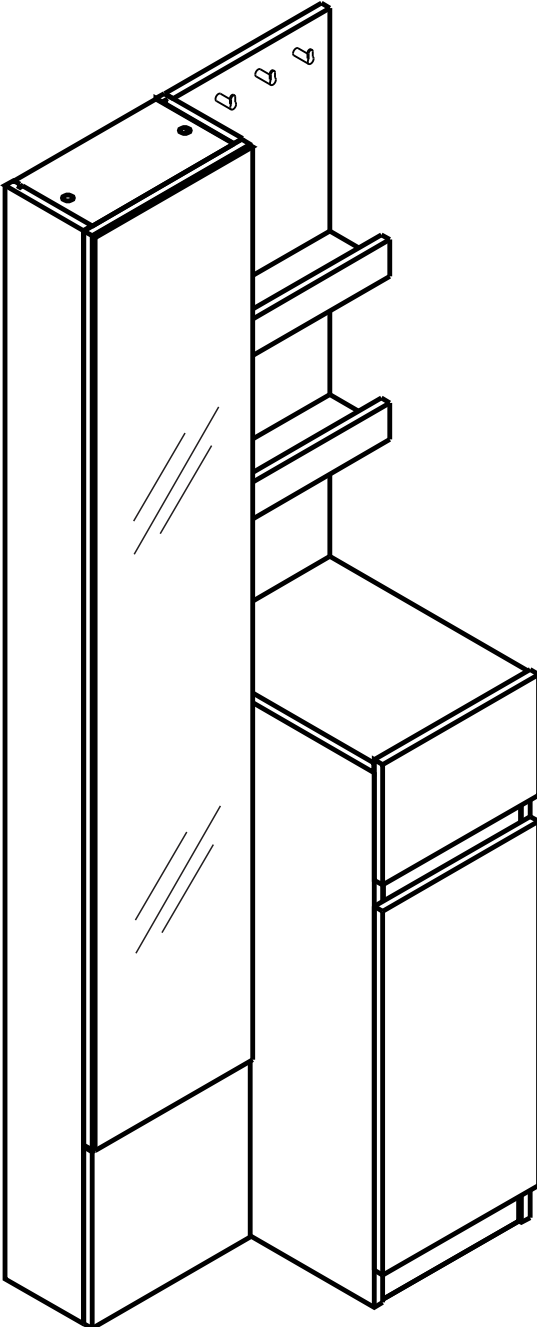


MODENO

Dressing Stand



CONNECT SYSTEM

1

3

2

(Connecting bolts)

WHEN FITTING CAMS
 ENSURE STARTING POSITION IS CORRECT
 BEFORE YOU INSERT CONNECTING BOLT
 TURN CLOCKWISE UNTIL SECURE

✓				✗
	↑ CORRECT	WRONG		

M4x16mm.

i

40mm.

☹️

✗

EQ

😊

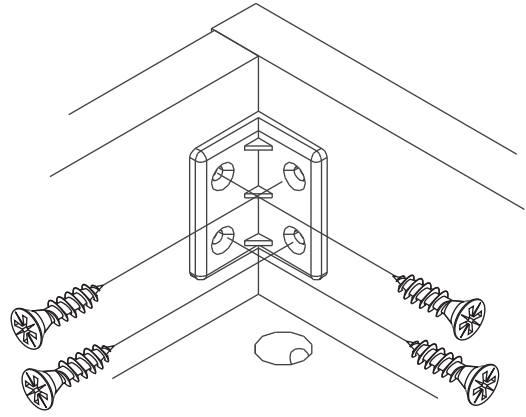
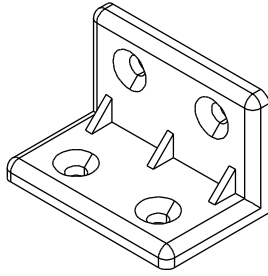
✓

M4x16mm.

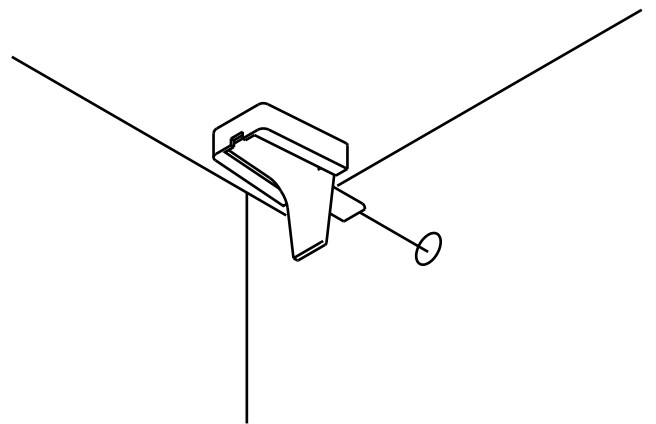
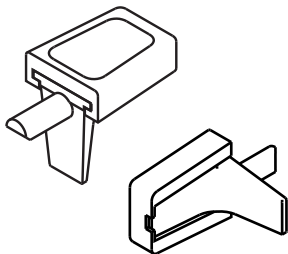
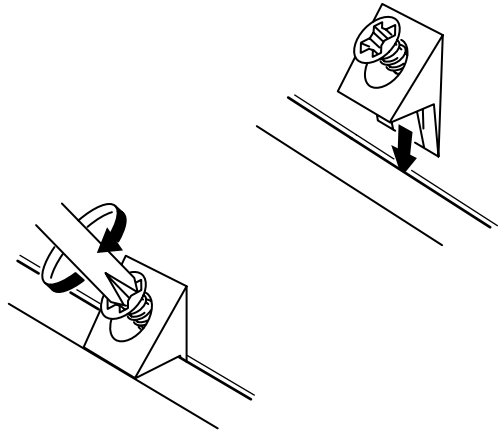
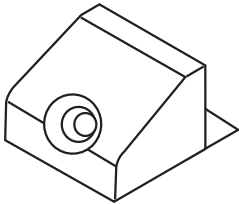
DOOR PANEL

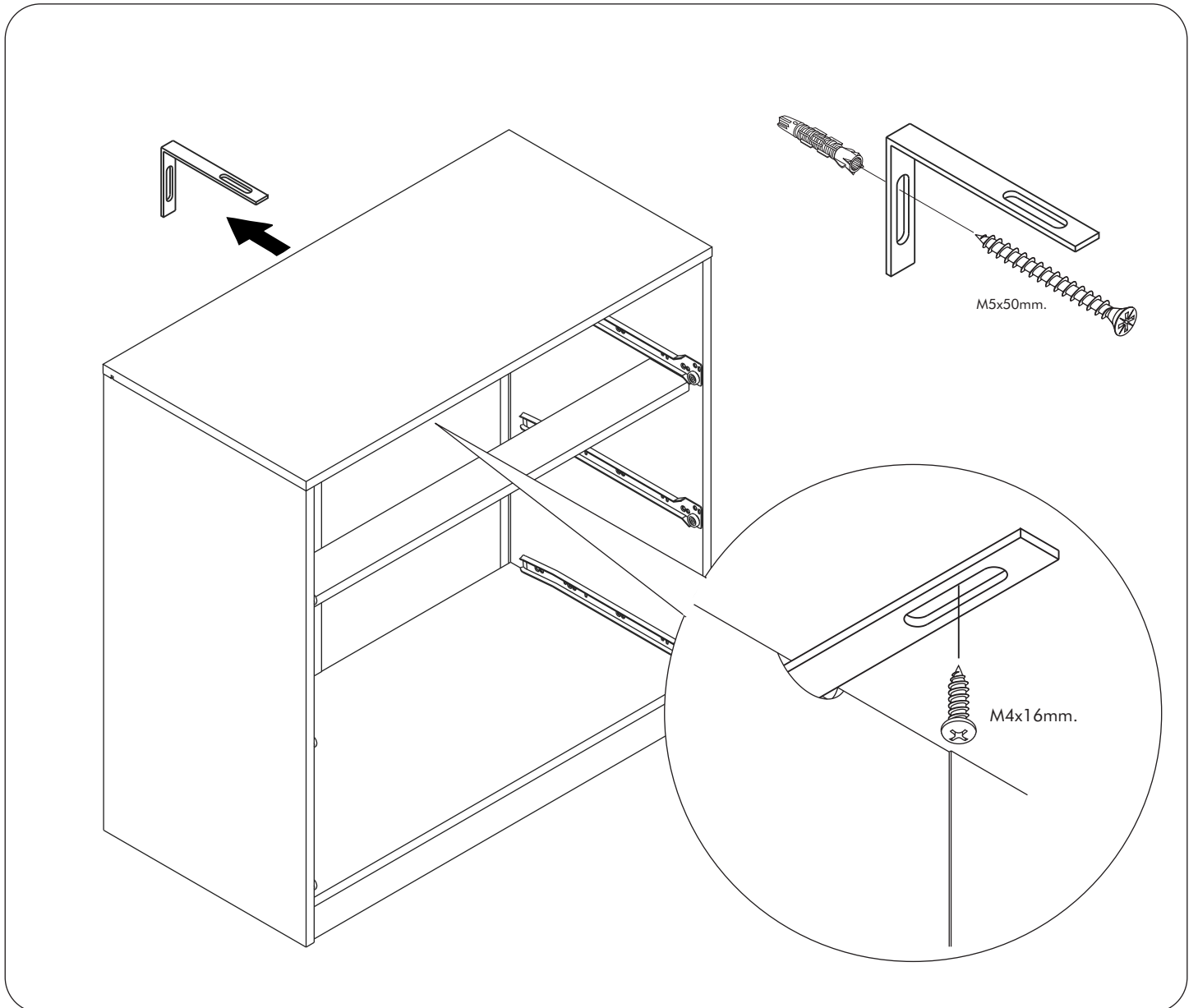
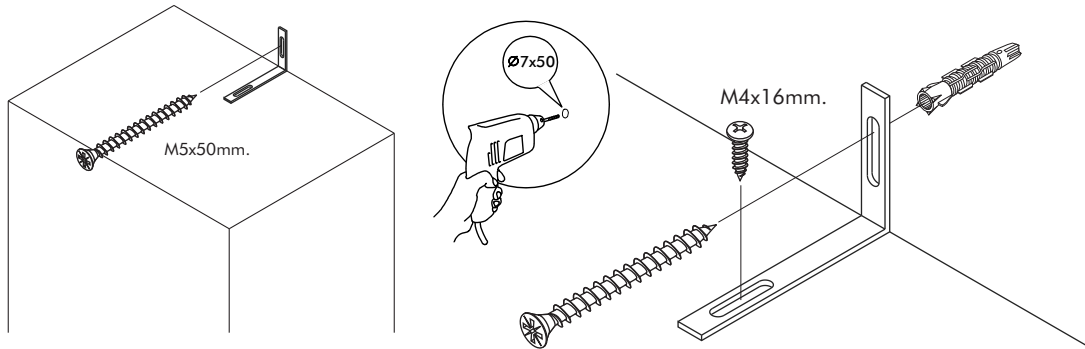
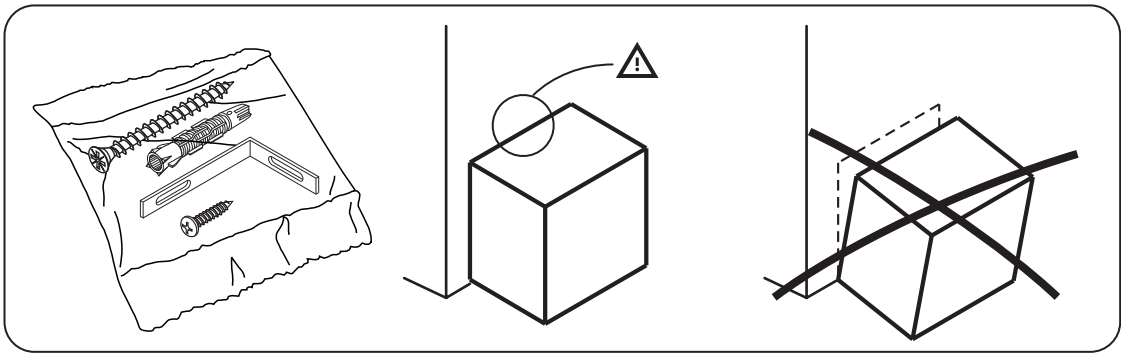


M4x16mm.



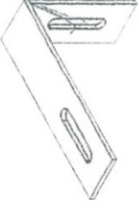
M3.5x20mm.



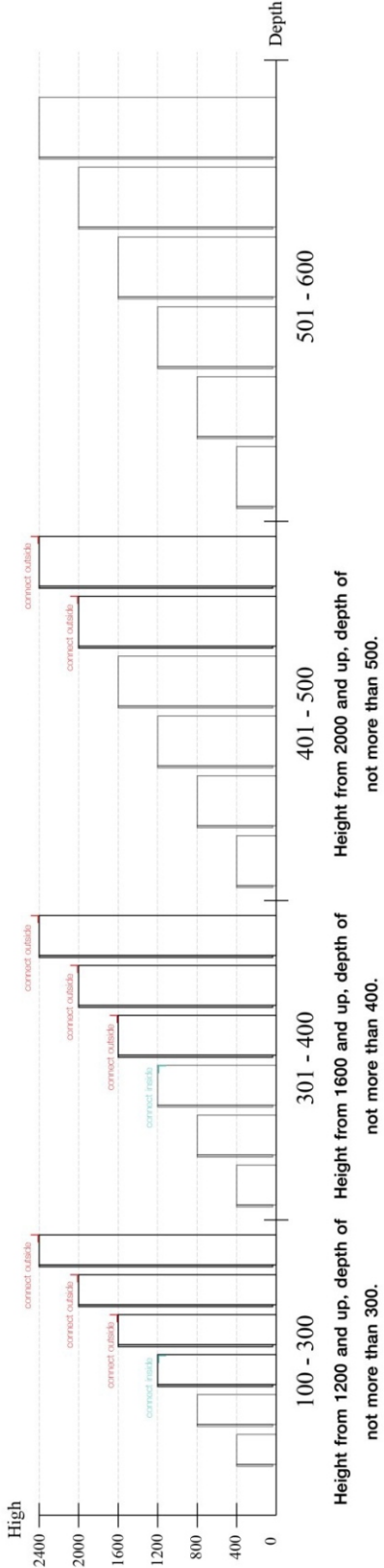


The Standard for identifying which mounted safety fall protection fitting to use **Note : That children's products must be installed with all anti-falling fittings.**

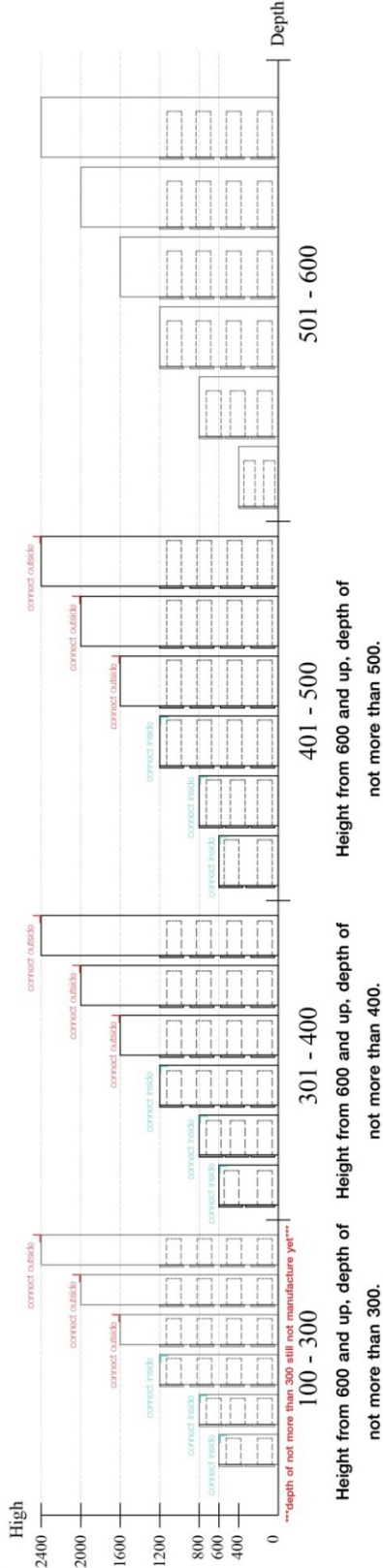
Mounted fall protection fittings



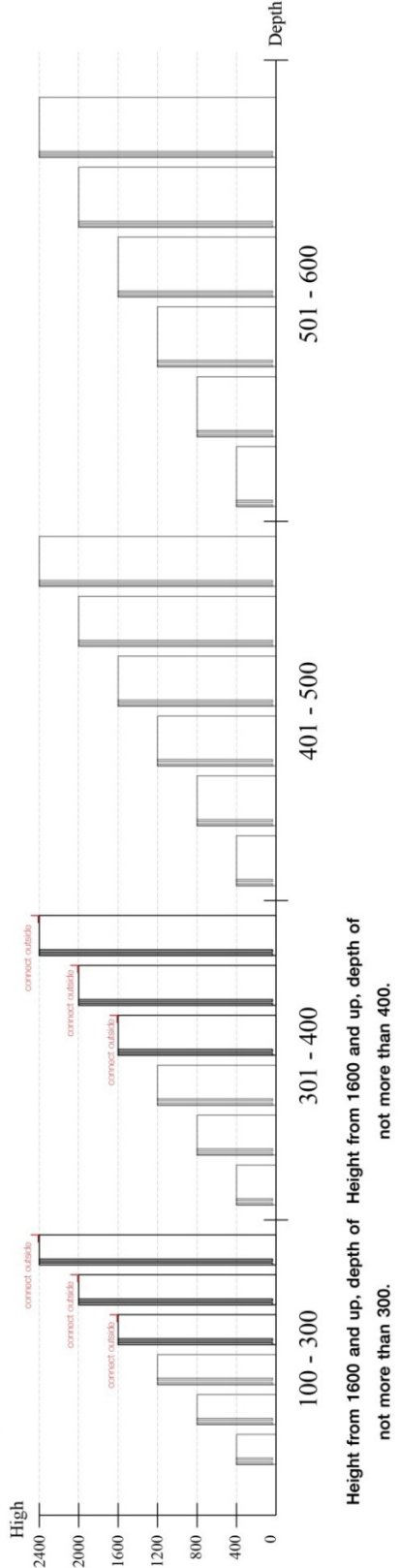
Category : Cabinet with open doors



Category : Chest of drawers



Category : Sliding door cabinet / Open cabinet

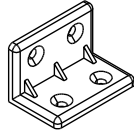


HARDWARE

-BODY SET



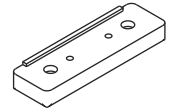
x 32



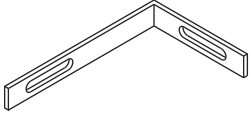
x 10



x 9



x 12



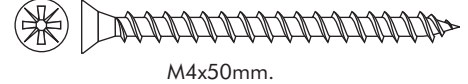
x 1



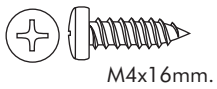
x 9



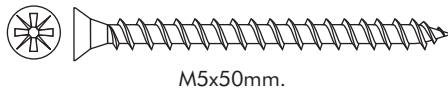
x 76



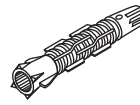
x 7



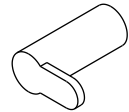
x 4



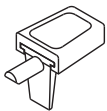
x 1



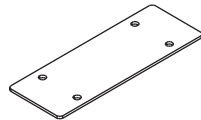
x 1



x 3



x 16



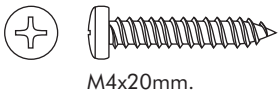
x 3



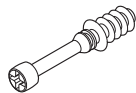
x 6



x 14



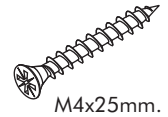
x 6



x 18

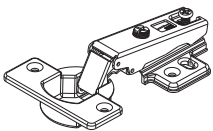


x 18

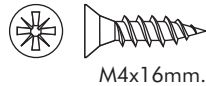


x 3

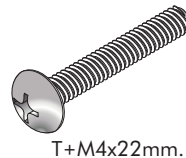
-DOOR SET



x 6



x 36



x 3

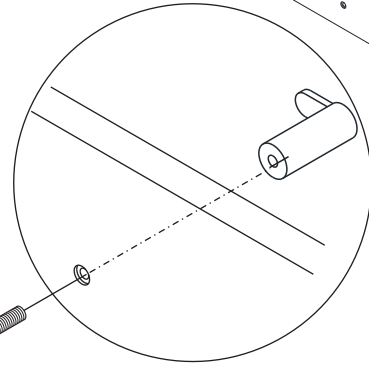
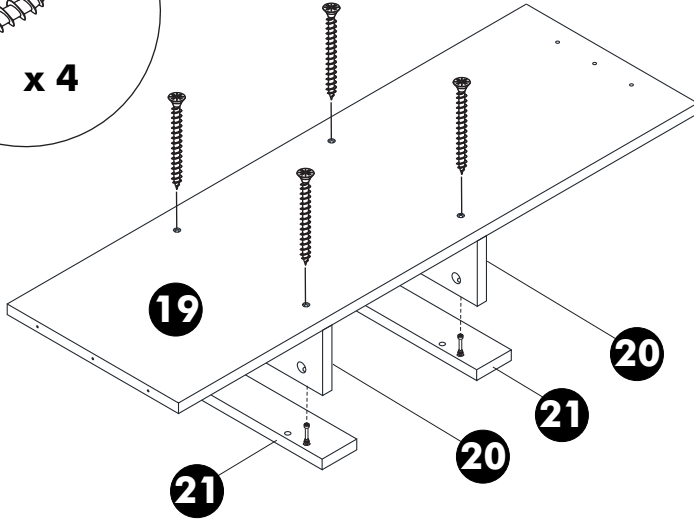
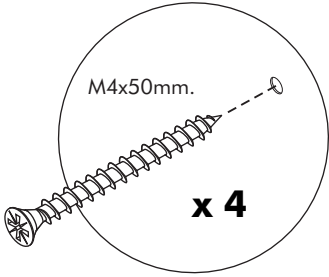
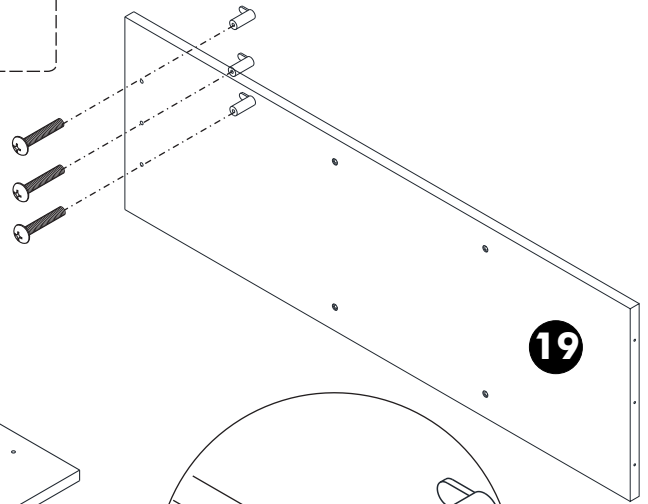
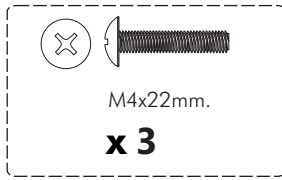
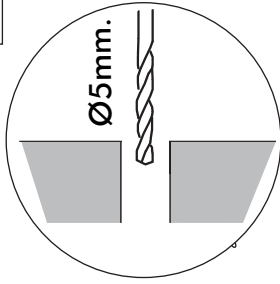


x 4

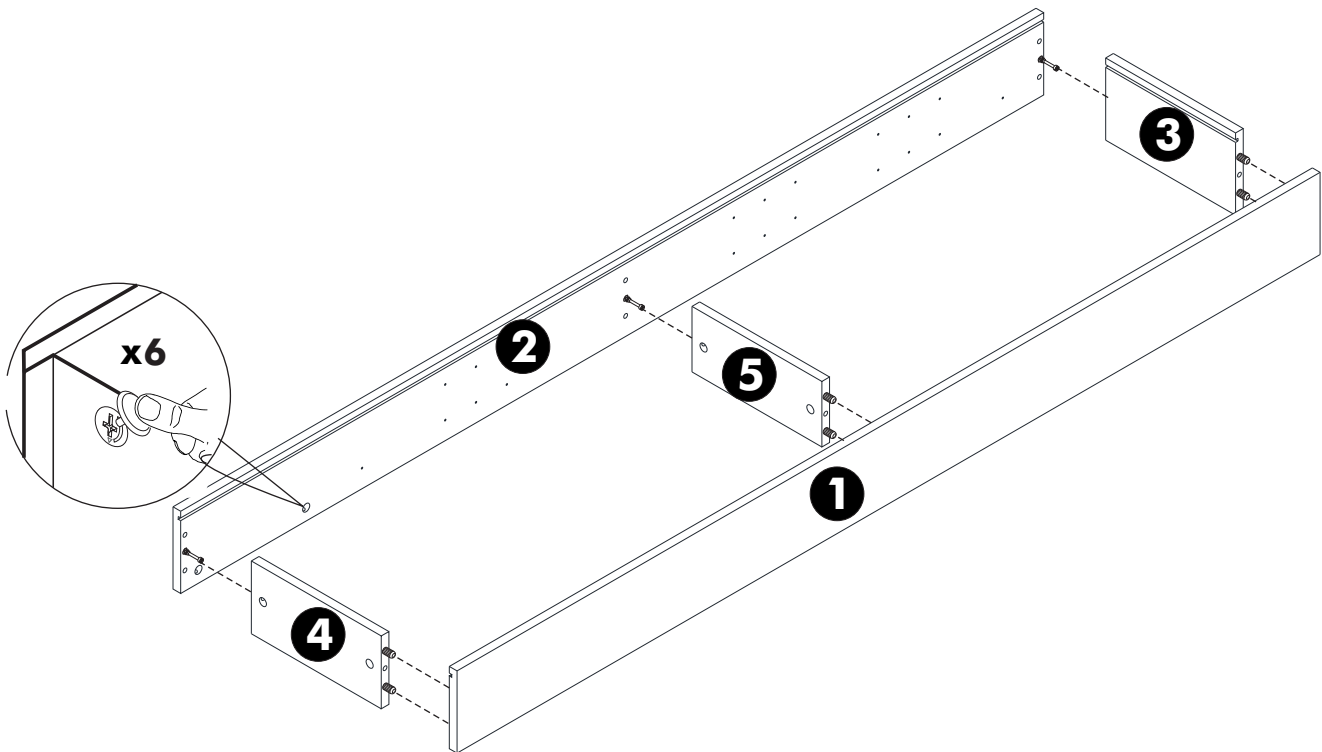
ASSEMBLY

-BODY SET

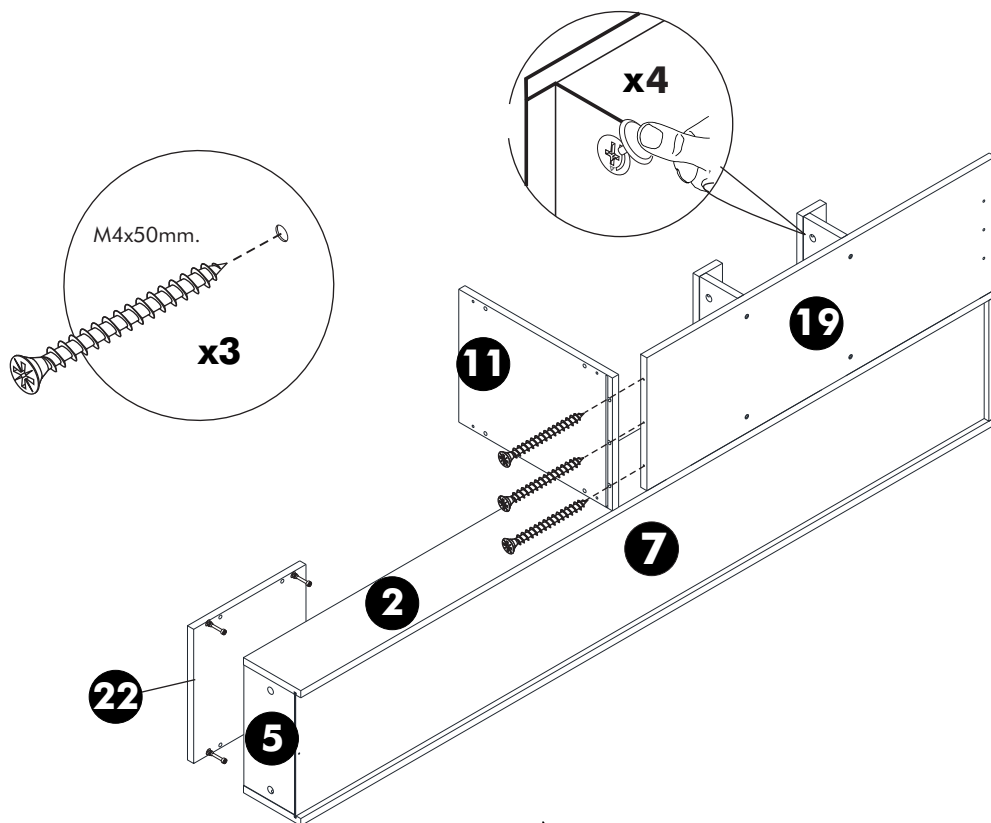
1.



2.



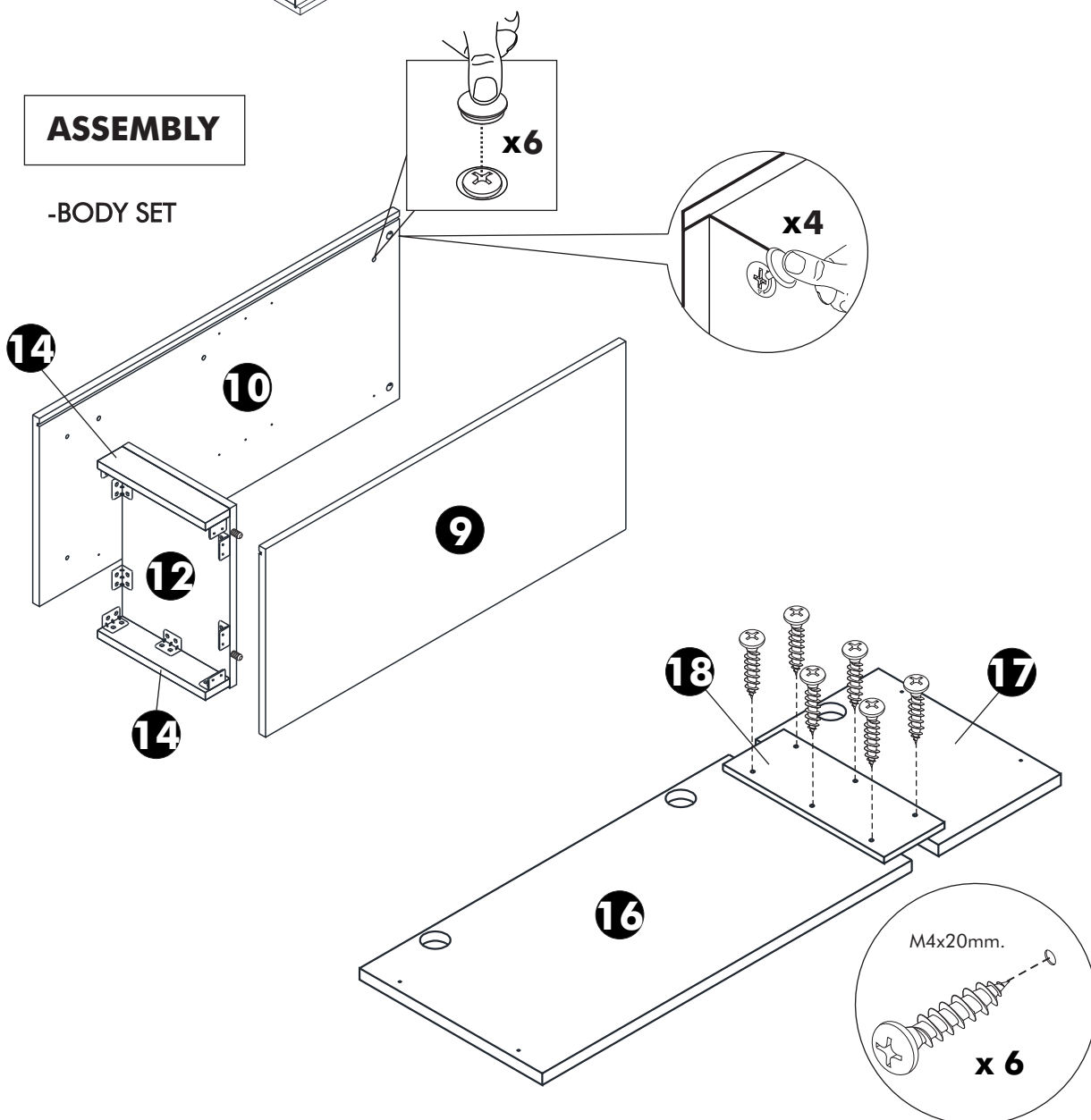
3.



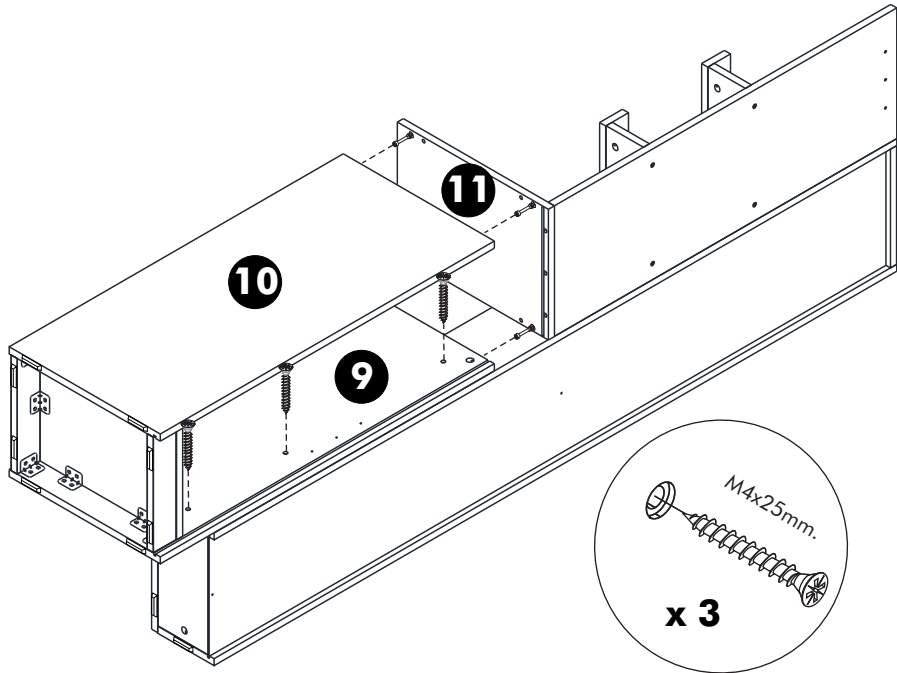
4.

ASSEMBLY

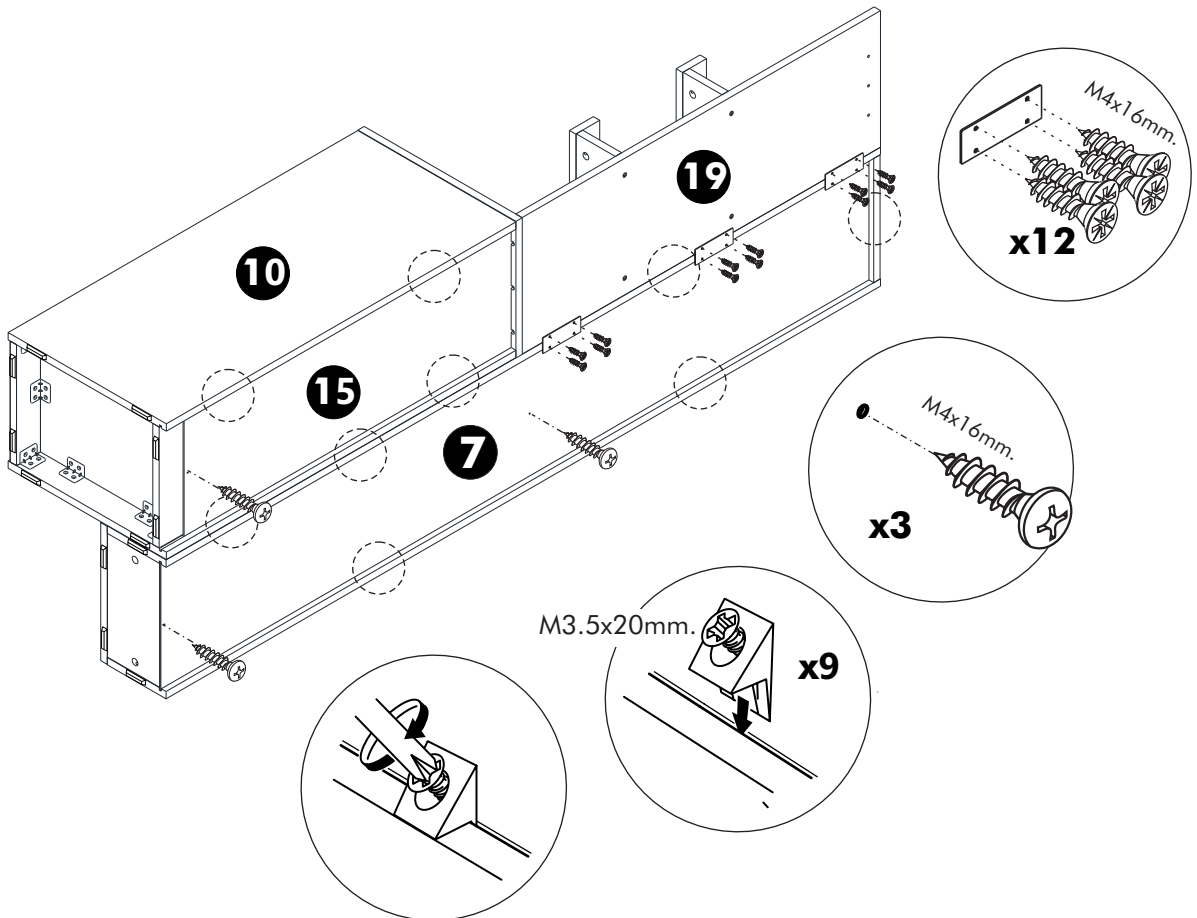
-BODY SET



5.



6.



7.

