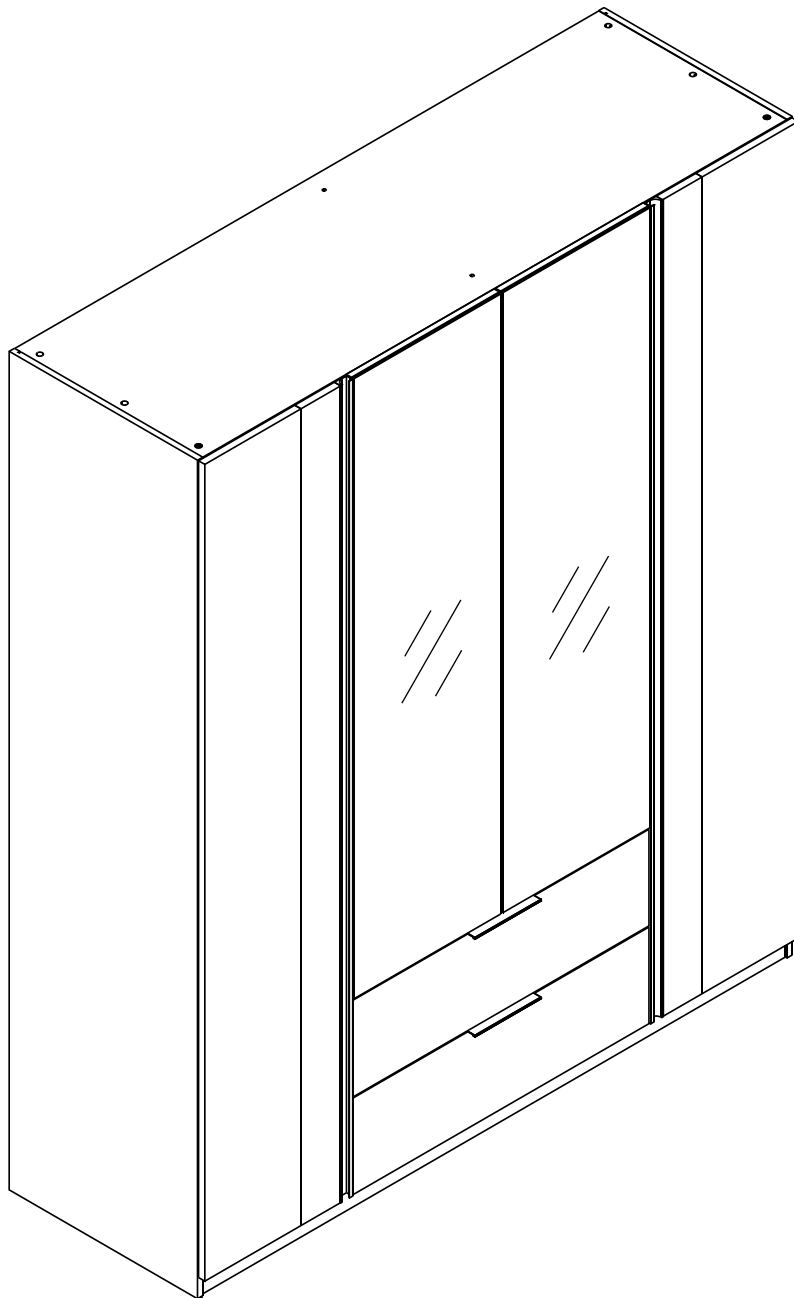
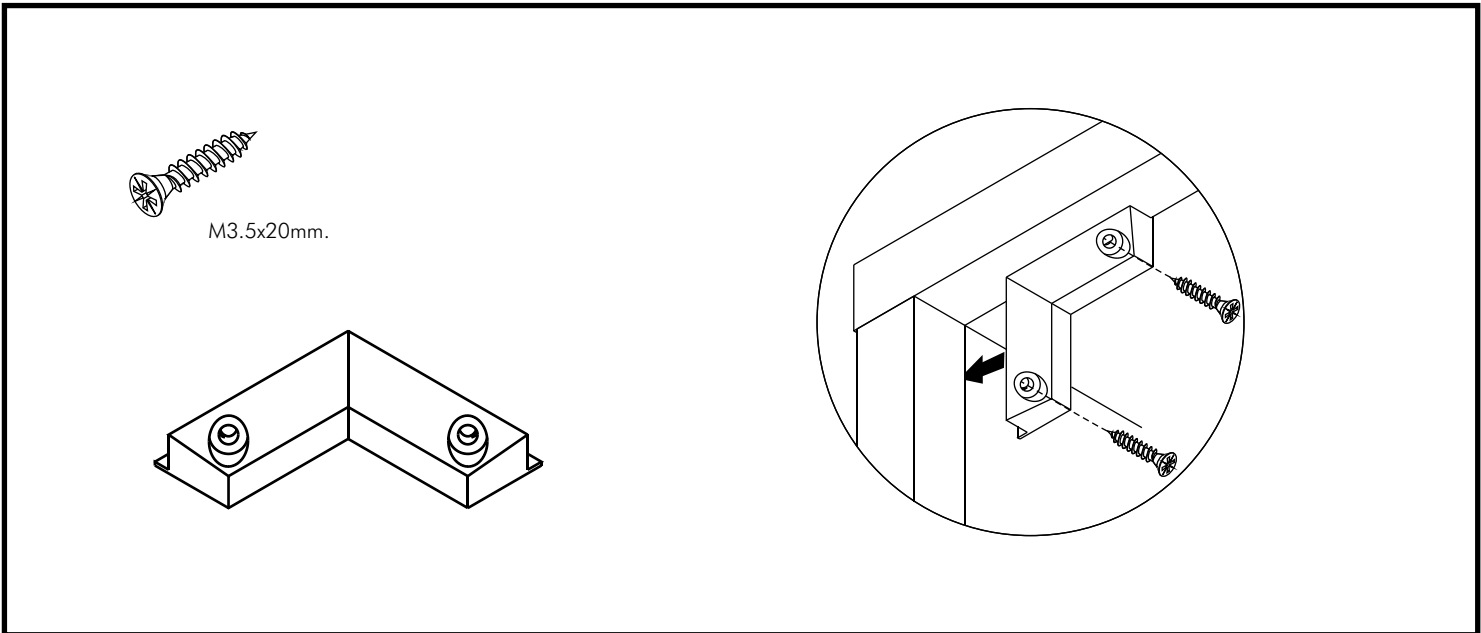
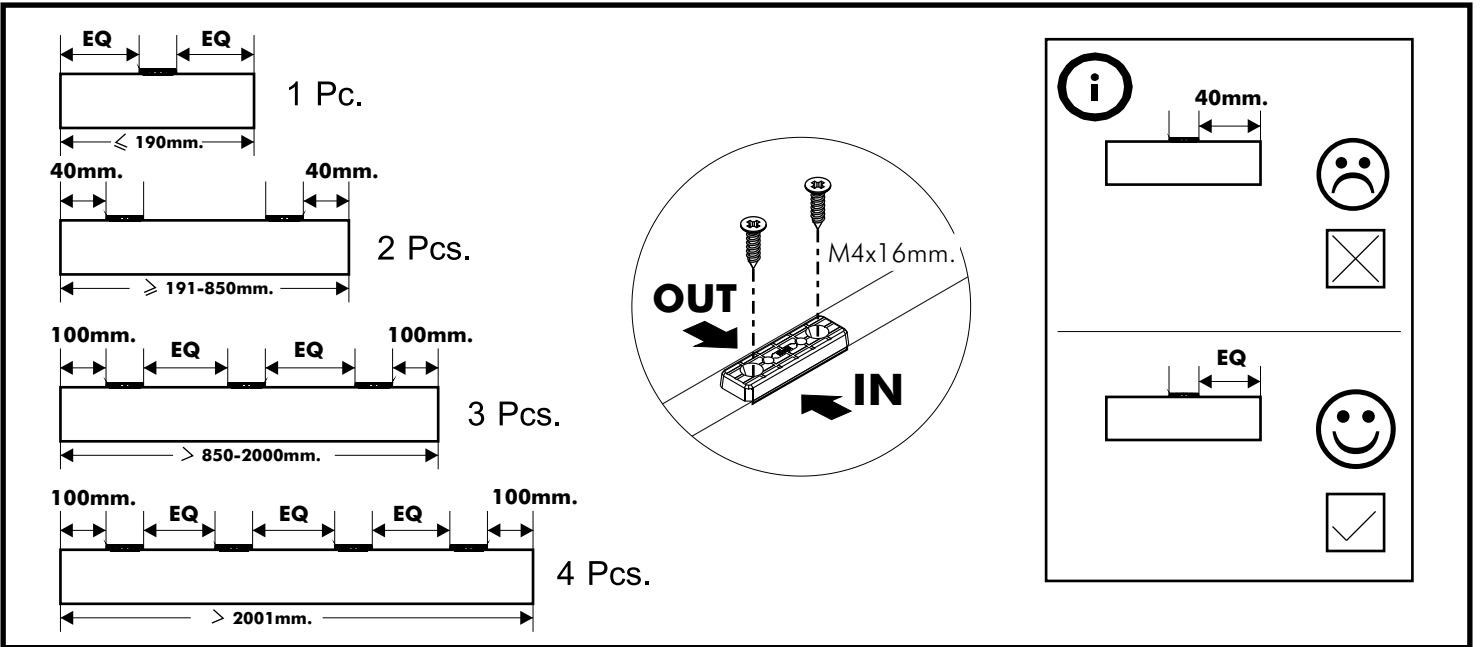
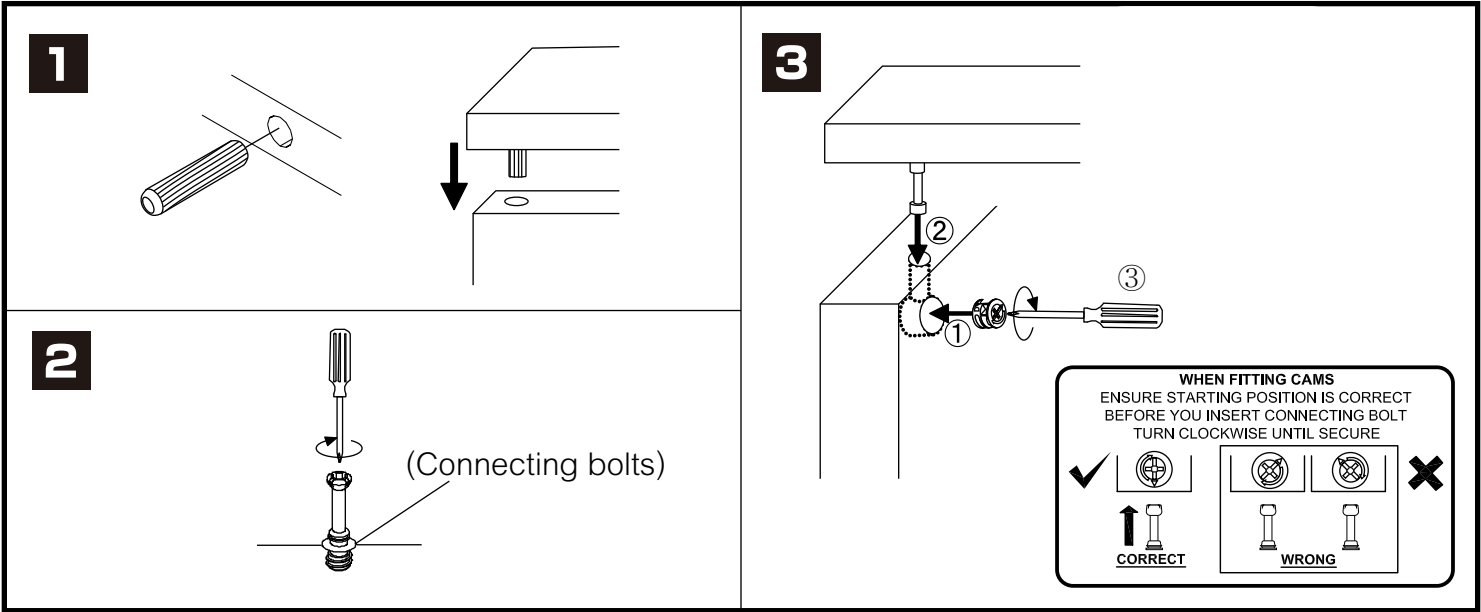


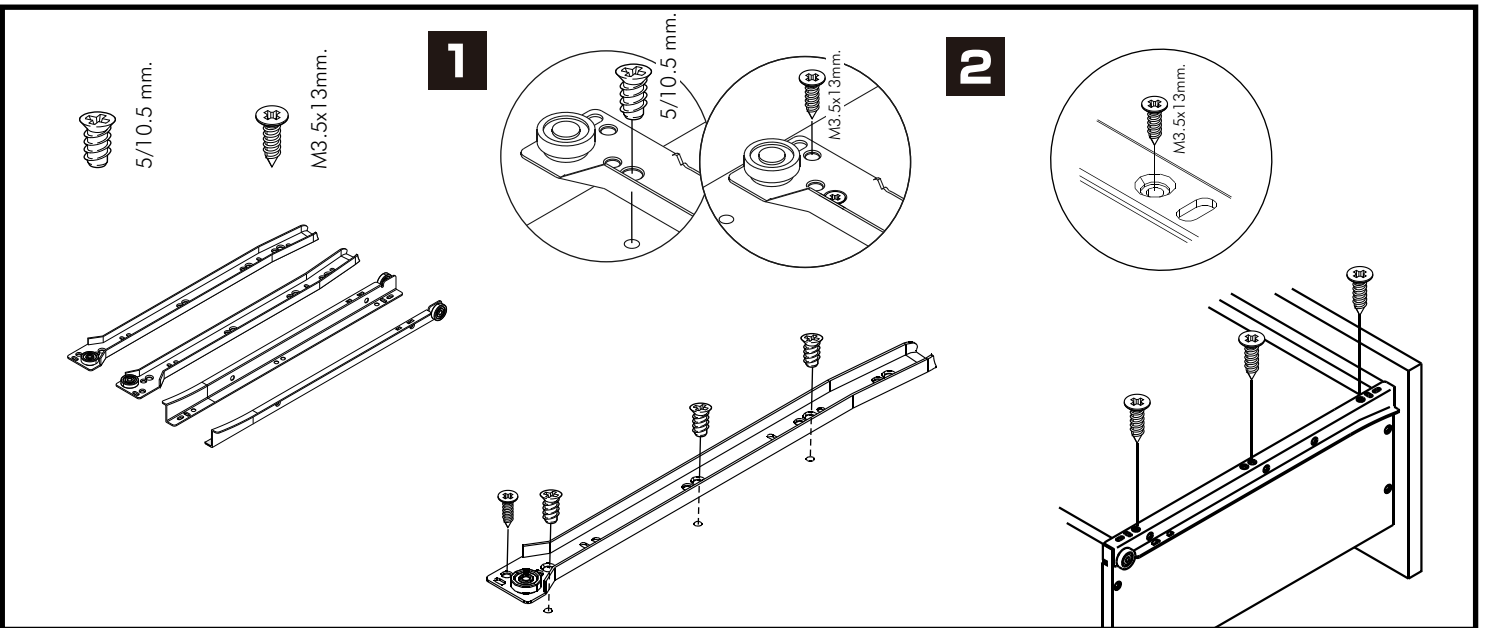
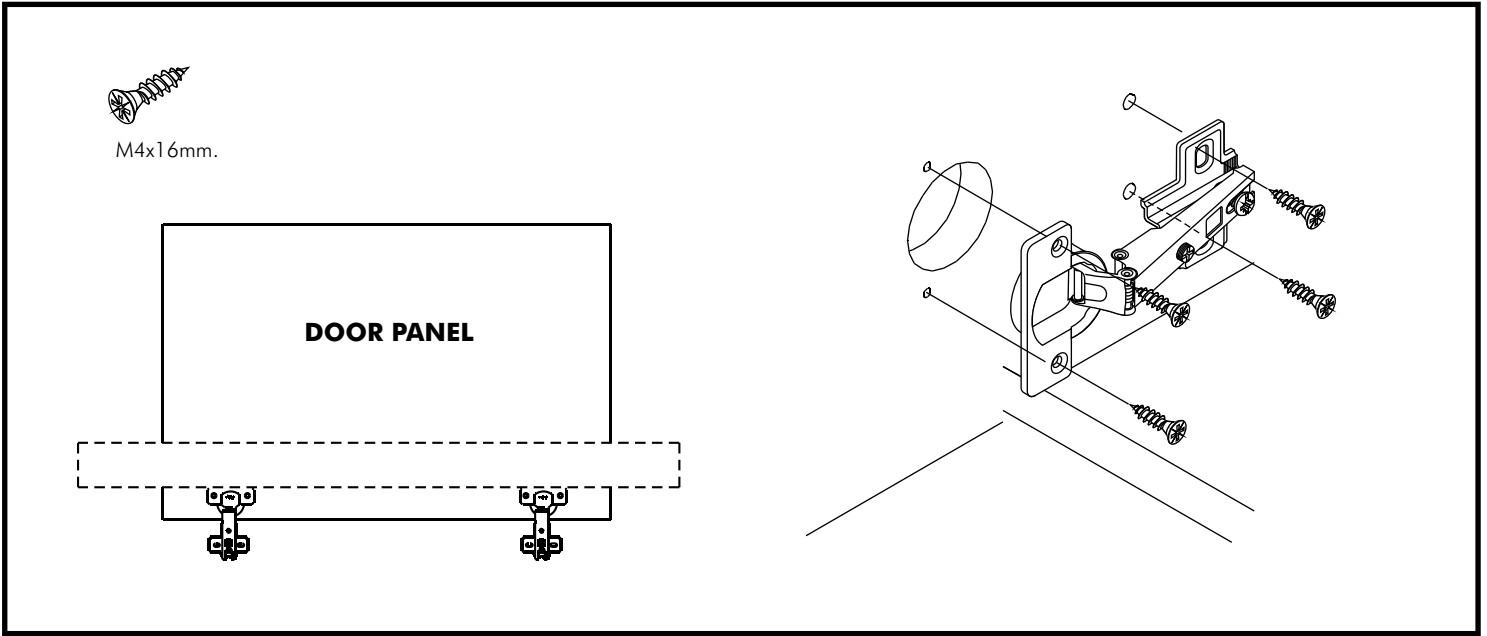
ARTISAN/D

4 Door wardrobe 180cm.

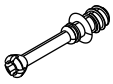


CONNECT SYSTEM





HARDWARE

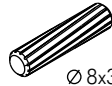


x 28



16mm.

x 28



Ø 8x35

x 60



x 12



x 16



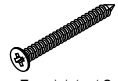
F+ M4x16

x 58



#F+B M5x12/8

x 32



F+ M4x40

x 26



P+ M4x35

x 5



#M3.5x20(F)

x 4



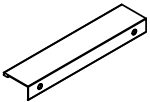
P+ M3.5x16

x 40



F+ M3x13

x 4

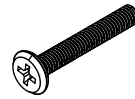


x 2



TFL4 M6x23

x 12



TF+M6x40

x 8



F+M3.5x25

x 24



x 8



F+ M3.5x13

x 24



x 8



x 4



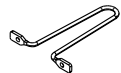
x 1



x 4



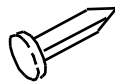
x 4



x 1



x 5



x 5



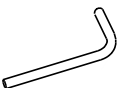
F+ 5x1/2"

x 4

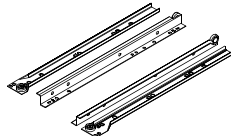


P+ 5x3/4

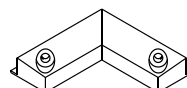
x 3



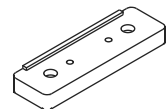
x 1



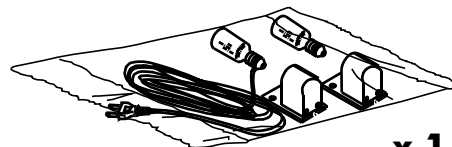
x 2



x 2

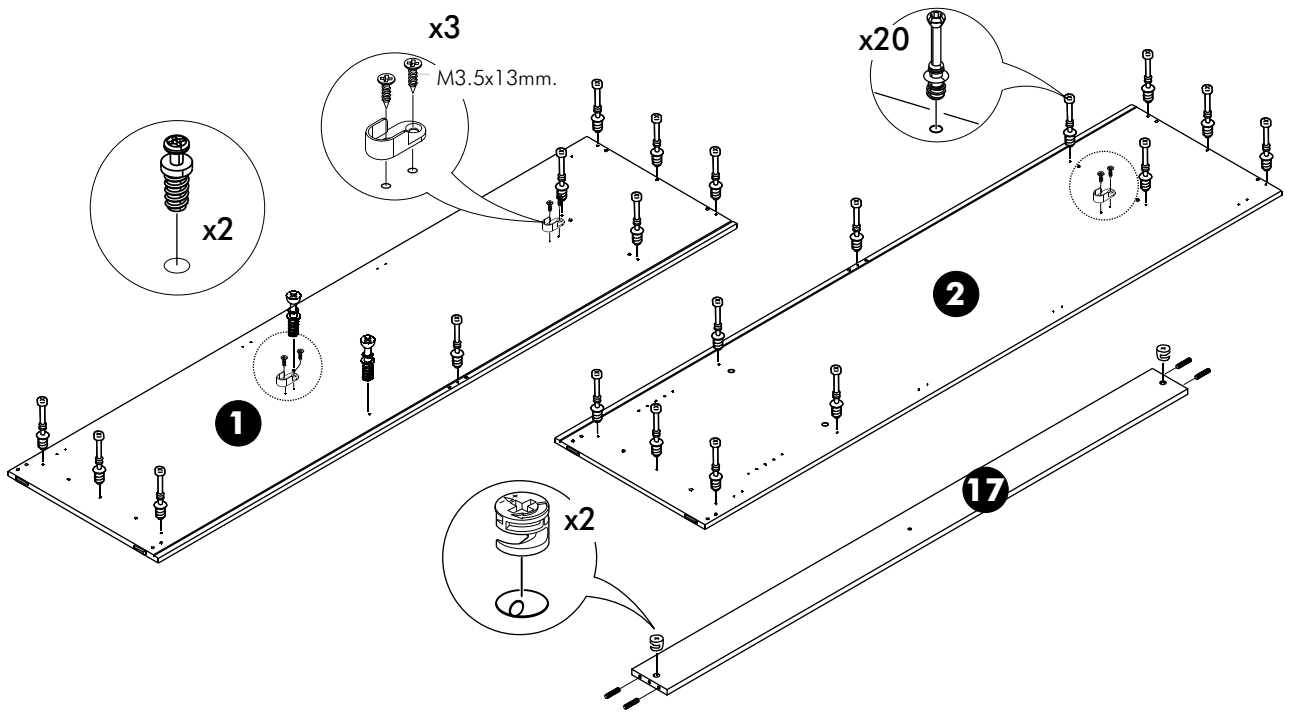


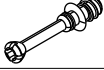



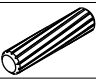
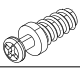
x 12

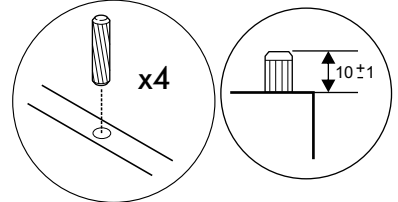


x 1

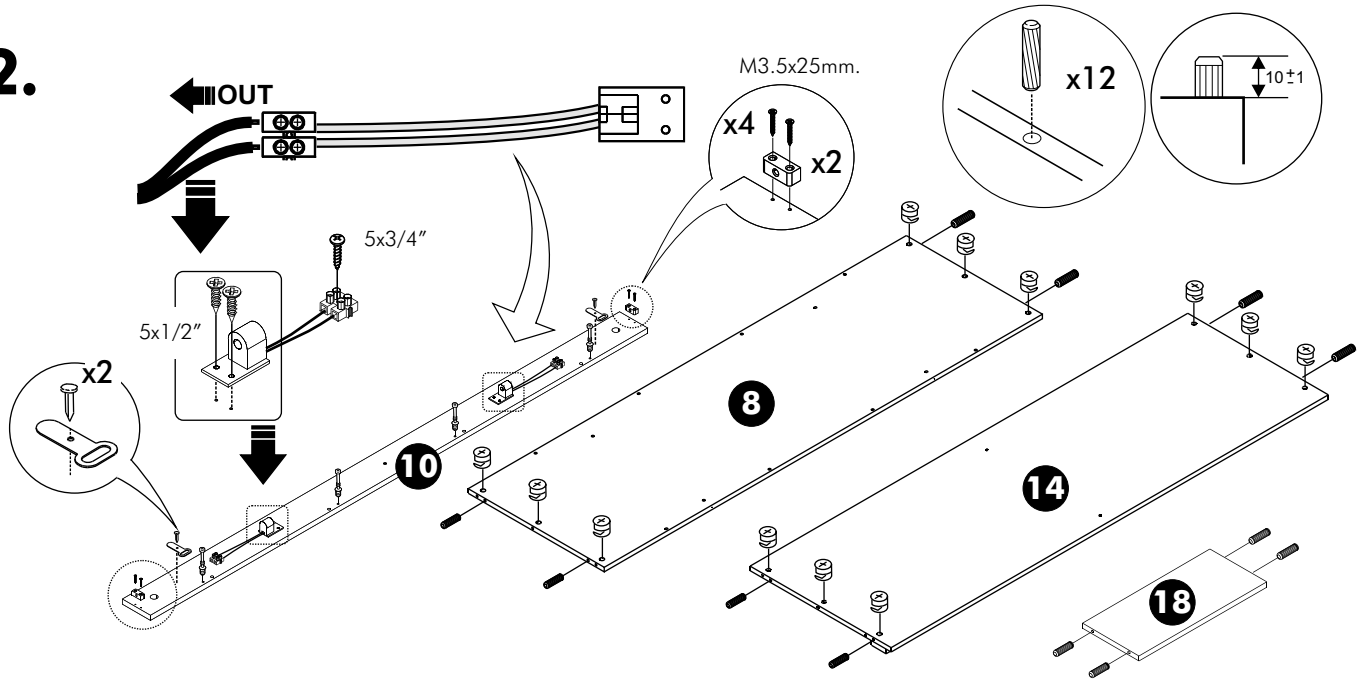
1.





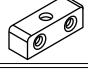
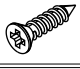
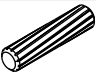

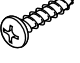


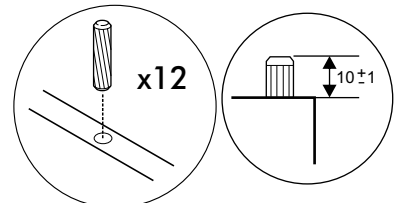
	x20	M3.5x13mm.		x6
	x2			x3
	x4			x2



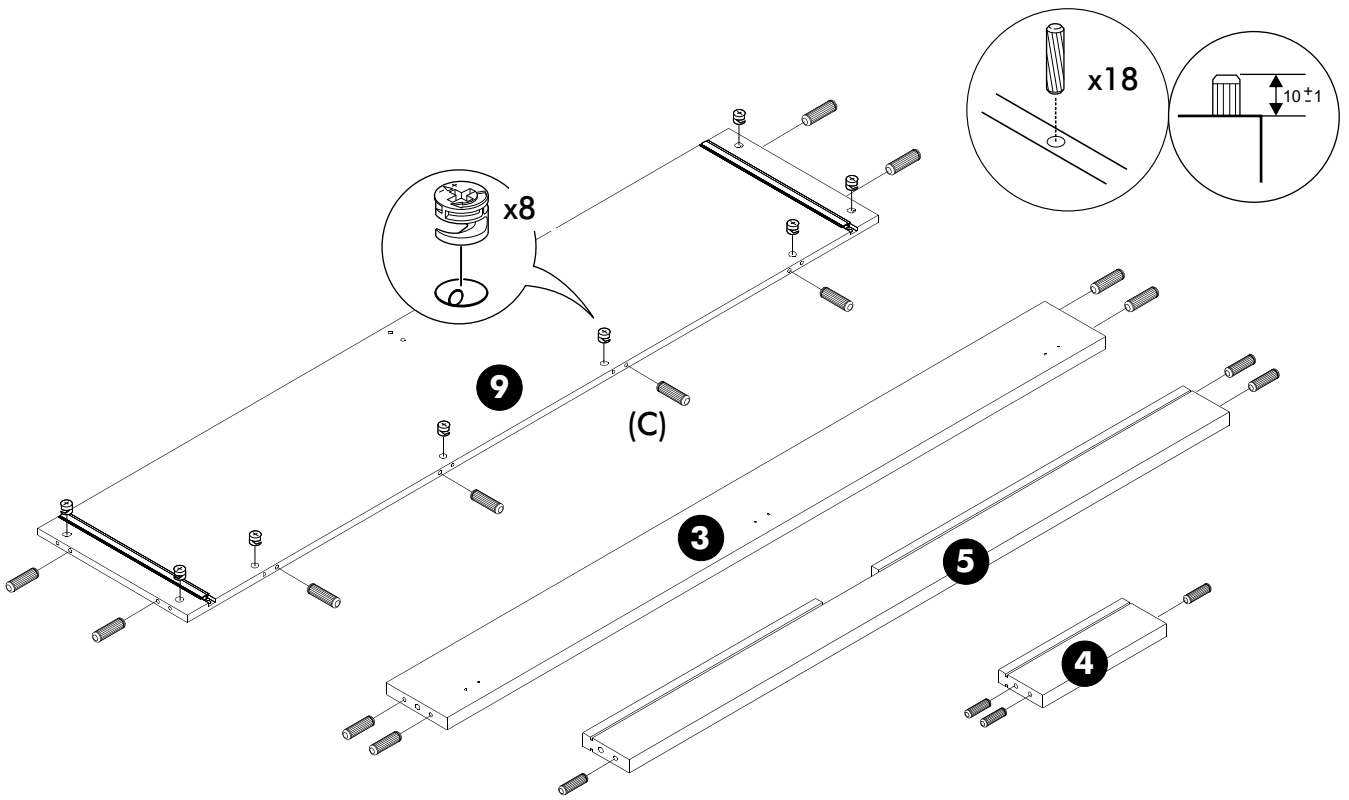
2.





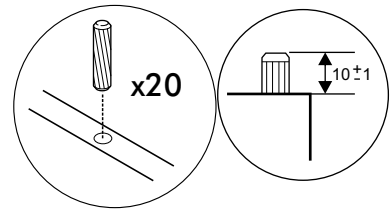
	x4	M3.5x25mm.		x4		x2	
	x12			x2	5x1/2"		x4
	x12			x2	5x3/4"		x2



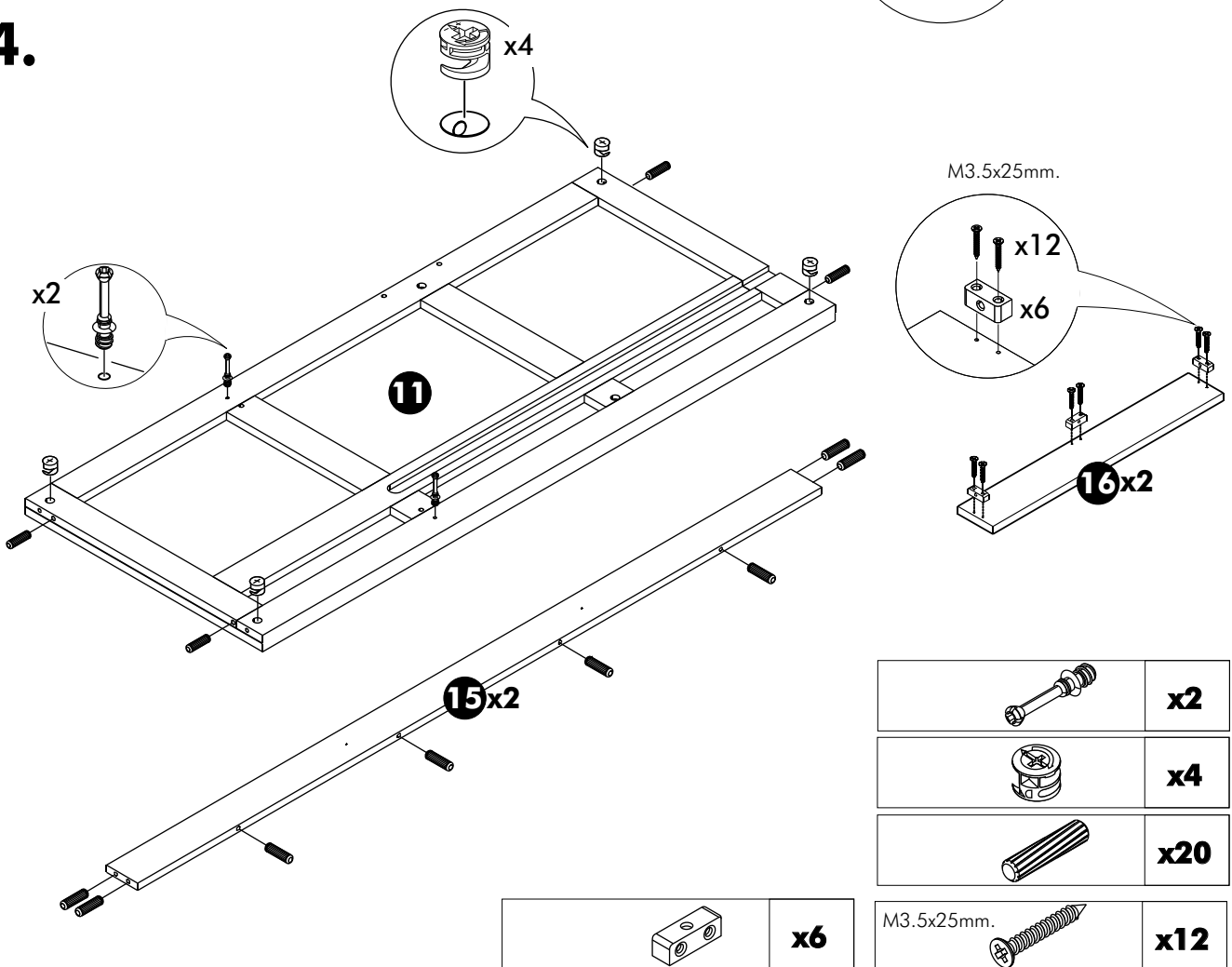
3.




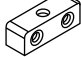



	x8
	x18

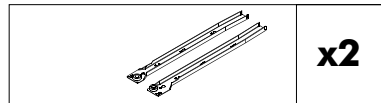
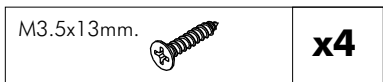
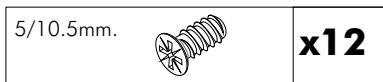
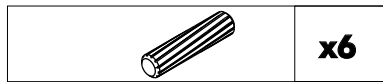
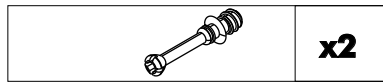
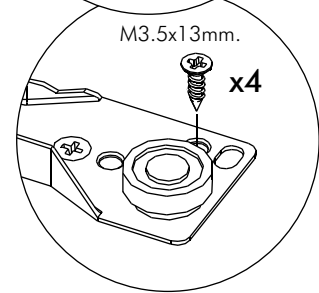
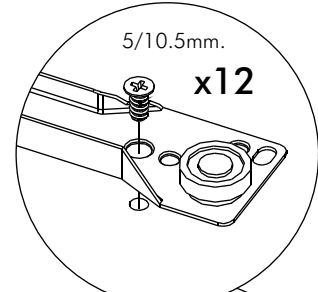
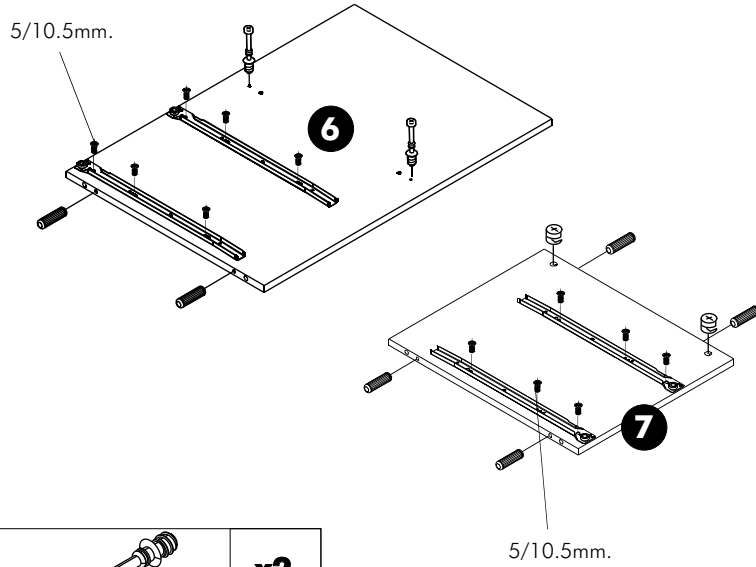
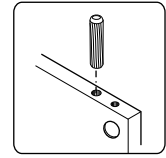
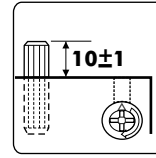
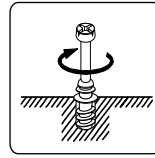


4.



	x2
	x4
	x20
	x6
	x12

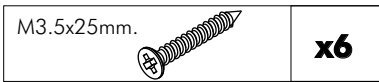
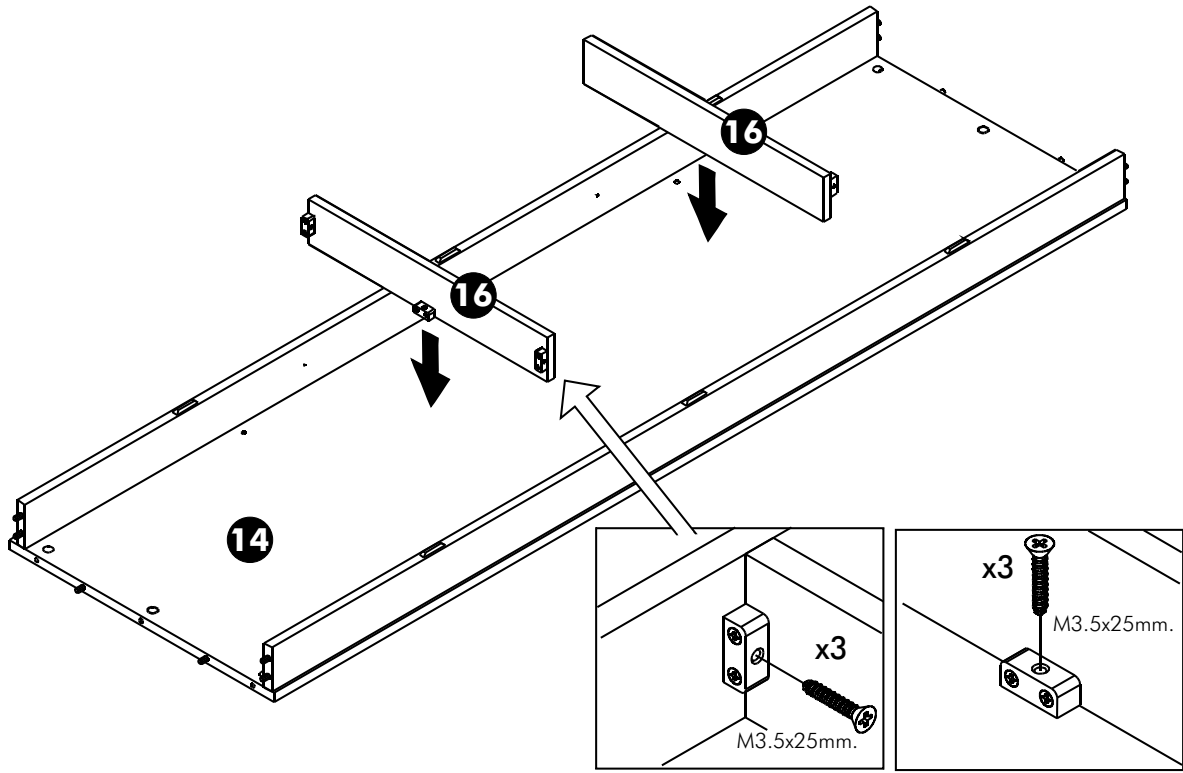
5.



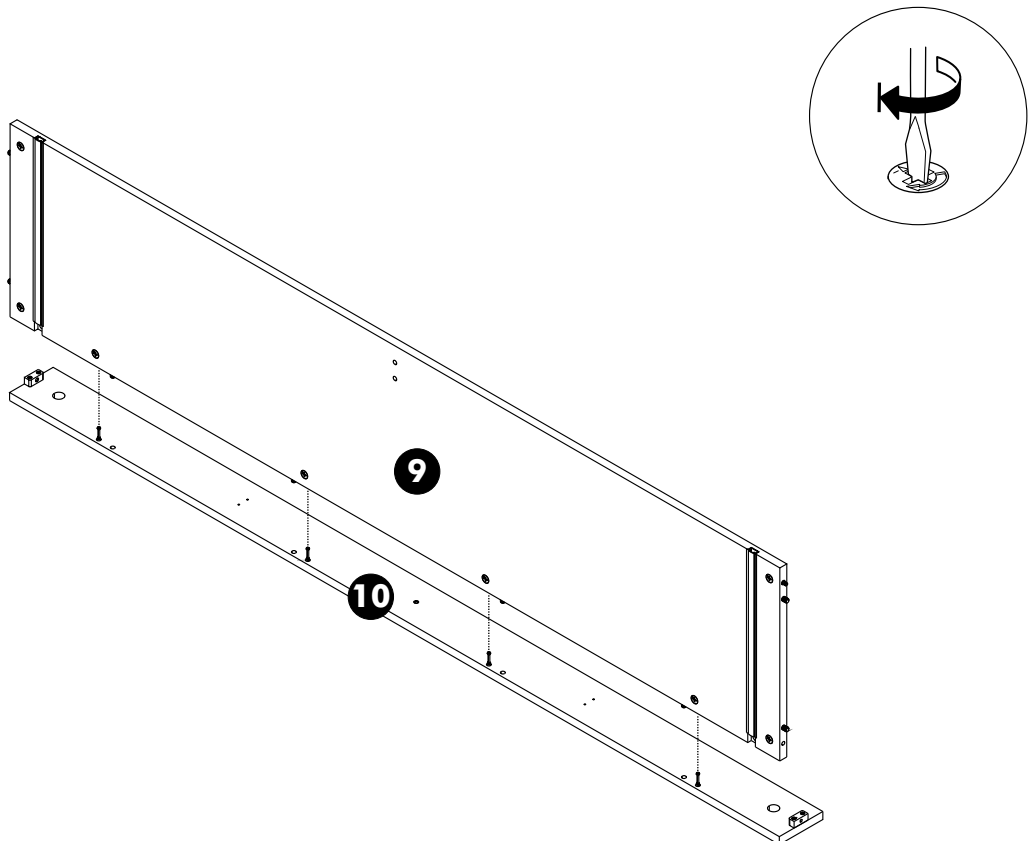
6.



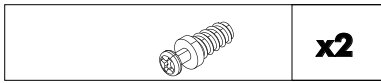
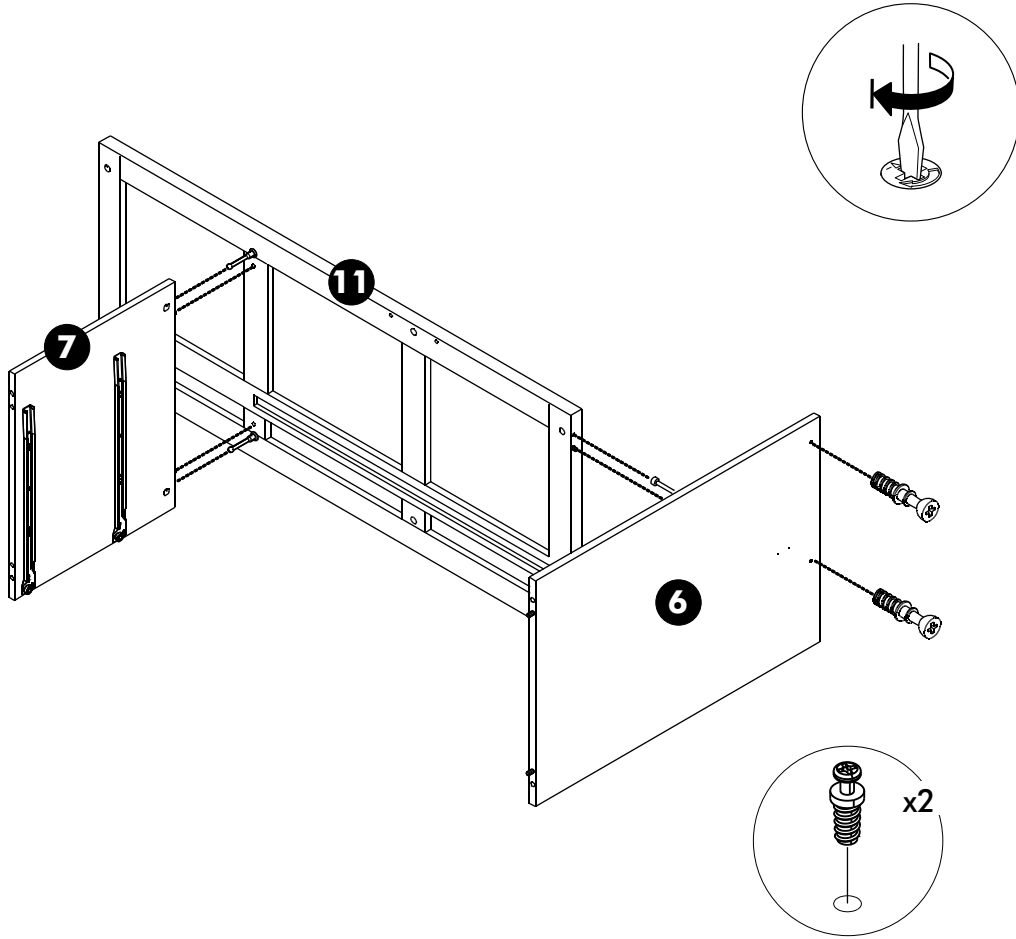
7.



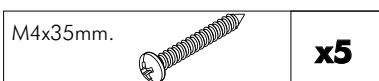
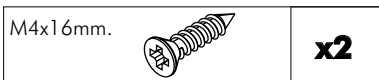
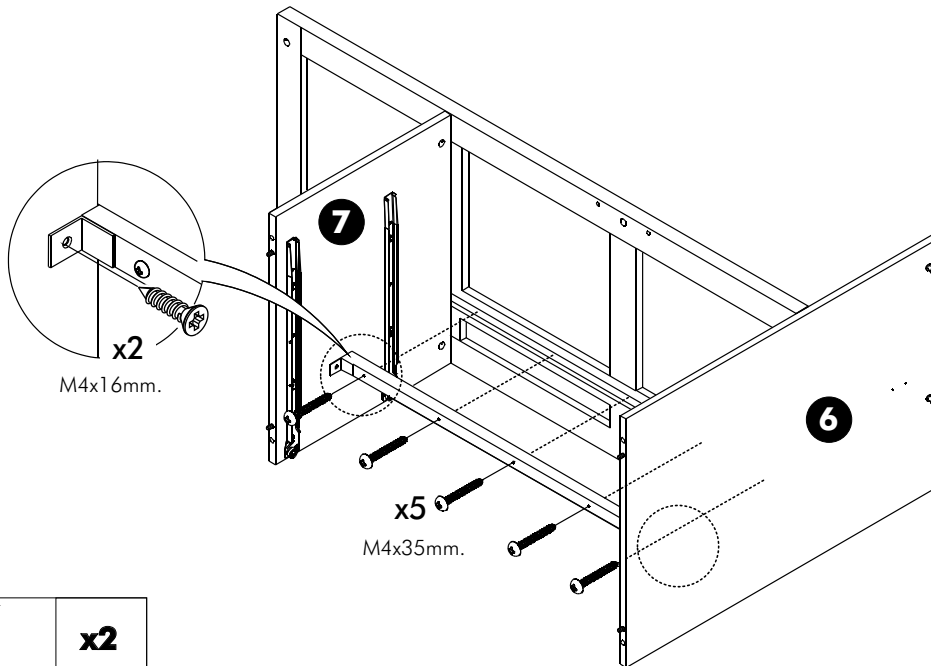
8.



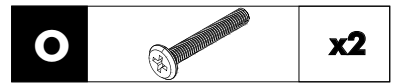
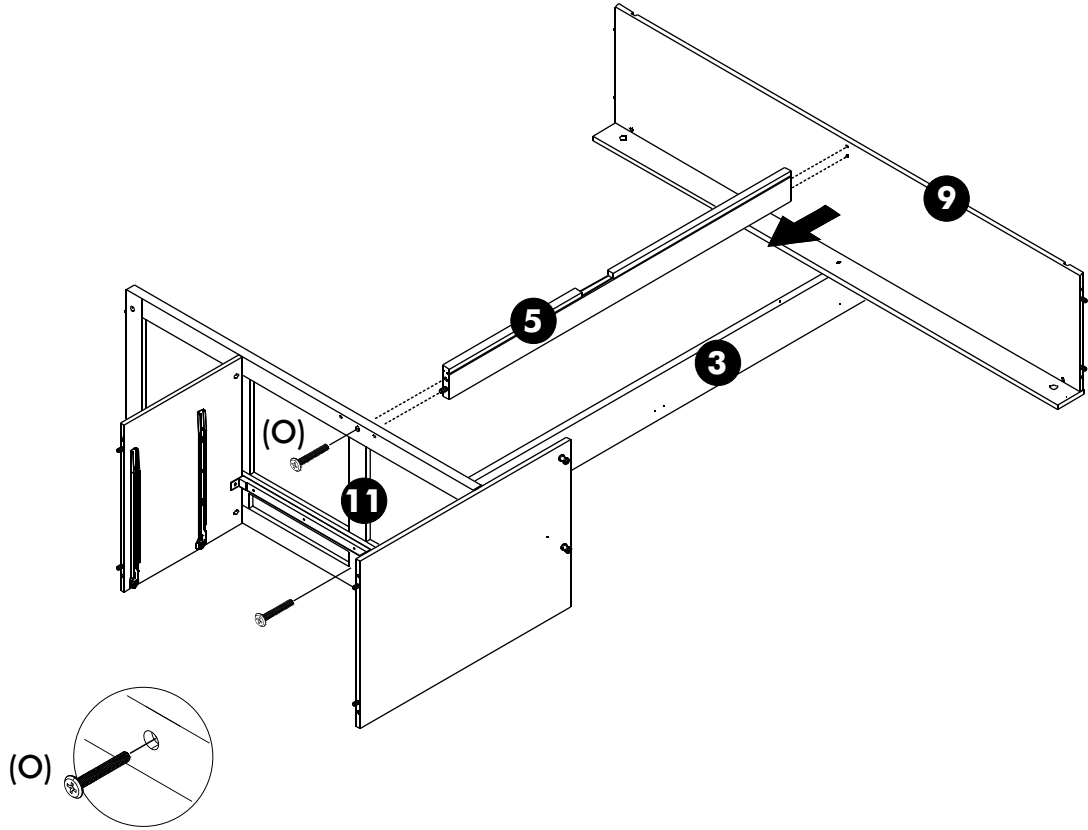
9.



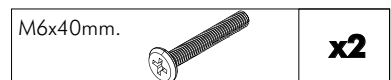
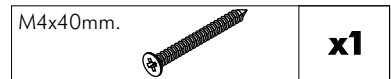
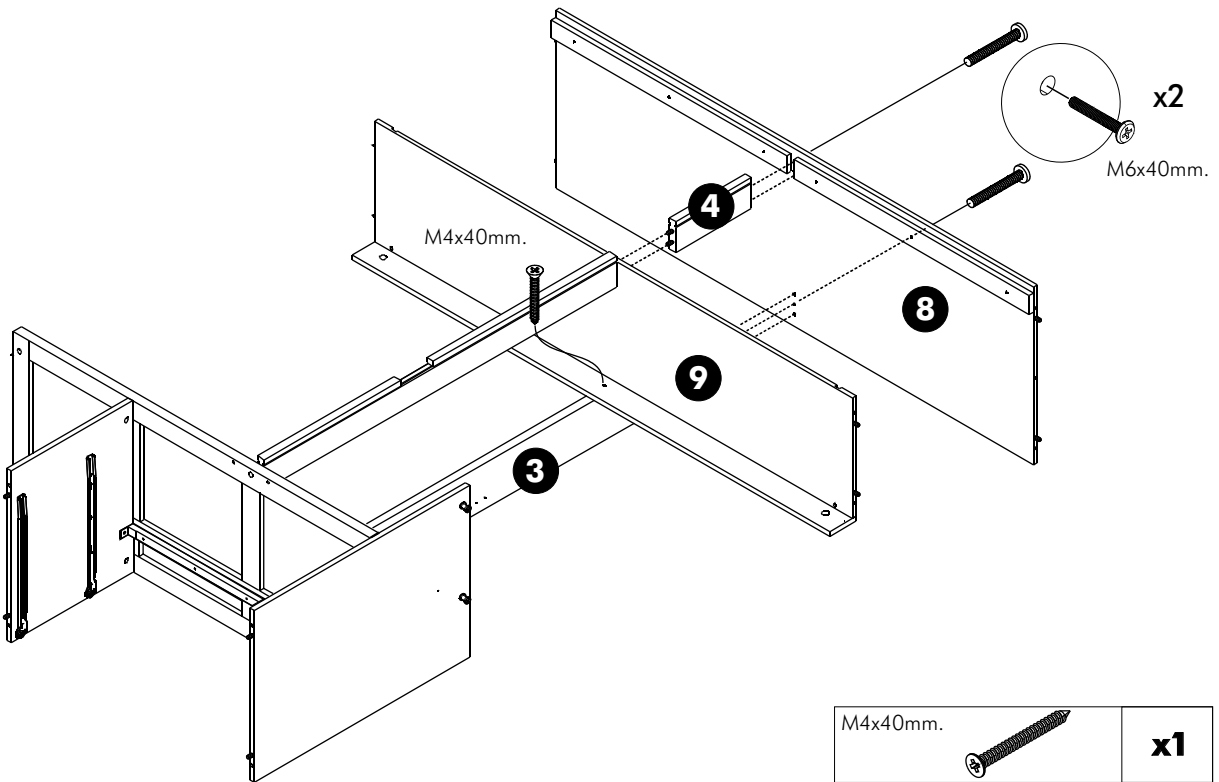
10.



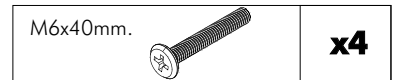
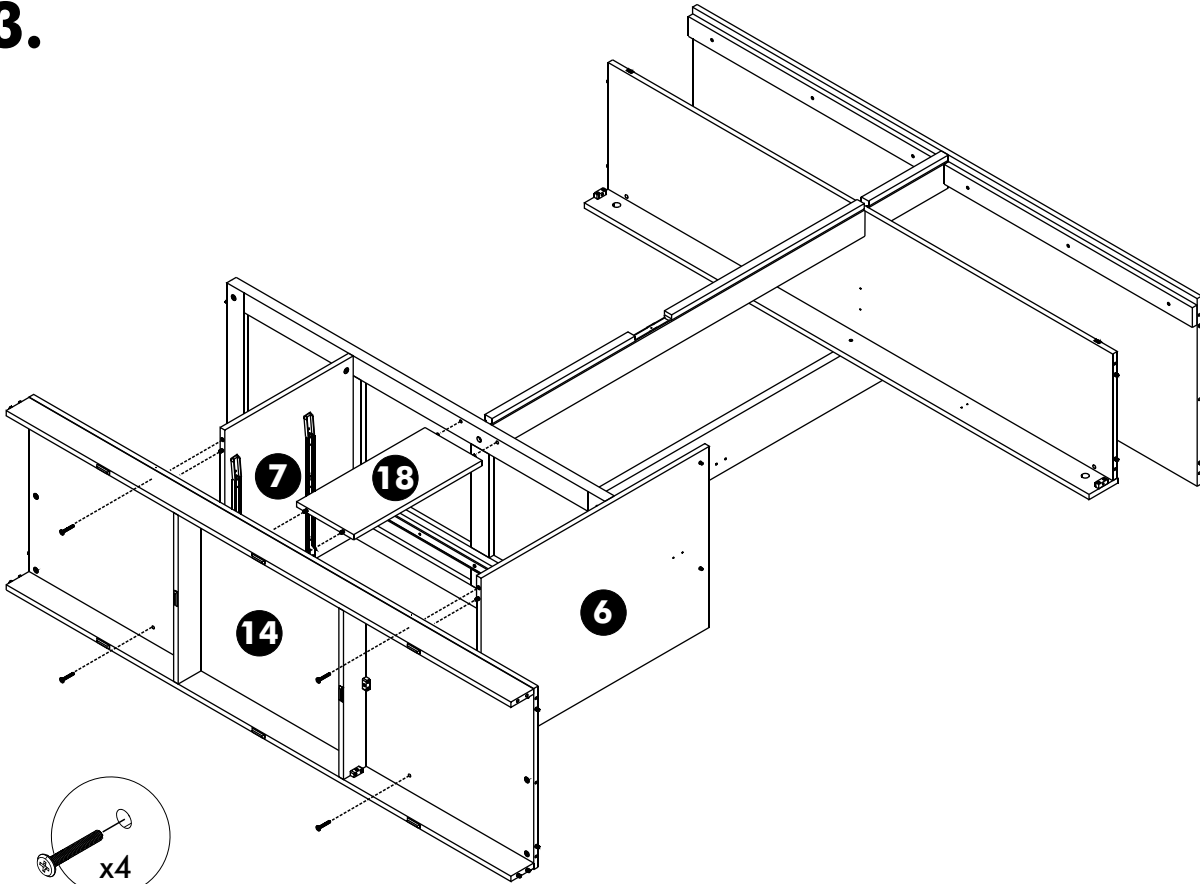
11.



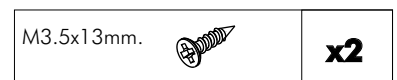
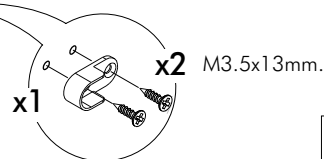
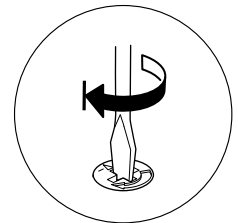
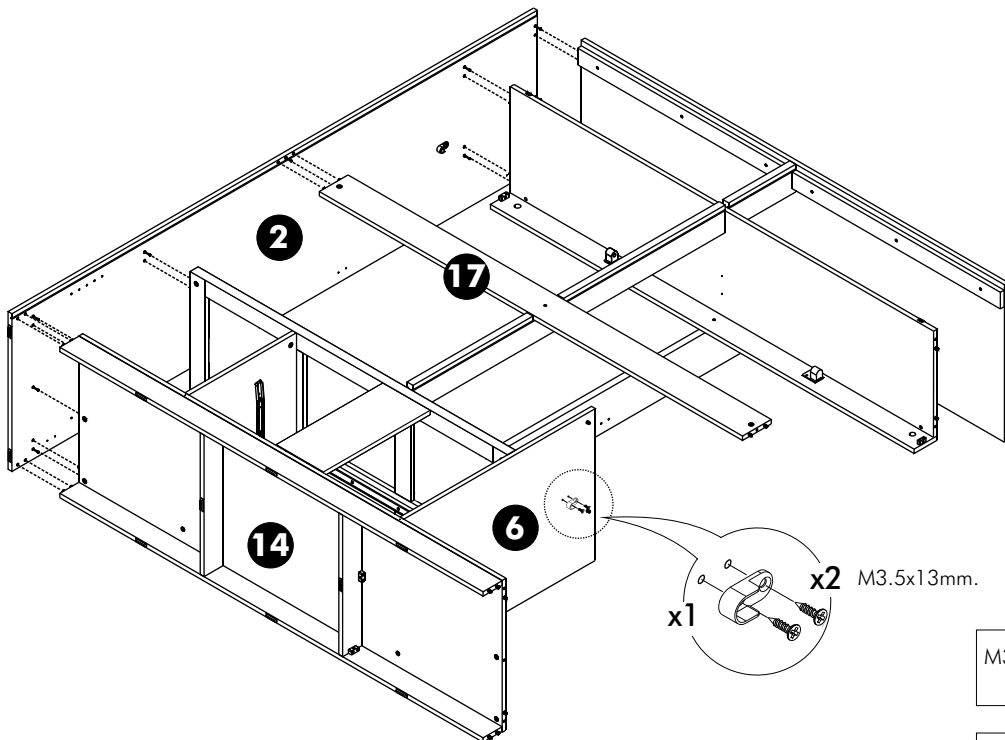
12.



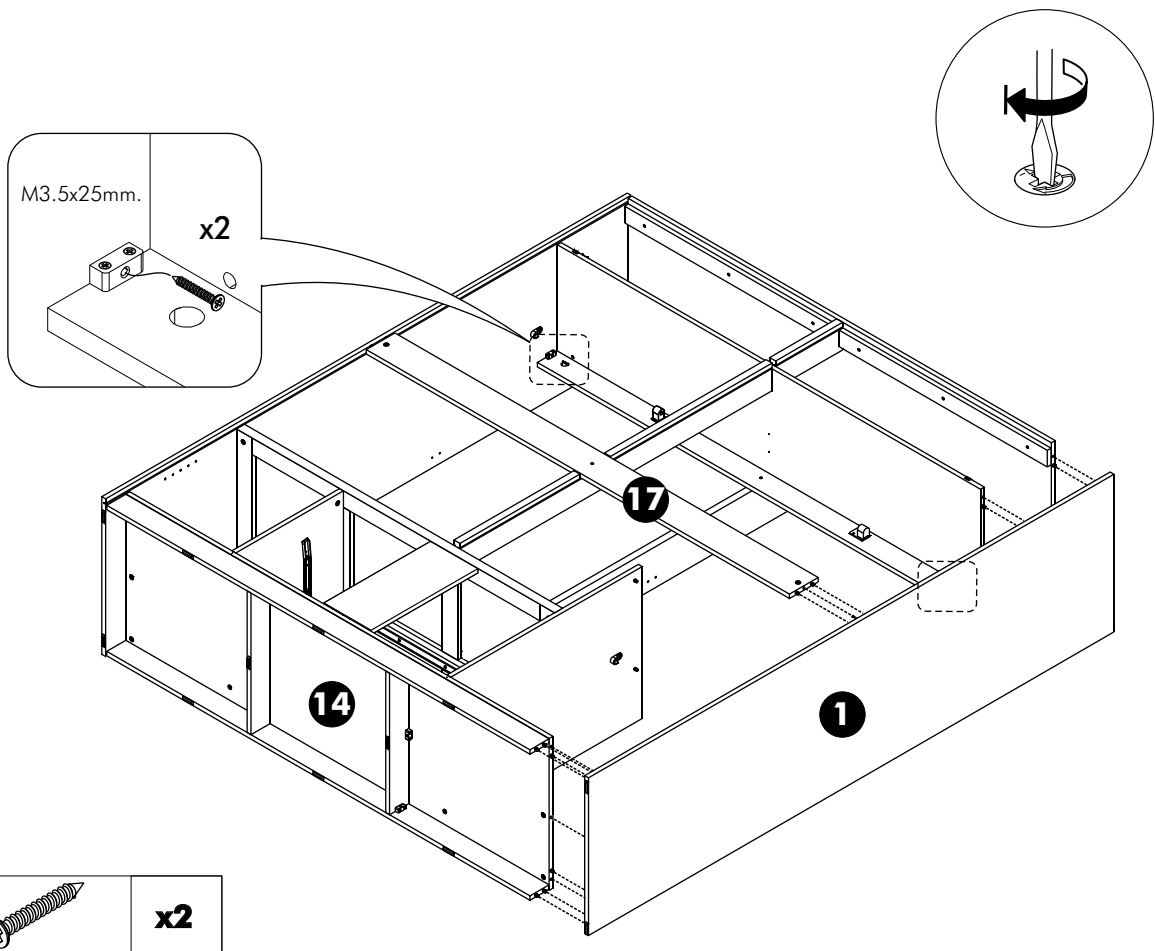
13.



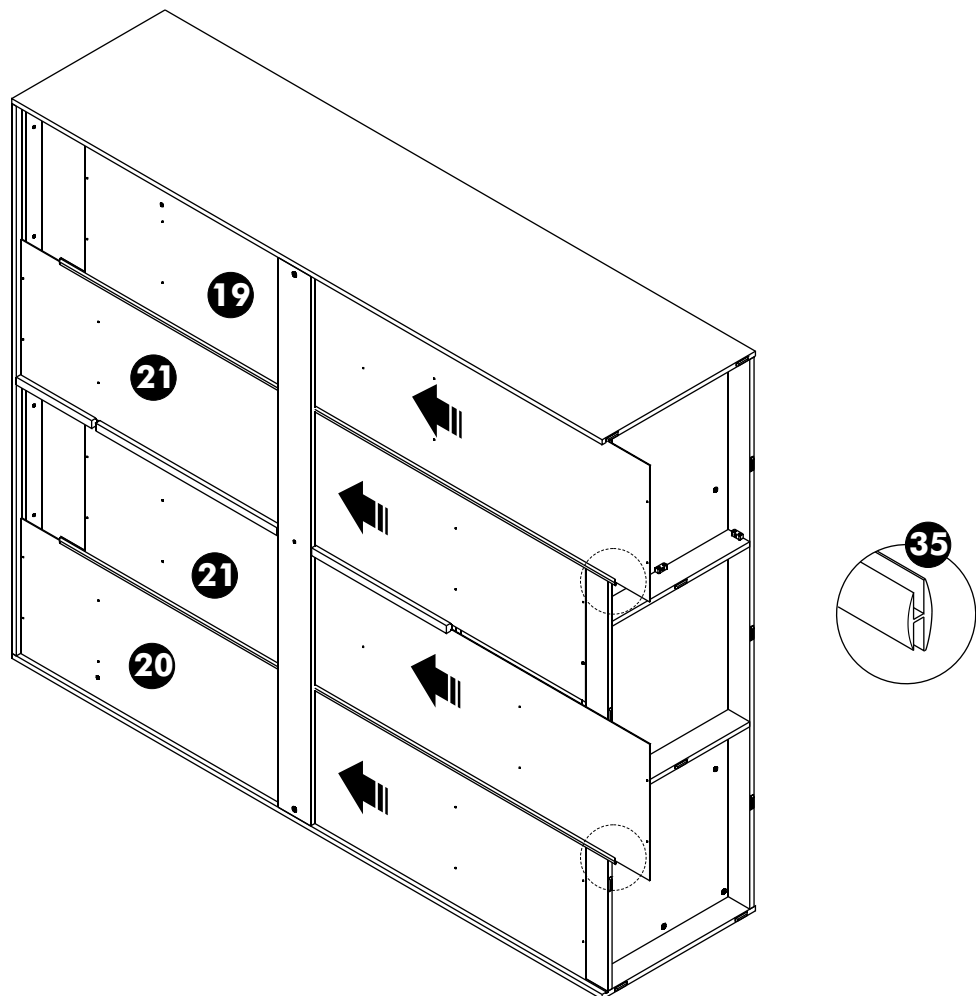
14.



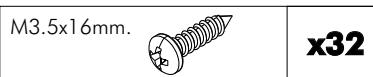
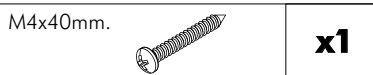
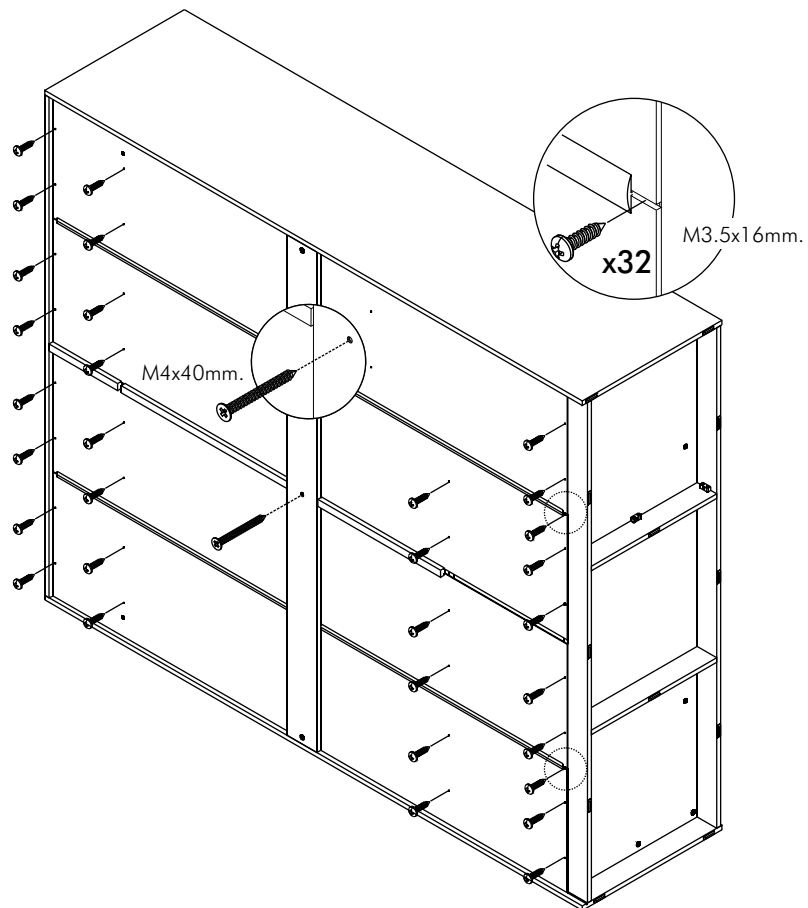
15.



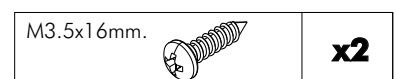
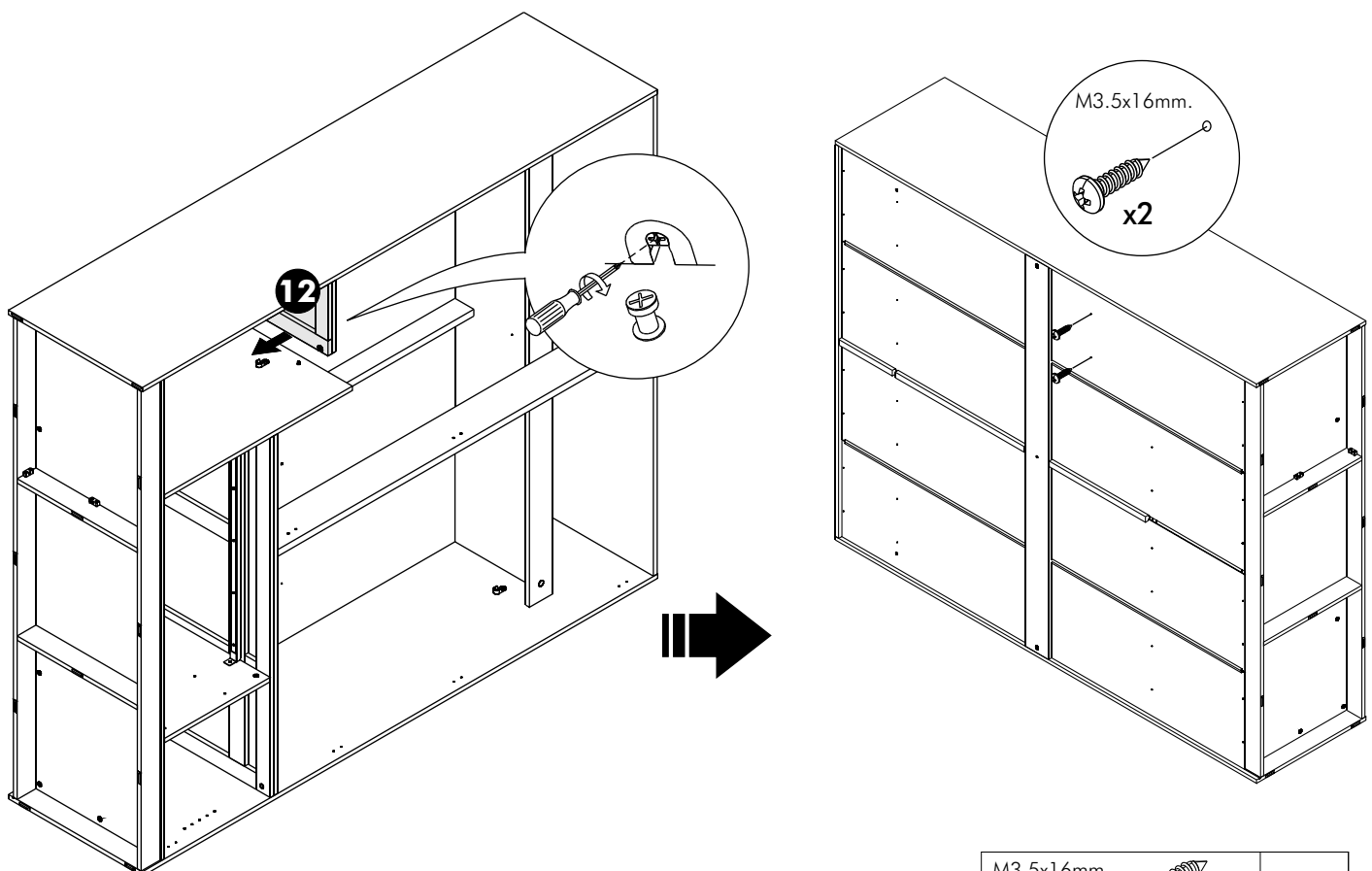
16.



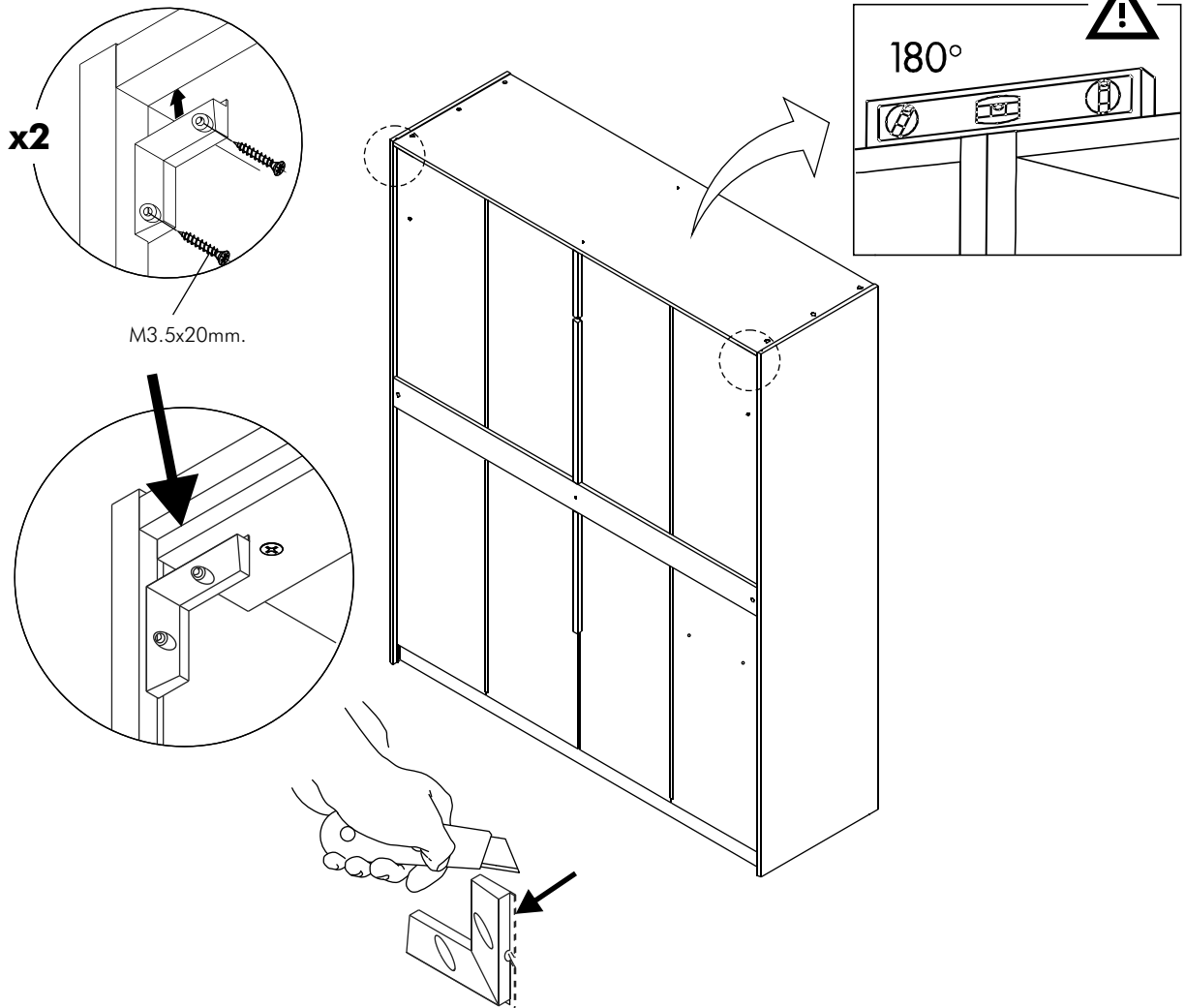
17.



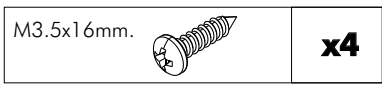
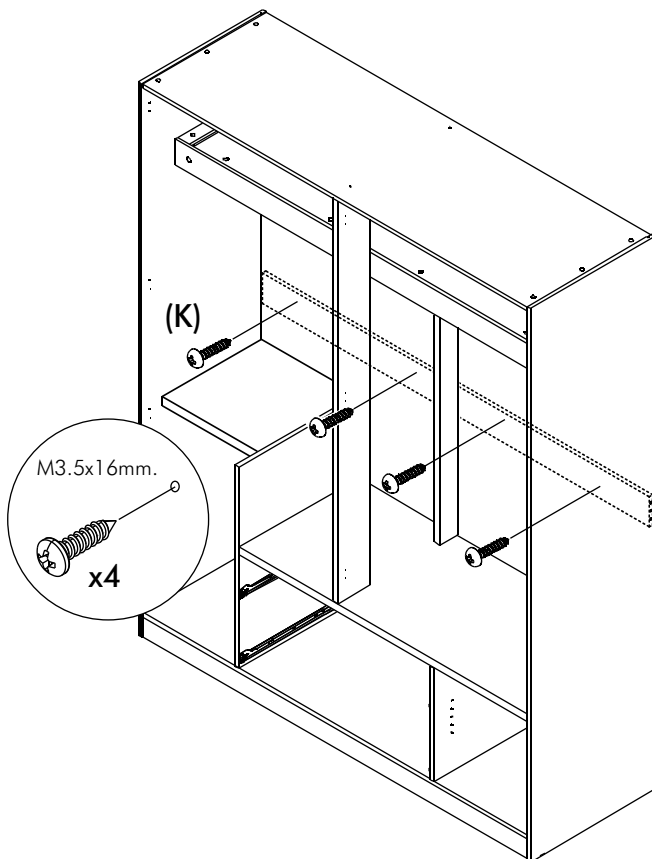
18.



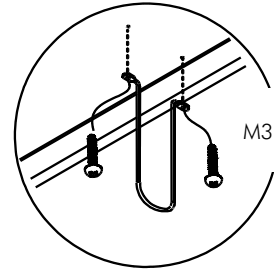
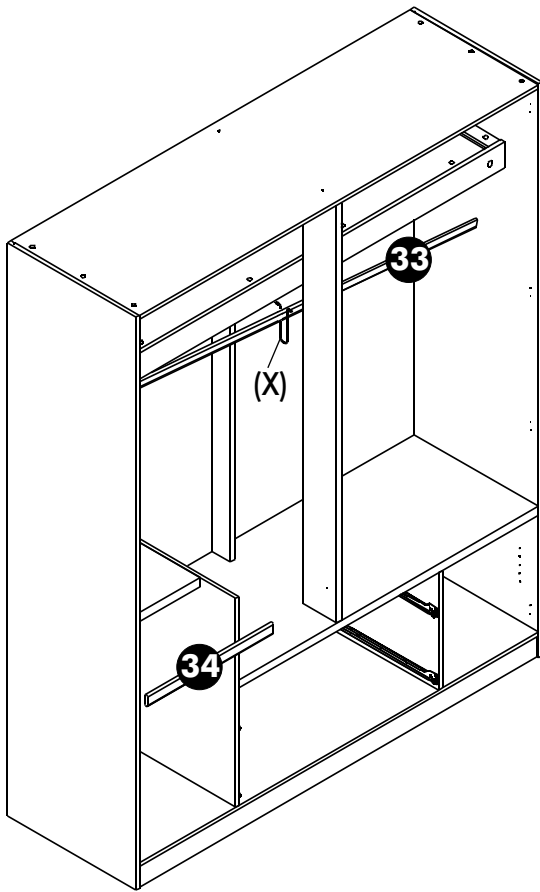
19.



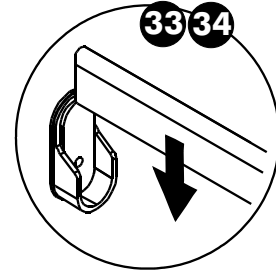
20.



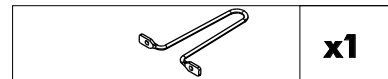
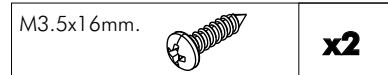
21.



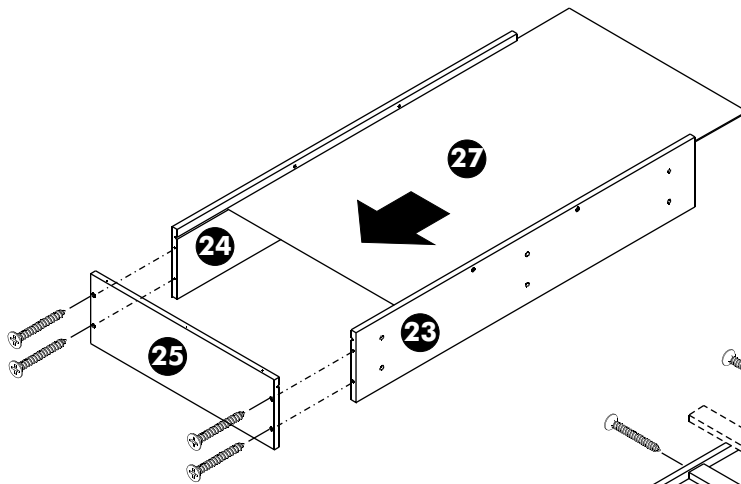
M3.5x16mm.



33 34



22.

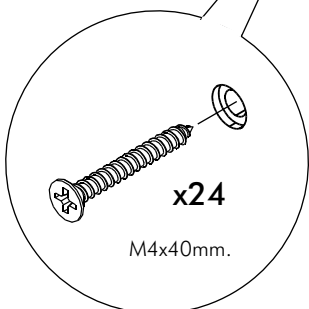


27

24

23

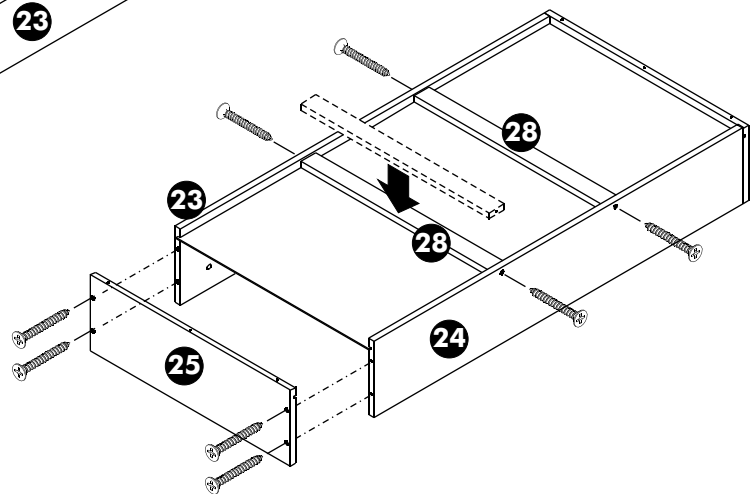
25



x24

M4x40mm.

x2



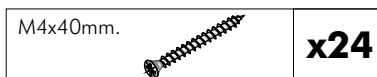
28

23

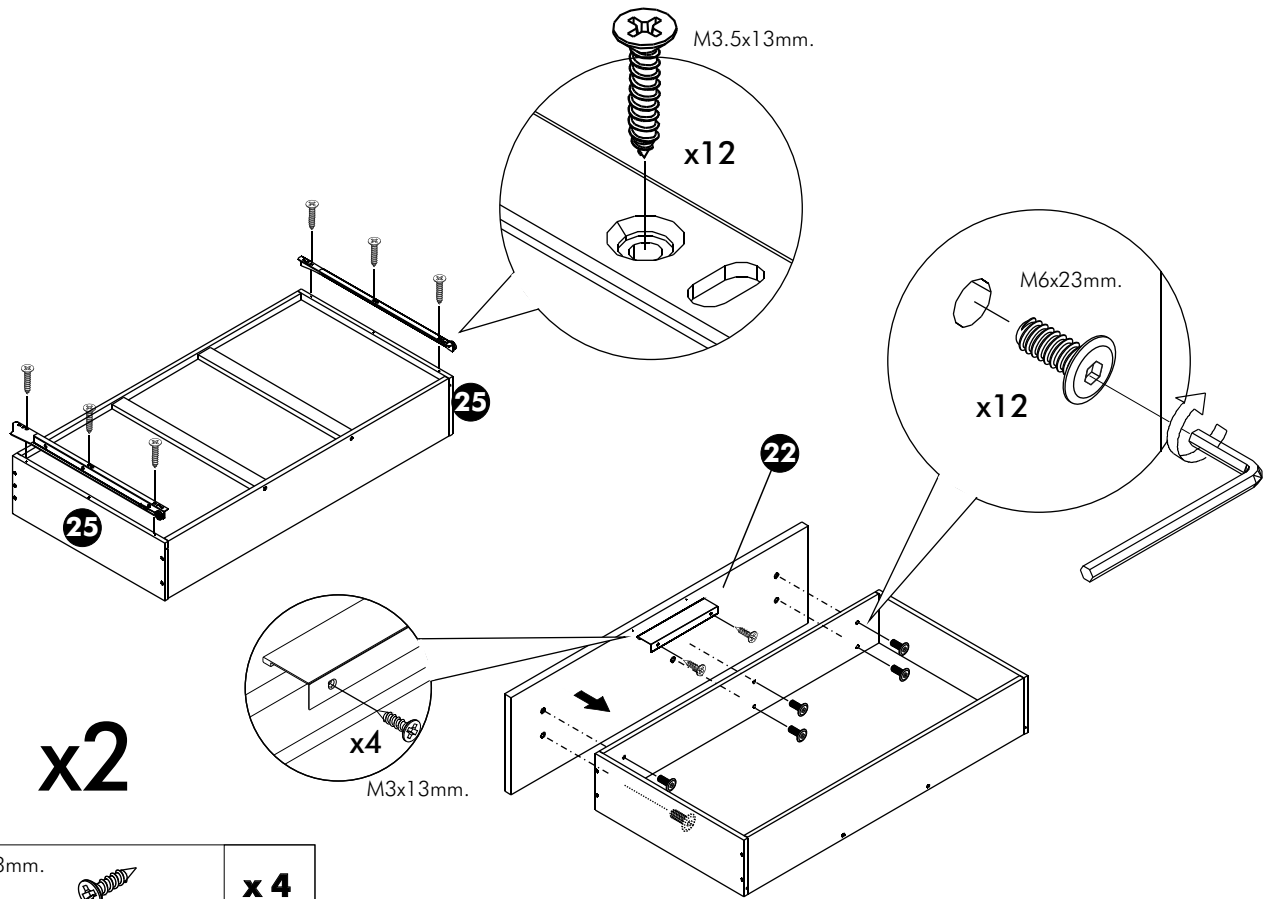
28


25


24

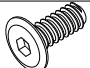



23.

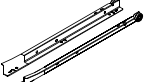


M3x13mm.		x 4
----------	---	------------

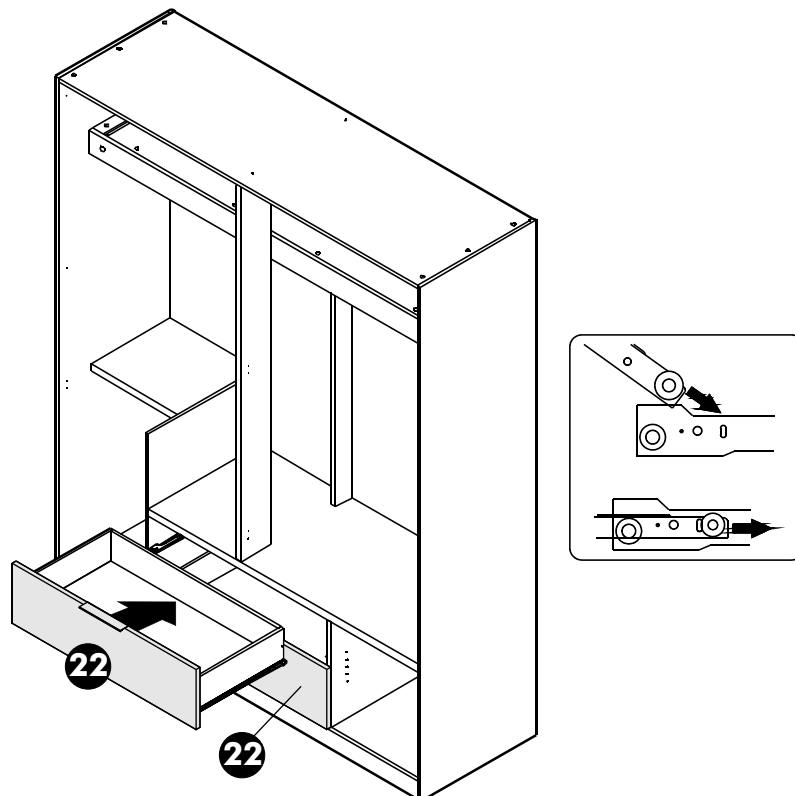
	x 2
---	------------

M6x23mm.		x12
----------	---	------------

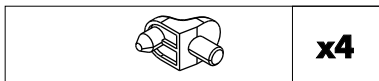
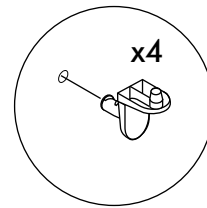
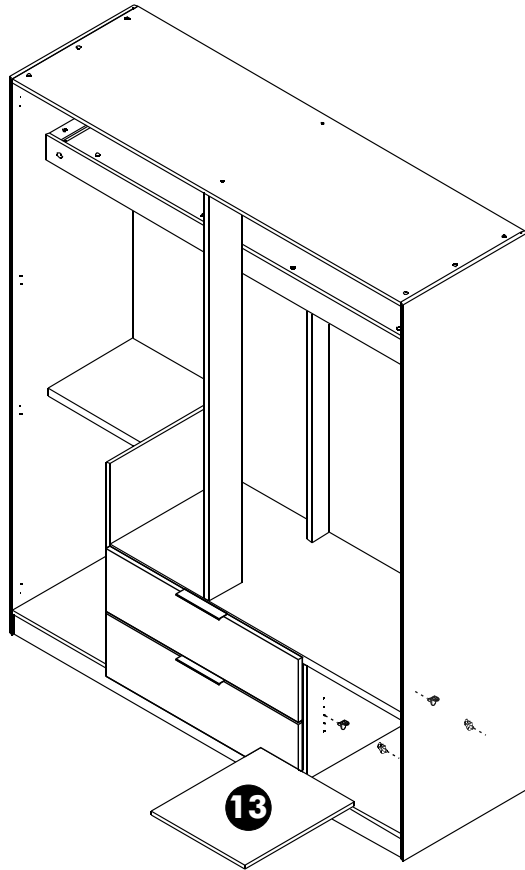
M3.5x13mm.		x12
------------	---	------------

	x2
---	-----------

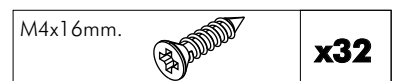
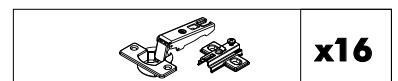
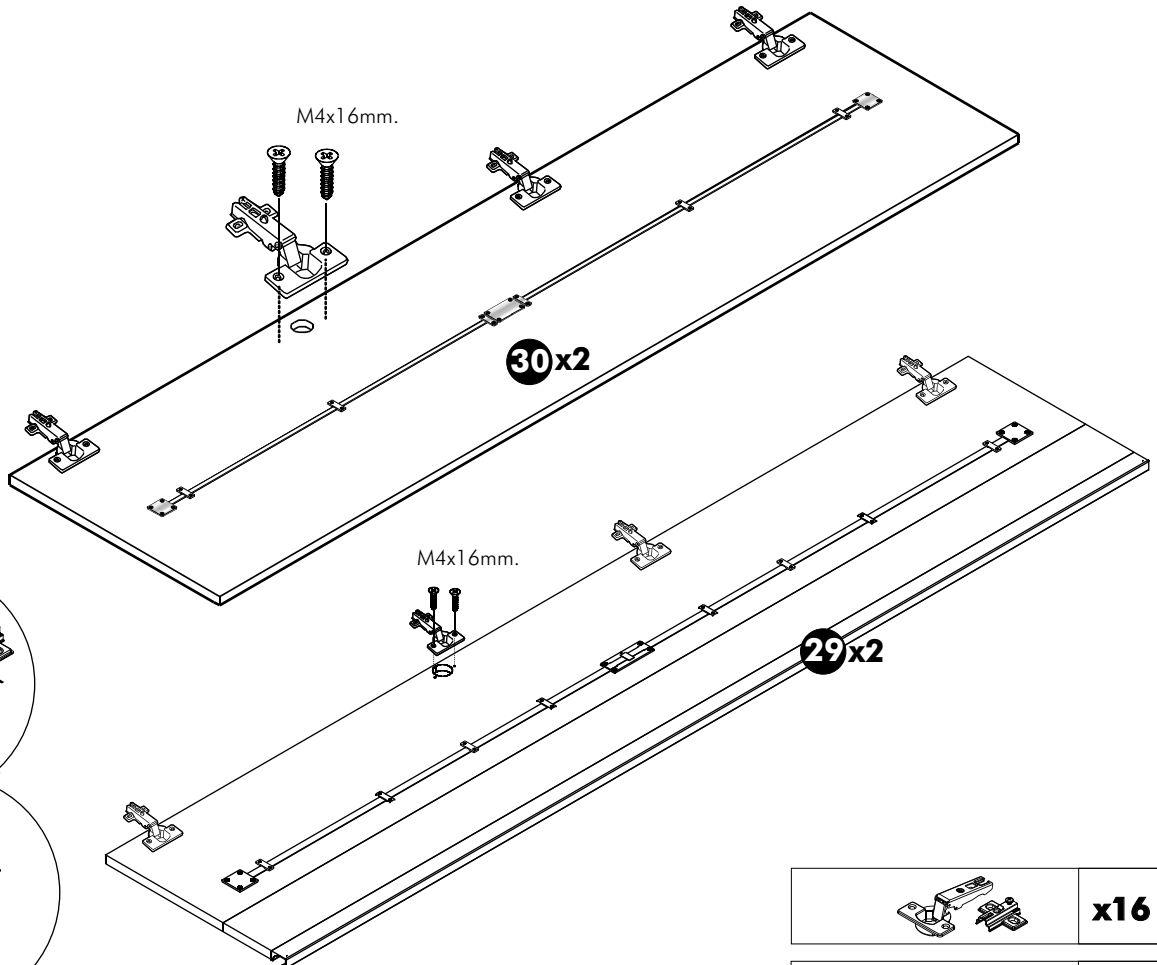
24.



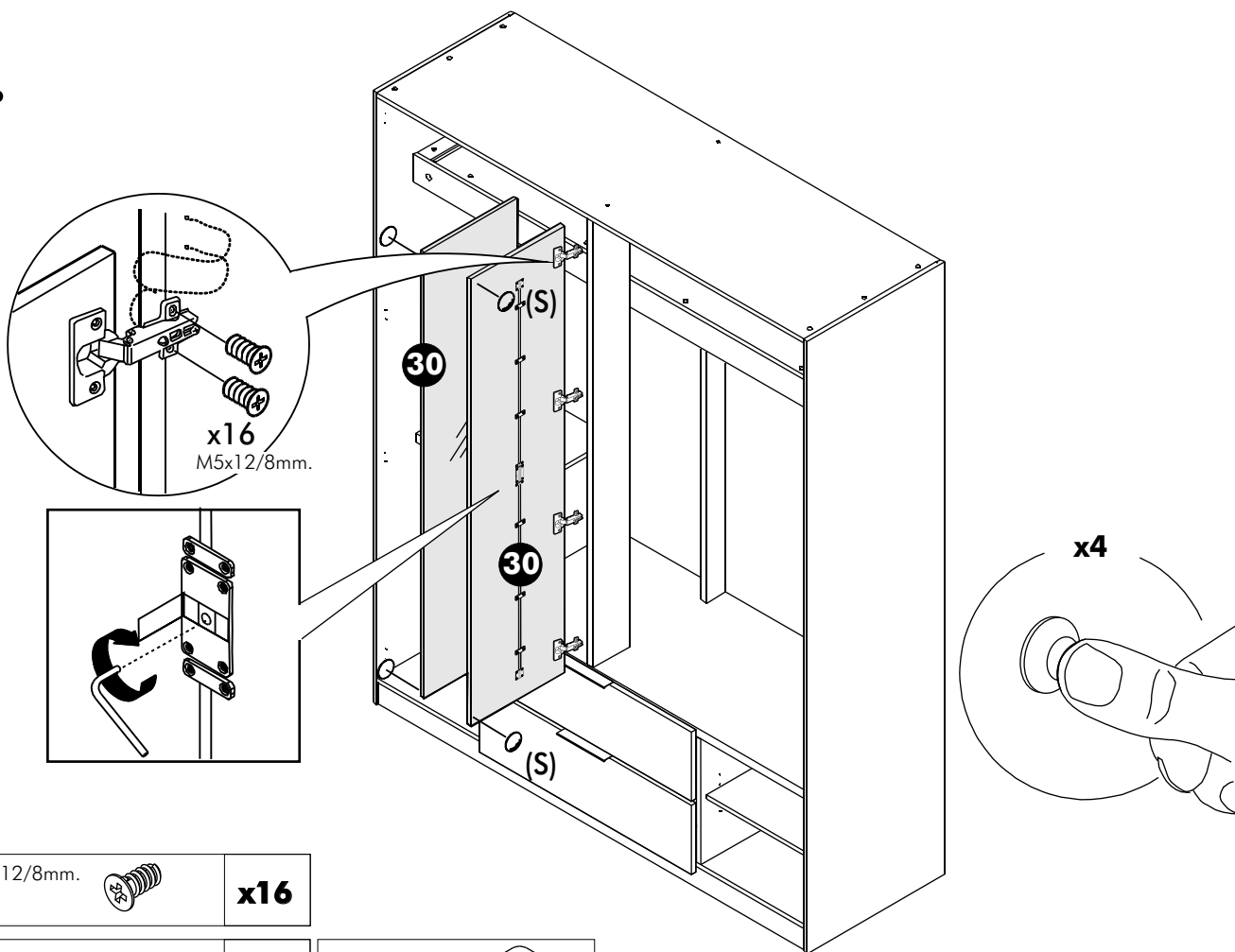
25.



26.






27.



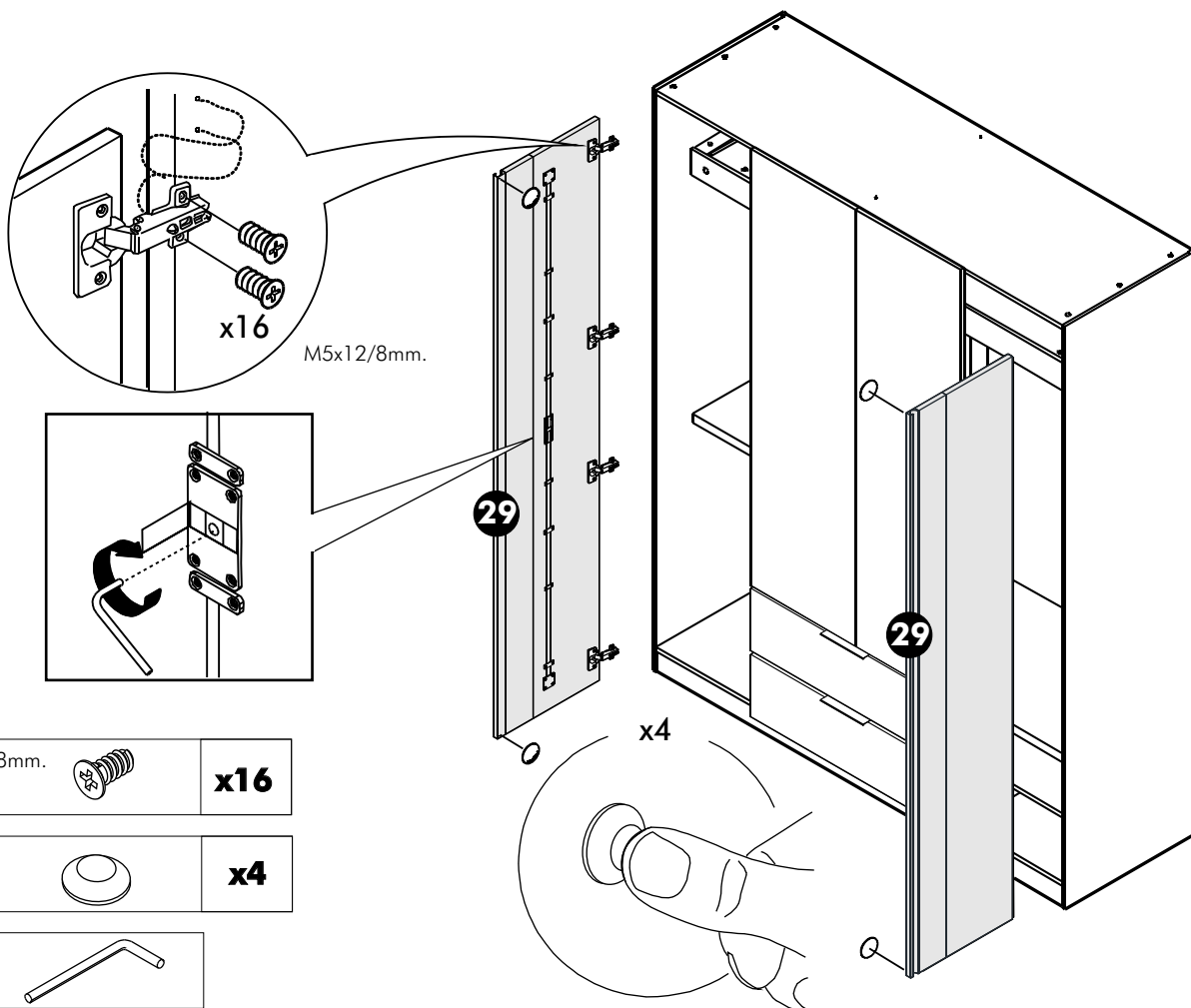
x16
M5x12/8mm.

x4

M5x12/8mm.		x16
------------	--	------------

	x4	
---	-----------	---


28.




x16
M5x12/8mm.

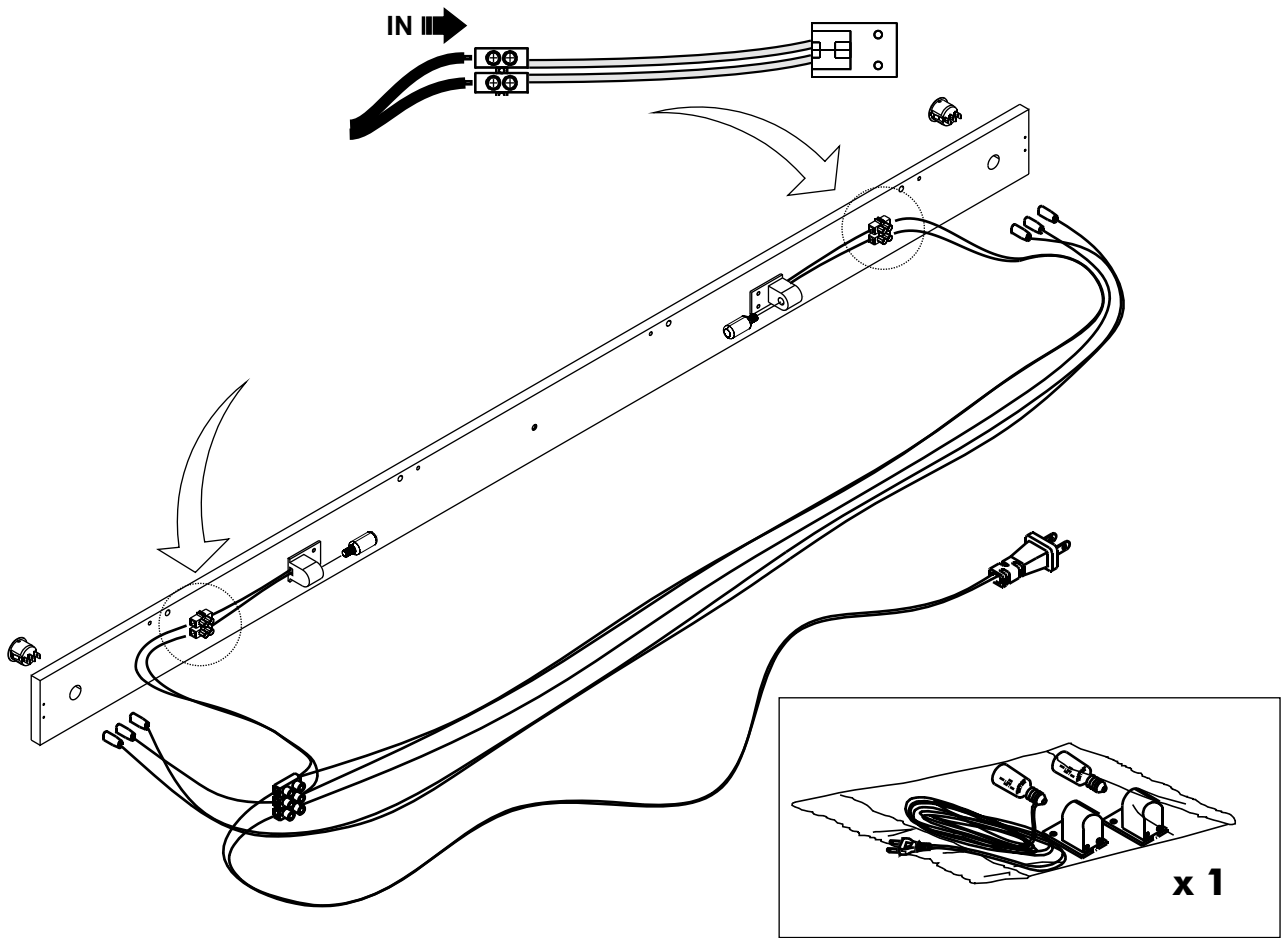
x4

M5x12/8mm.		x16
------------	---	------------

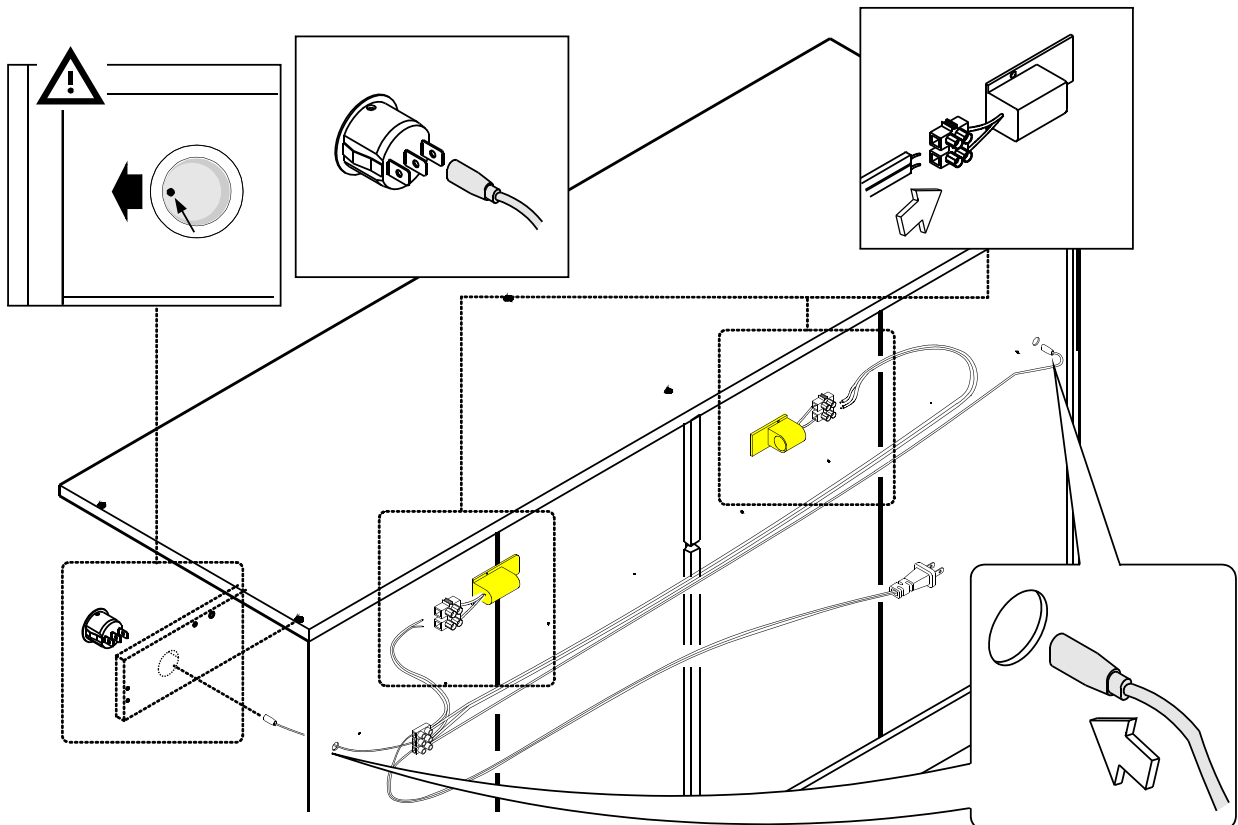
	x4	
---	-----------	--

		
---	--	--

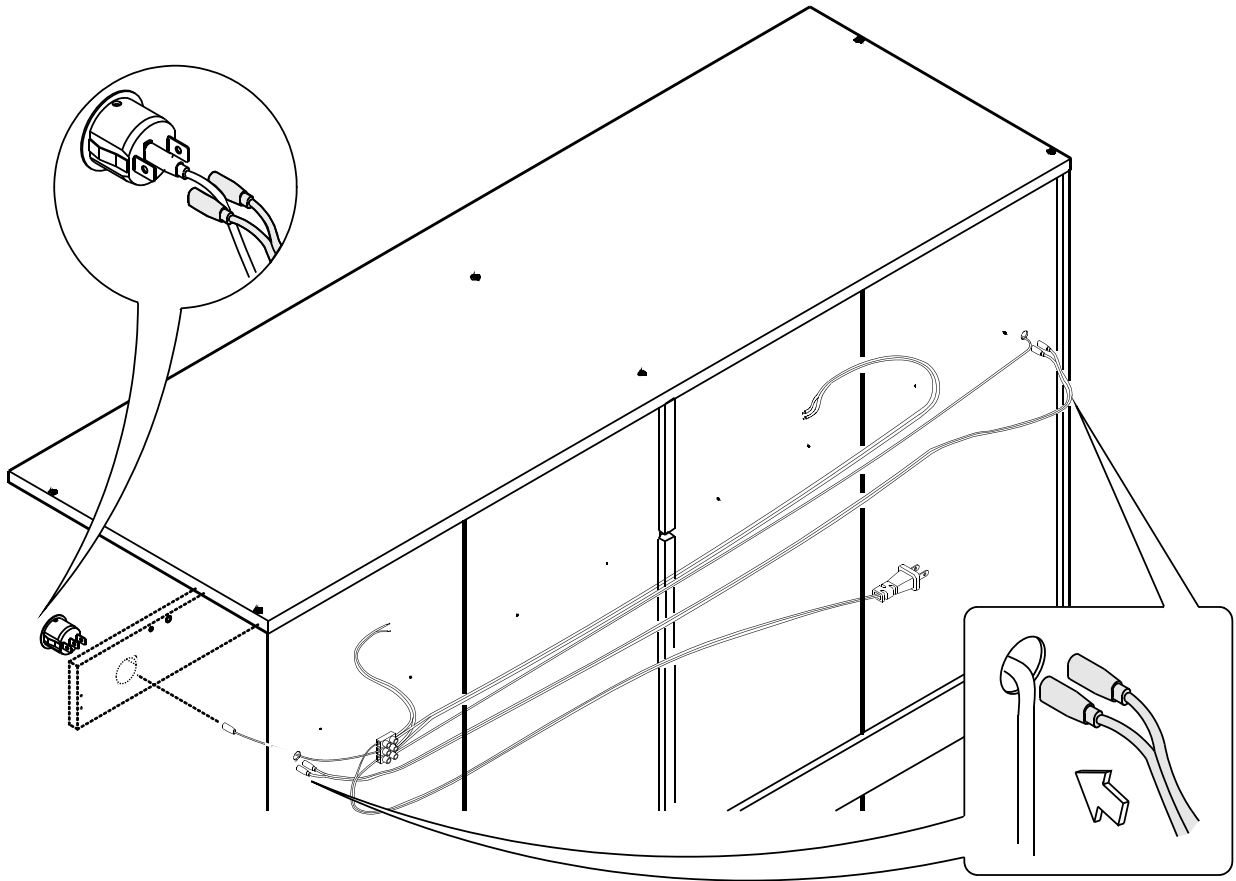
29.



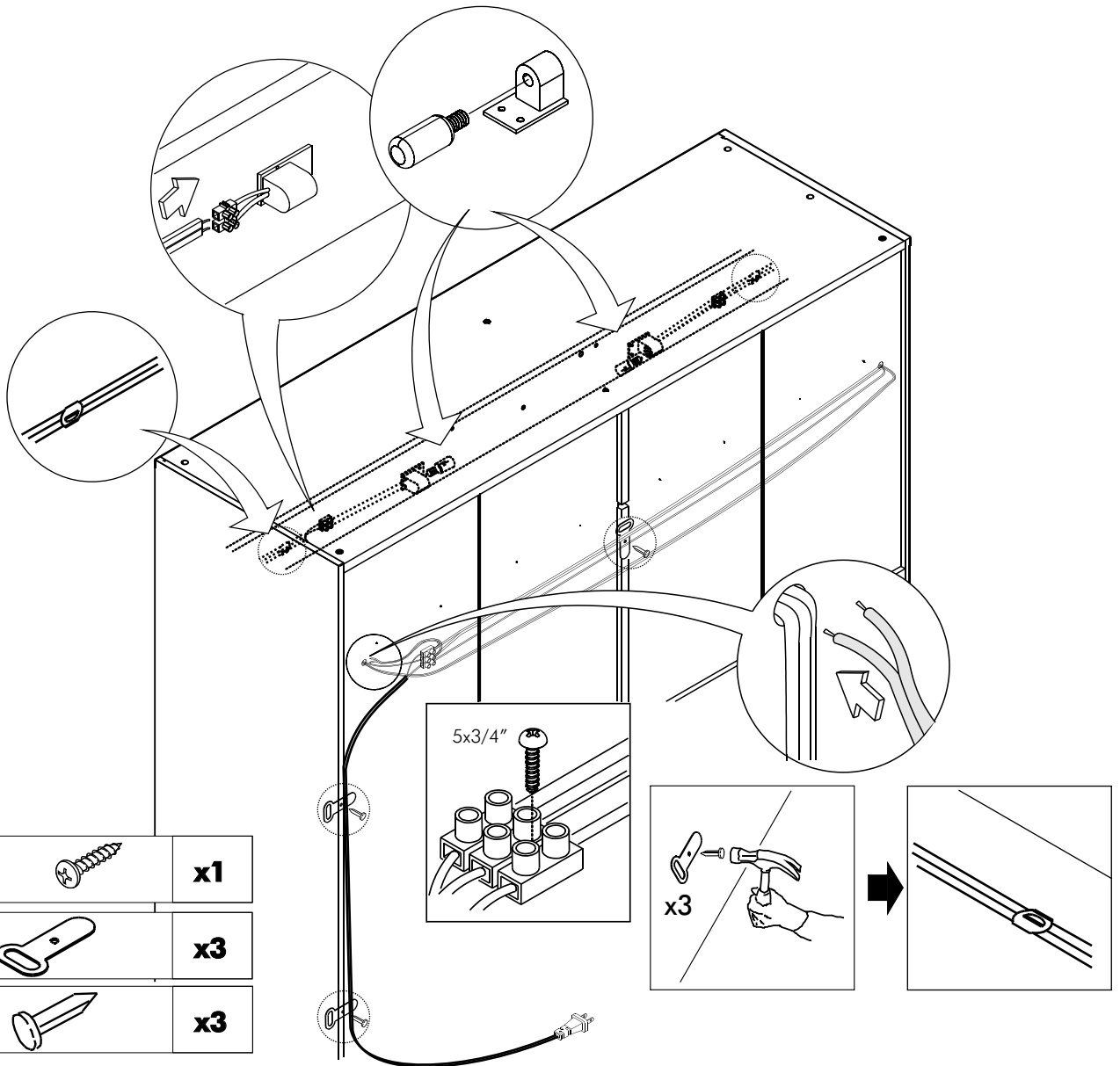
30.






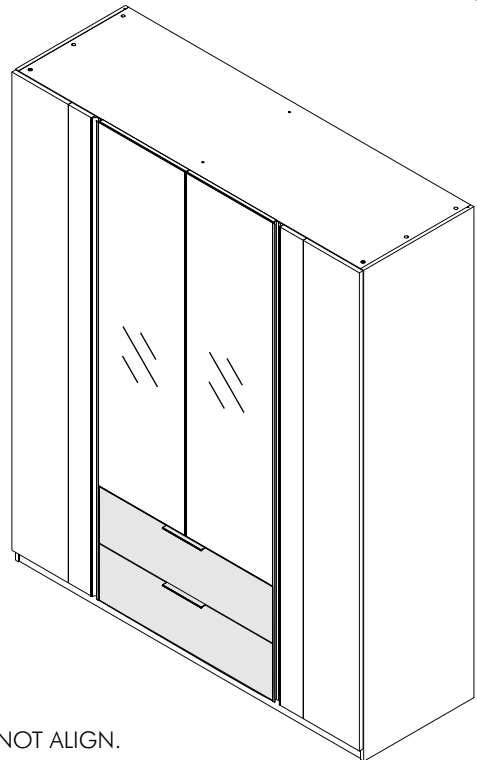
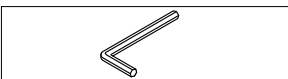
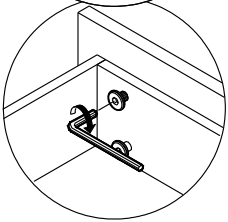
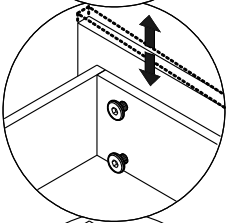
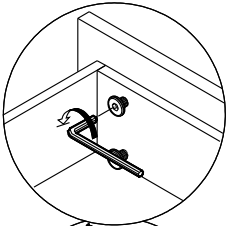
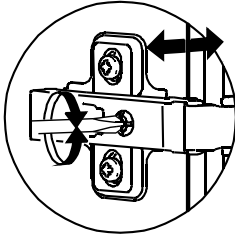
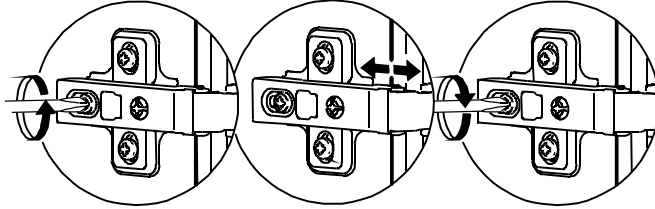
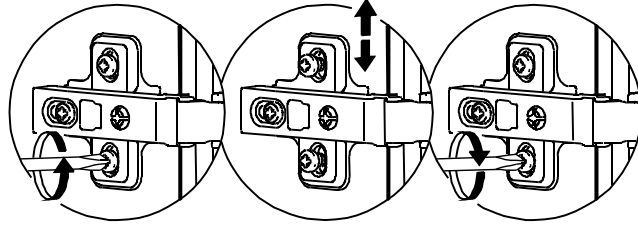
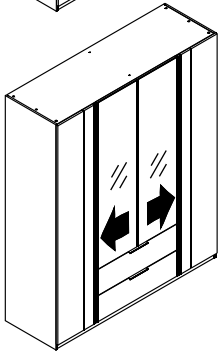
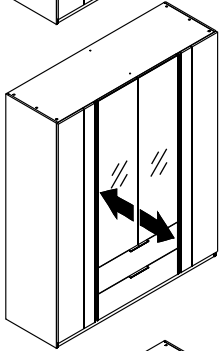
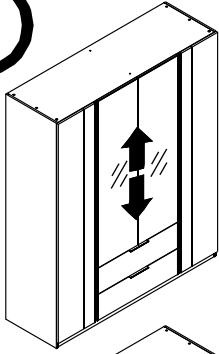
31.



32.



5x3/4"		x1
		x3
		x3



AFTER FINISHED ASSEMBLY.

IN CASE OF GAP BETWEEN DRAWERS ARE NOT ALIGN.
PLEASE ADJUST AS BELOW.

1. LOOSE SCREW A LITTLE BIT.
2. THEN MOVE FRONT DRAWER TO ALIGNMENT POSITION.
3. TIGHTEN SCREW.