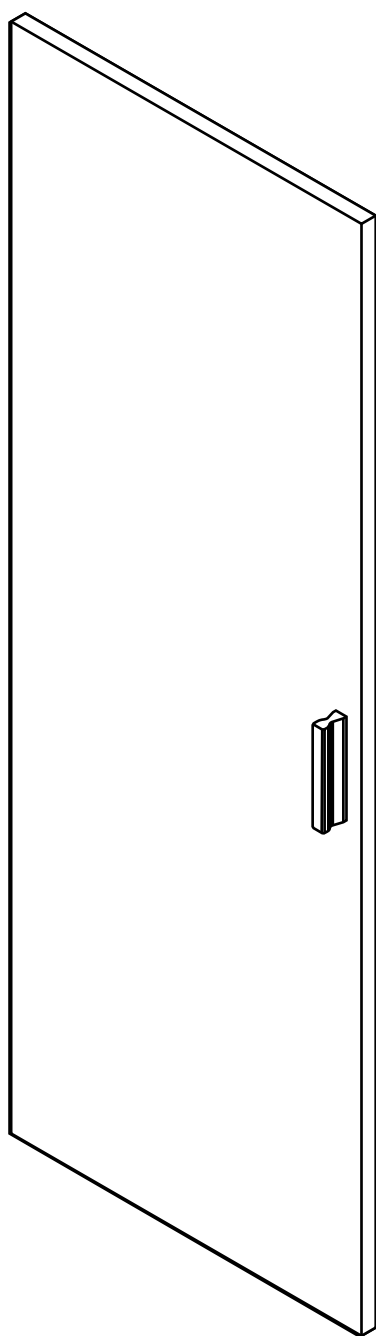
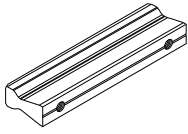


PUZZLE

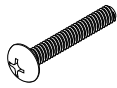
Medium wood door / 40cm.



HARDWARE

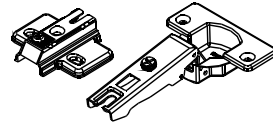


X 1



M4X22mm.

X 2



X 2

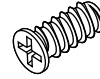


X 2



#M3.5x16(F)

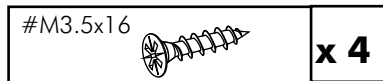
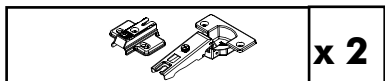
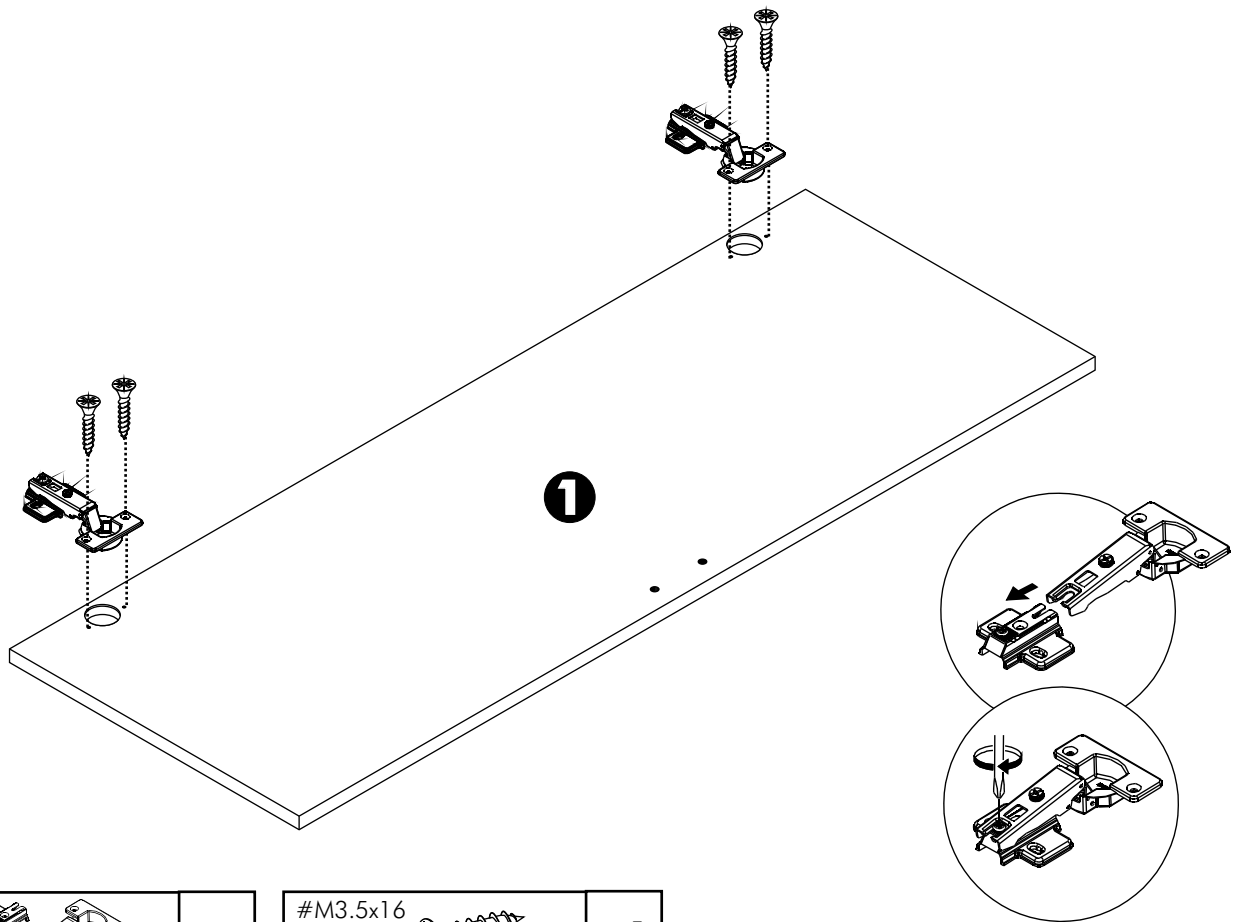
X 4



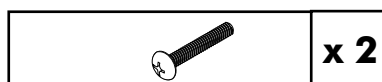
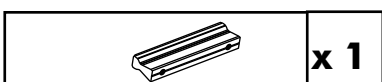
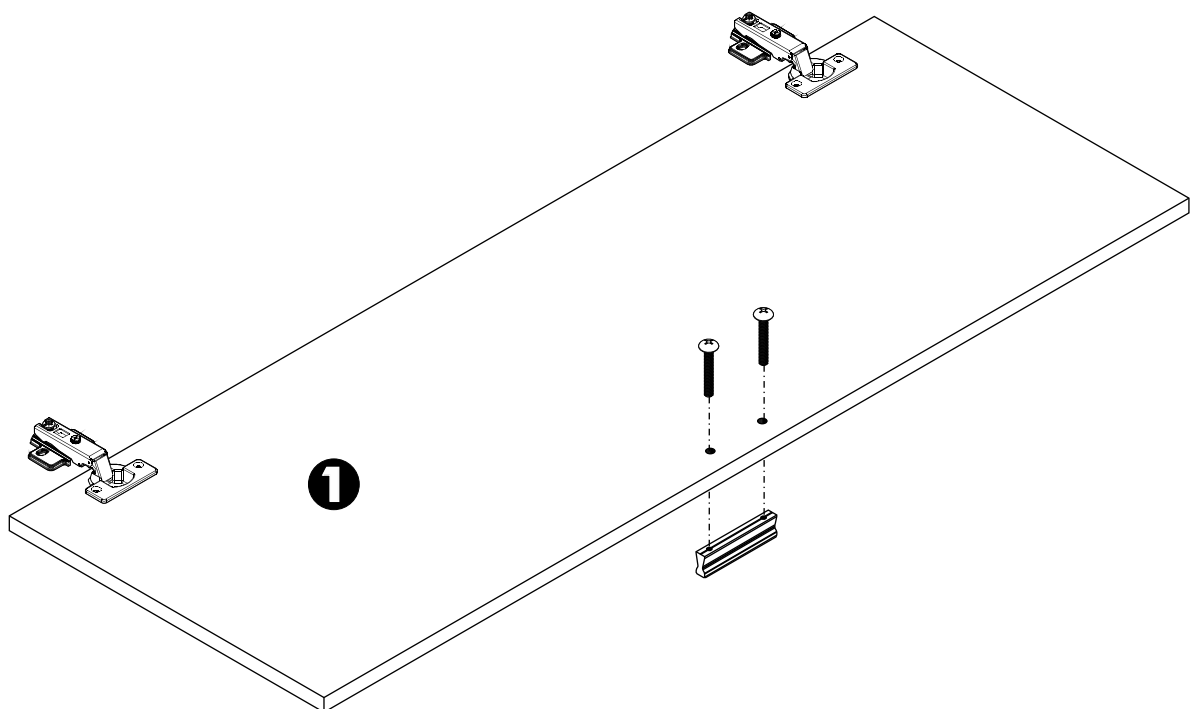
F*B #M5x12/8

X 4

1.



2.



3.

