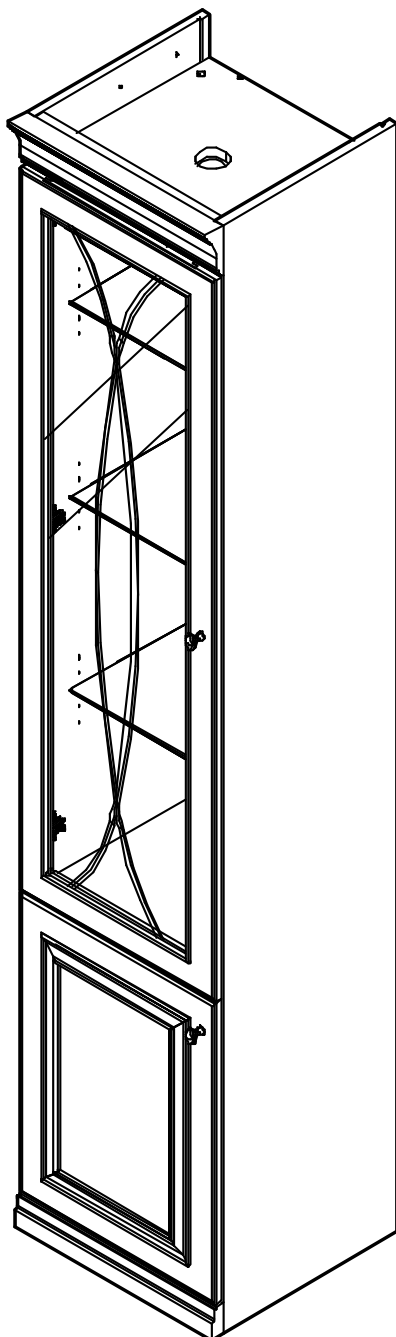
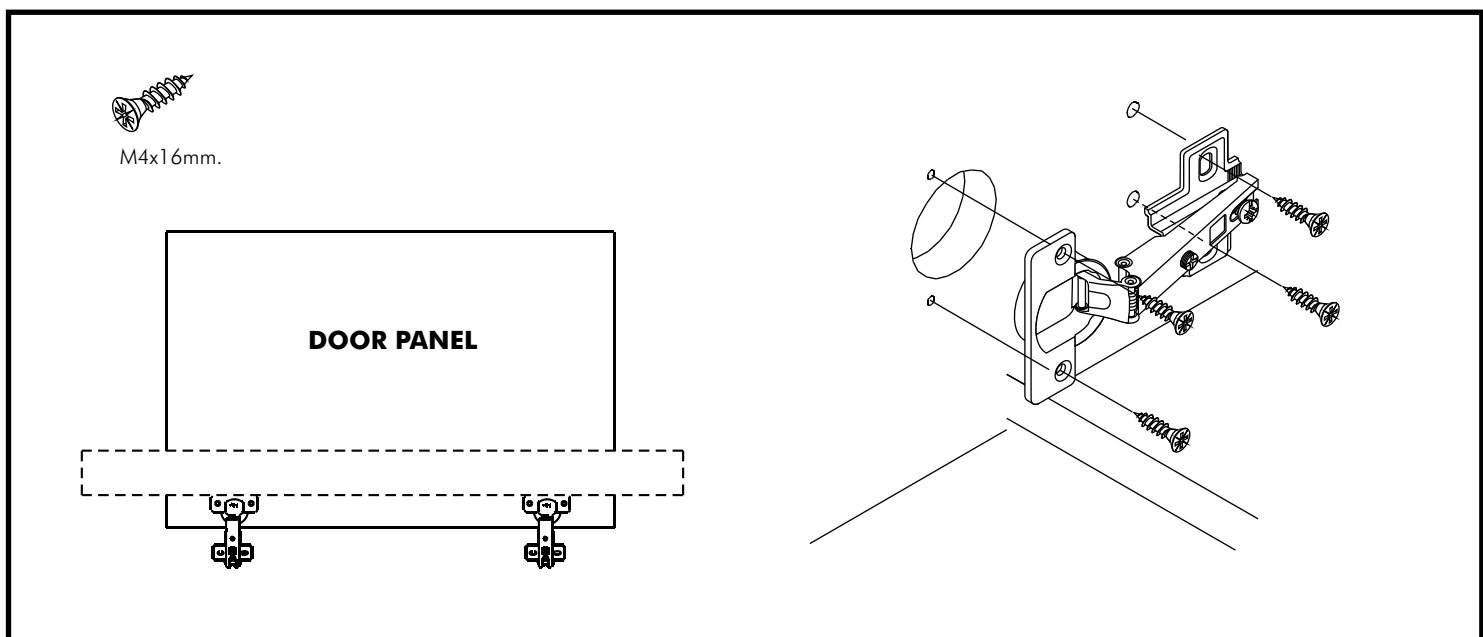
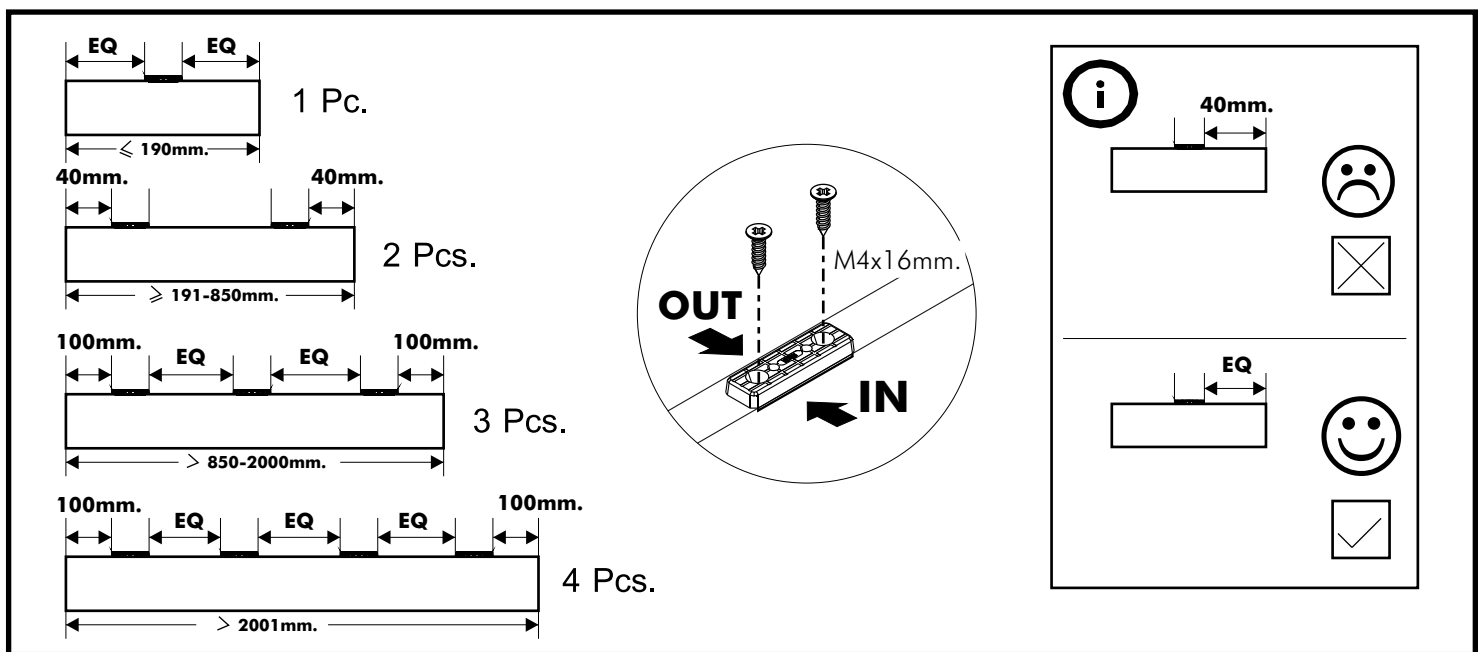
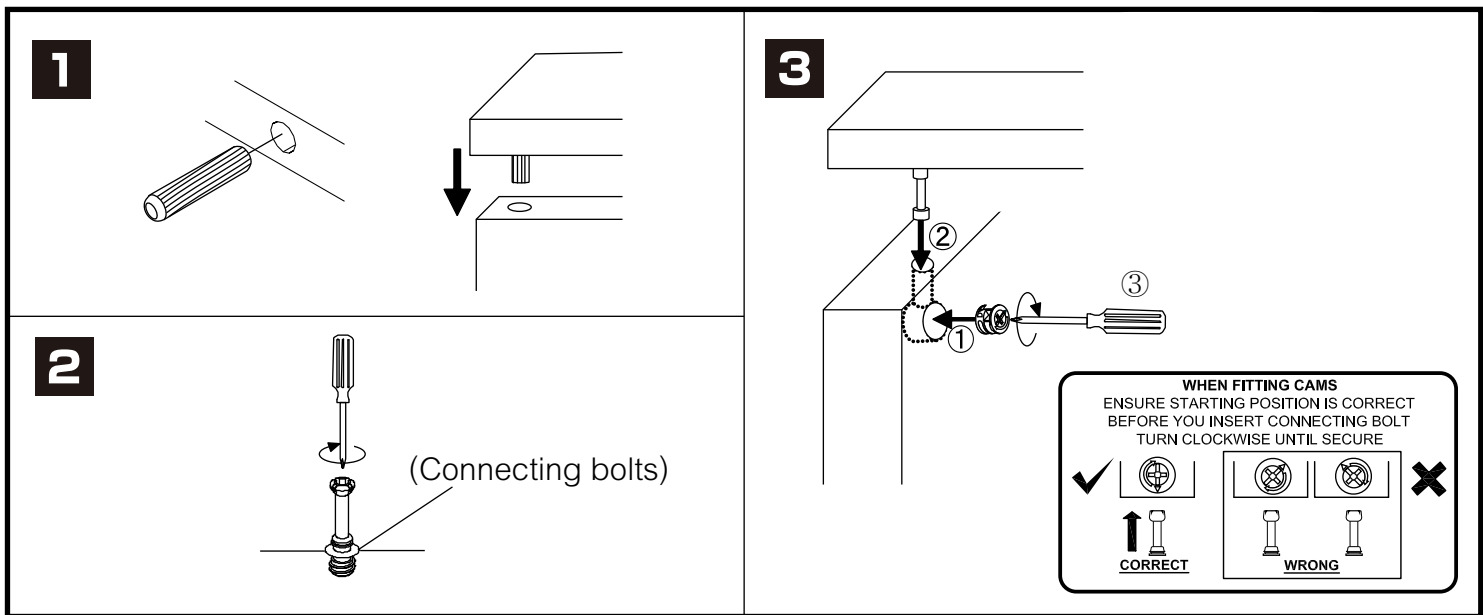


# GRAYSON

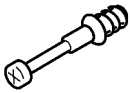
**High Cabinet Glass shelf+Halogen Light/45**



# CONNECT SYSTEM



# HARDWARE

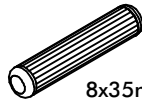


**x14**



#19 mm.

**x12**

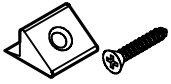


8x35mm.

**x32**



**x3**



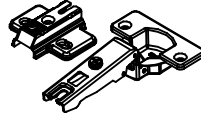
#M3x20(F)

**x4/4**

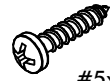


#16 mm.

**x2**



**x5**



#5x3/4"(P)

**x2**

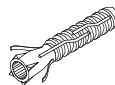


#M4x15

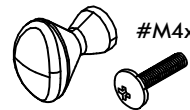
**x6/12**



**x16**



**x2**



#M4x25

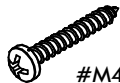
**x2/2**



**x4**

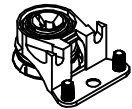


**x 7**

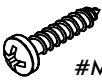


#M4x25(P)

**x4**

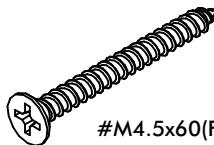


**x4**



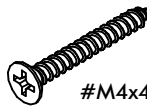
#M4x16(P)

**x11**



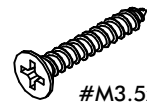
#M4.5x60(F)

**x2**



#M4x40(F)

**x2**



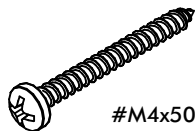
#M3.5x25(F)

**x9**



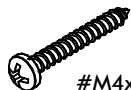
#M4x16(F)

**x32**



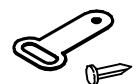
#M4x50(P)

**x4**



#M4x30(P)

**x 18**

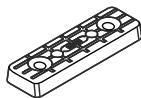


**x8/8**

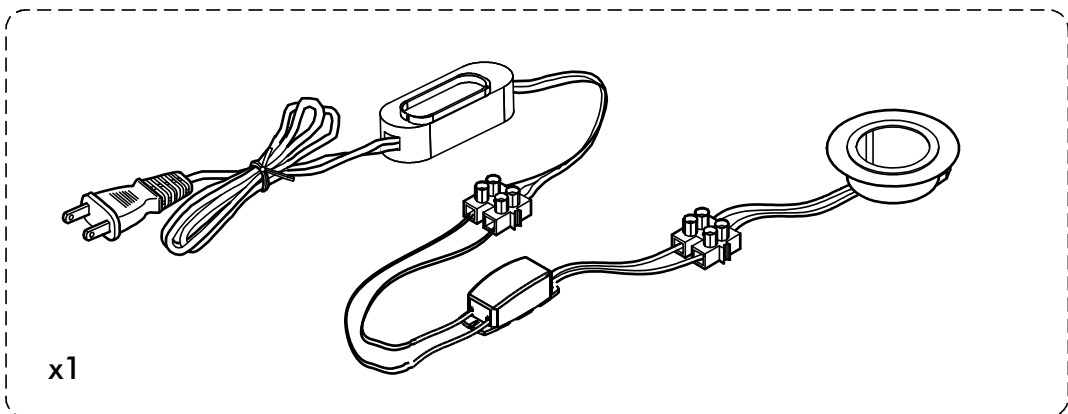


#5x1/2"(P)

**x2**

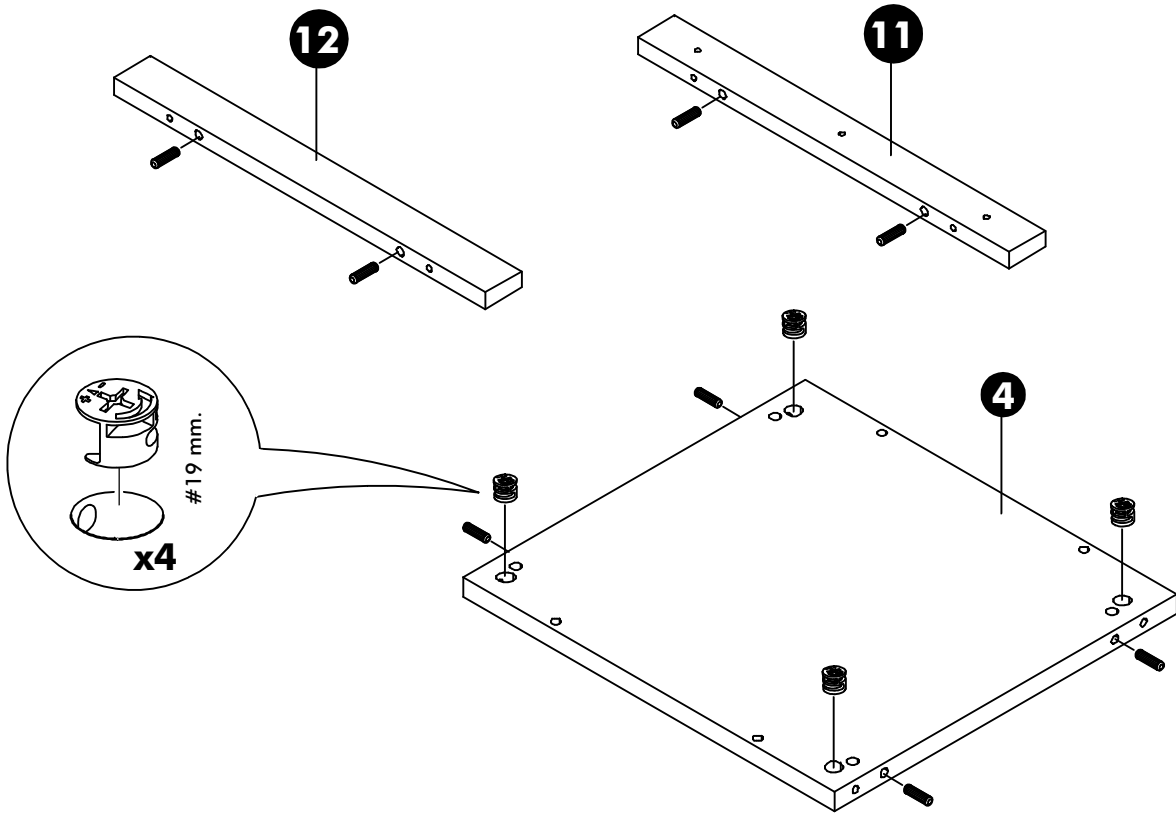


**x4**

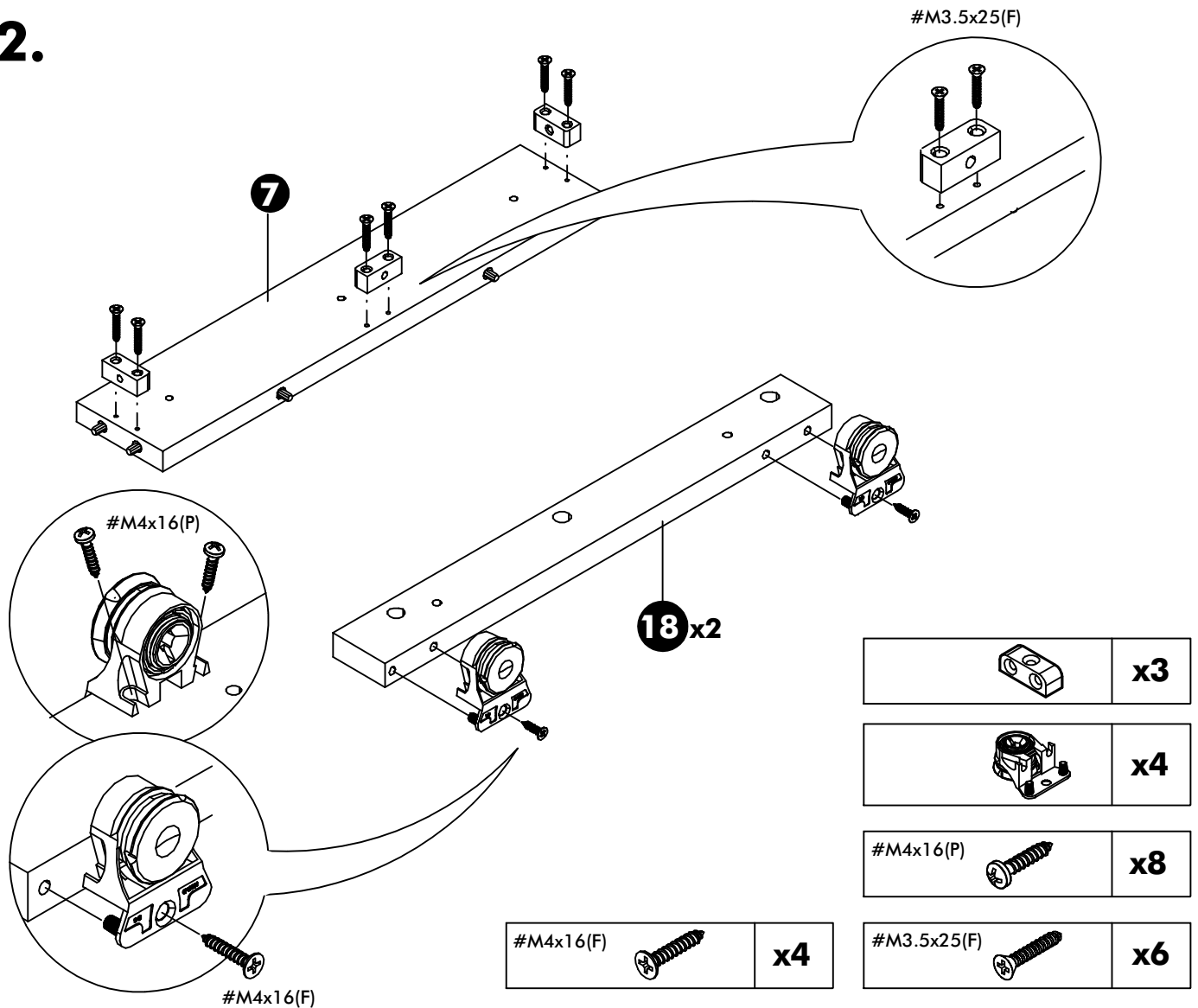


**x1**

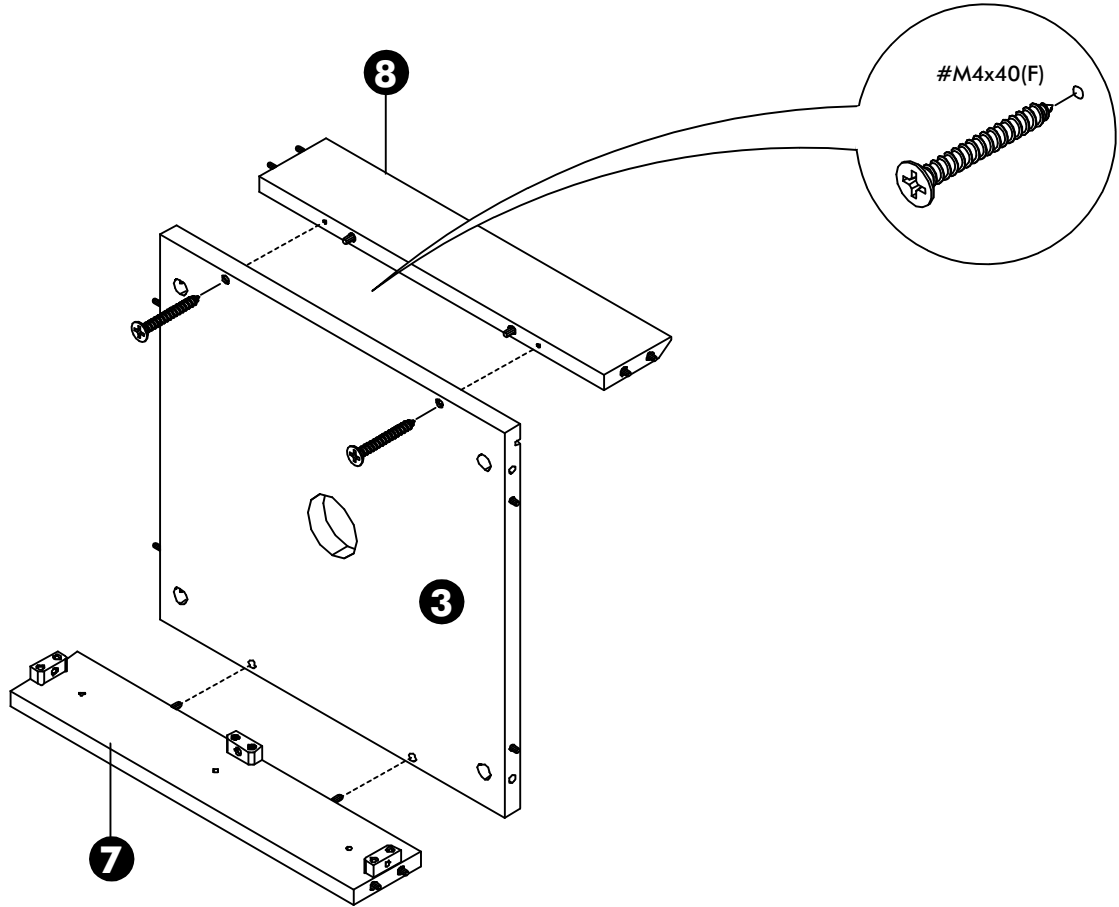
1.




2.

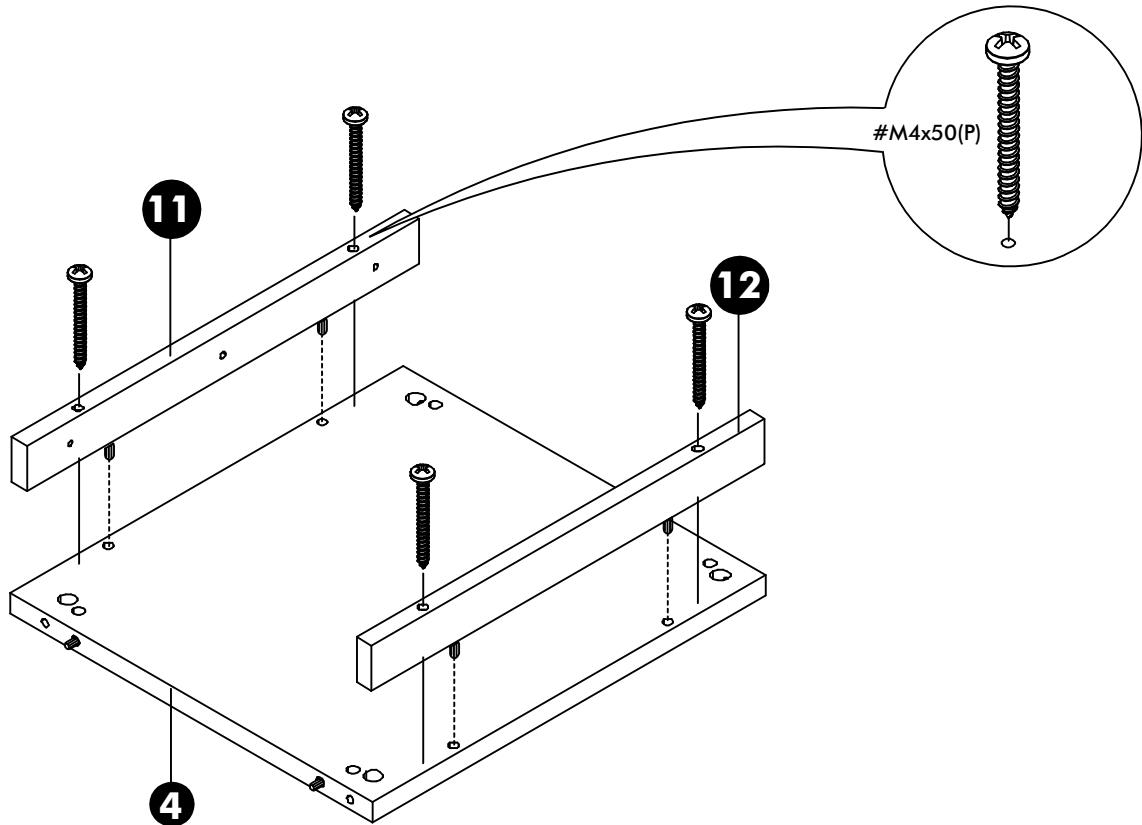



3.



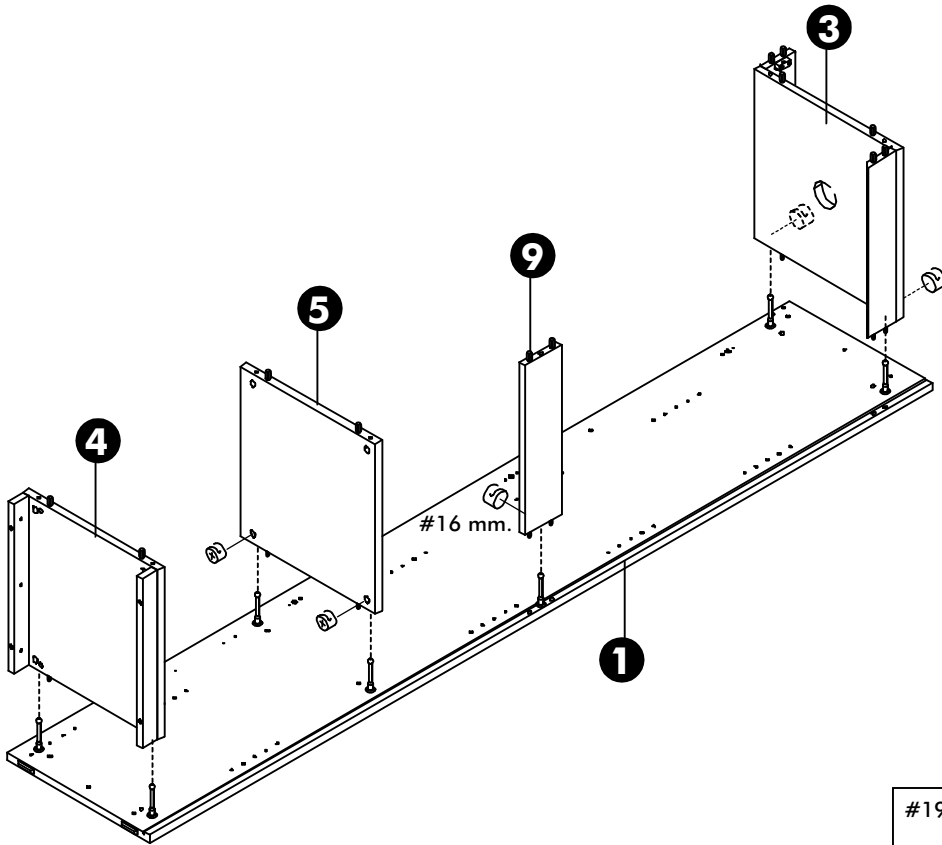
#M4x40(F)		x2
-----------	---	----

4.



#M4x50(P)		x4
-----------	---	----

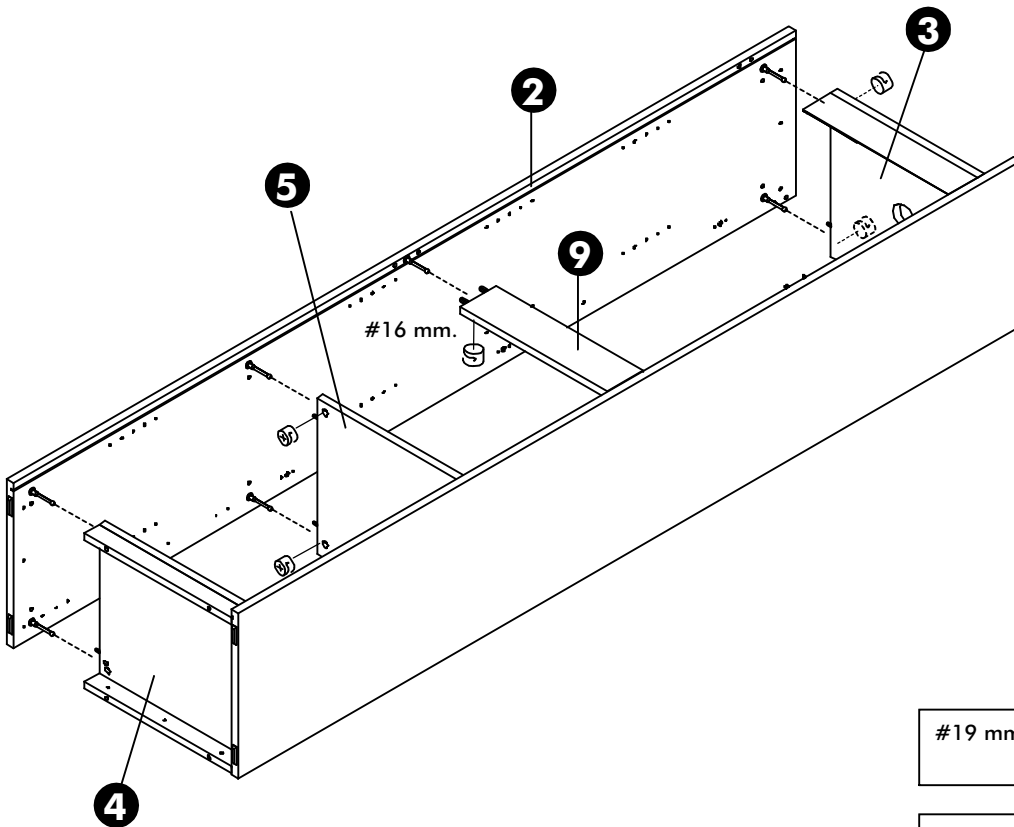
5.



#19 mm.		<b>x4</b>
---------	--	-----------

#16 mm.		<b>x1</b>
---------	---	-----------

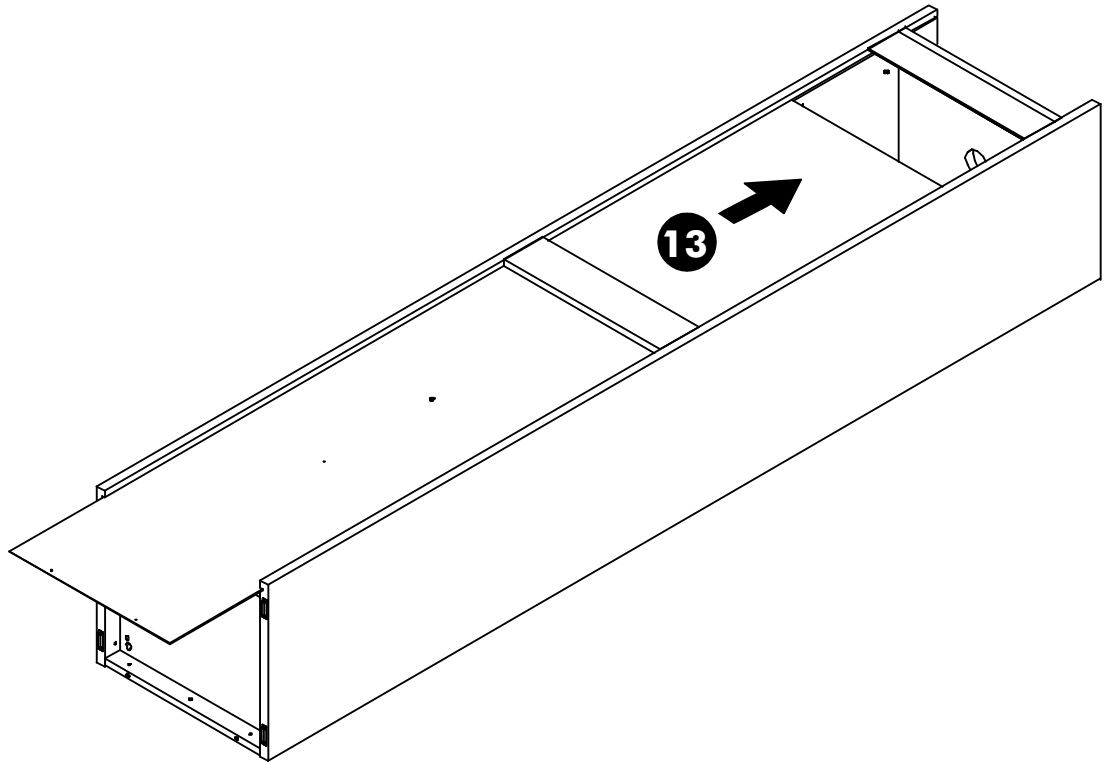
6.



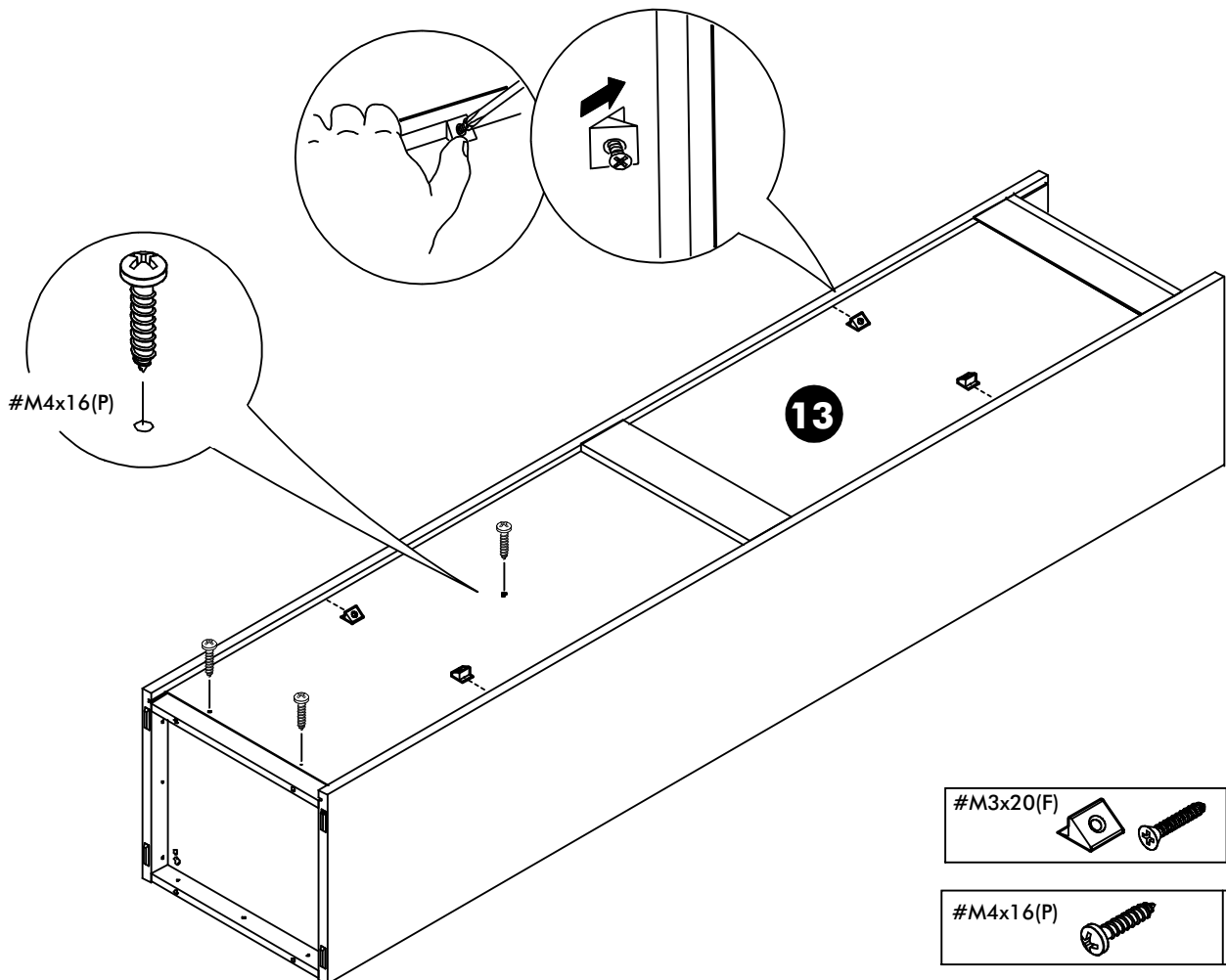
#19 mm.		<b>x4</b>
---------	---	-----------

#16 mm.		<b>x1</b>
---------	---	-----------

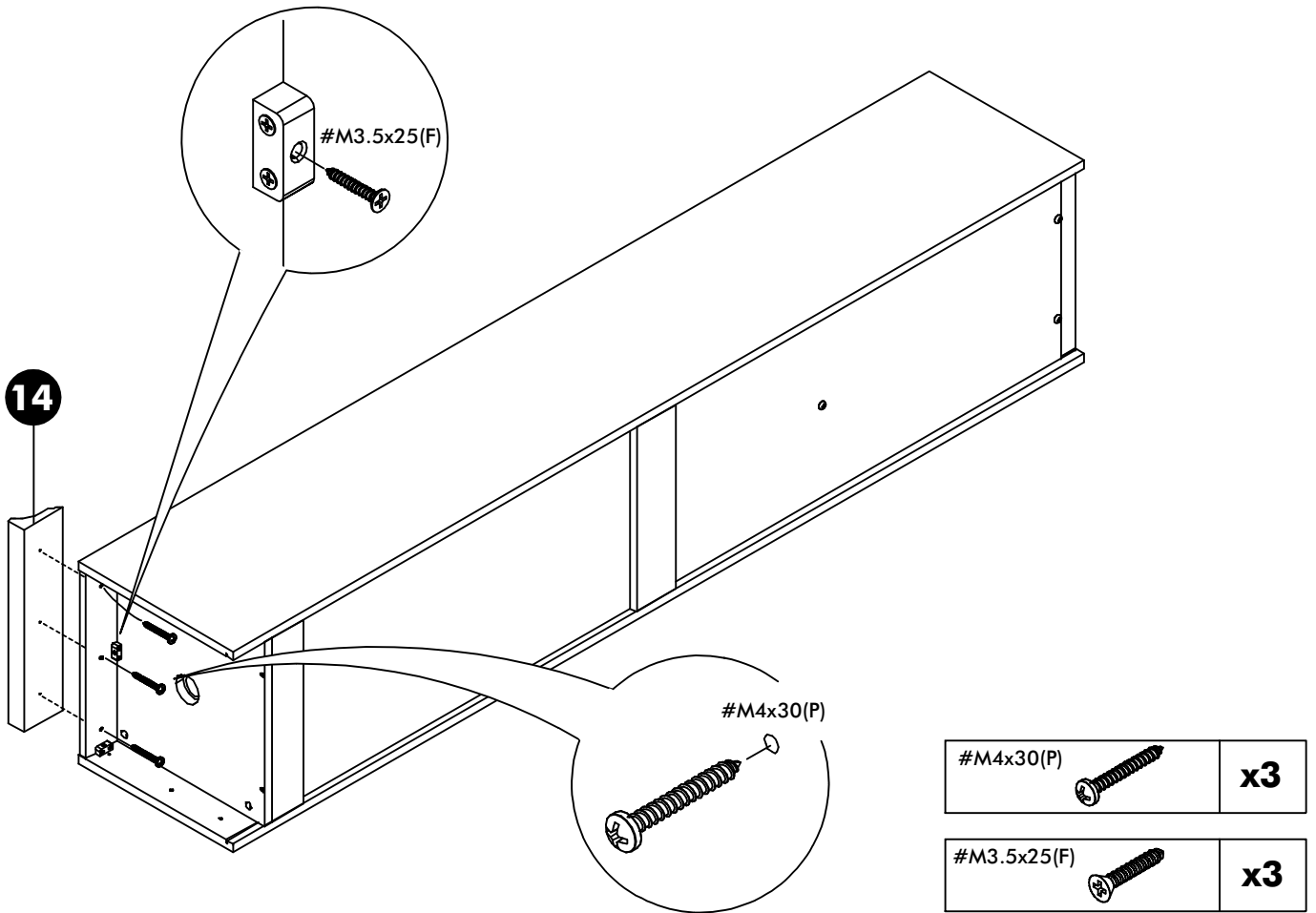
7.



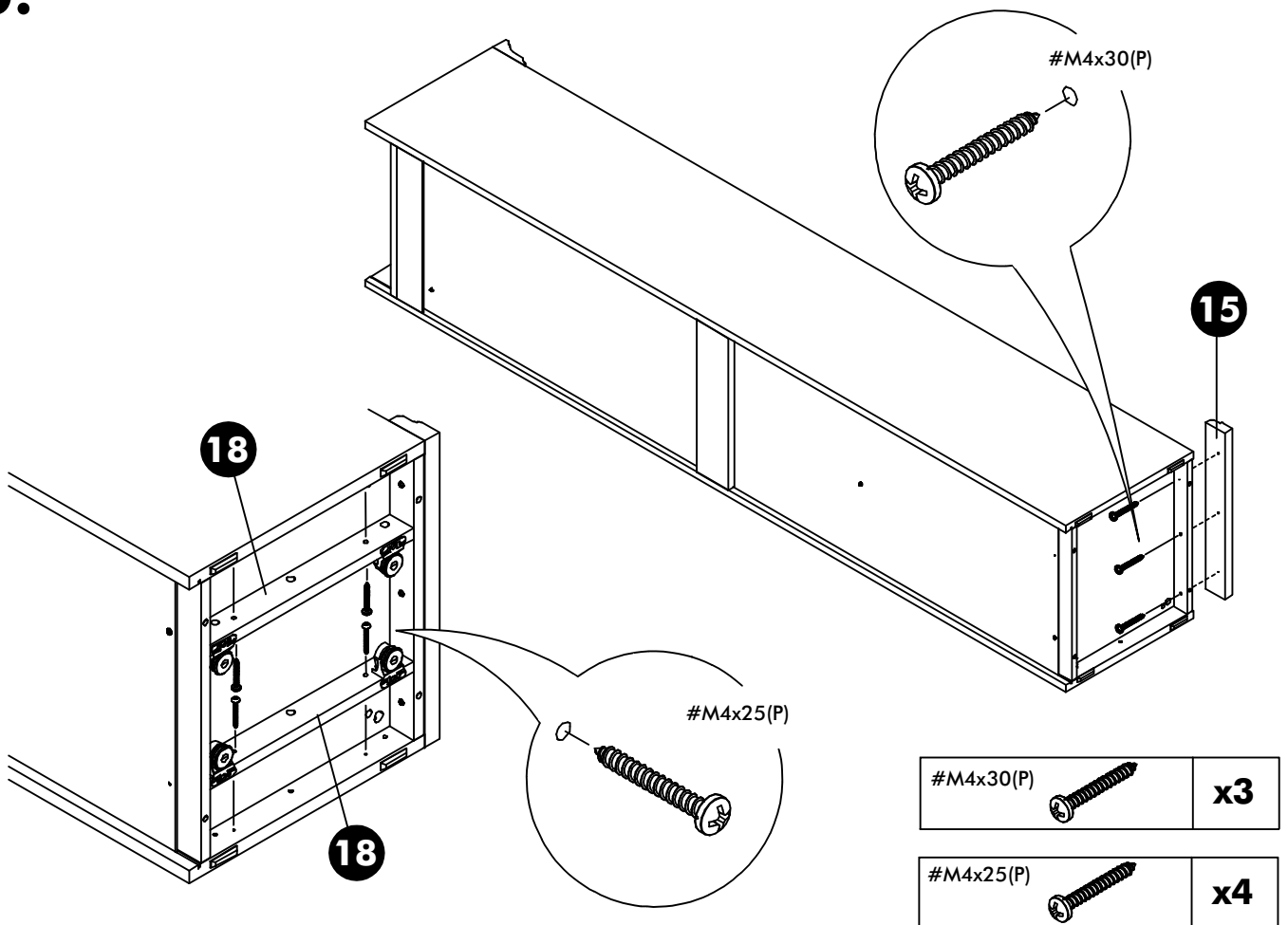
8.



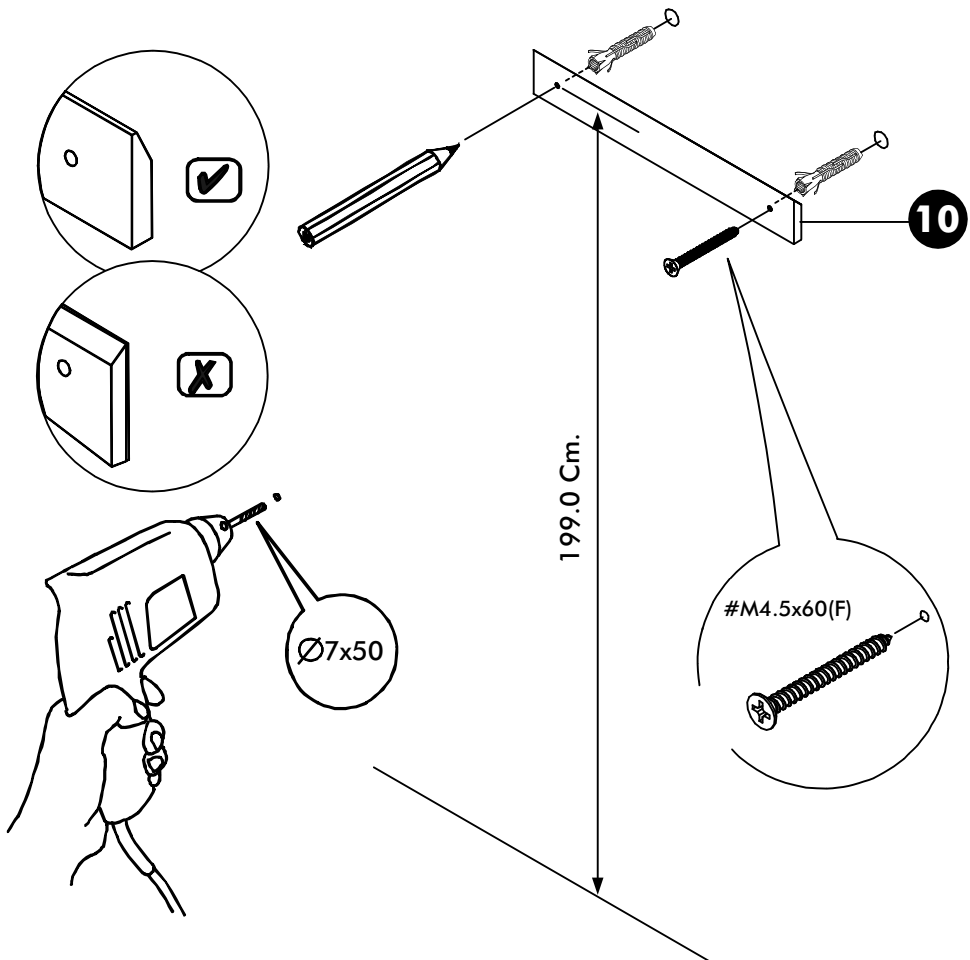
9.

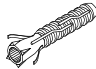



10.



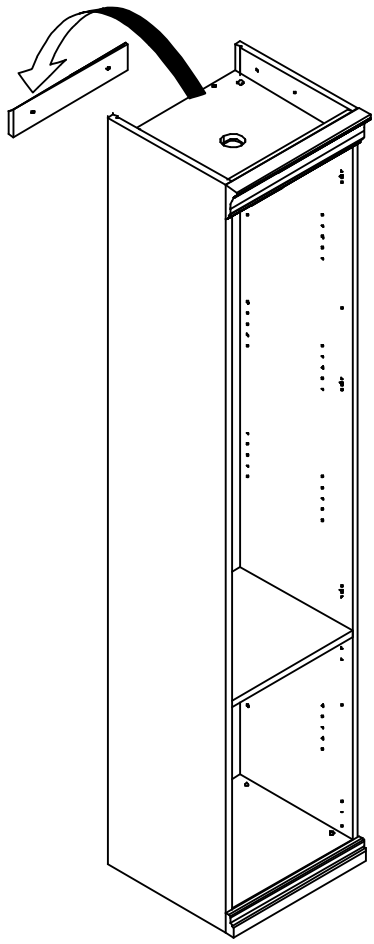
# 11.



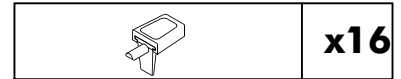
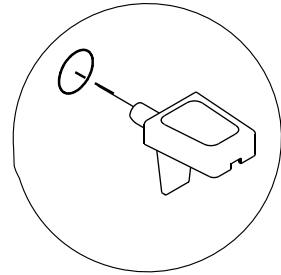
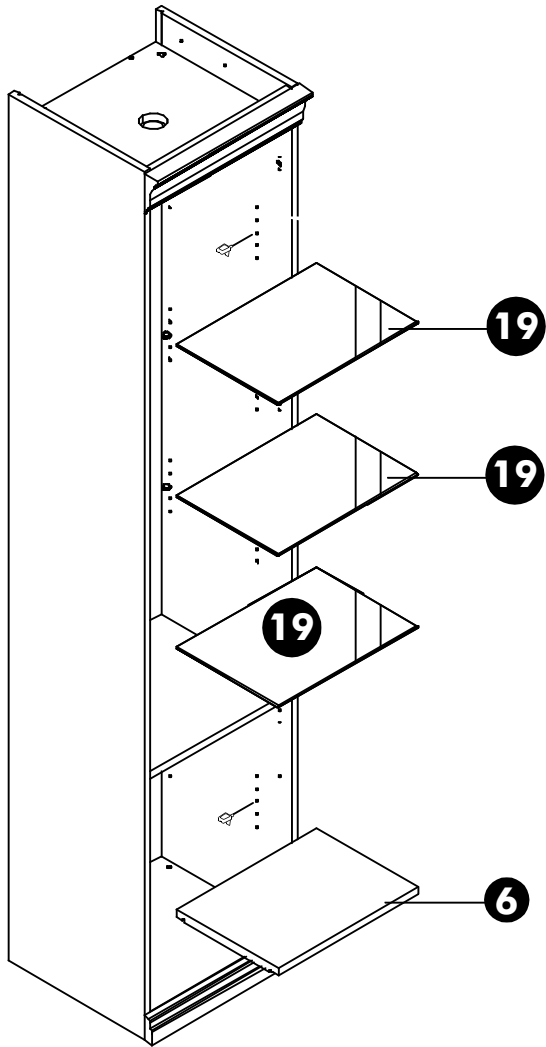
	<b>x2</b>
---	-----------

#M4.5x60(F) 	<b>x2</b>
---	-----------

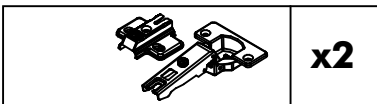
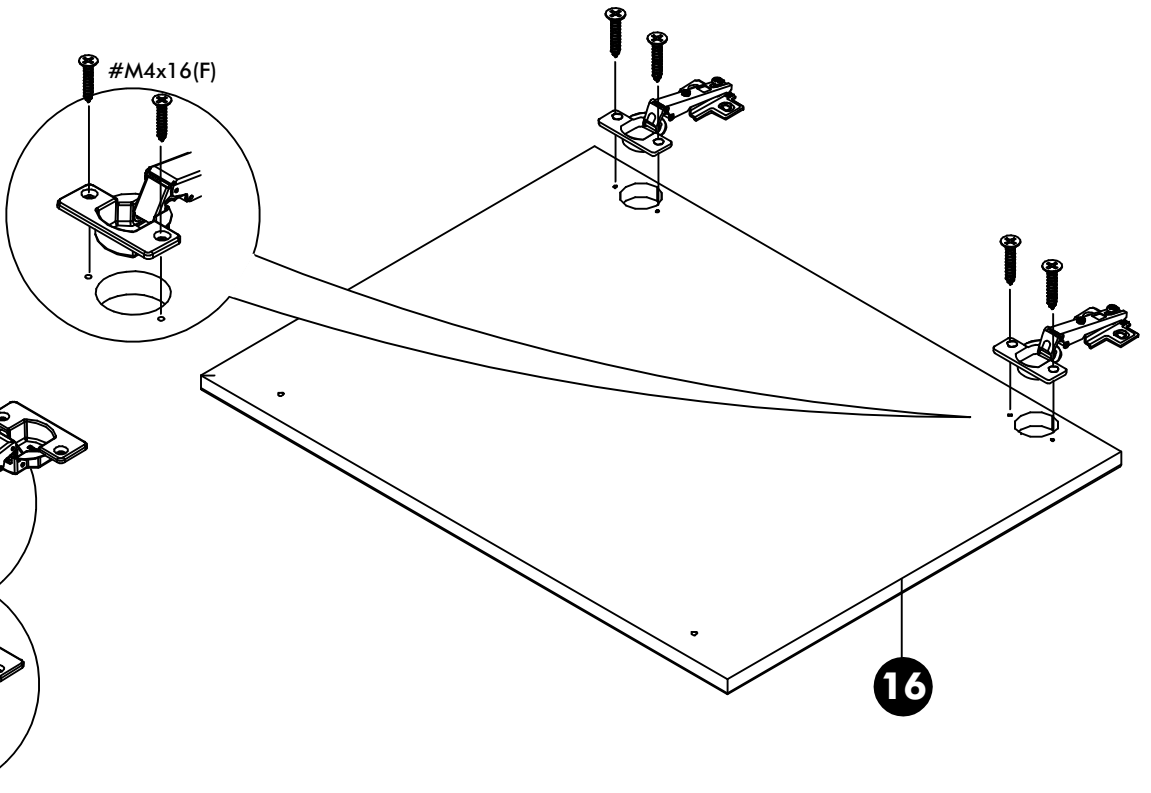
# 12.



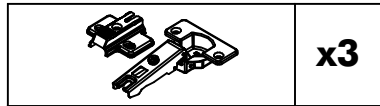
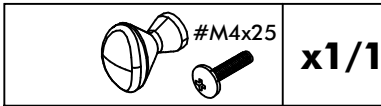
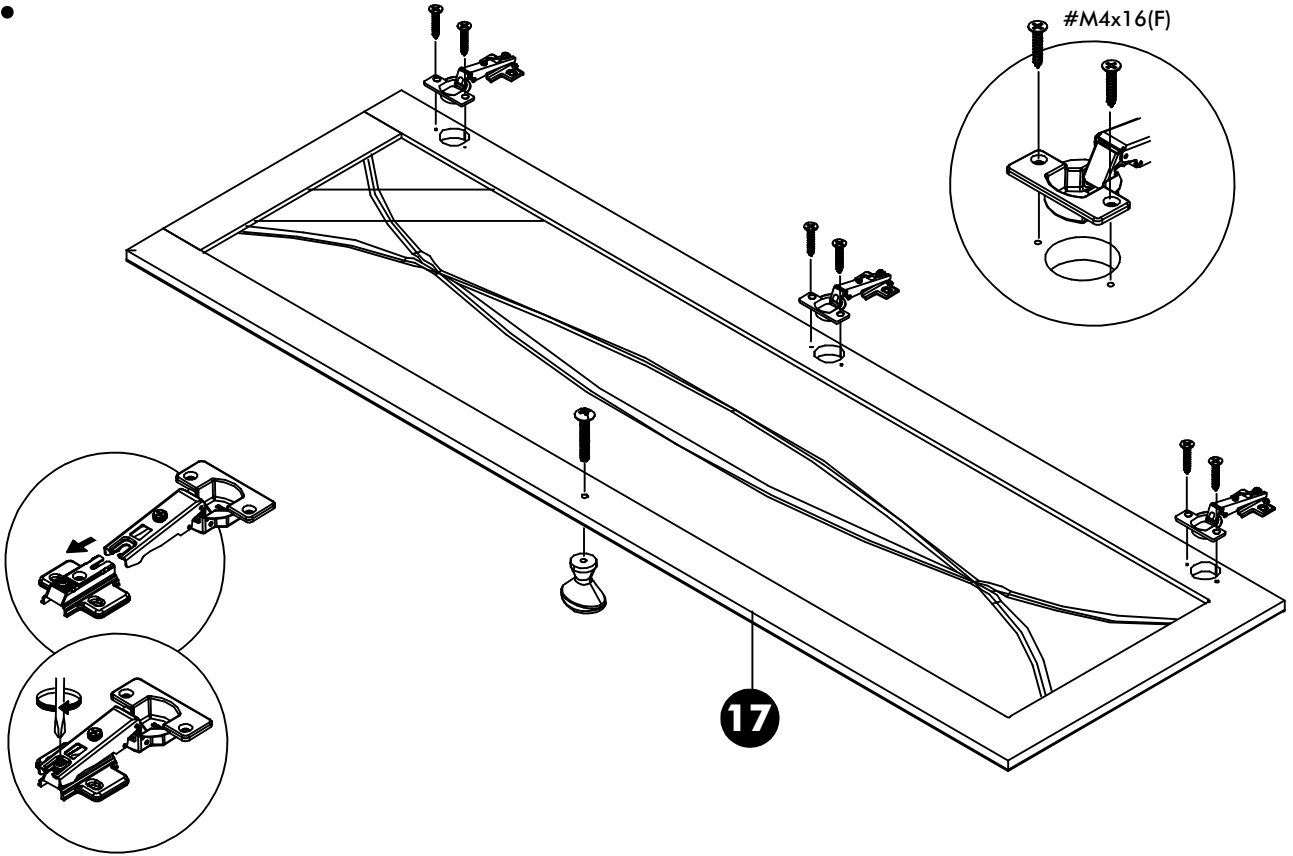
**13.**



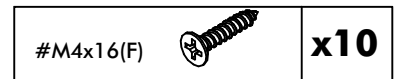
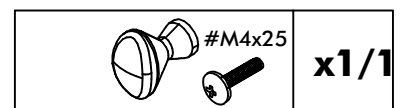
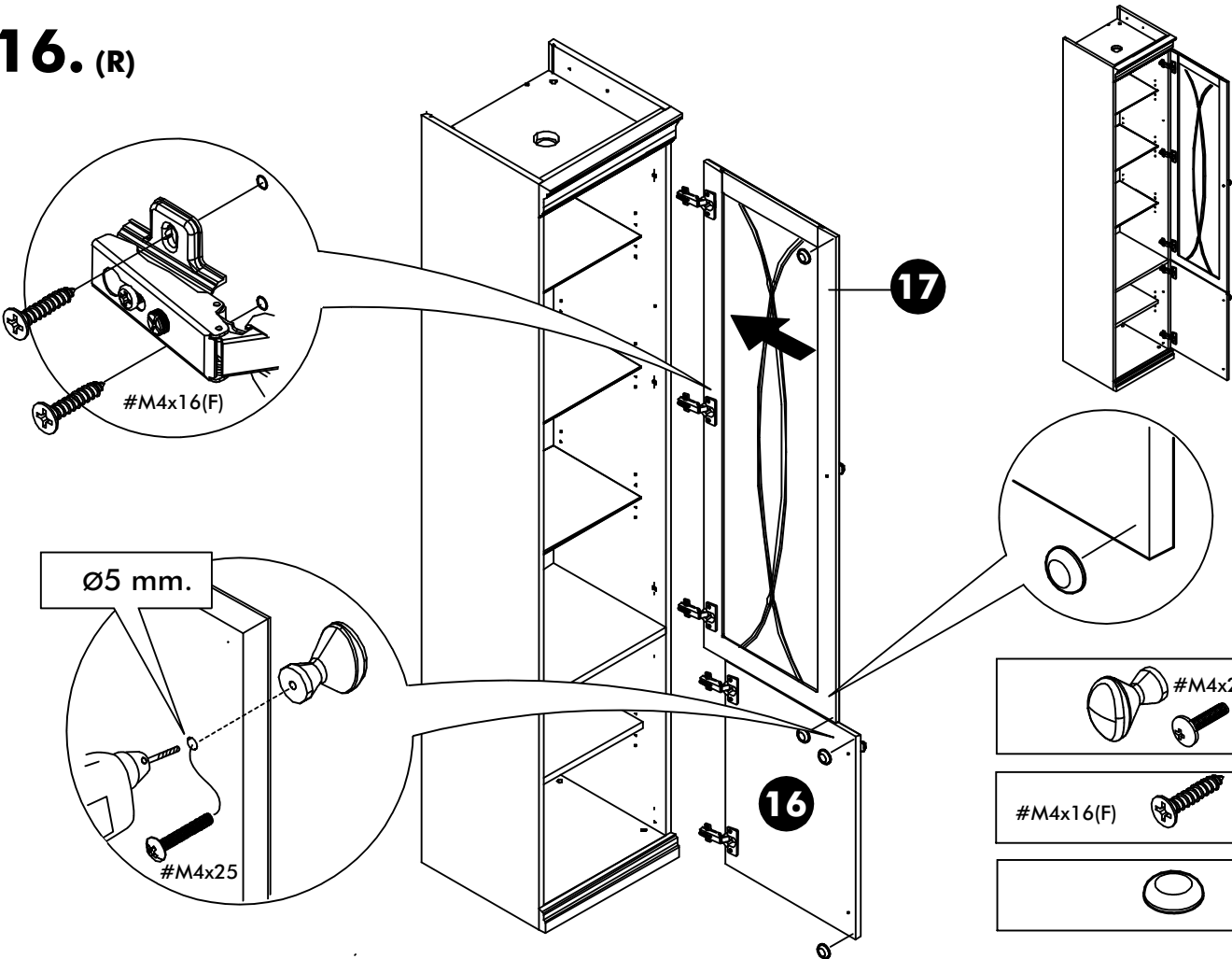
**14.**



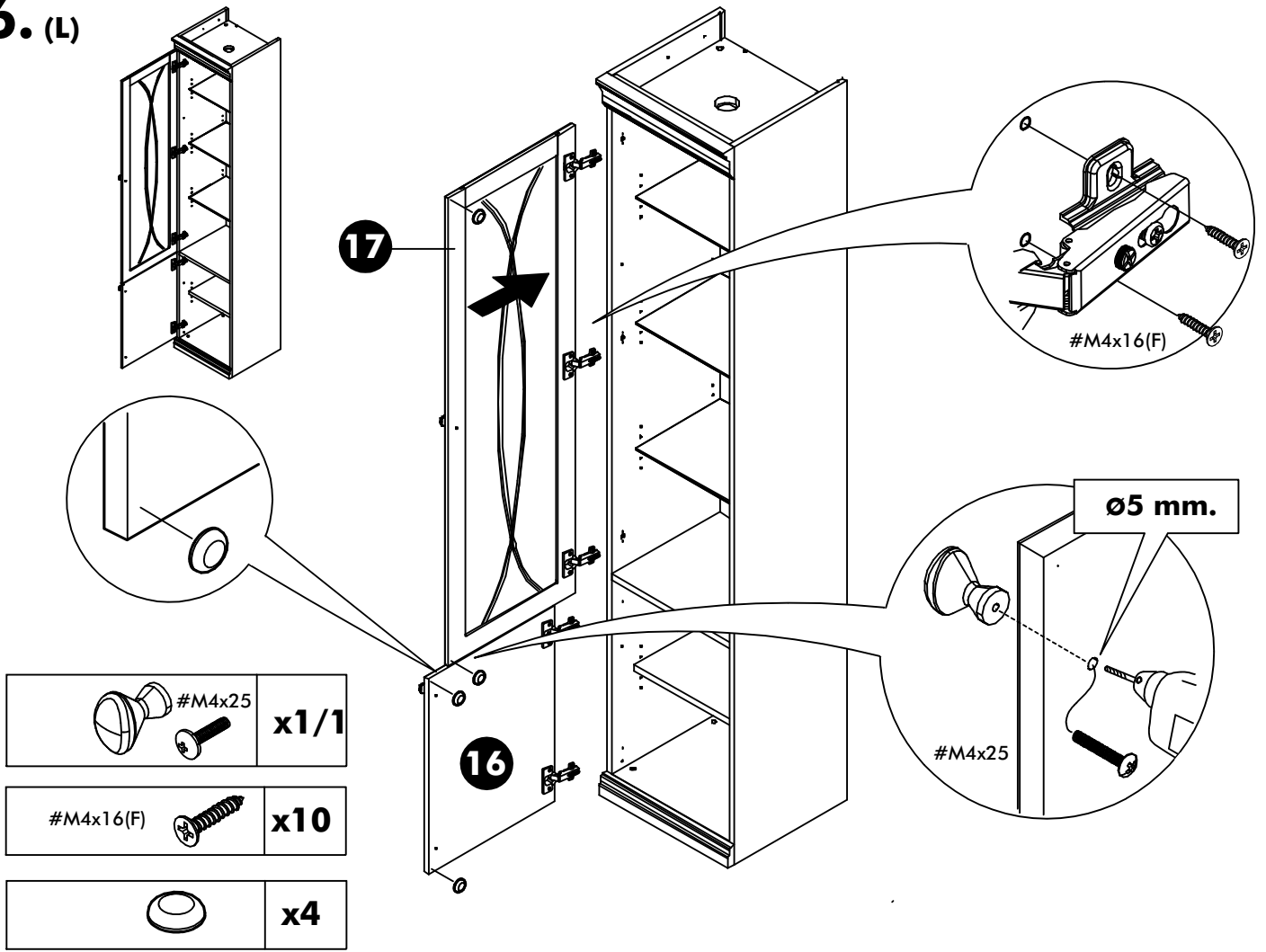
# 15.



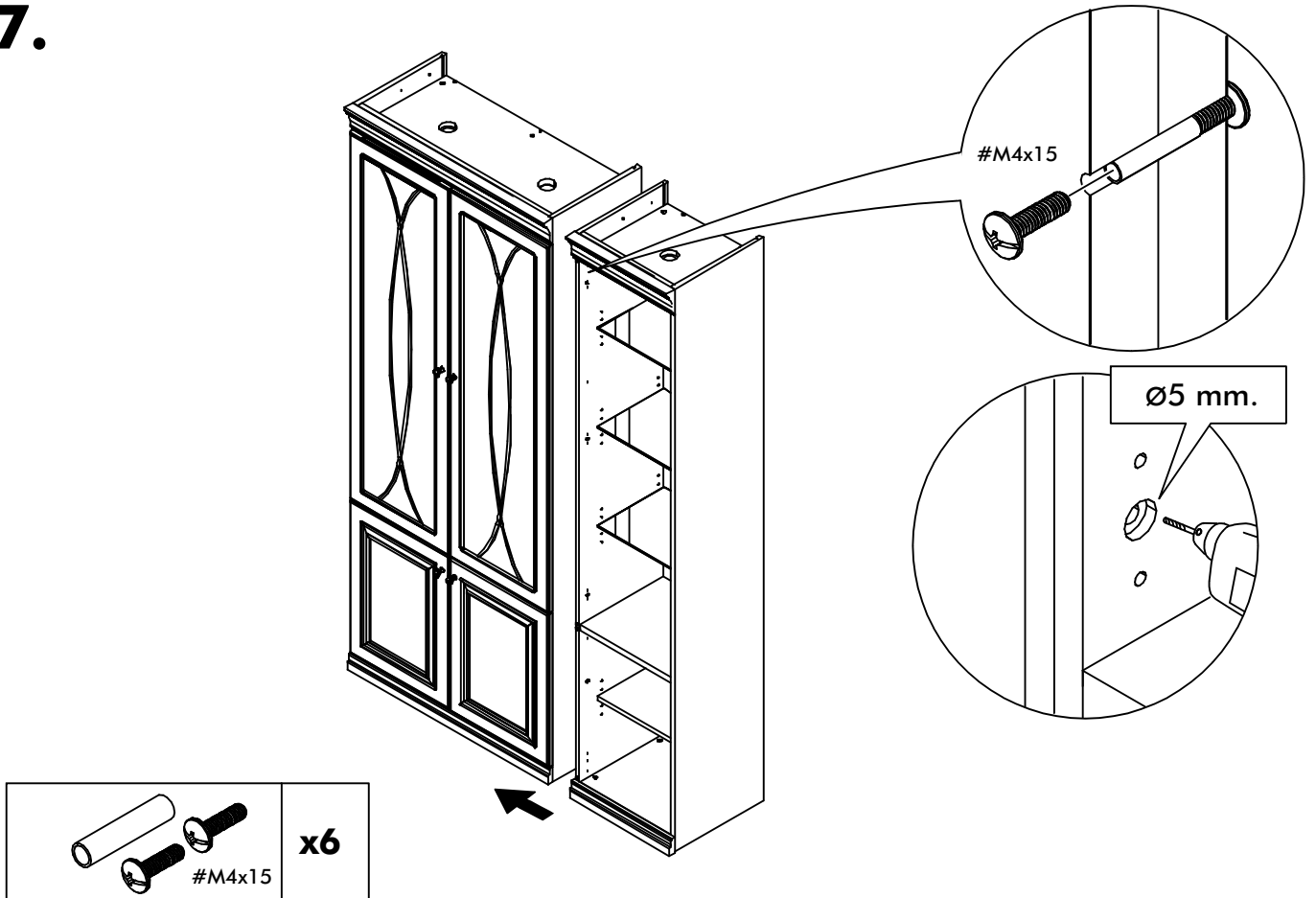
# 16. (R)



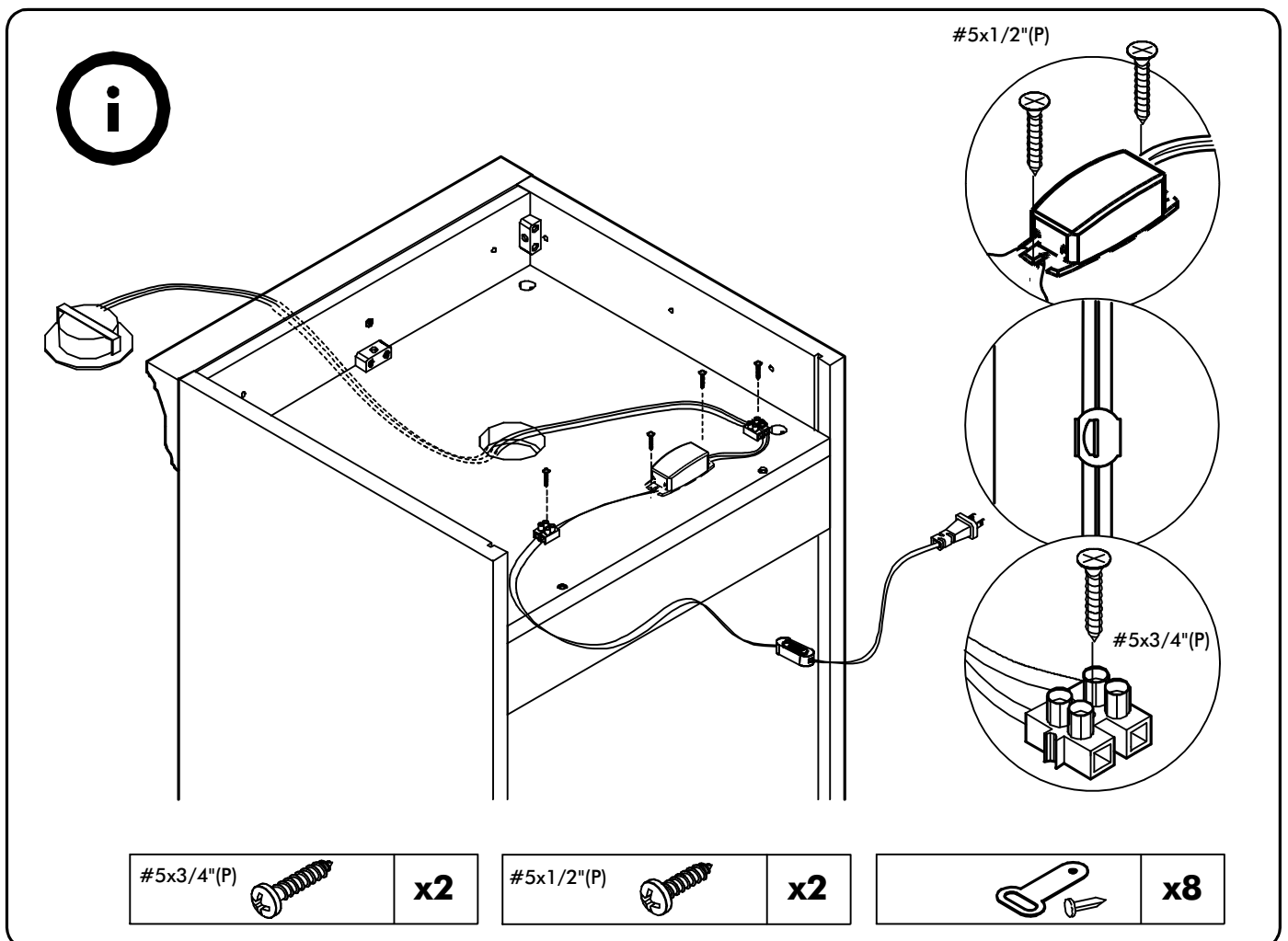
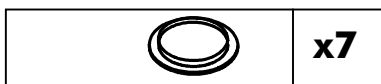
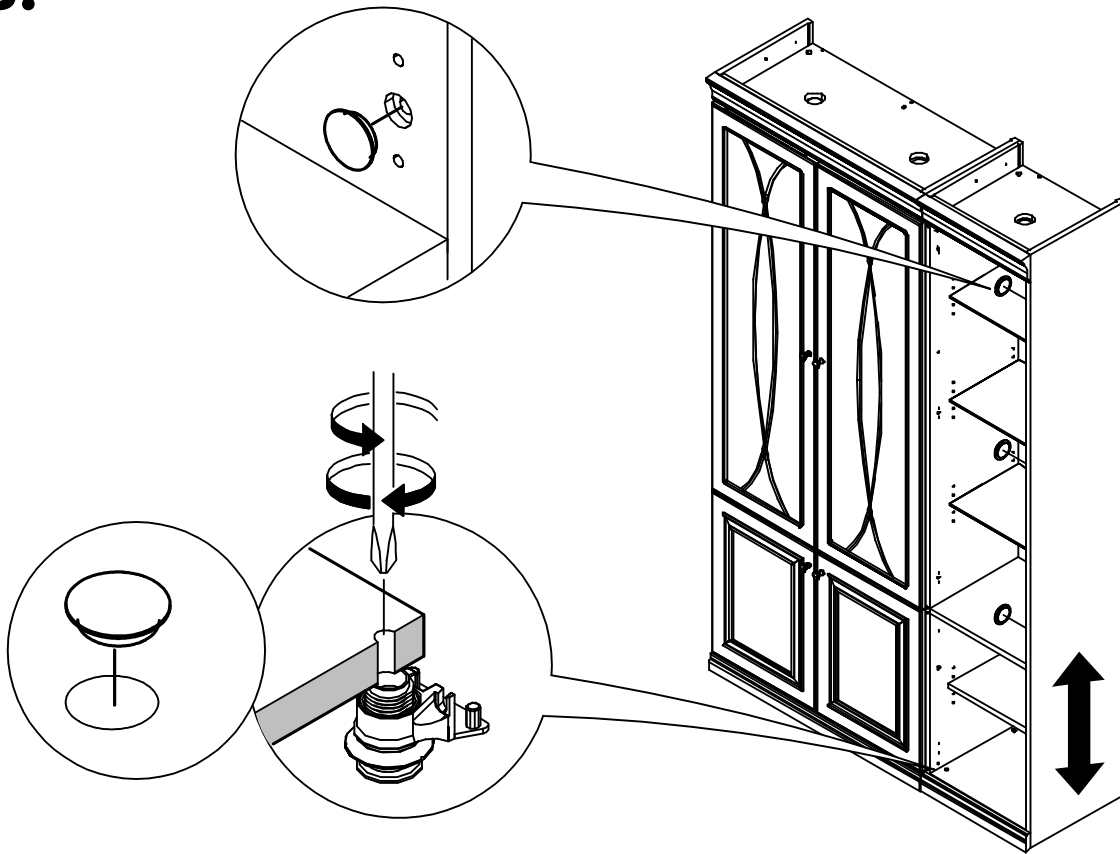
# 16. (L)

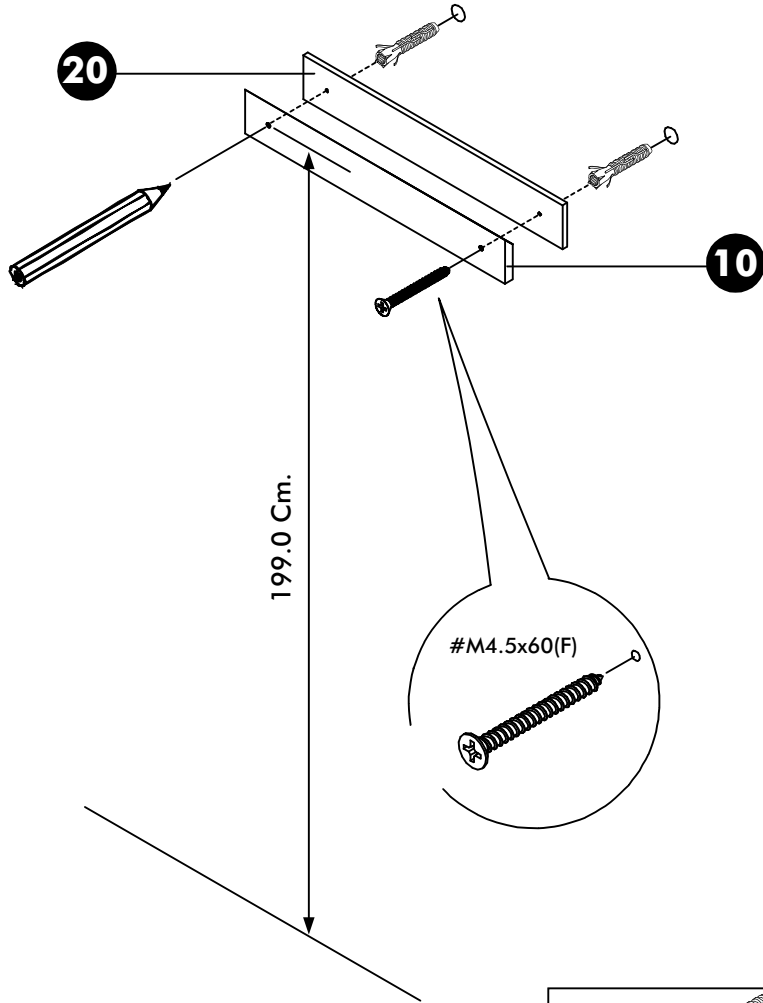
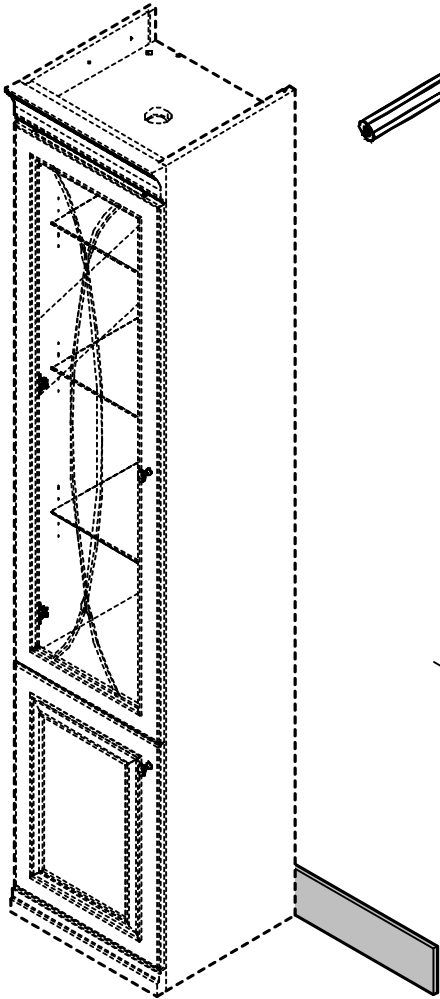


# 17.

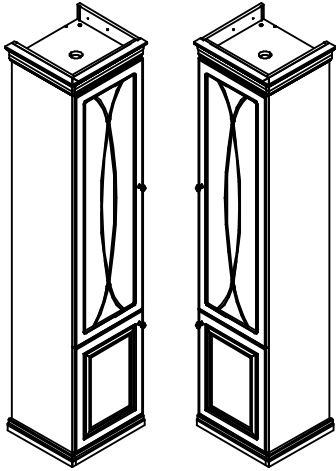


18.



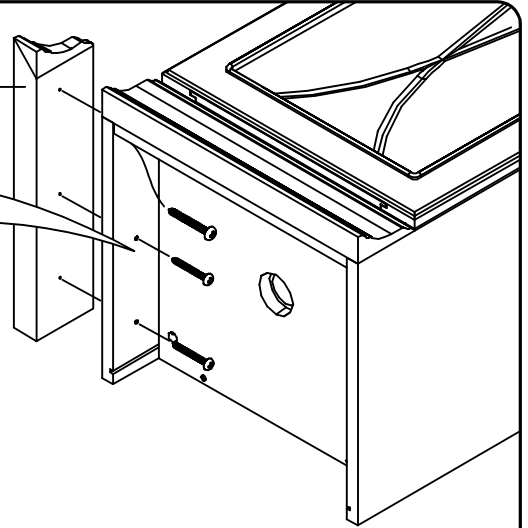
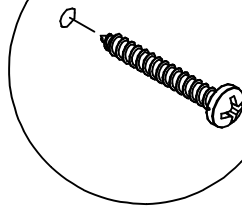


	<b>x2</b>
	<b>x2</b>

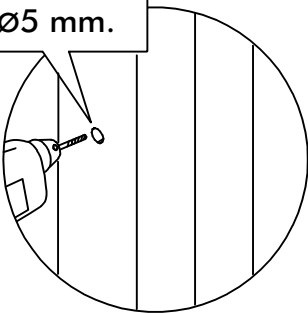


#M4x30(P)

2



Ø5 mm.

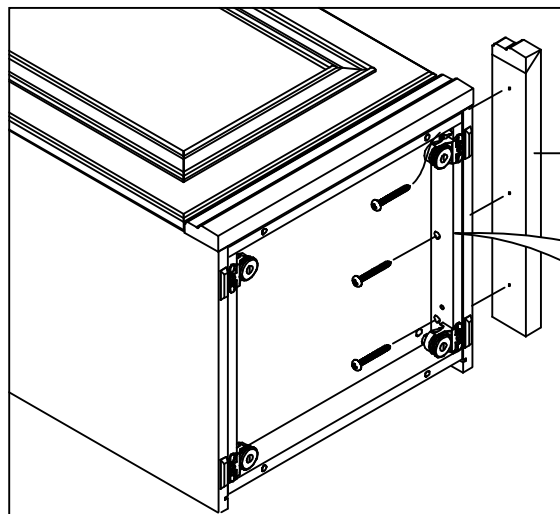


#M4x30(P)



x6

4



#M4x30(P)

