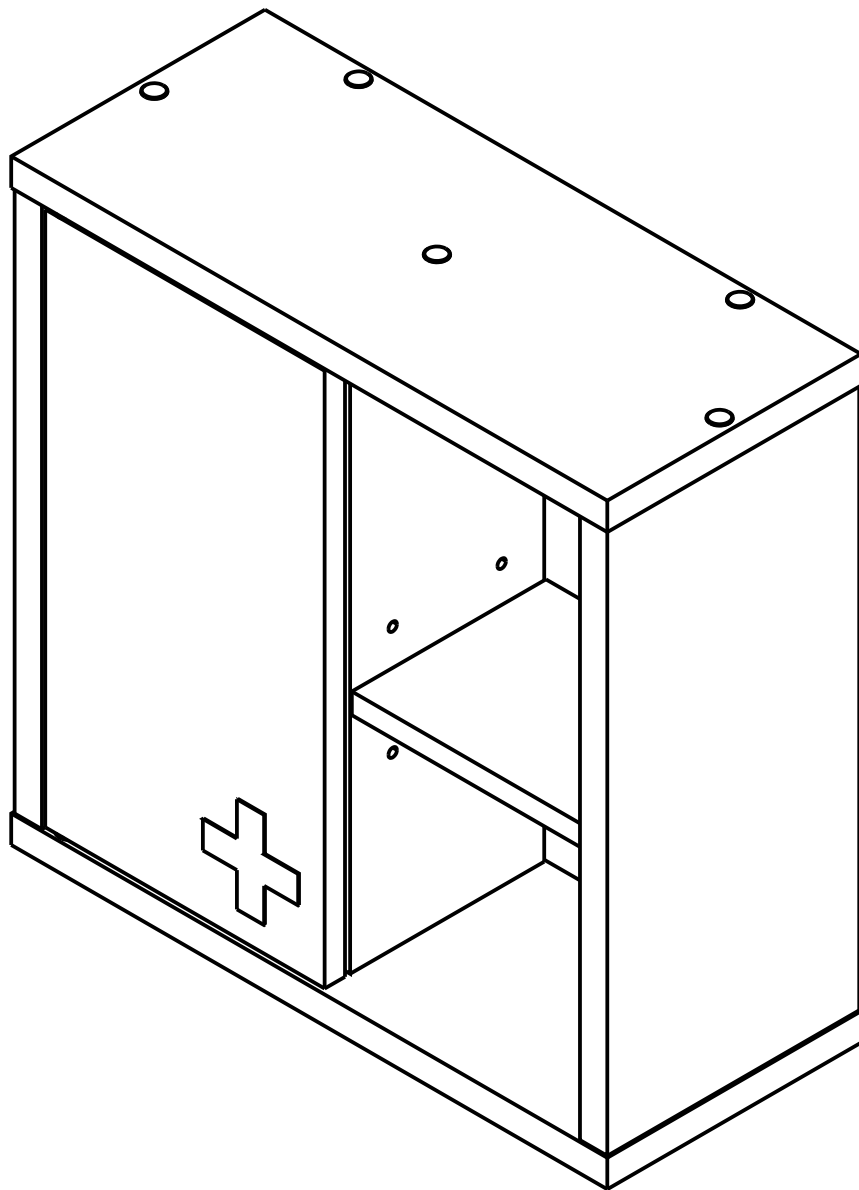
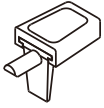


MEDICINE

Medicine Cupboard



HARDWARE

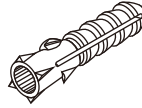


X 4



M 7x1-1/4" (P)

X 2

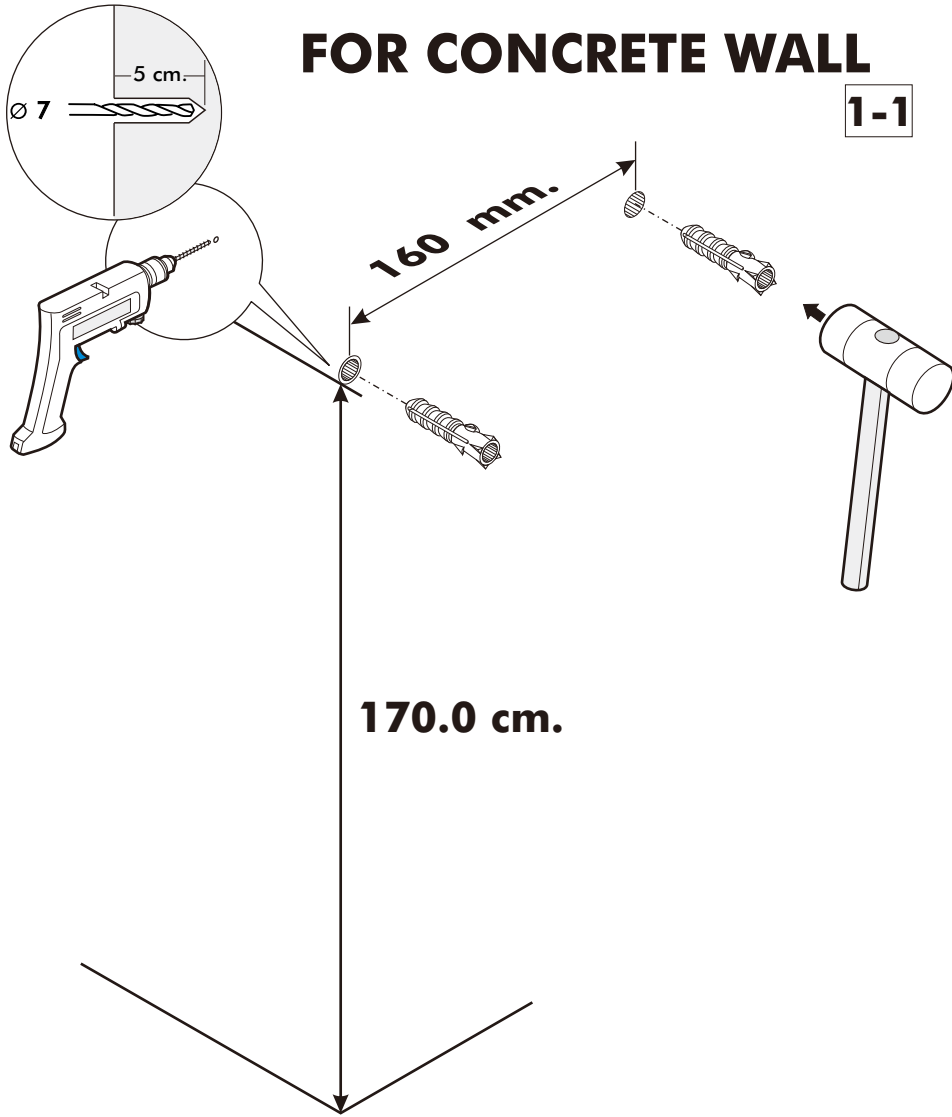


X 2

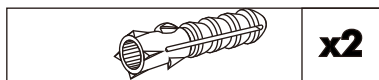
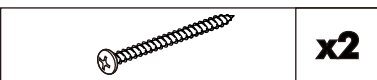
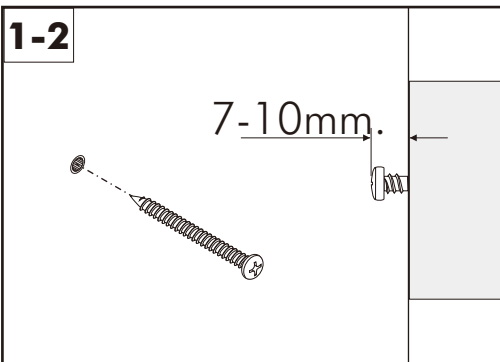
1.

FOR CONCRETE WALL

1-1



1-2



2.

