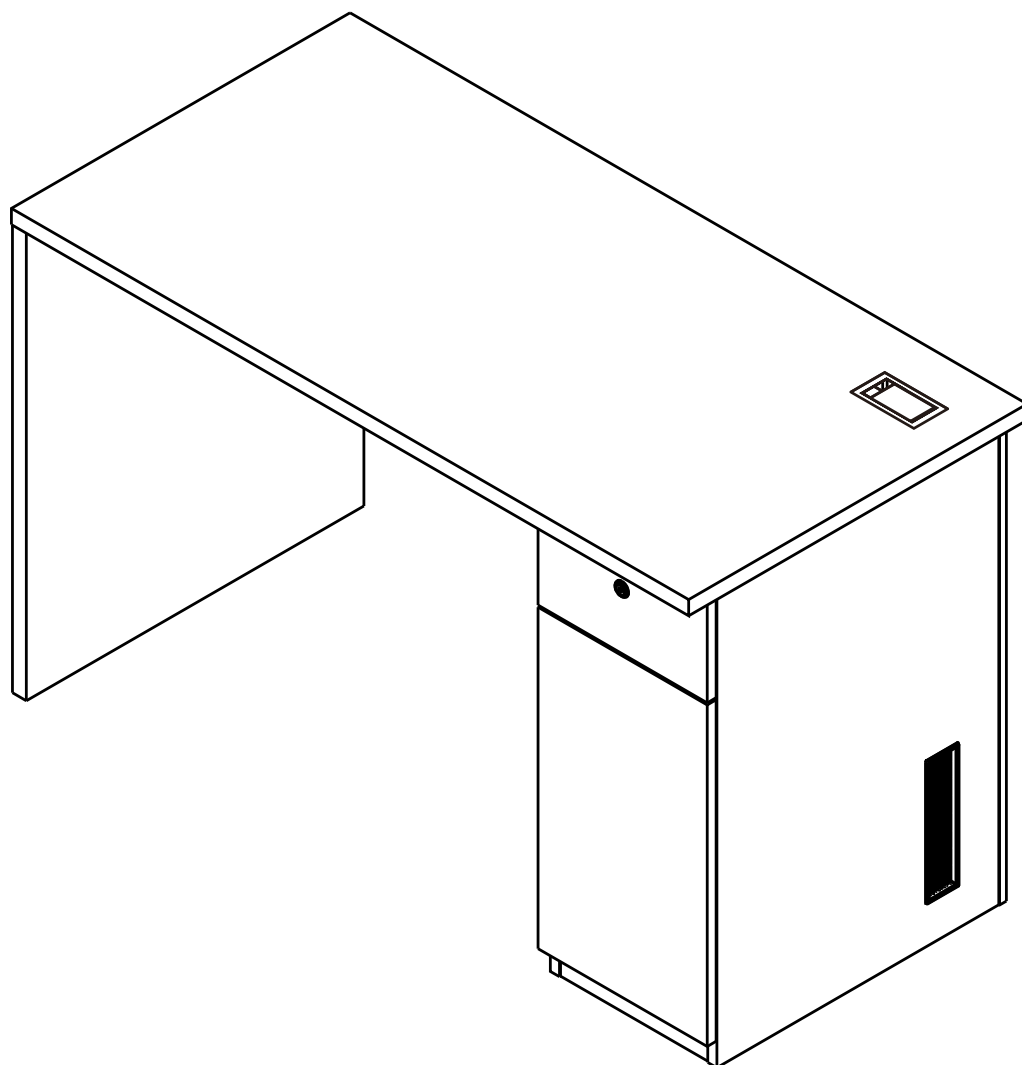
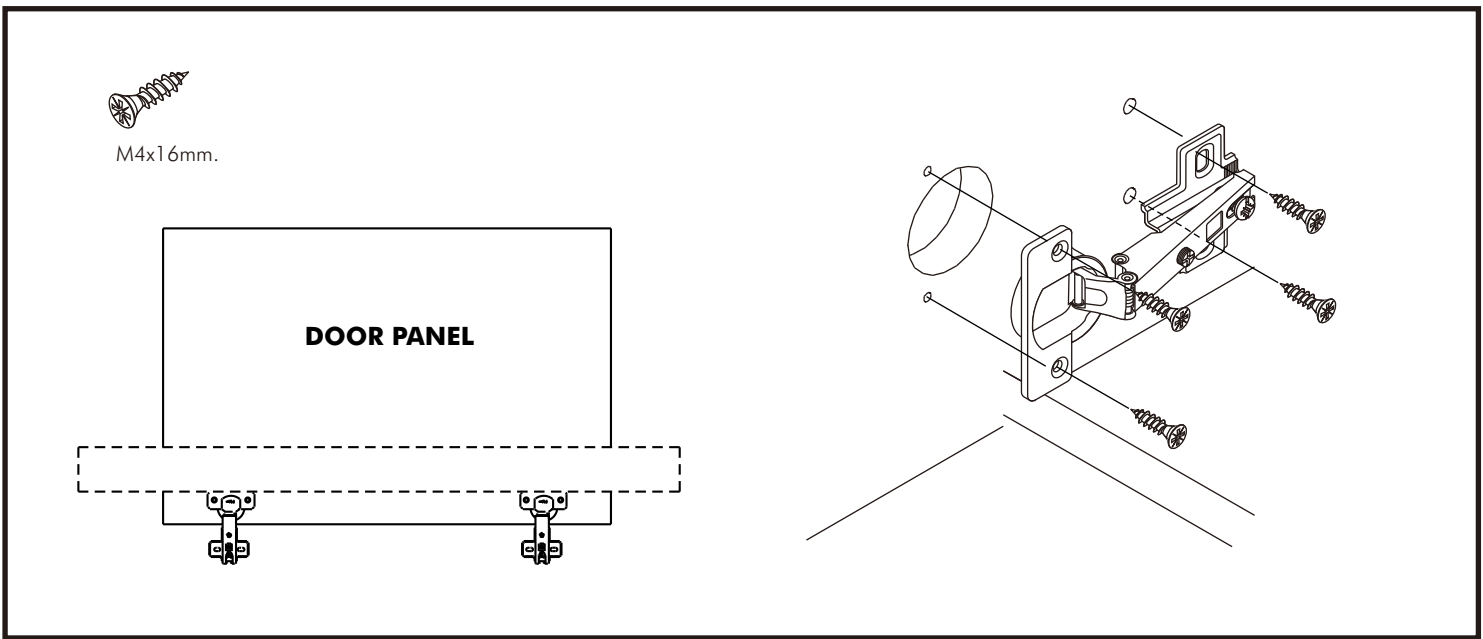
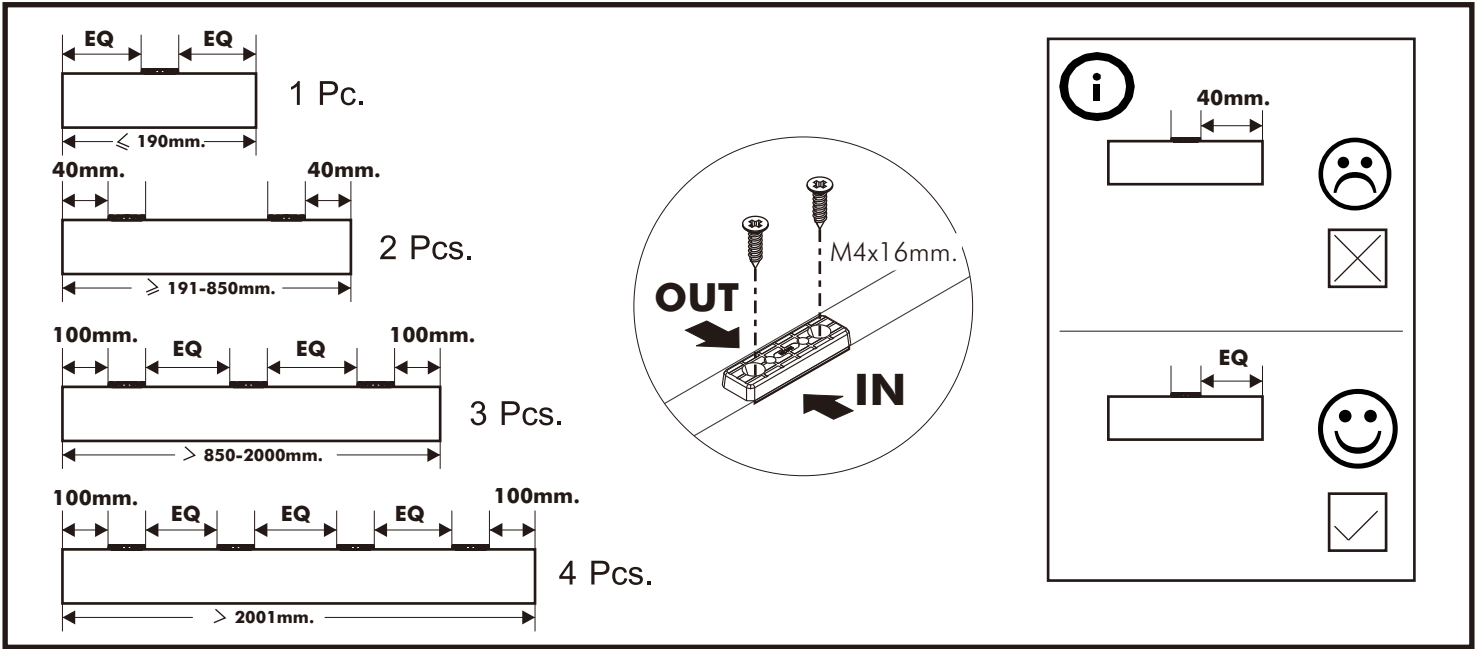
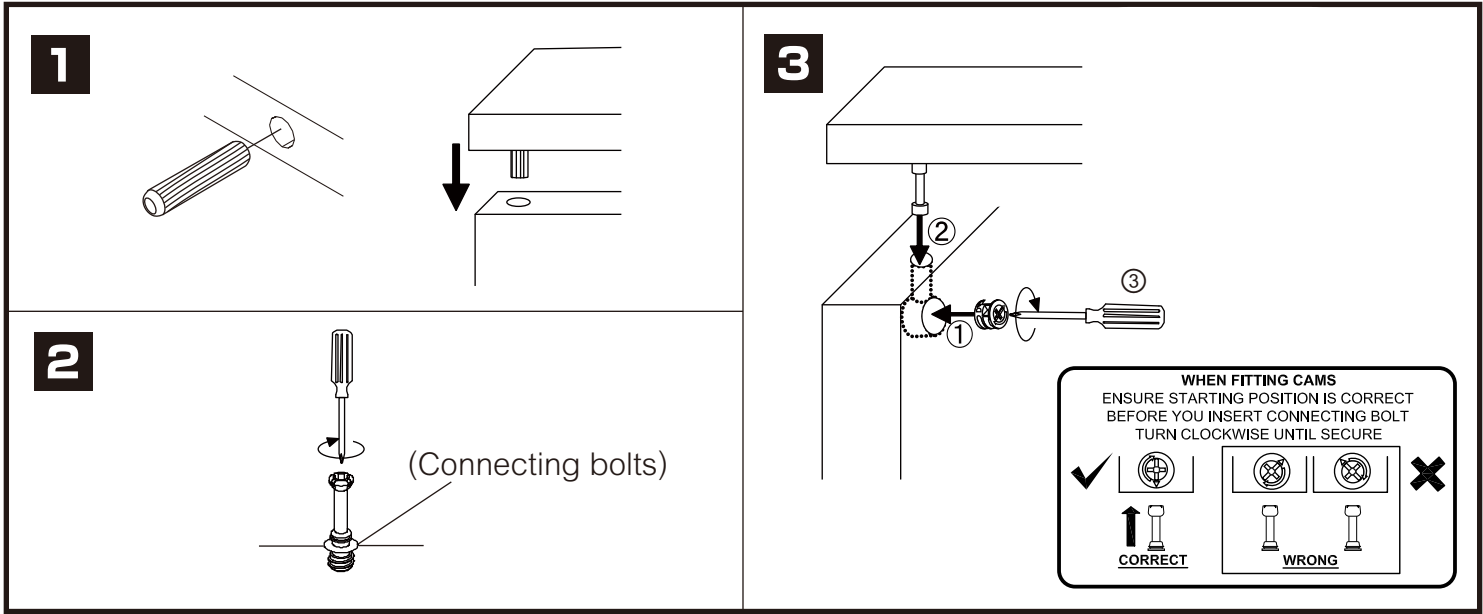


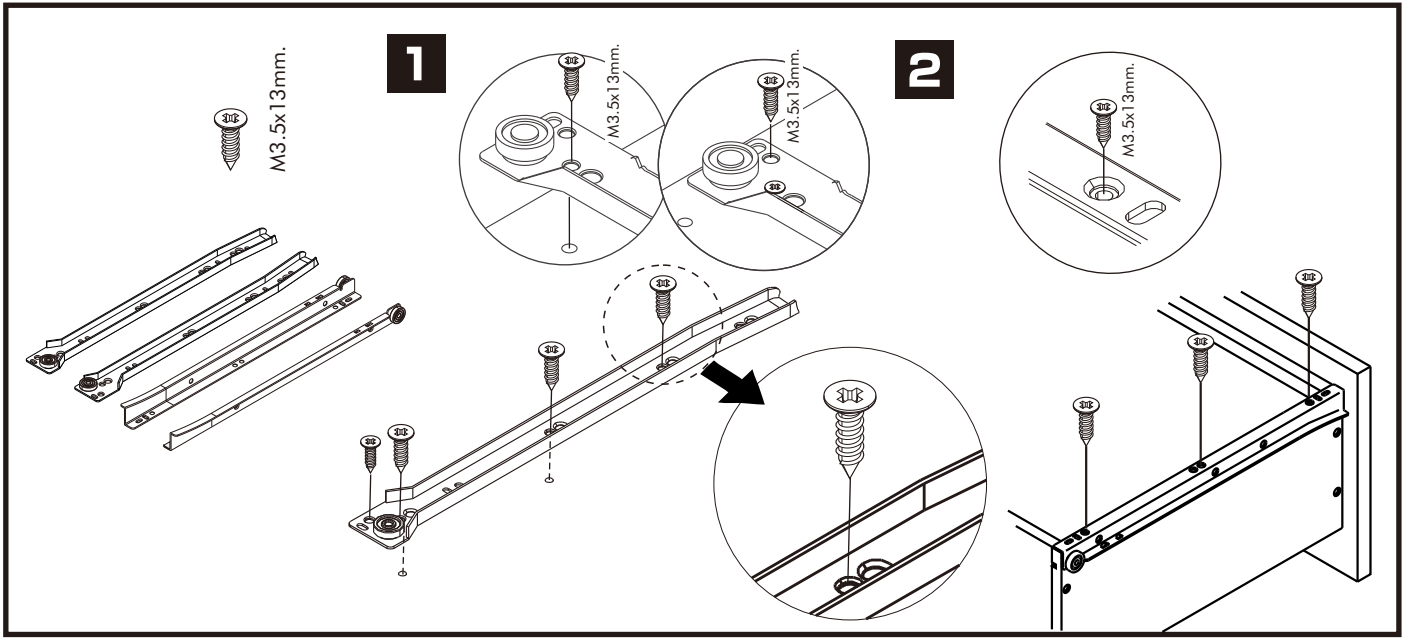
# STYLO

**Working table 120 cm.**



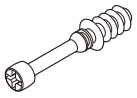
# CONNECT SYSTEM





# HARDWARE

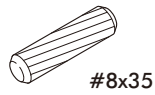
## -BODY SET



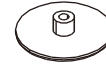
**x 23**



**x 23**



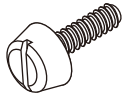
**x 24**



**x 6**



**x 1**



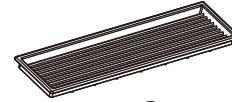
**x 6**



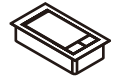
**x 4**



**x 3**



**x 2**



**x 1**



**x 2**



**x 2**



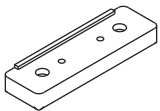
**x 4**



**x 4**



**x 2**



**x 4**

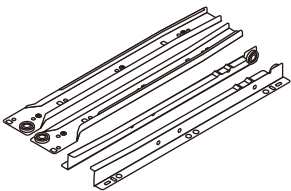


**x 8**



**x 4**

## -DRAWER SET



**x 1**



**x 14**



**x 8**



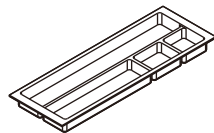
**x 2**



**x 1**



**x 1**

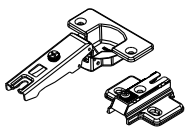


**x 1**



**x 4**

## -DOOR SET



**x 2**

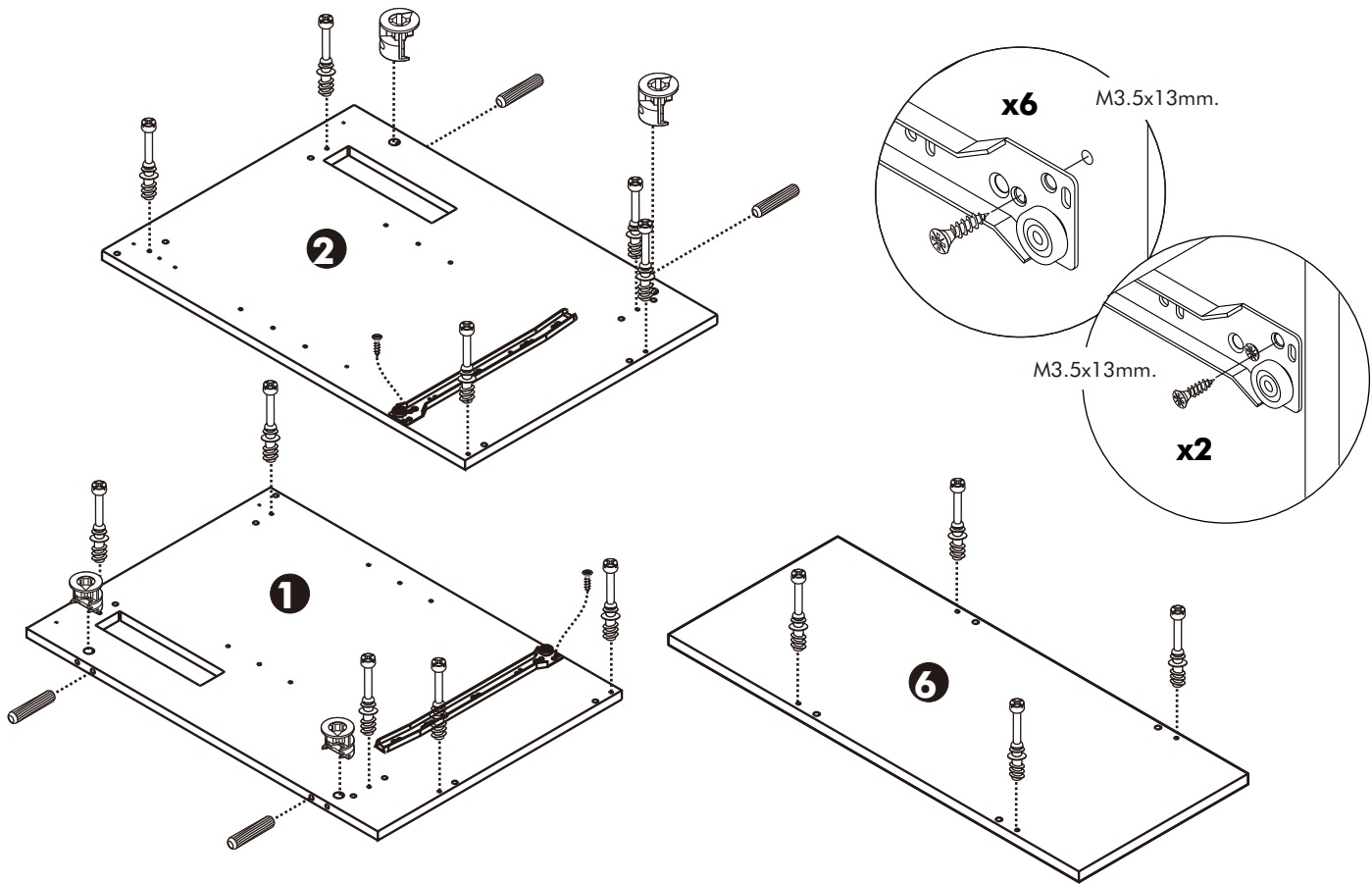



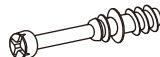

**x 8**



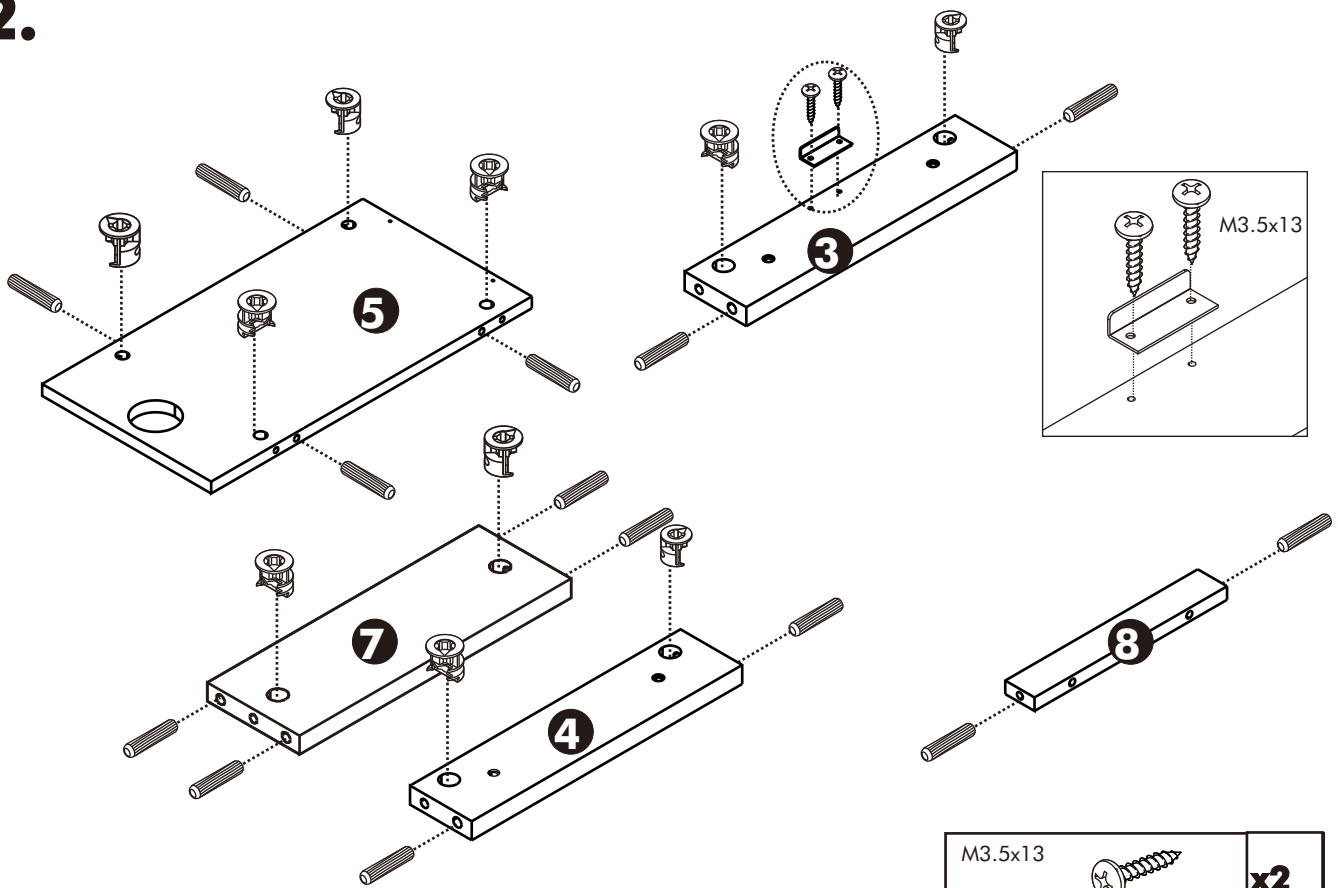
**x 2**





**1.**



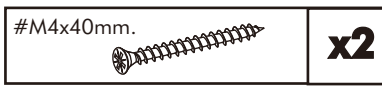
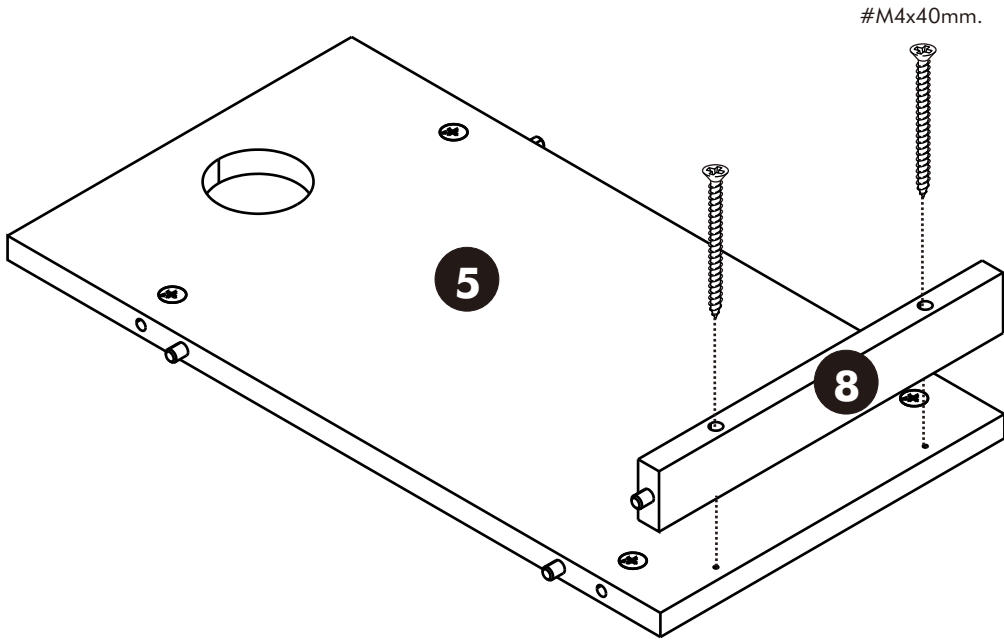
	<b>x4</b>		<b>x14</b>		<b>x4</b>
---	-----------	---	------------	--	-----------

**2.**

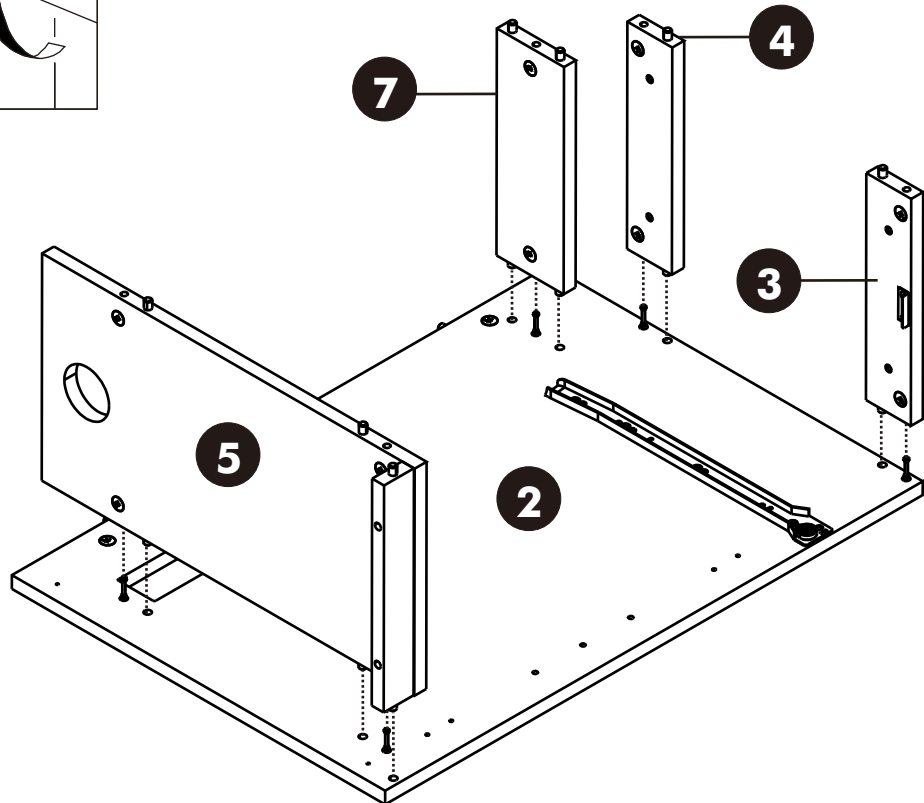
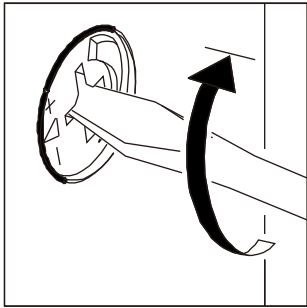


	<b>x10</b>		<b>x14</b>		<b>x2</b>
					<b>x1</b>

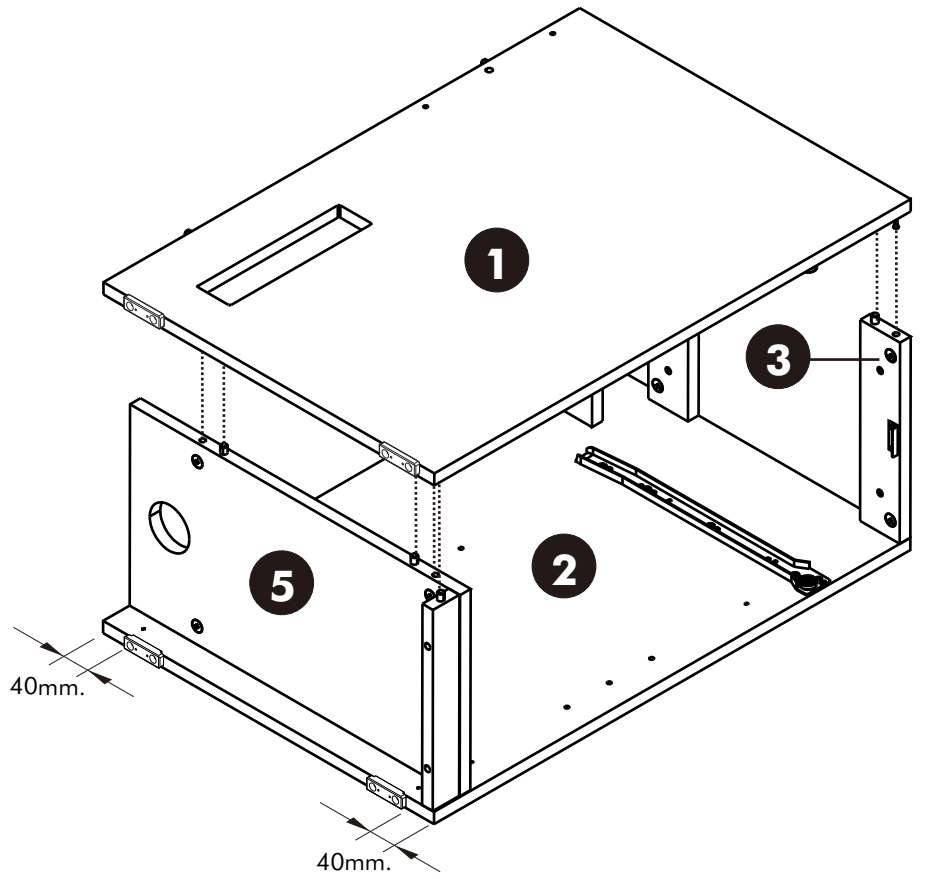
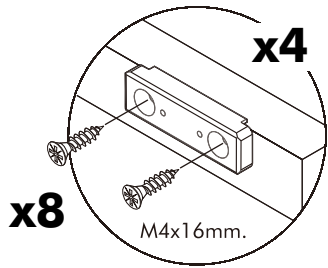
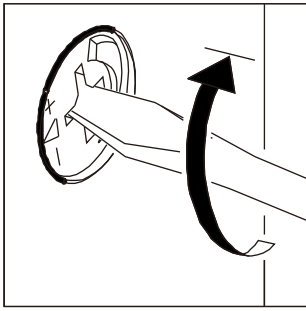
**3.**



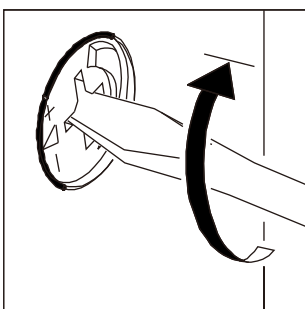
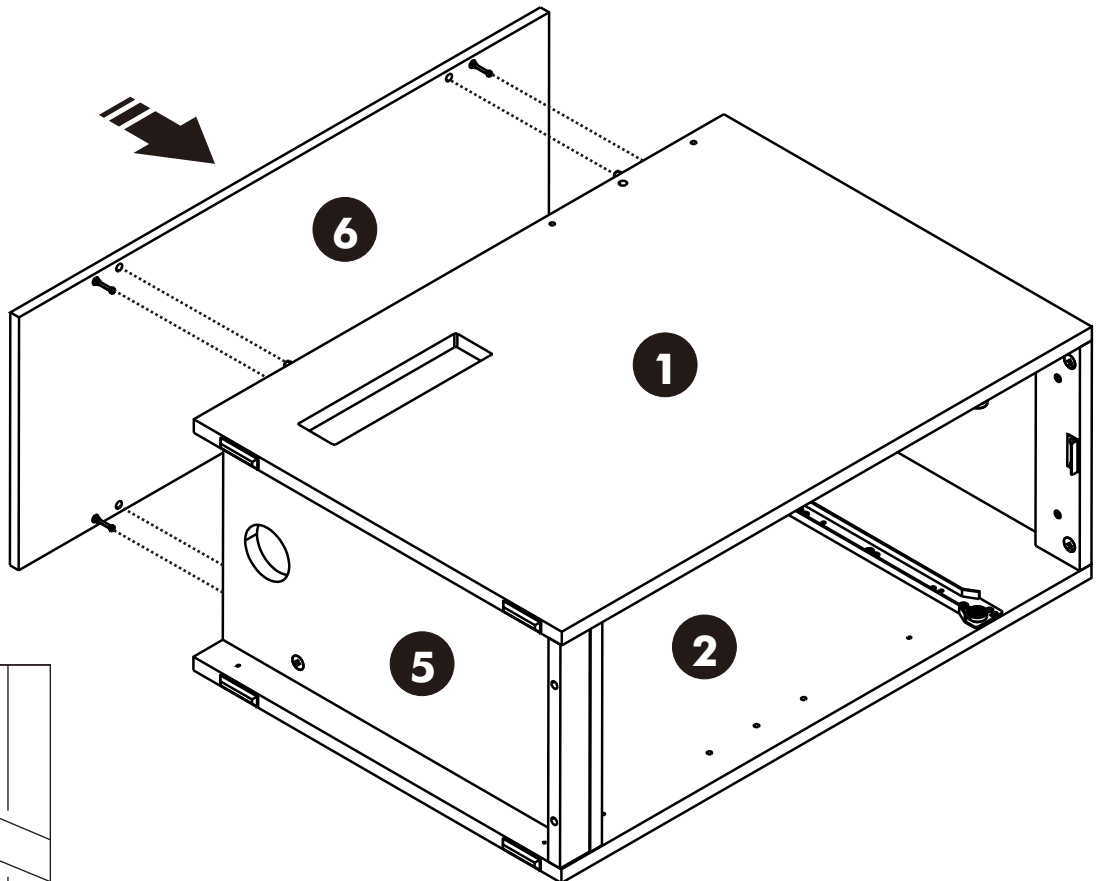
**4.**



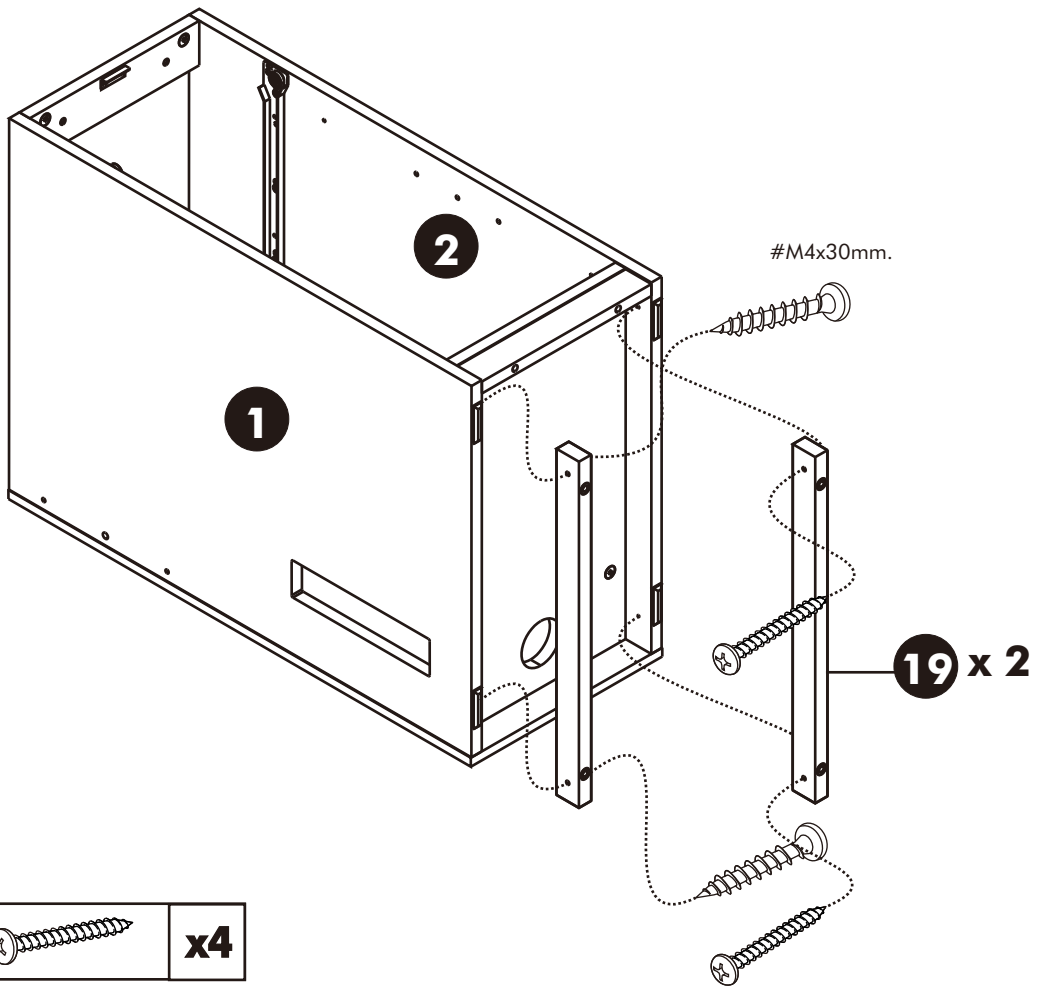
5.



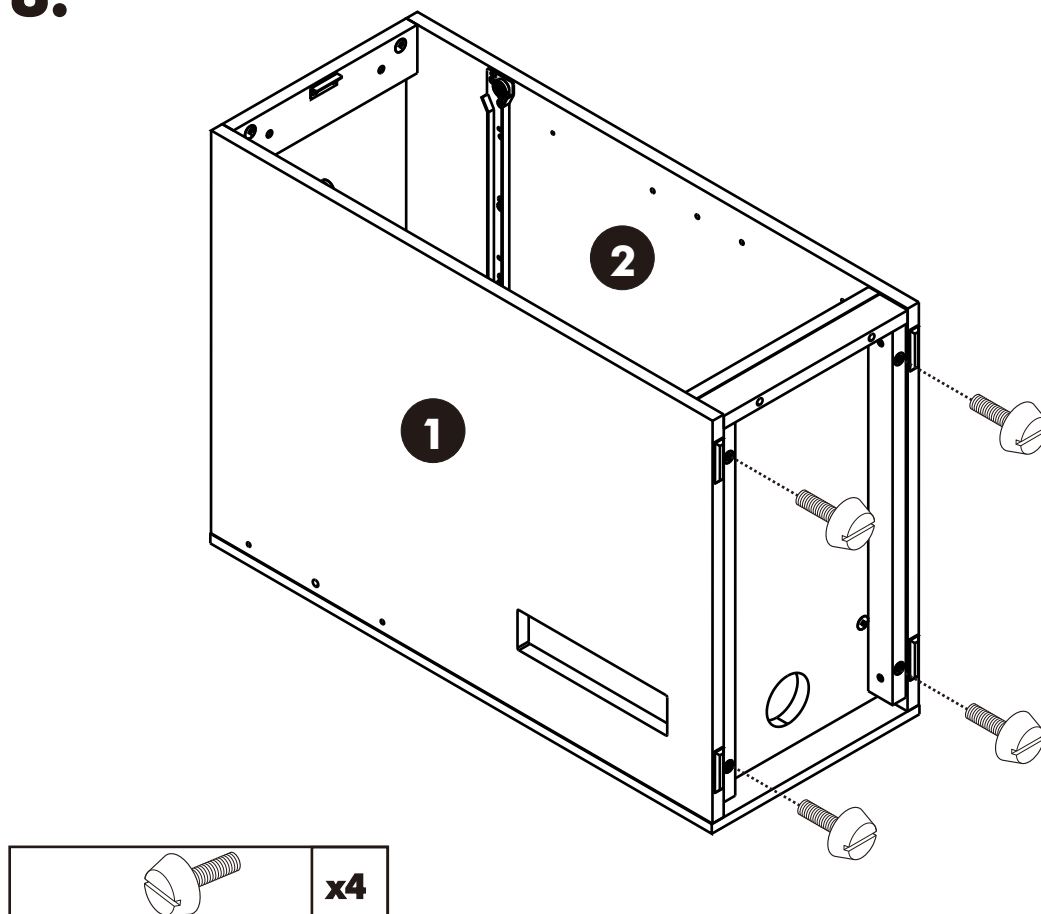
6.



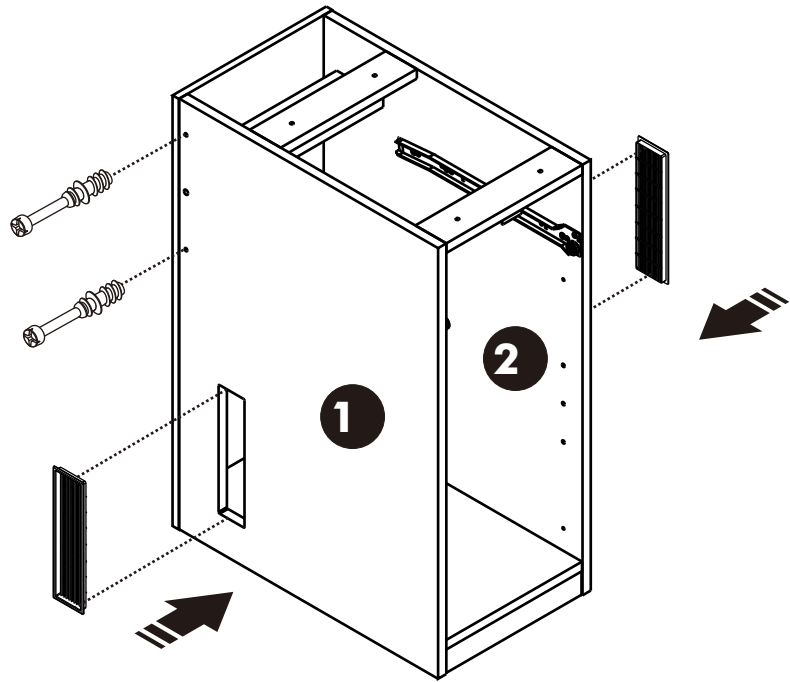
7.

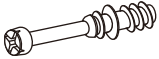



8.

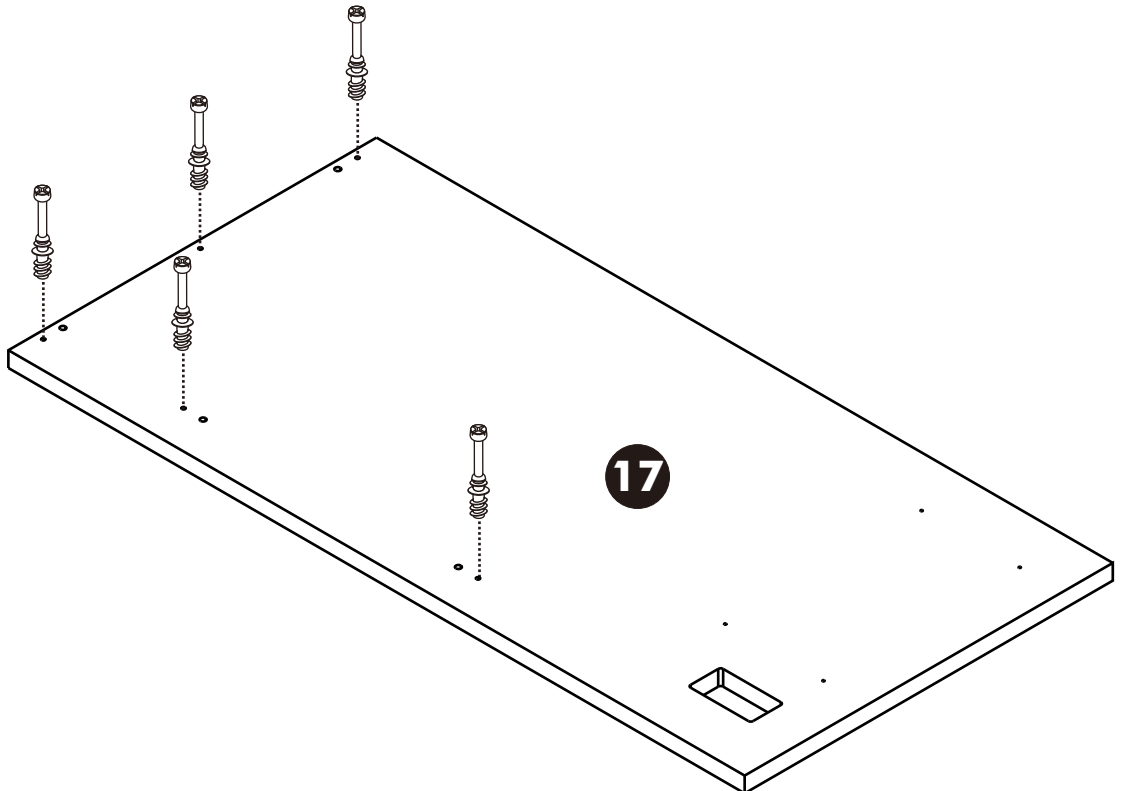


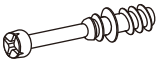
**9.**



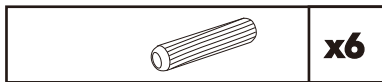
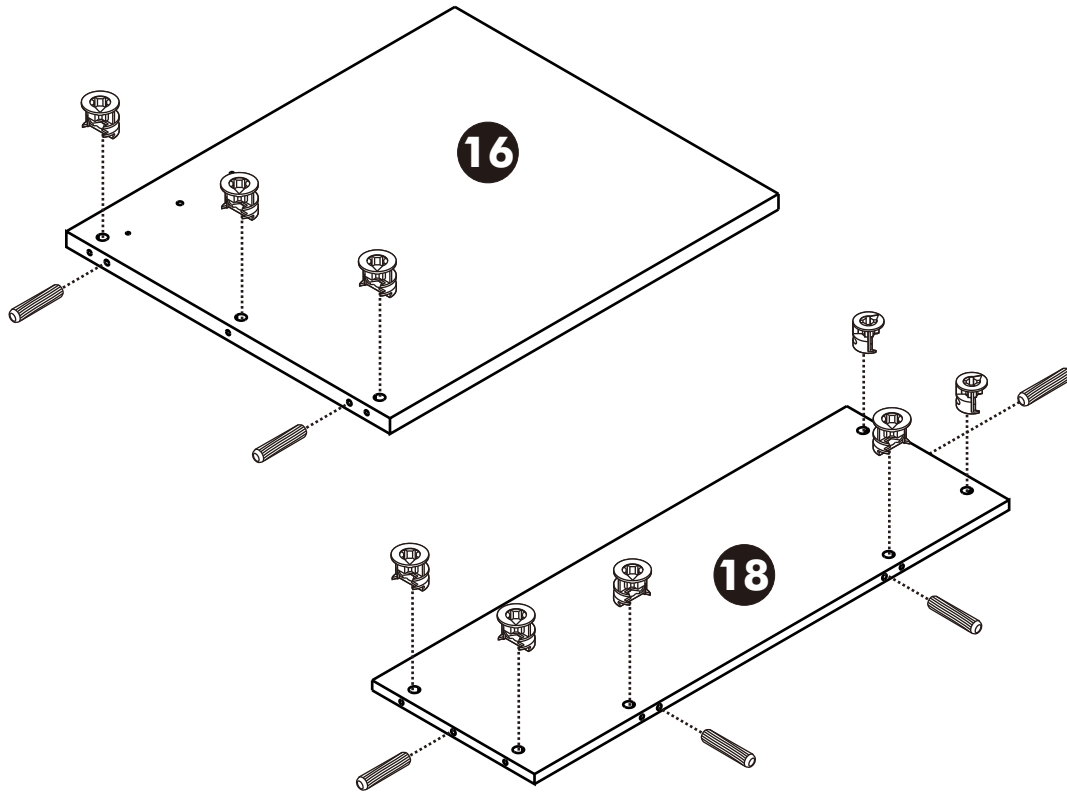
	<b>x2</b>
	<b>x2</b>

**10.**

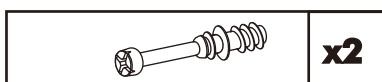
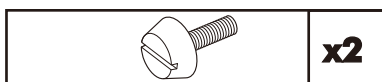
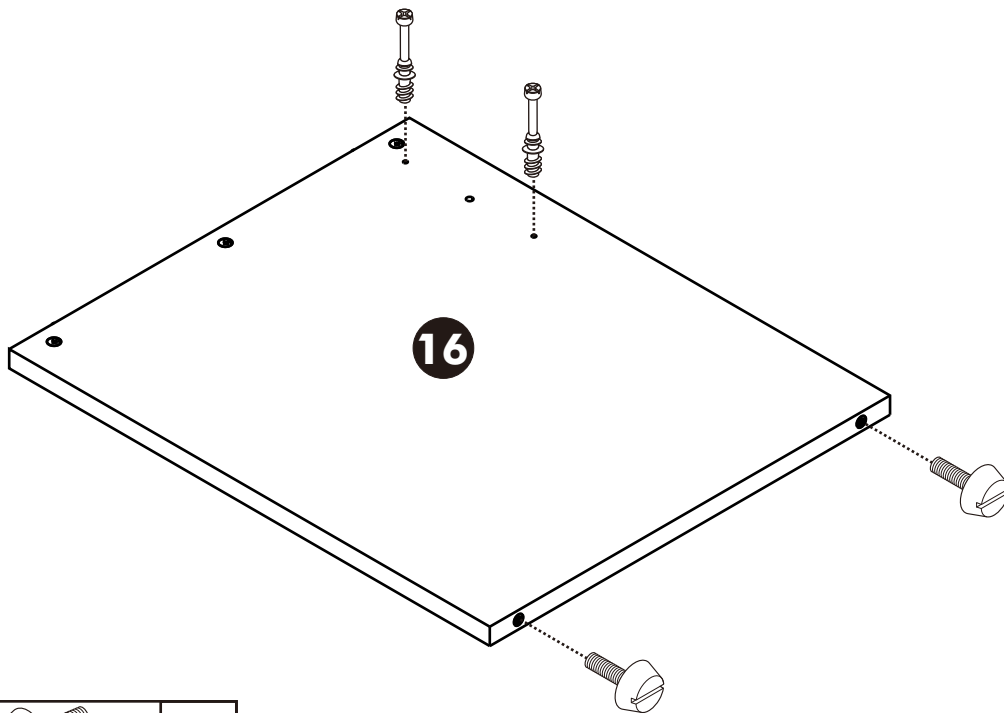


	<b>x5</b>
---	-----------

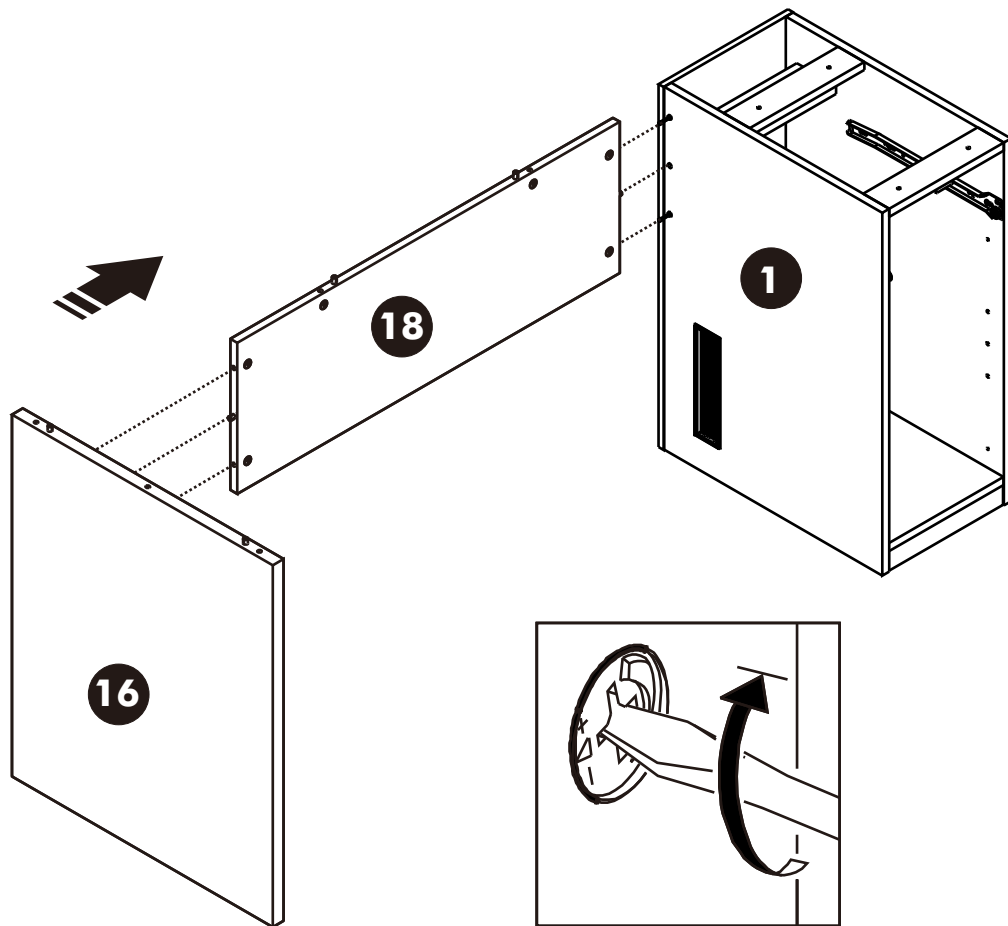
# 11.



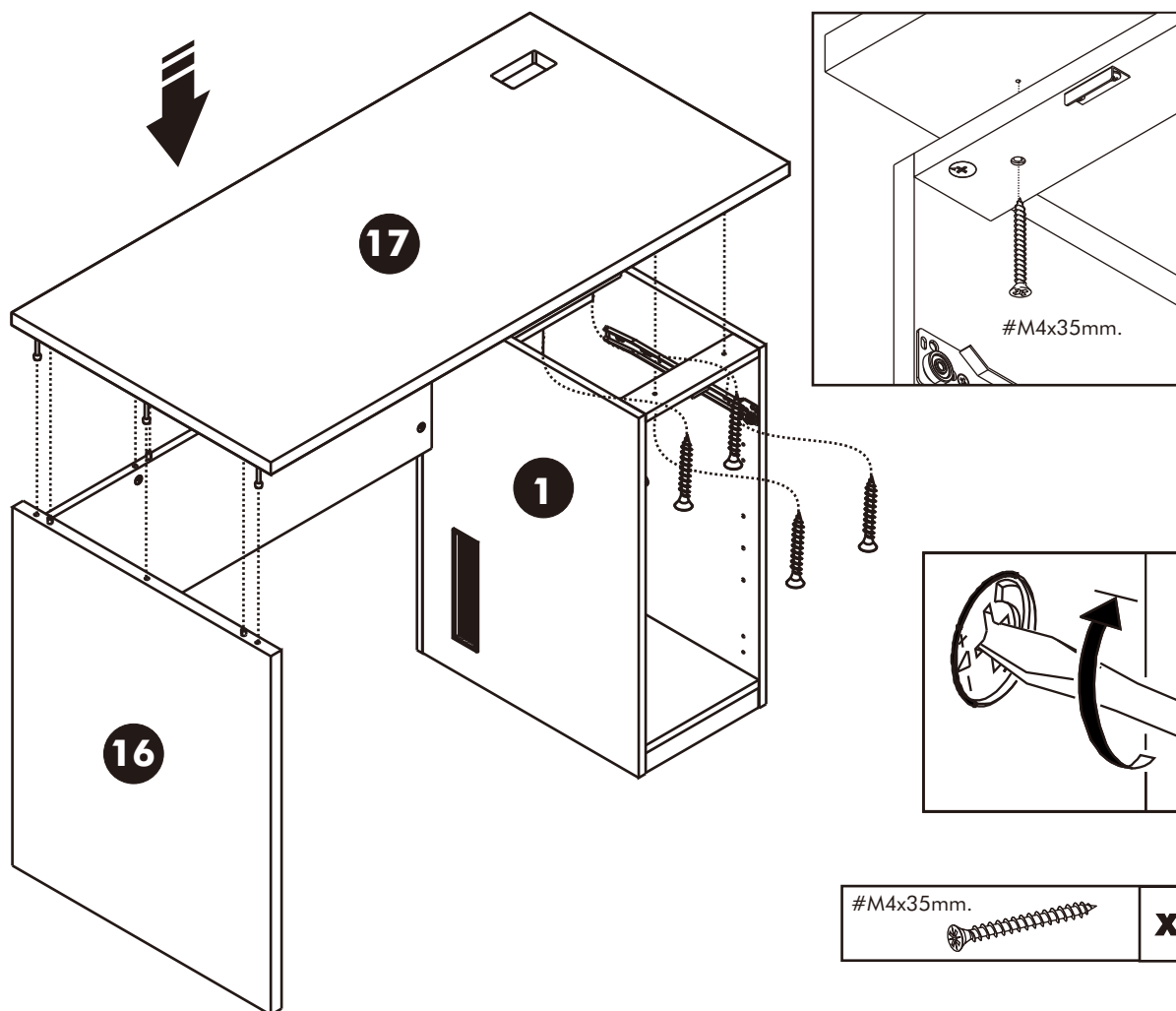
# 12.



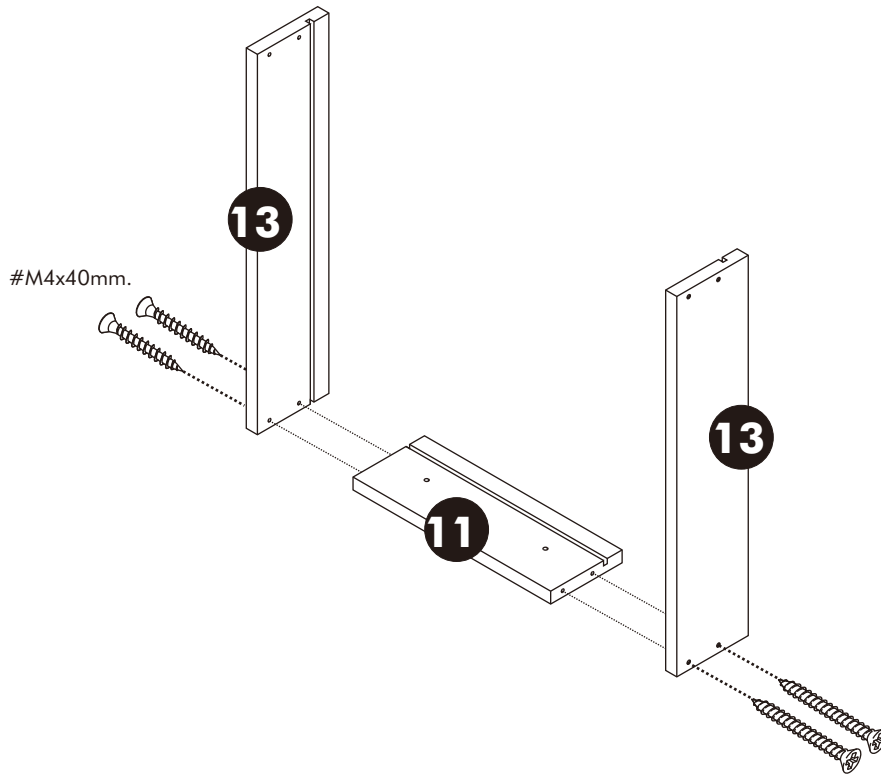
**13.**




**14.**

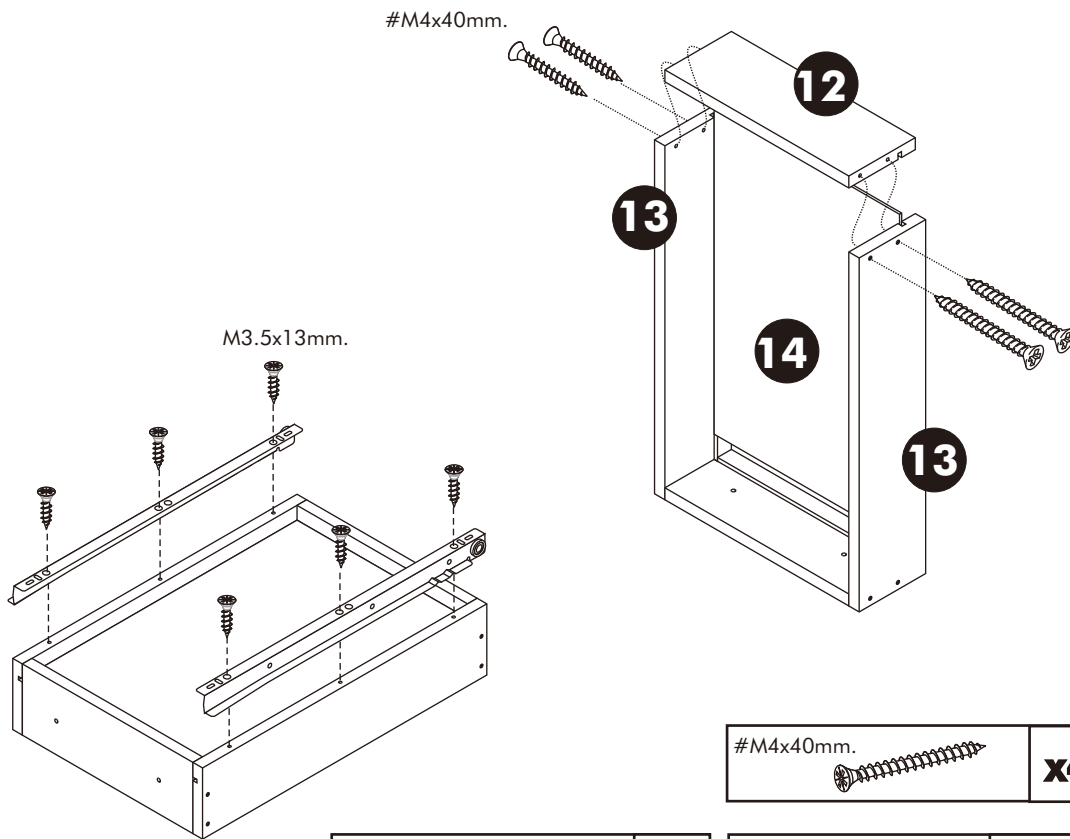


# 15.




#M4x40mm.		<b>x4</b>
-----------	---	-----------

# 16.

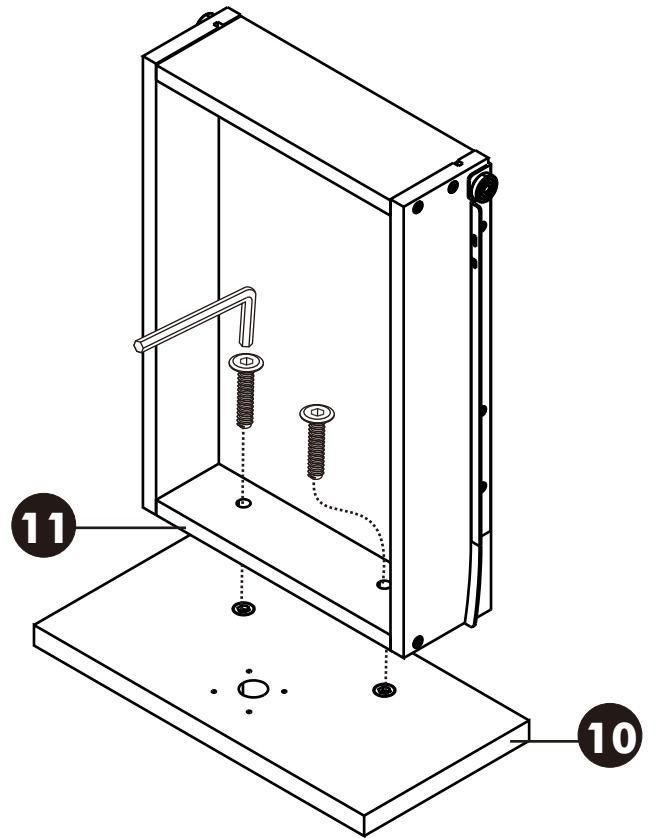
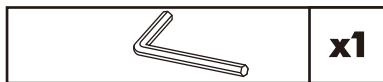
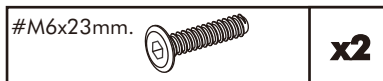
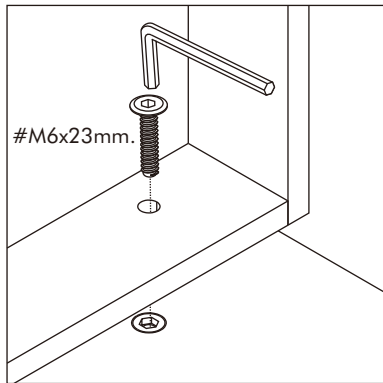


#M4x40mm.		<b>x4</b>
-----------	---	-----------

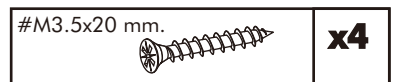
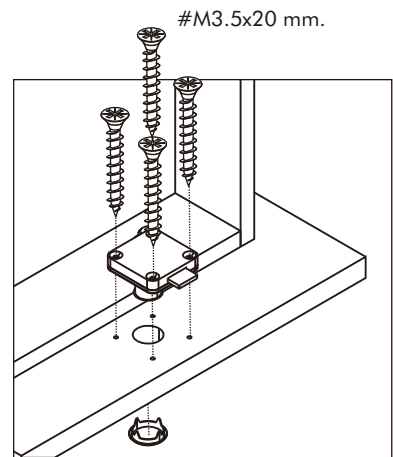
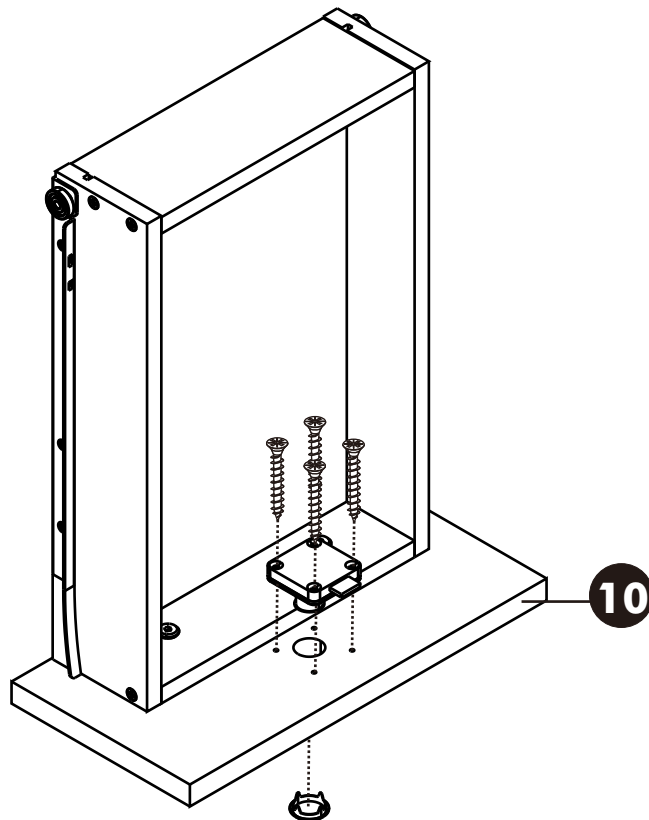
M3.5x13mm.		<b>x6</b>
------------	---	-----------

	<b>x1SET</b>
---	--------------

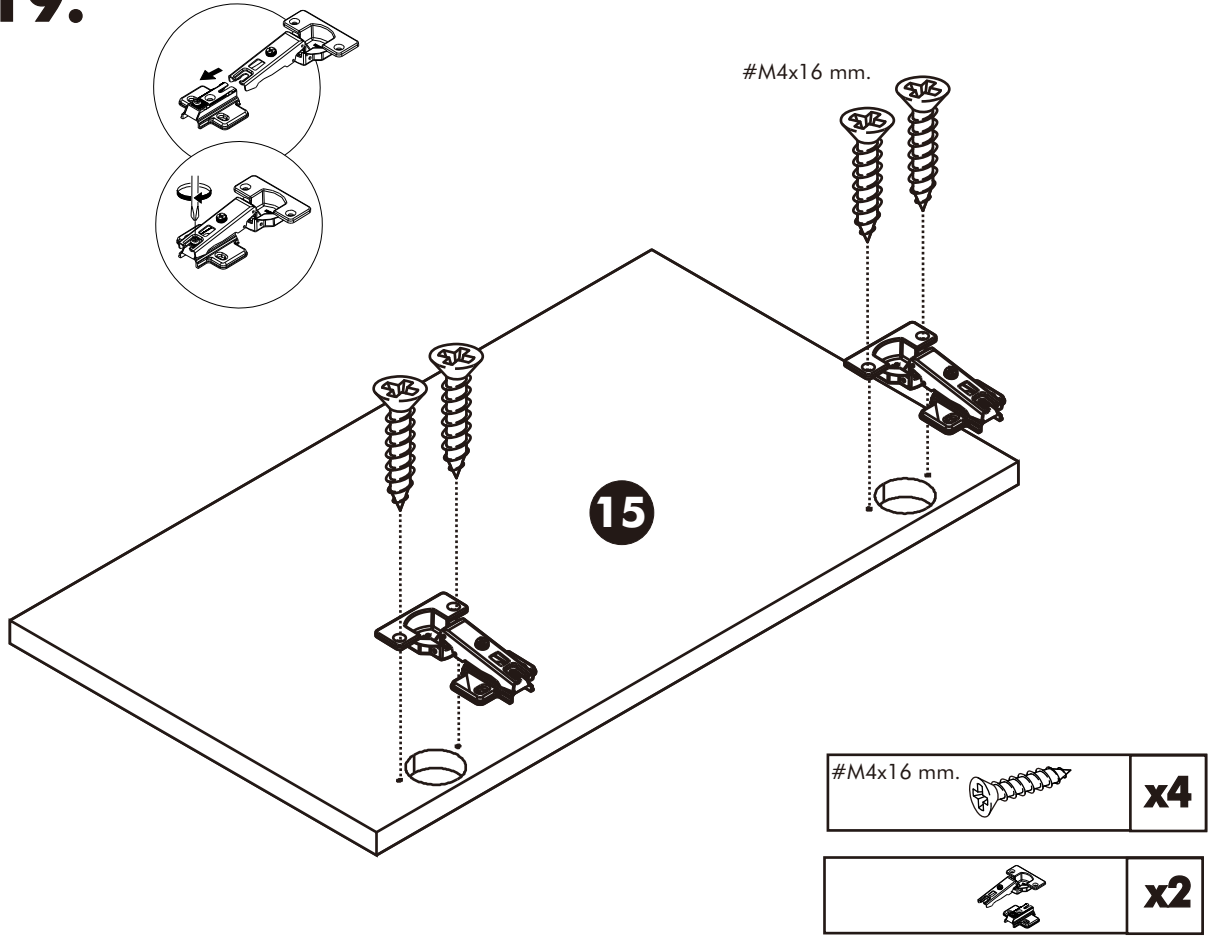
# 17.



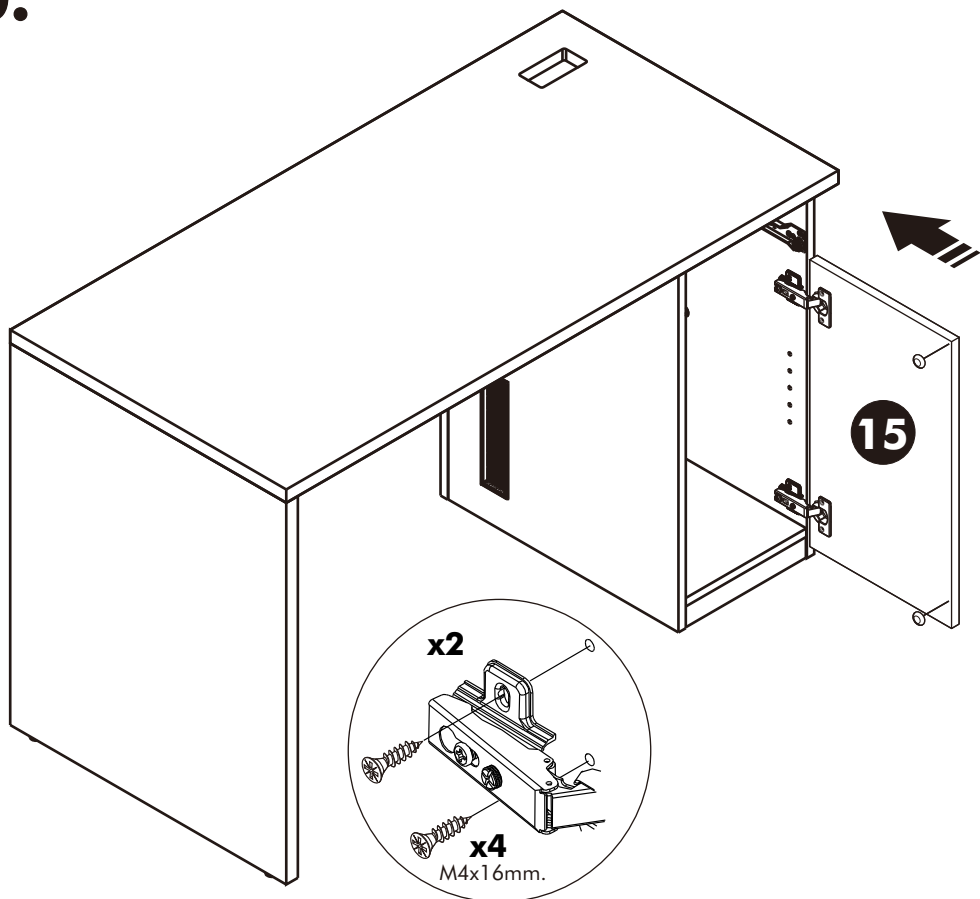
# 18.



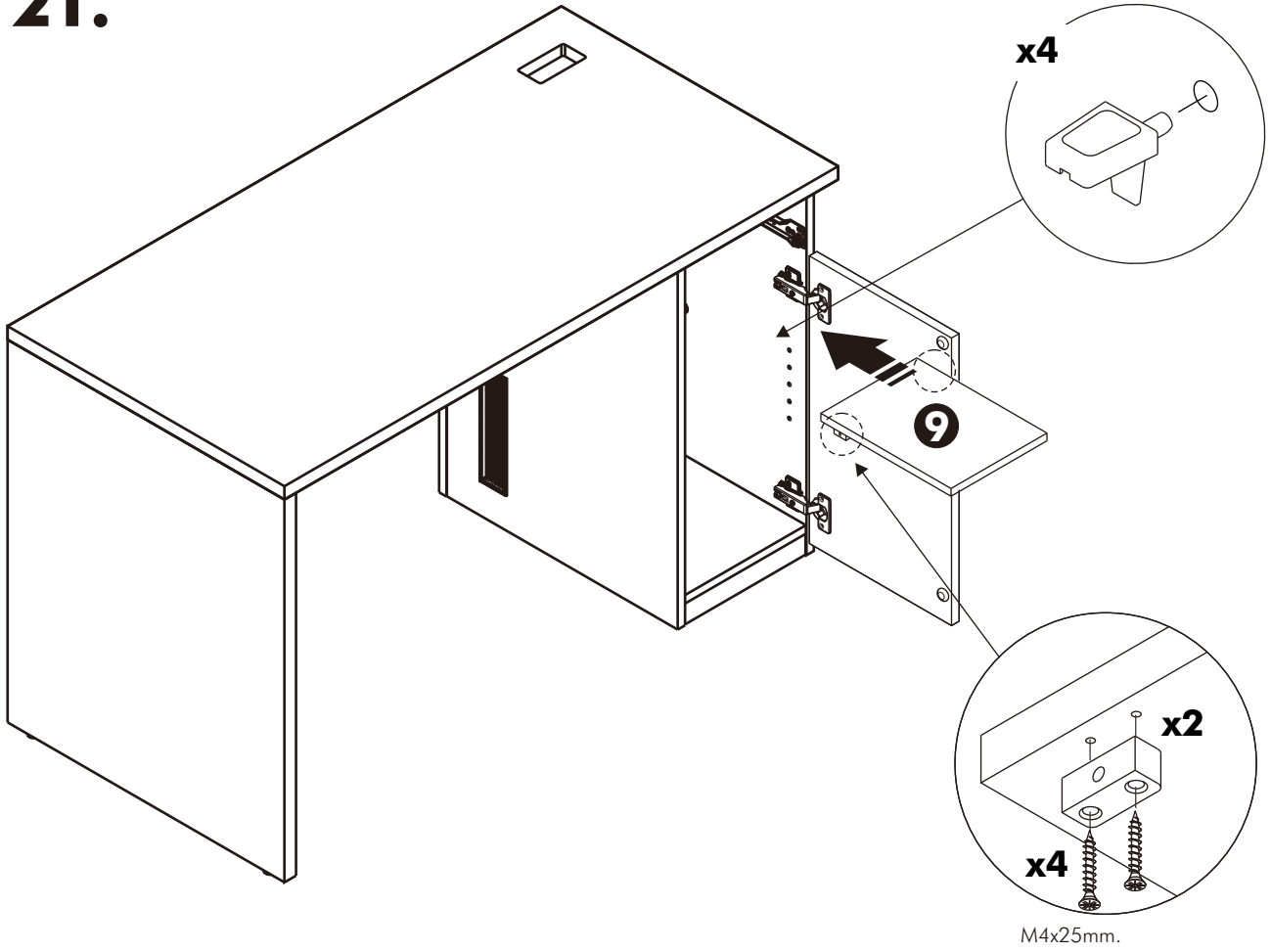
**19.**



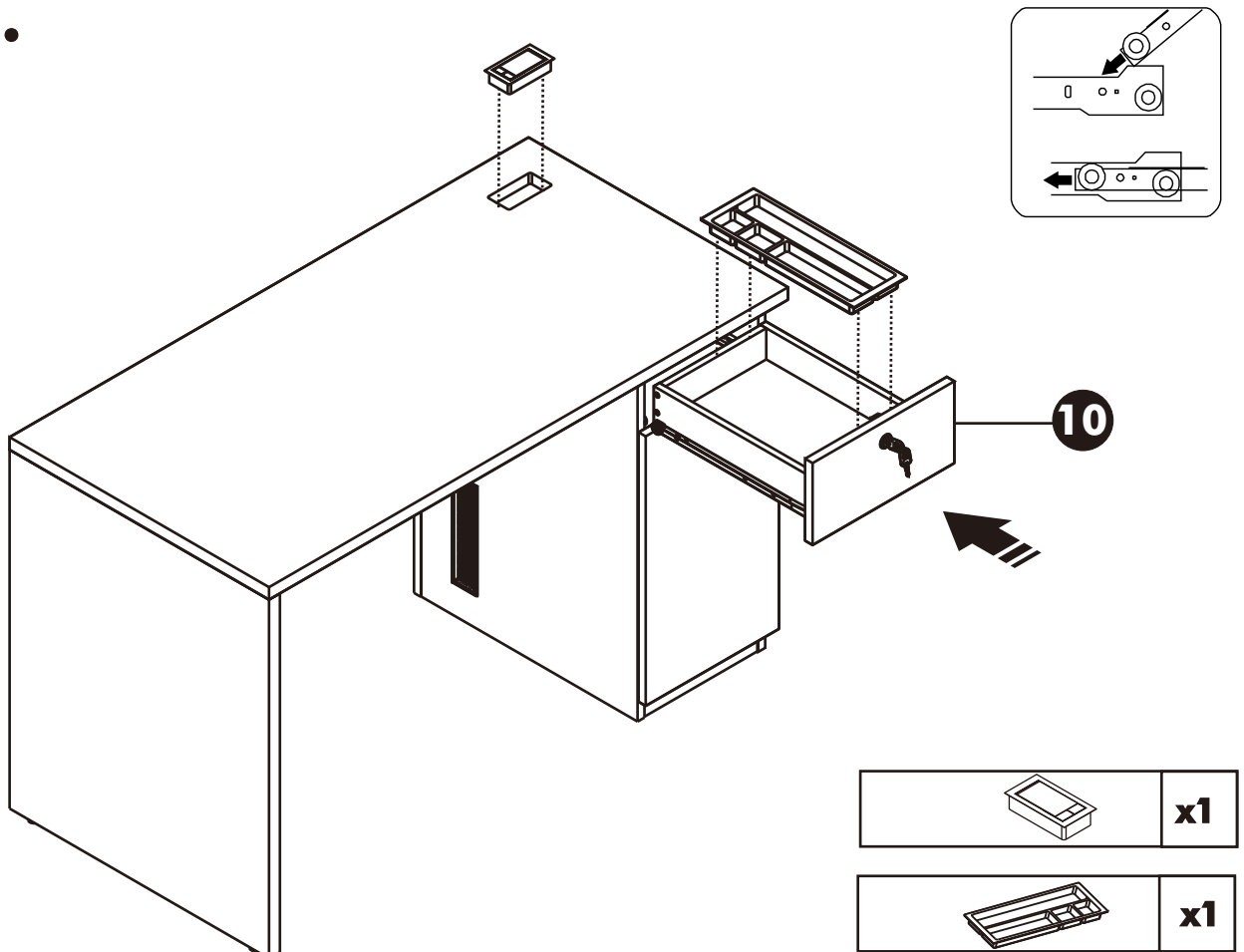
**20.**



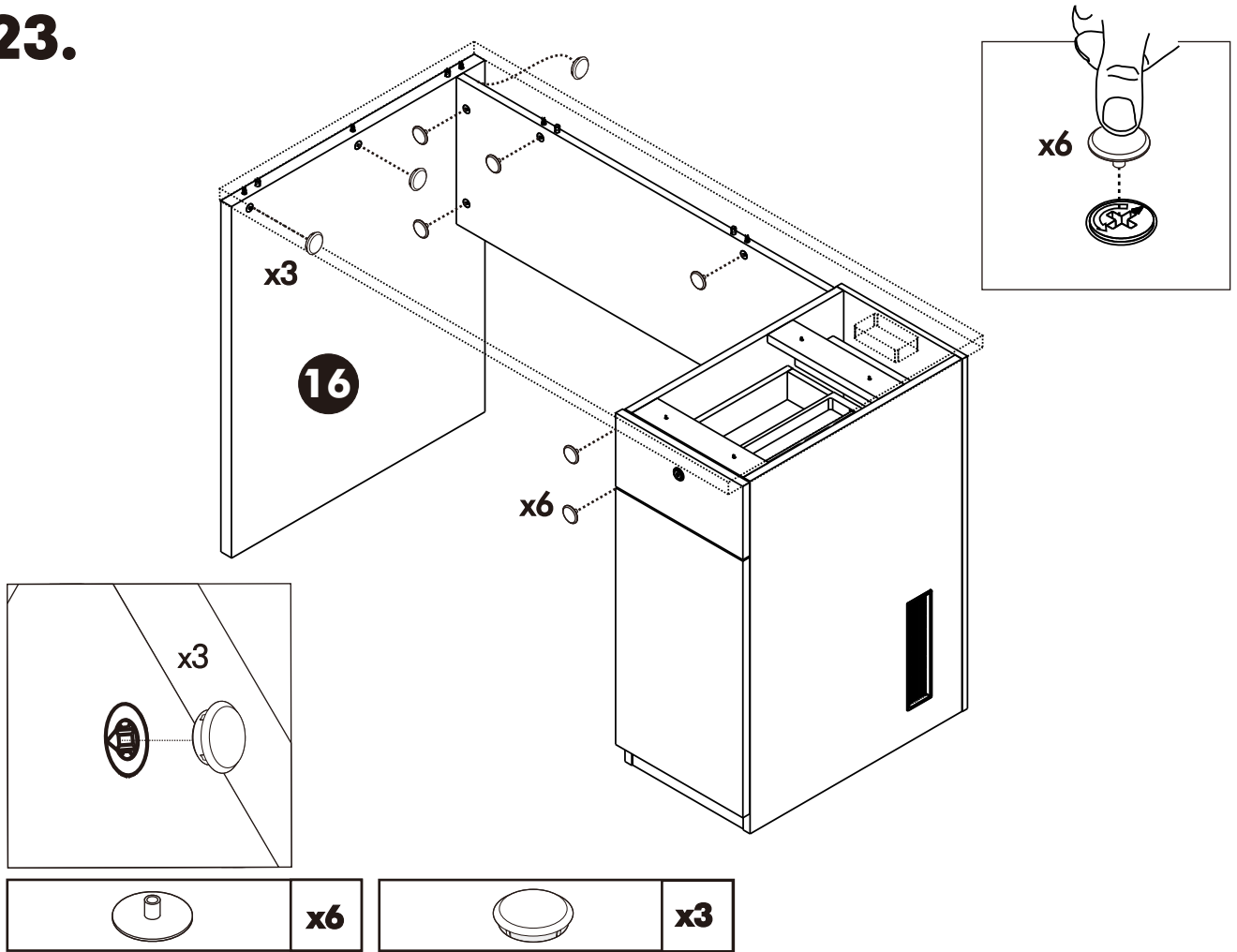
**21.**



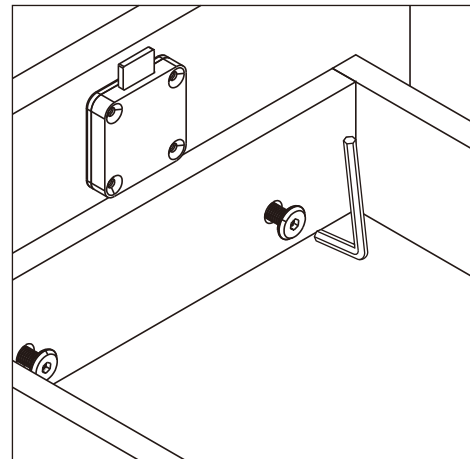
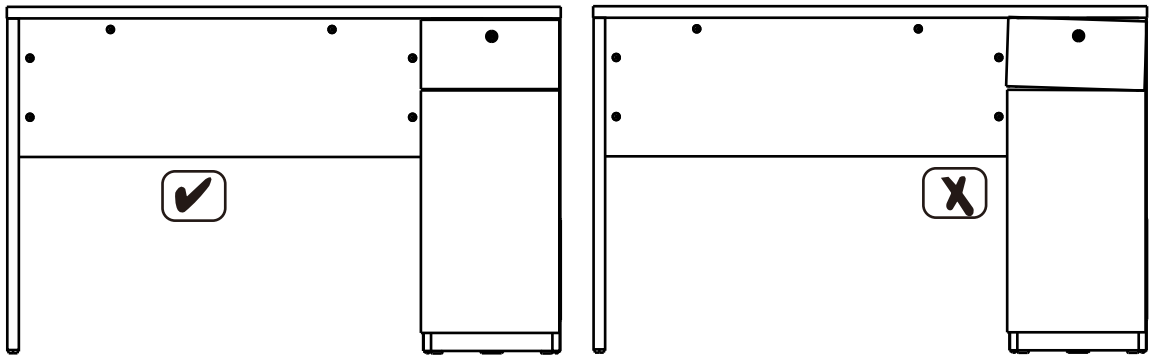
**22.**



# 23.



# 24.



AFTER FINISHED ASSEMBLY  
 INCASE OF GAP BETWEEN DRAWERS ARE NOT ALIGN  
 PLEASE ADJUST AS BELOW.  
 1. LOOSE SCREW A LITTLE BIT.  
 2. THEN MOVE FRONT DRAWER TO ALINGNMENT POSITION.  
 3. TIGHTEN SCREW.