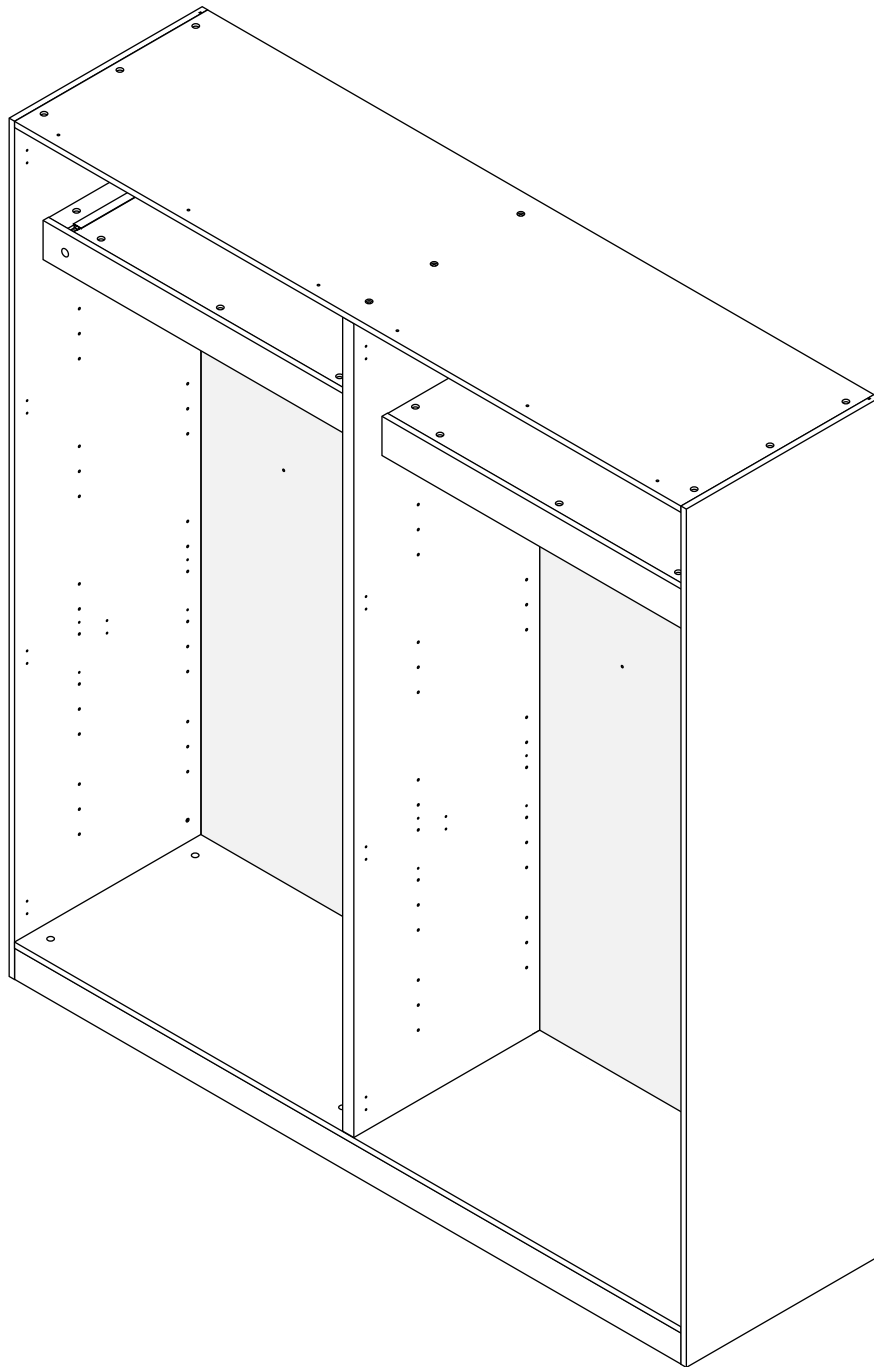
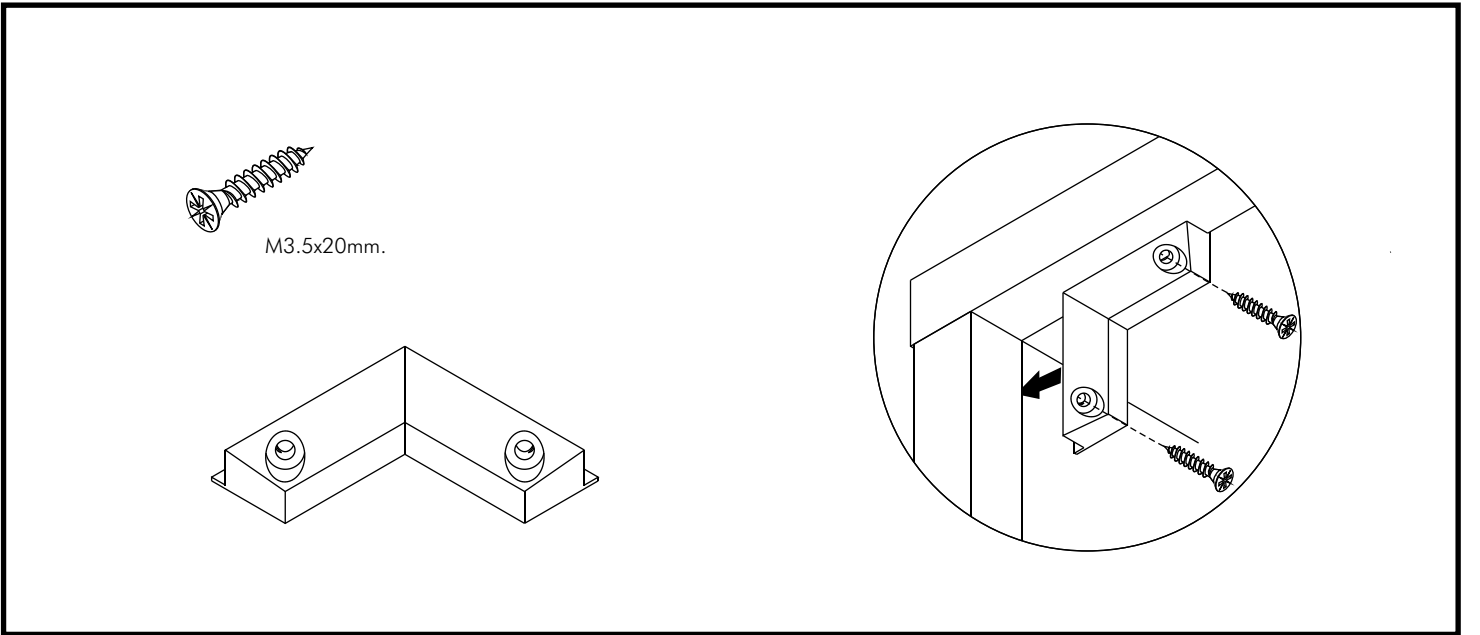
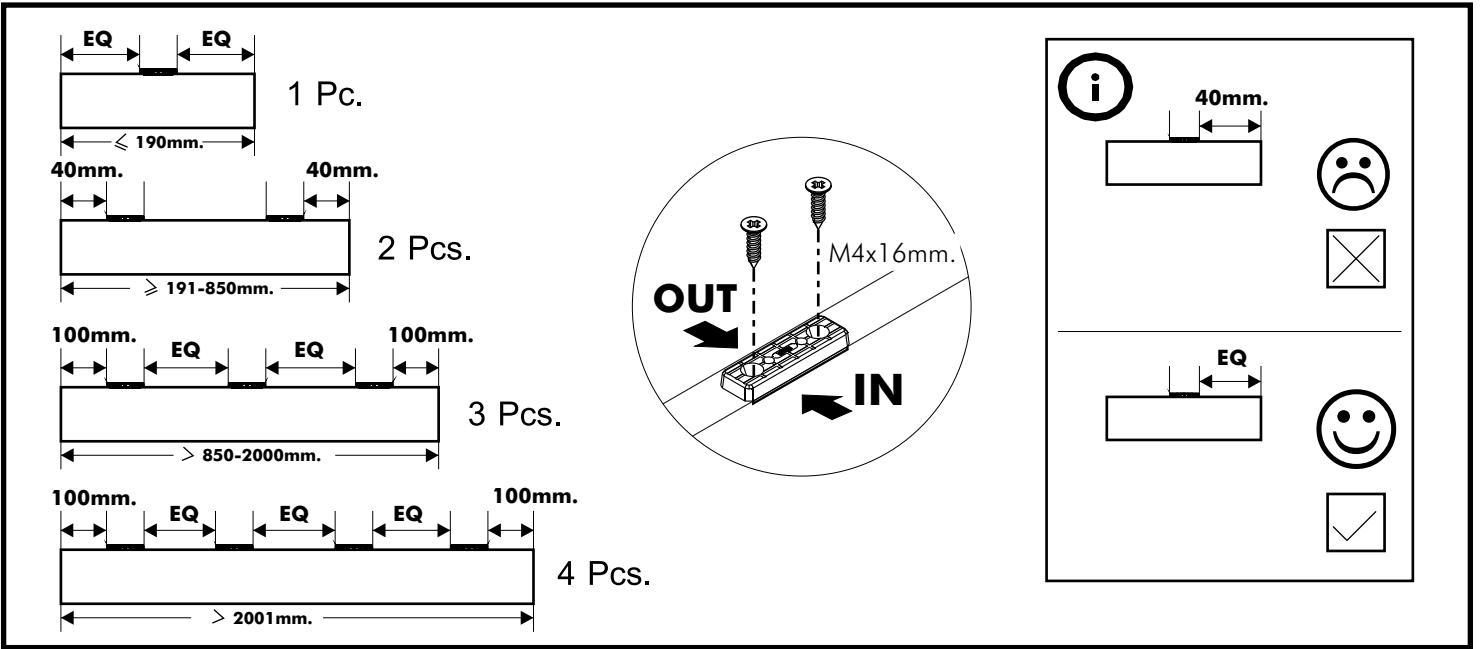


EXTRA SYSTEM/P/4

Wardrobe frame 4 doors.

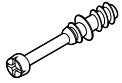


CONNECT SYSTEM



HARDWARE

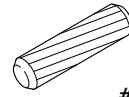
-BODY SET



x 26

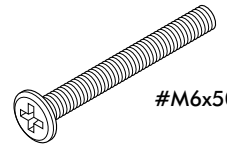


x 26



#8x35

x 40



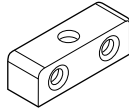
#M6x50

x 6



Ø11mm.

x 10



x 7



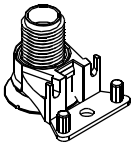
#M3.5x20F)

x 4



Ø5x18mm.

x 6

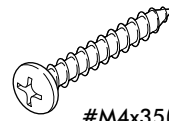


x 6



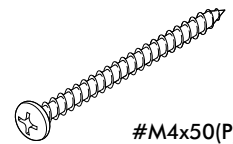
#M3.5x13(P)

x 34



#M4x35(P)

x 9



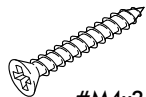
#M4x50(P)

x 9



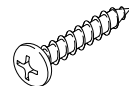
#M3.5x25(F)

x 21



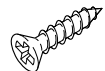
#M4x25(F)

x 12



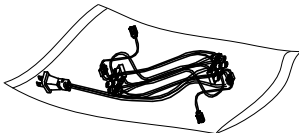
#M4x20(P)

x 25

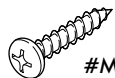


#M4x16(F)

x 42



x 1

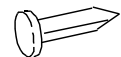


#M3x20(P)

x 4



x 4

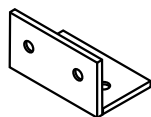


x 4

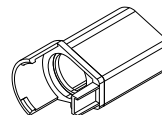


#M4x16(P)

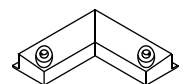
x 12



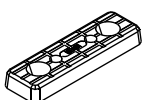
x 3



x 6

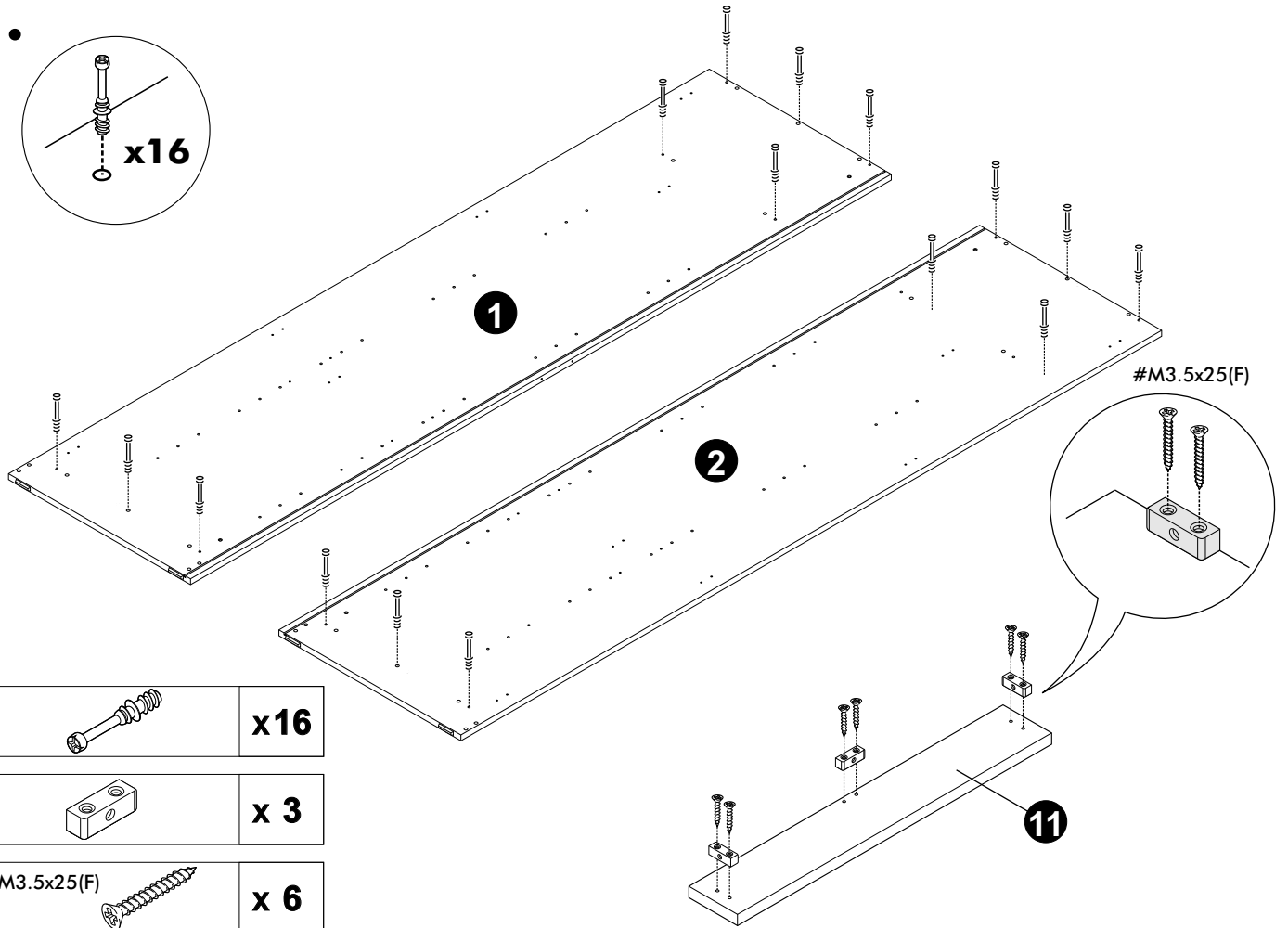
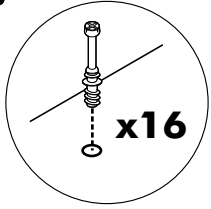


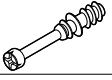
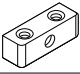
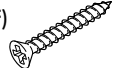
x 2



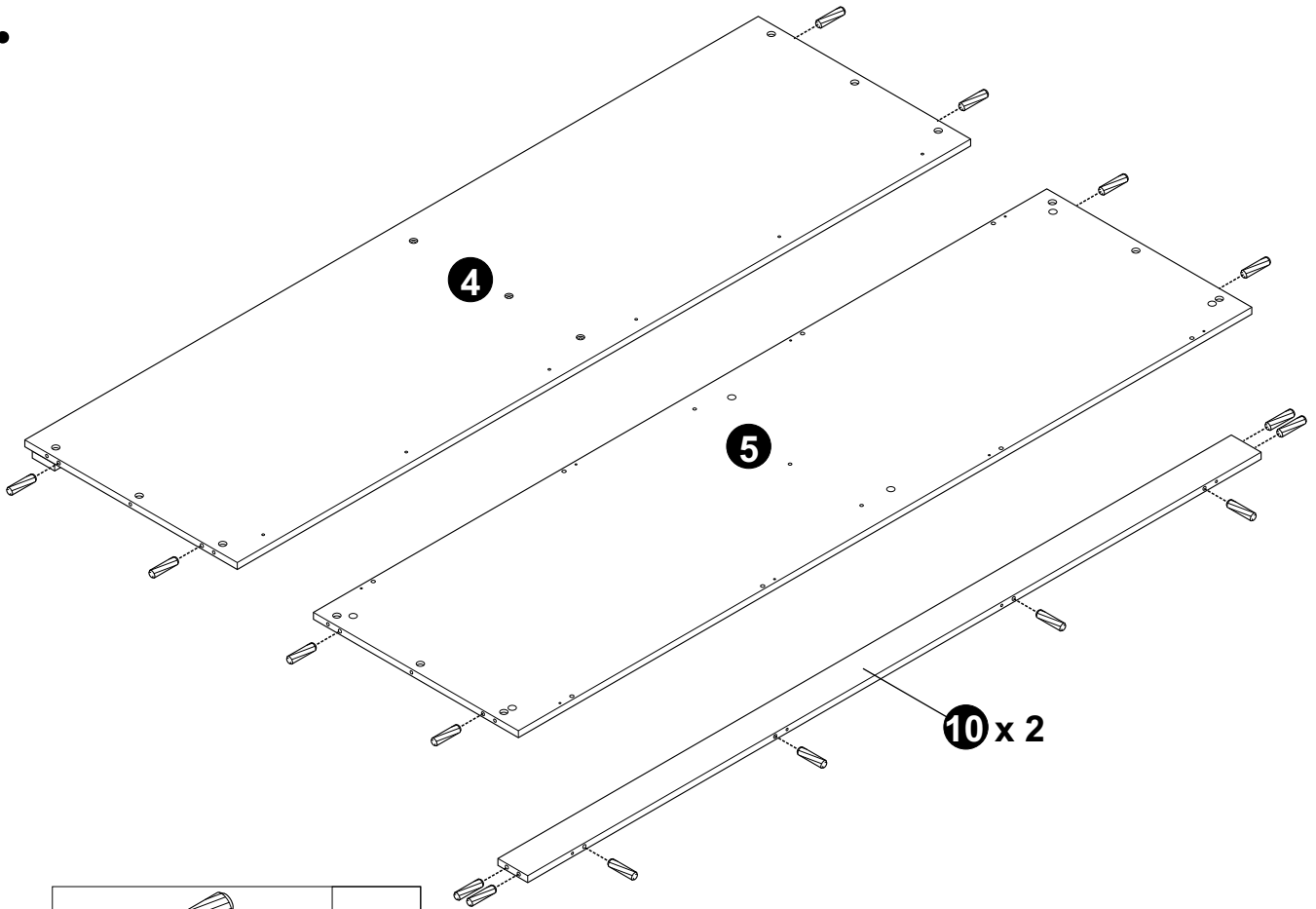
x 12

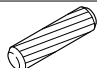
1.



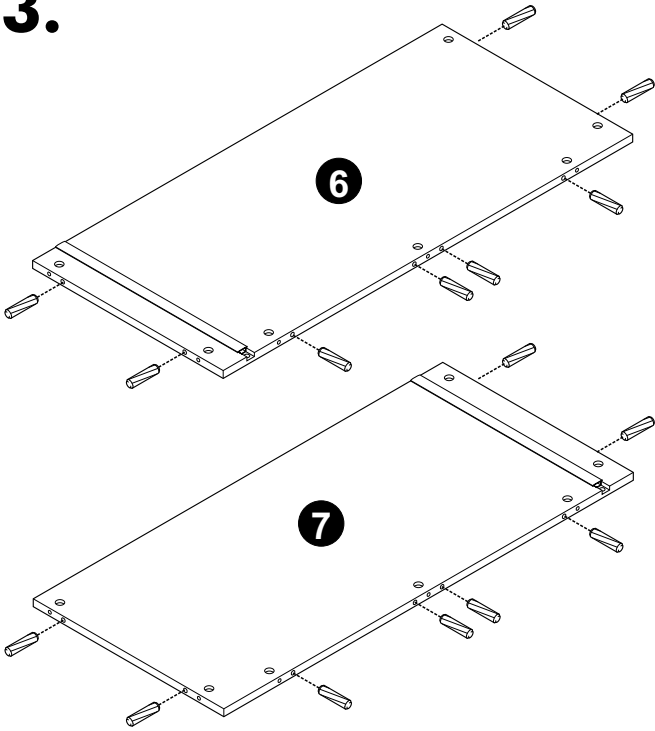
	x16
	x 3
#M3.5x25(F) 	x 6

2.

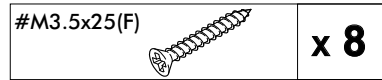
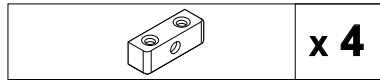
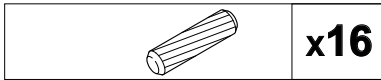
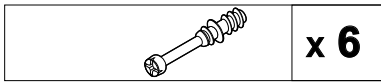
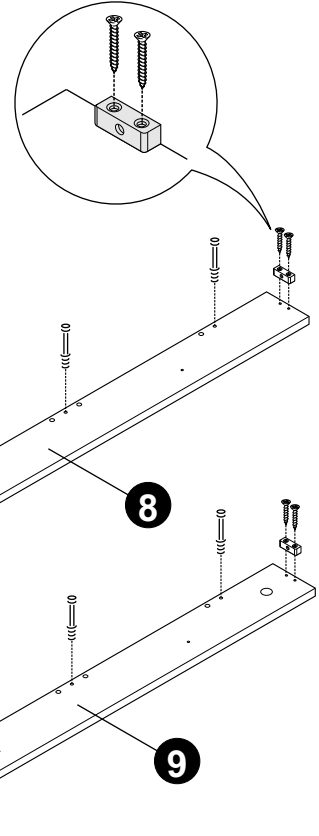


	x 24
---	------

3.

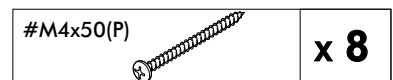
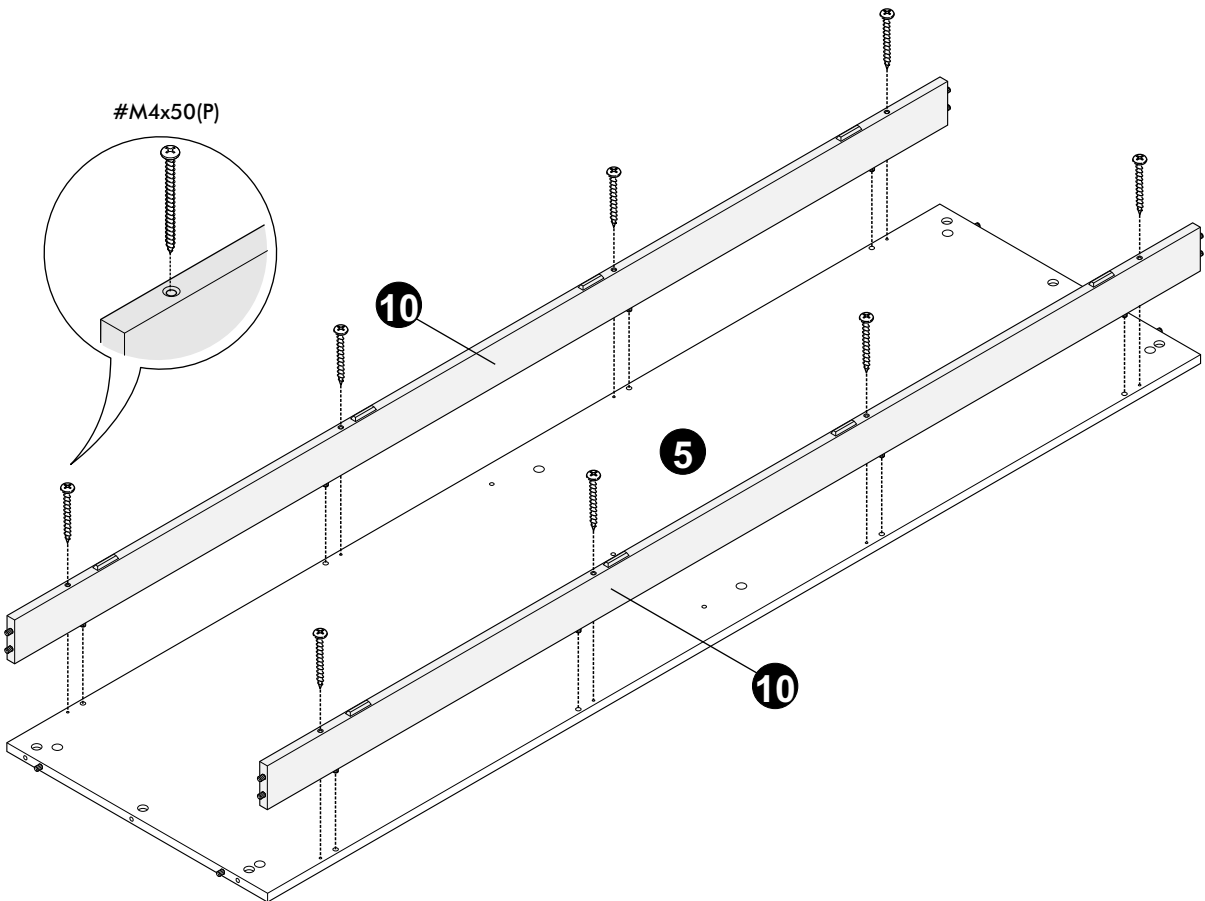
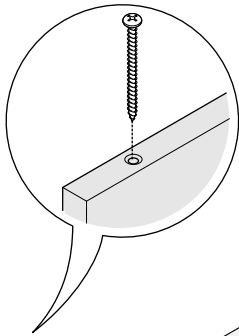


#M3.5x25(F)

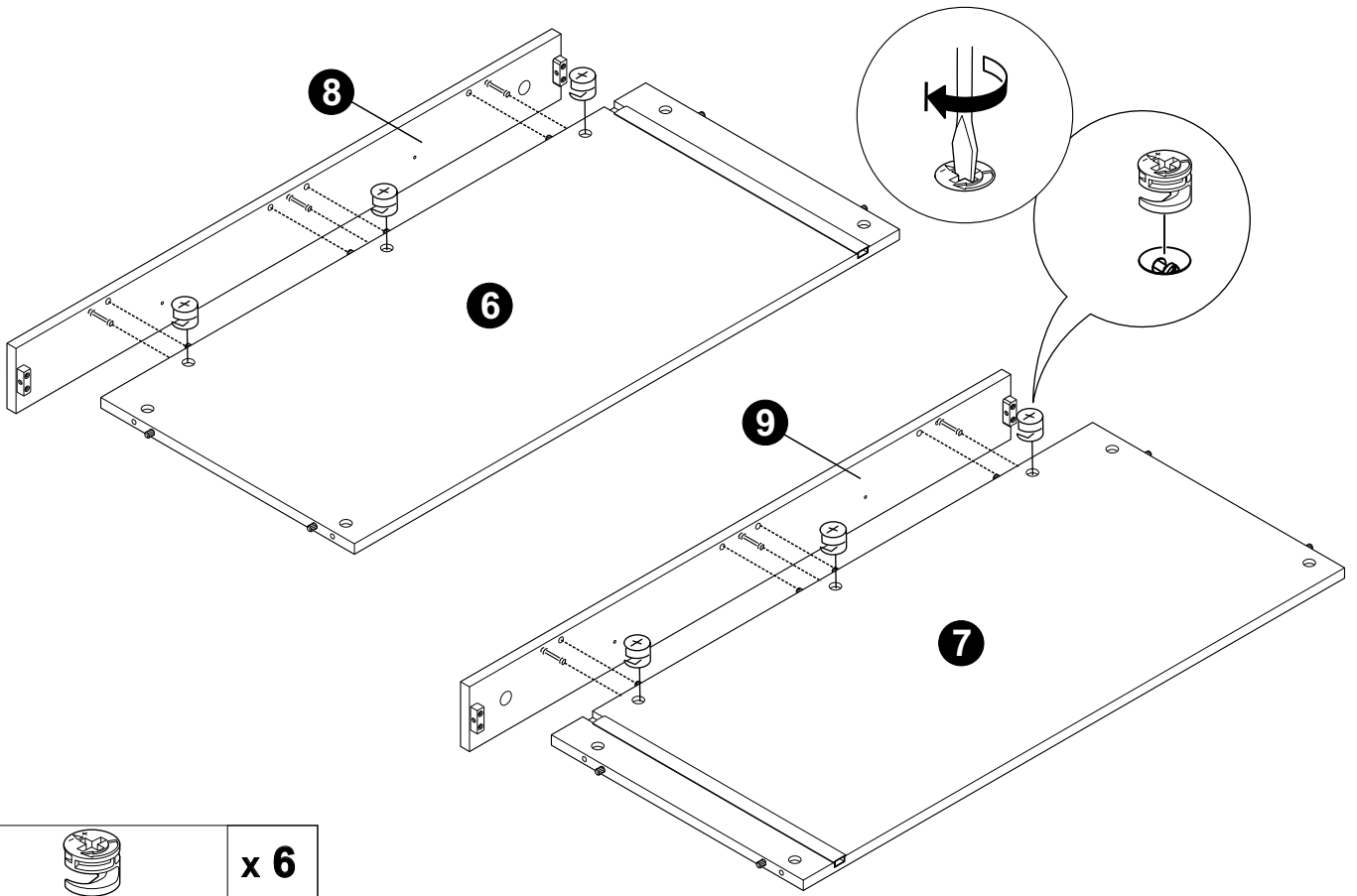



4.

#M4x50(P)

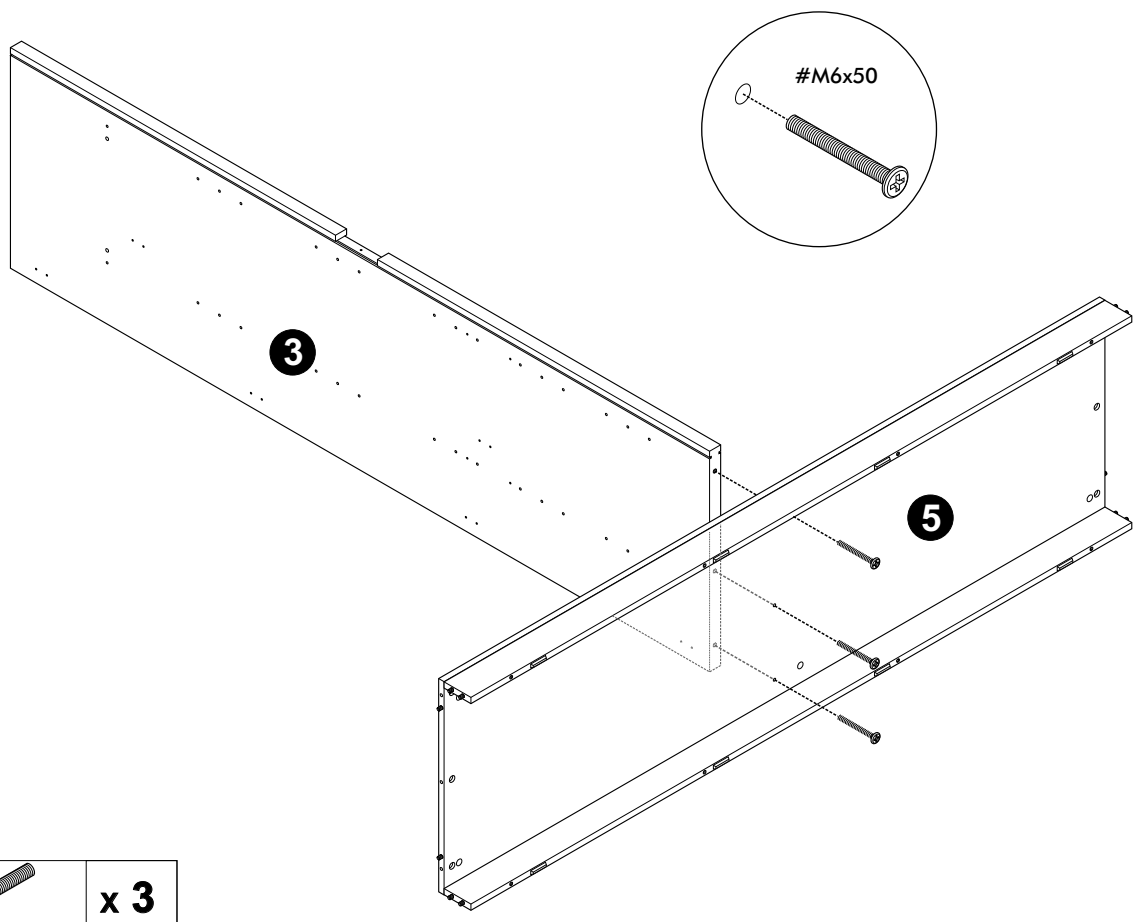


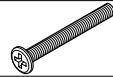
5.



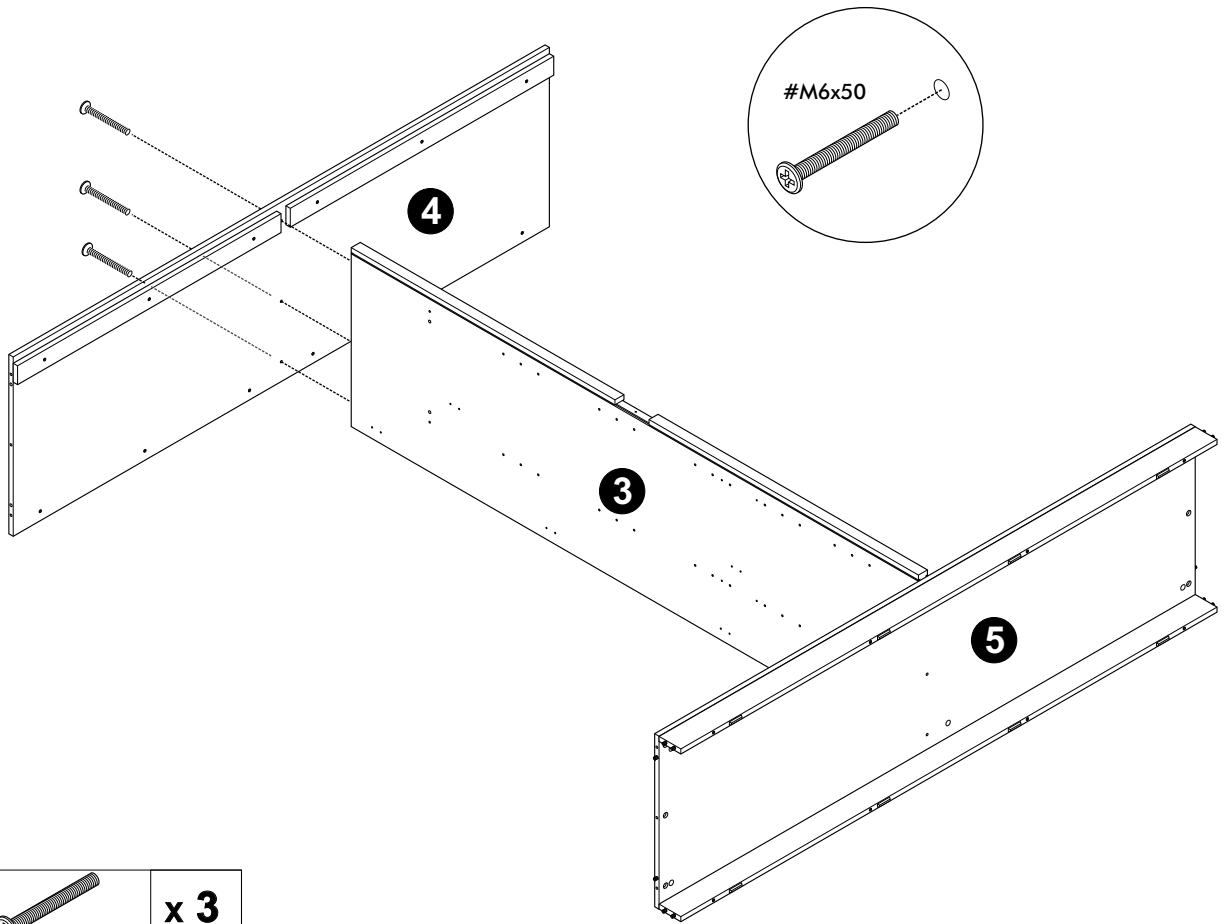
	x 6
---	------------

6.

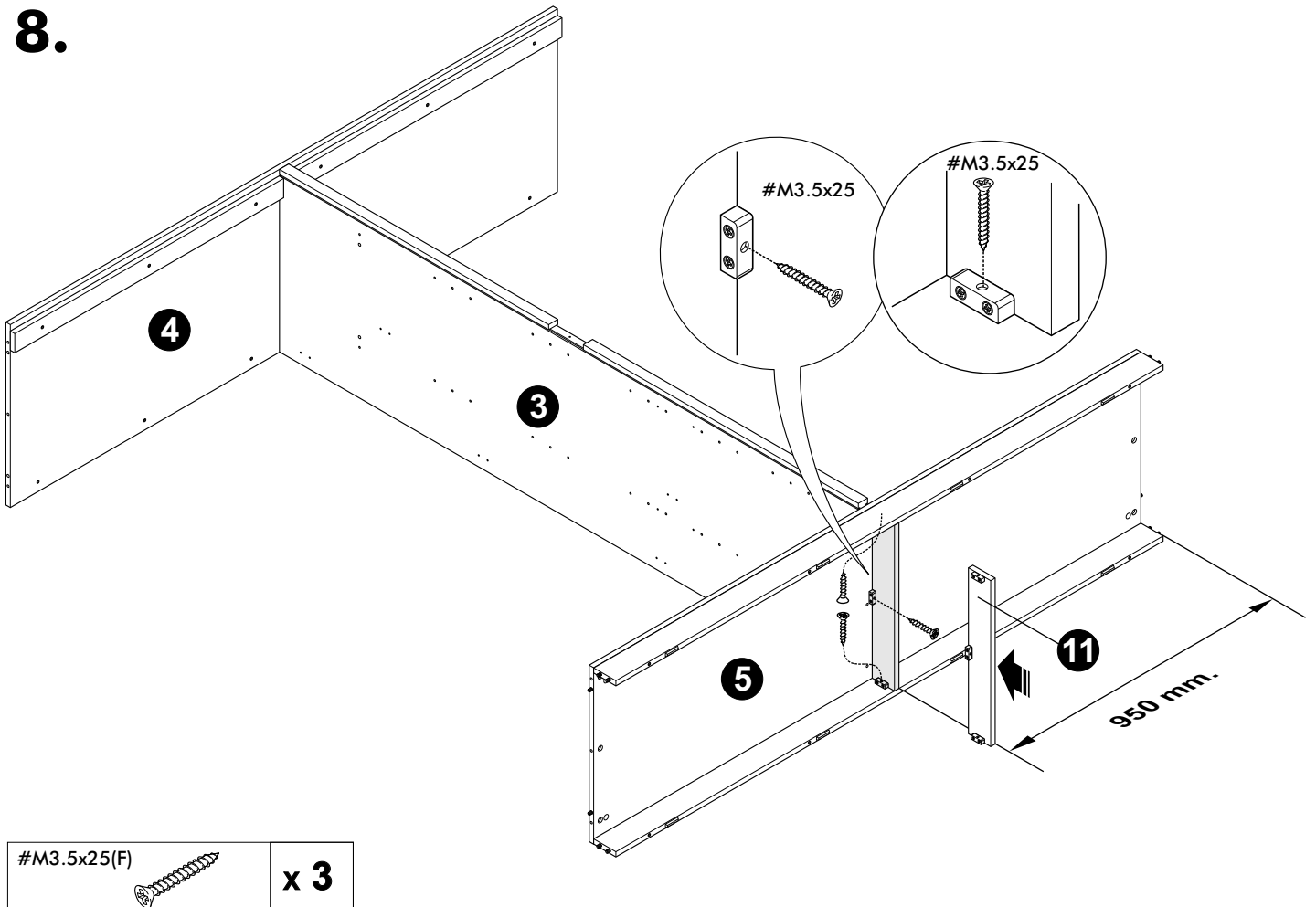


#M6x50 	x 3
---	------------

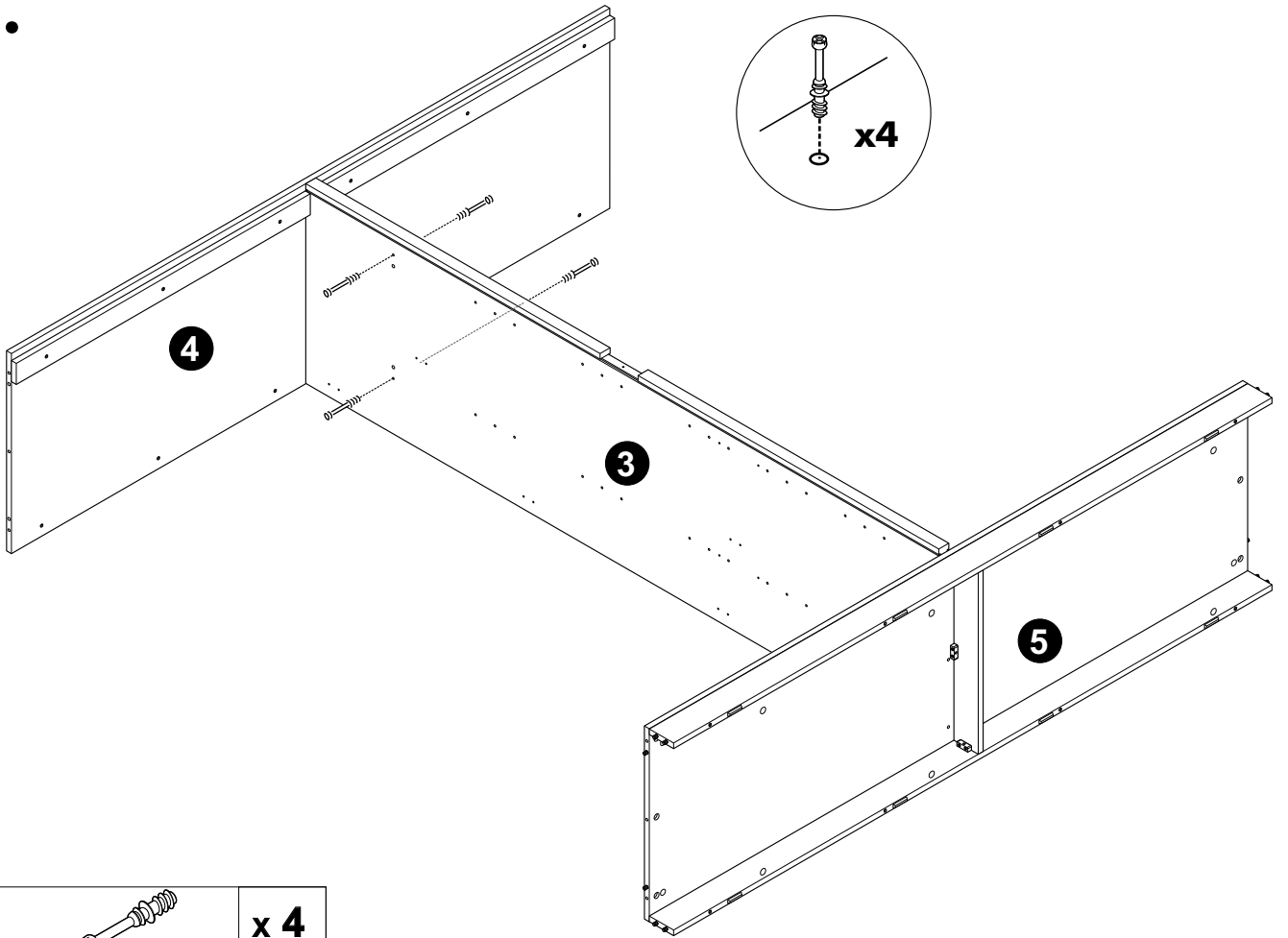
7.



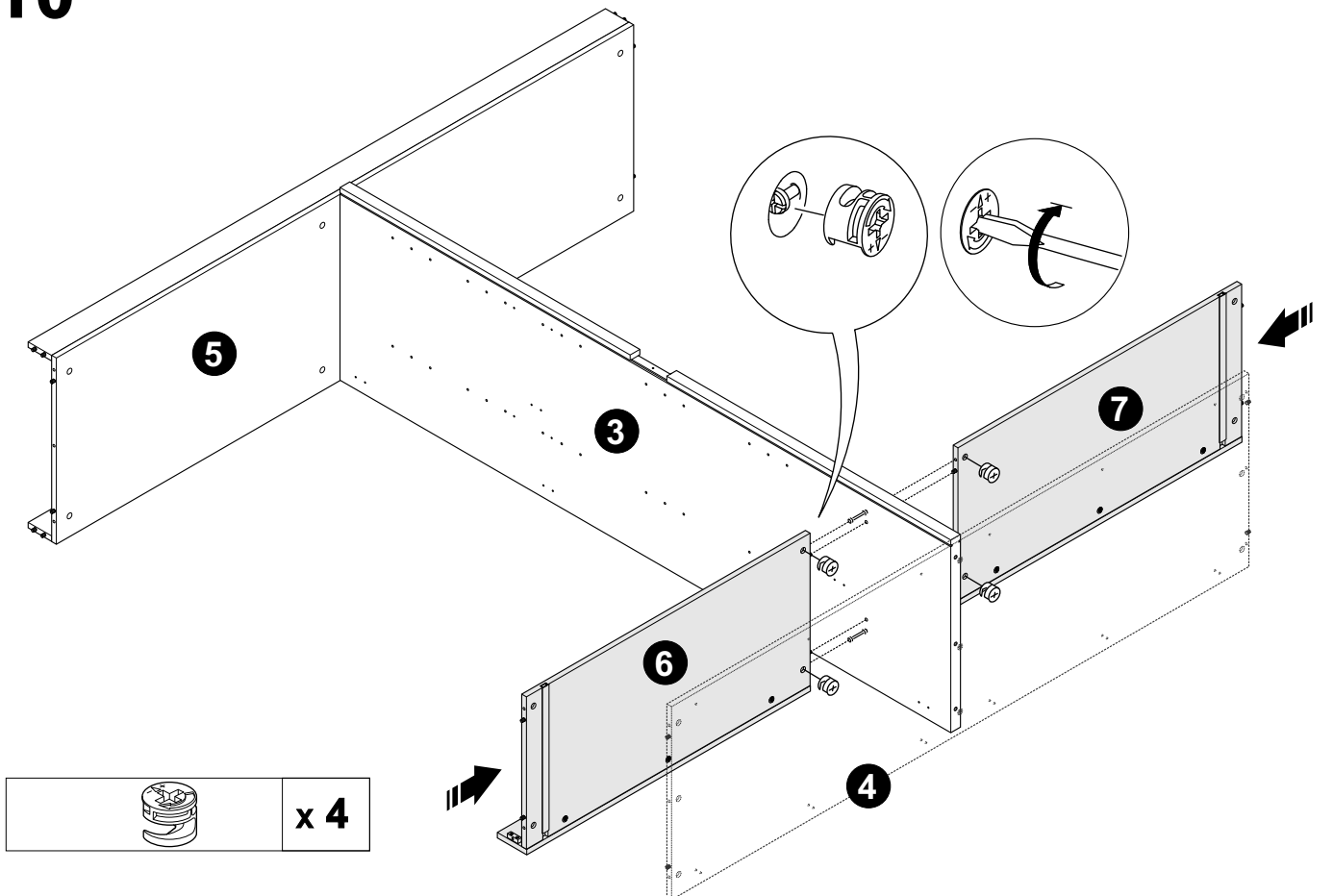
8.



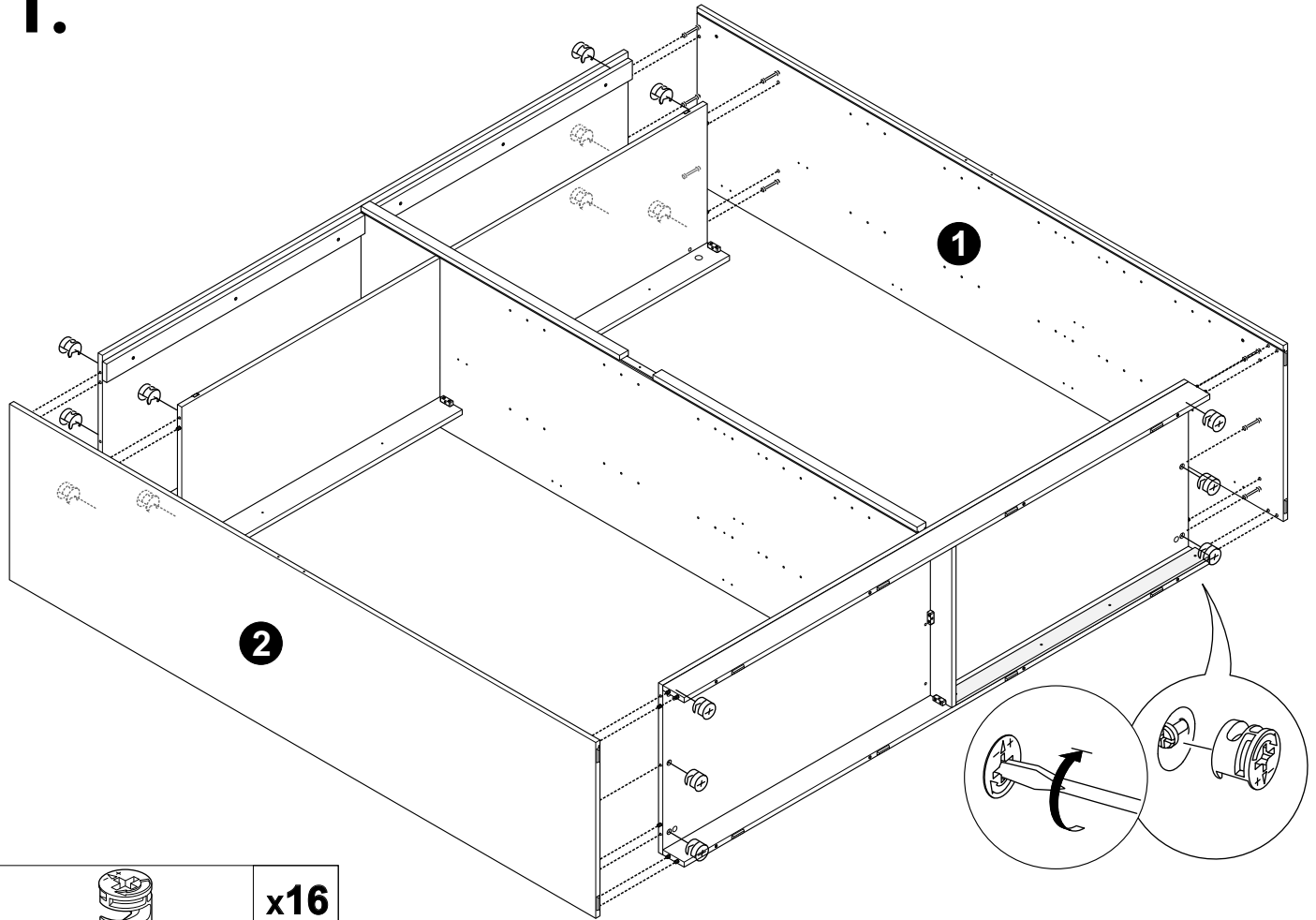
9.



10

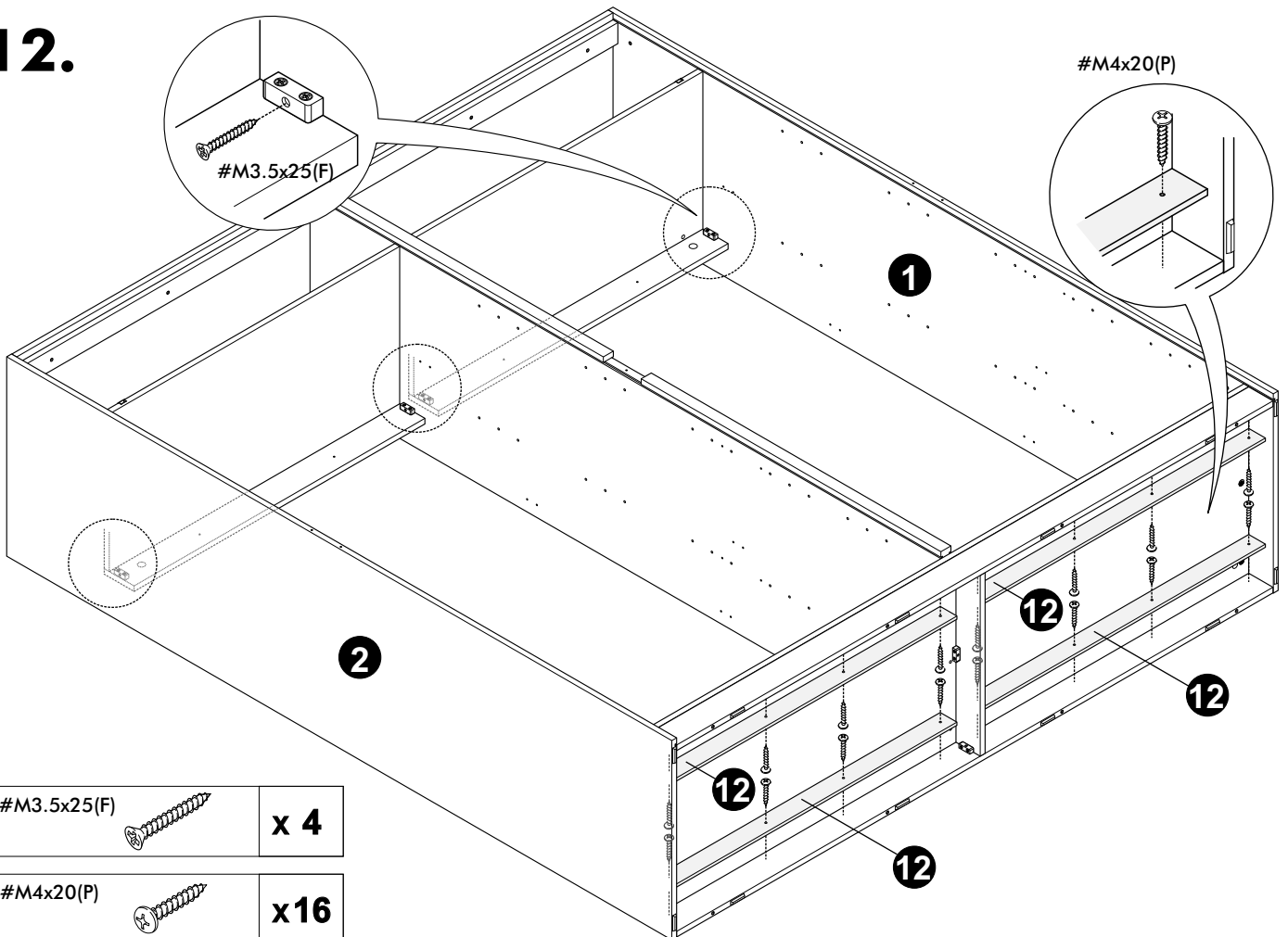


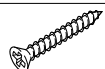
11.




	x16
---	------------

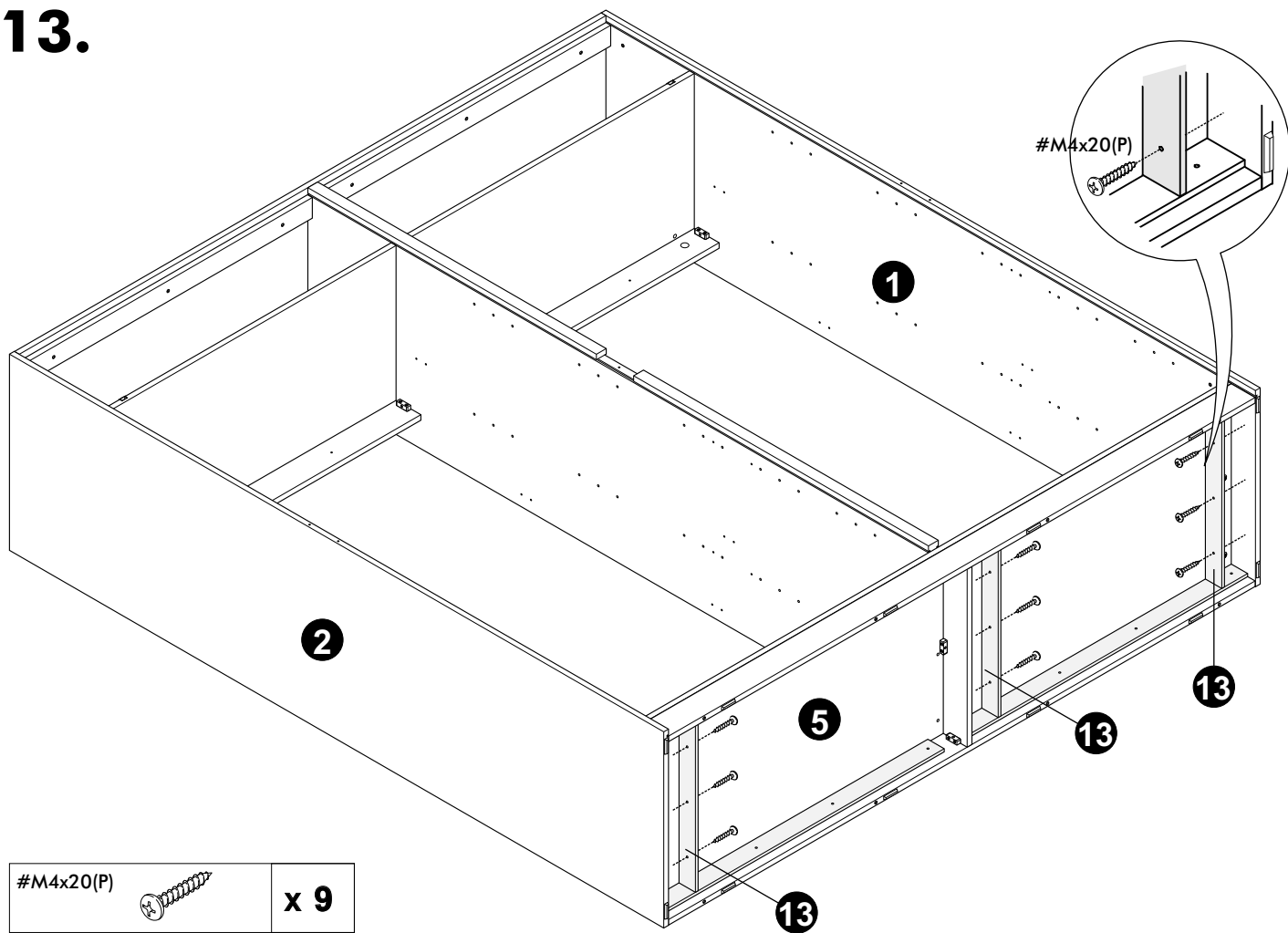
12.



	x 4
---	------------

	x16
---	------------

13.

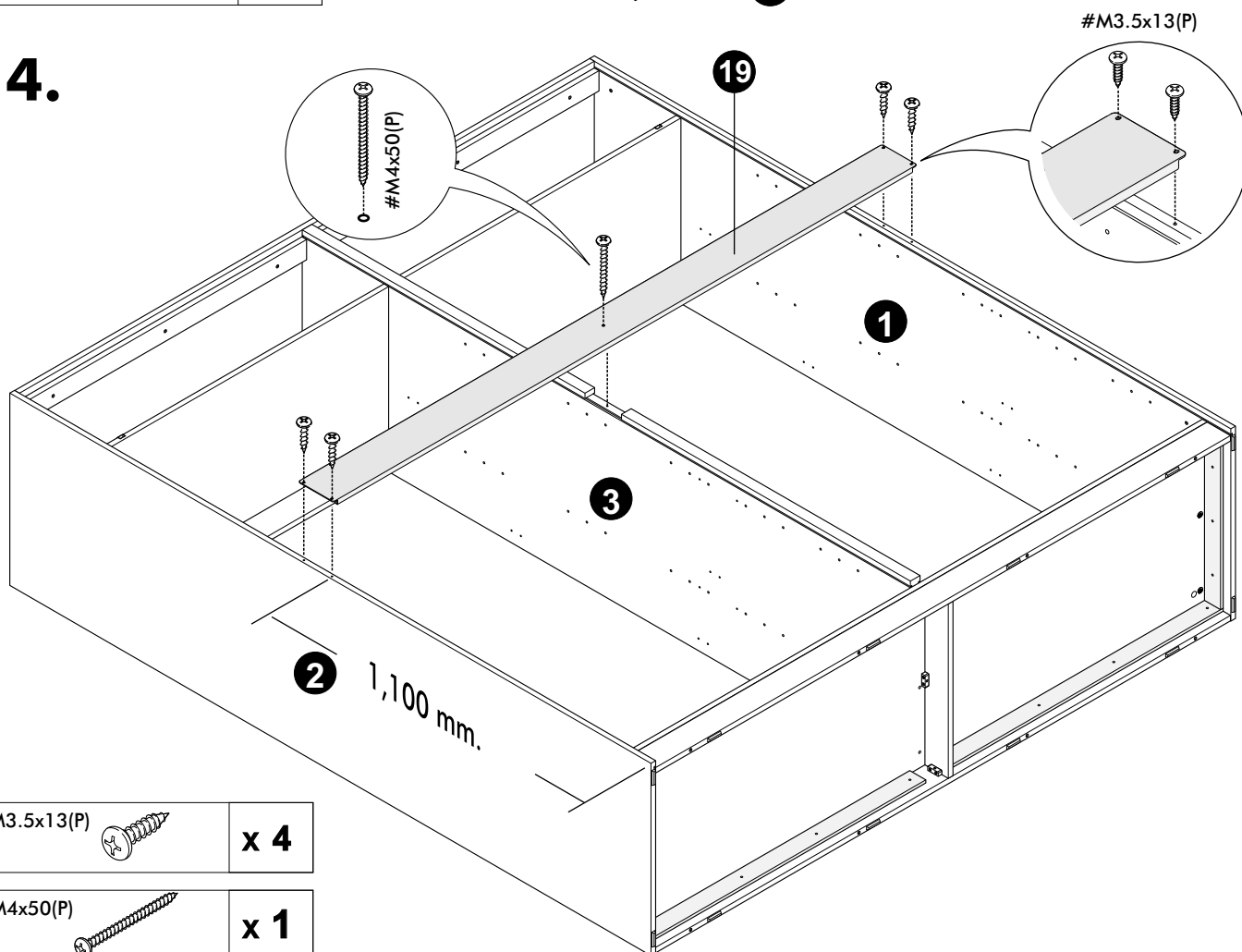


#M4x20(P)



x 9

14.



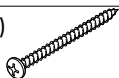
#M3.5x13(P)

#M3.5x13(P)



x 4

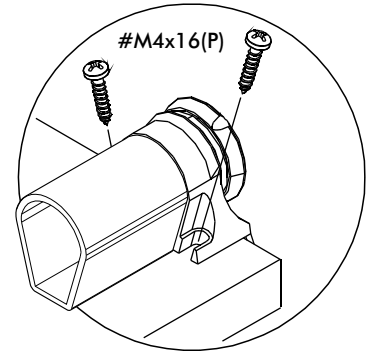
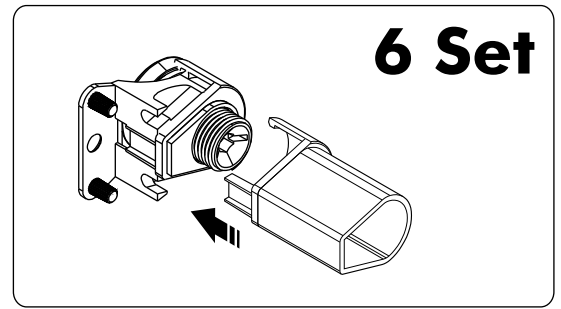
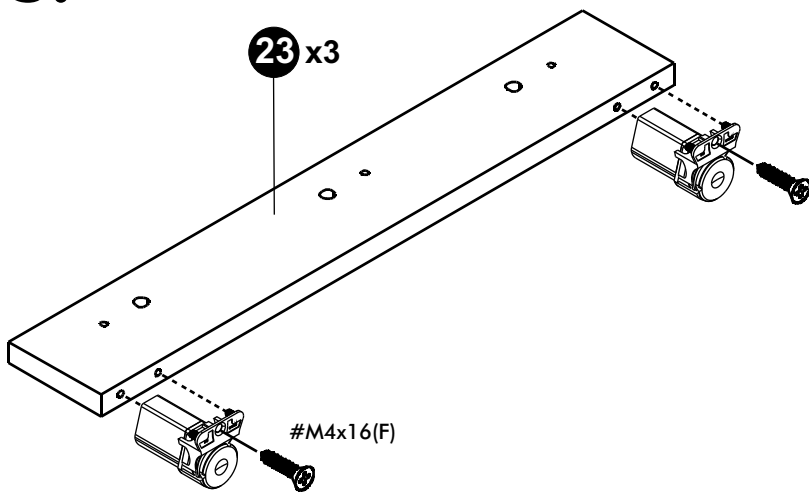
#M4x50(P)

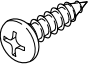
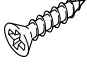
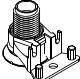
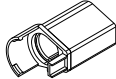


x 1

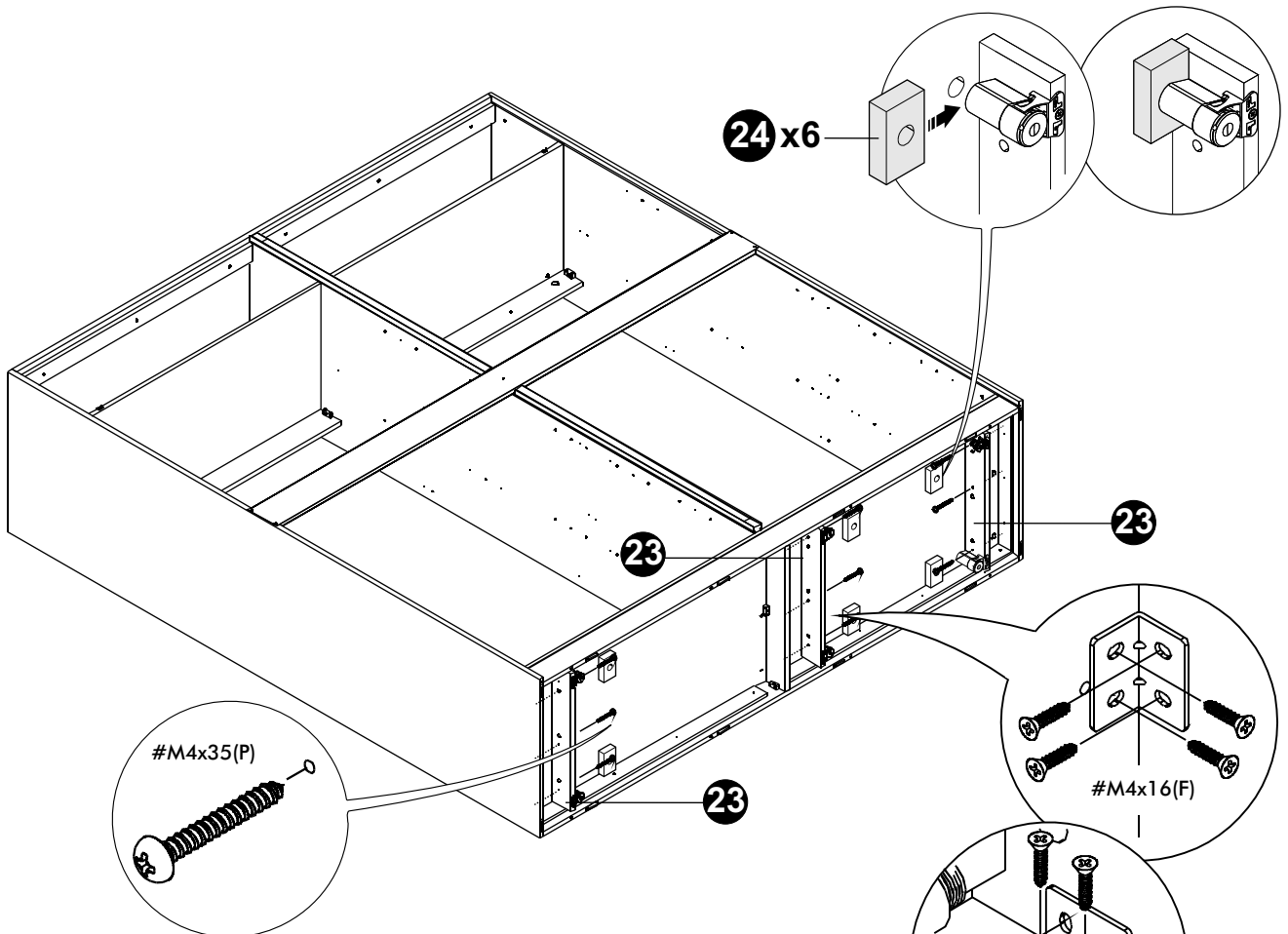
1,100 mm.

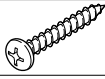
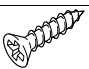

15.



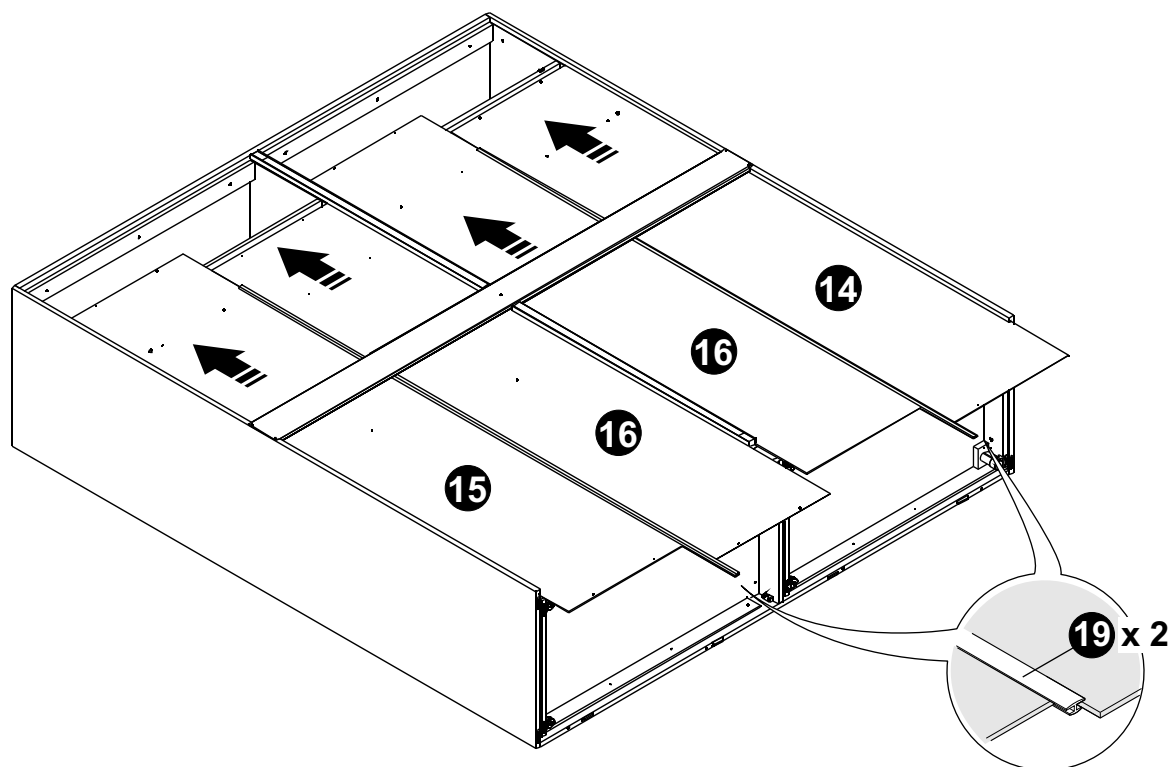
#M4x16(P)		x 12	#M4x16(F)		x 6
		x 6			x 6

16.

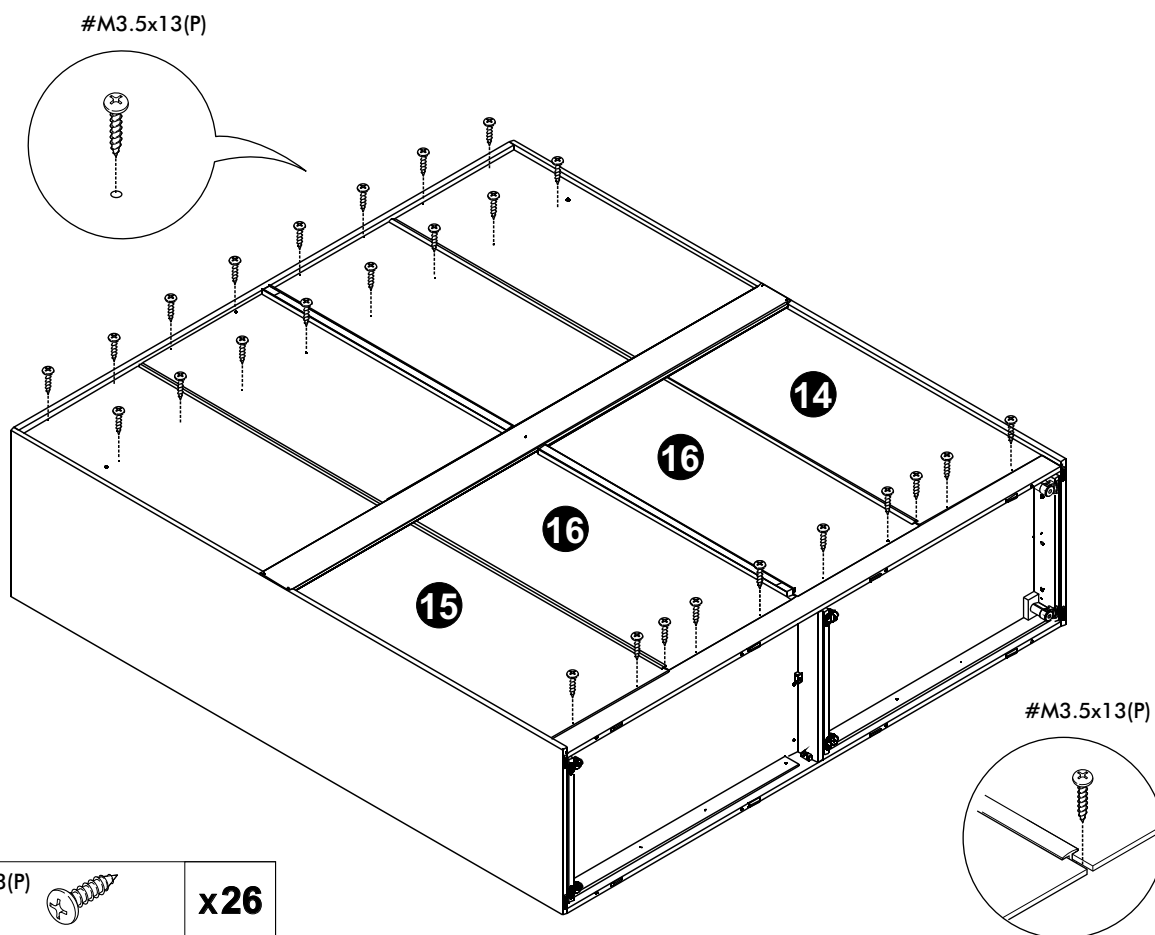


#M4x35(P)		x 9		
#M4x16(F)		x 12		x 3

17.



18.

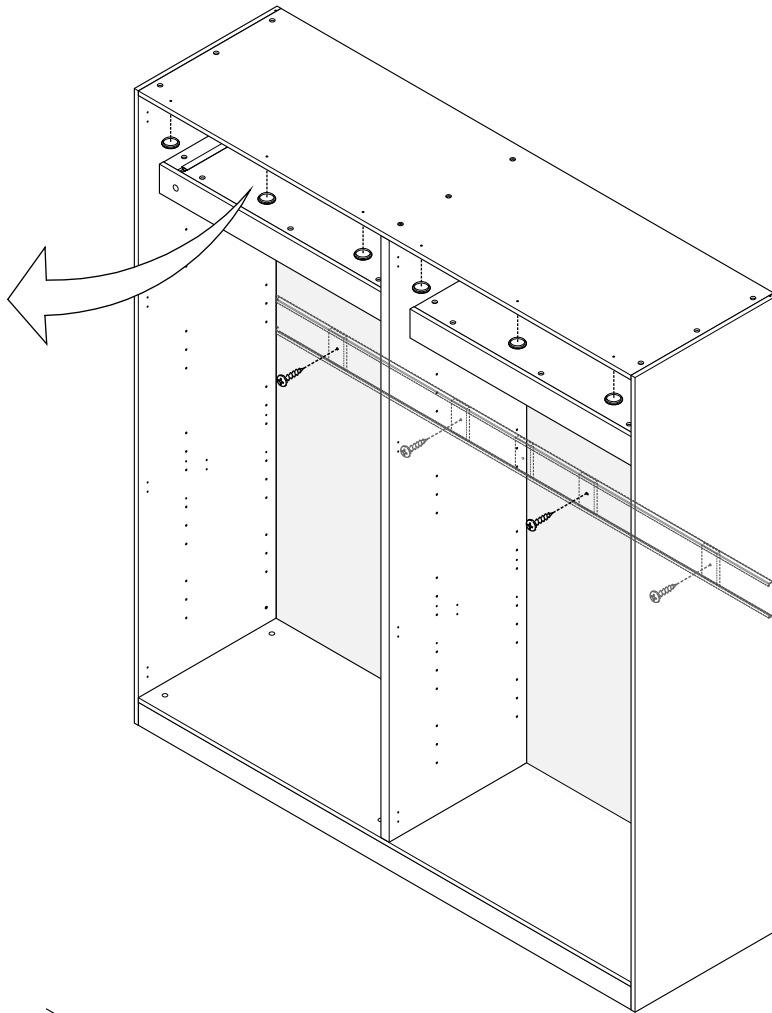
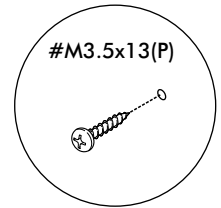
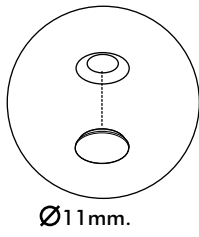



#M3.5x13(P)

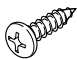


x26

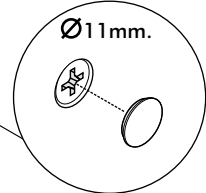
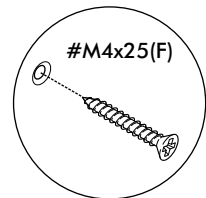
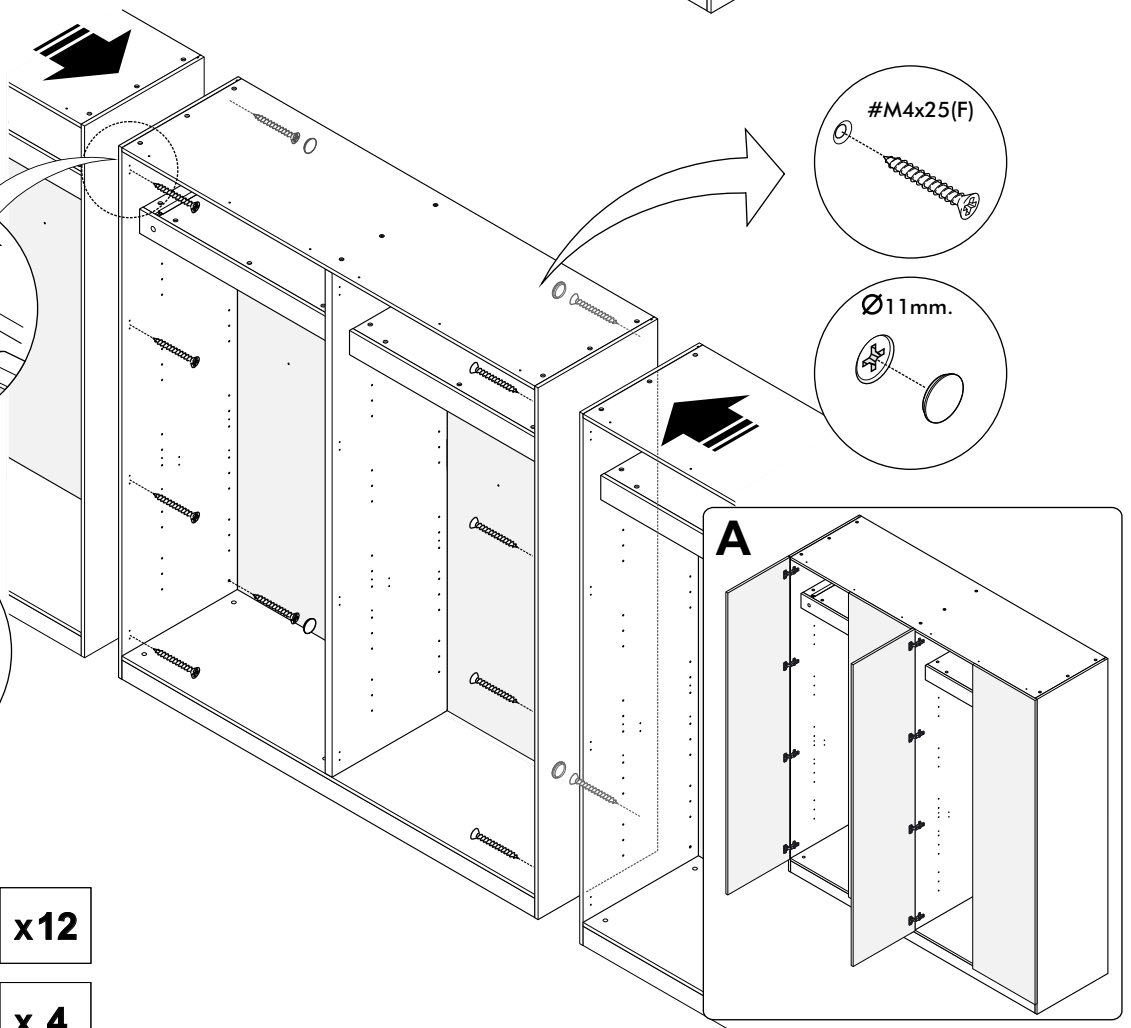
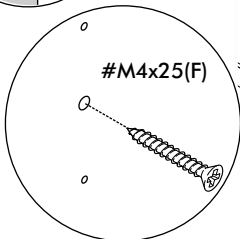
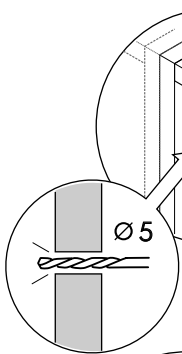
19.





Ø11mm.		x 6
--------	---	------------

#M3.5x13(P)		x 4
-------------	--	------------

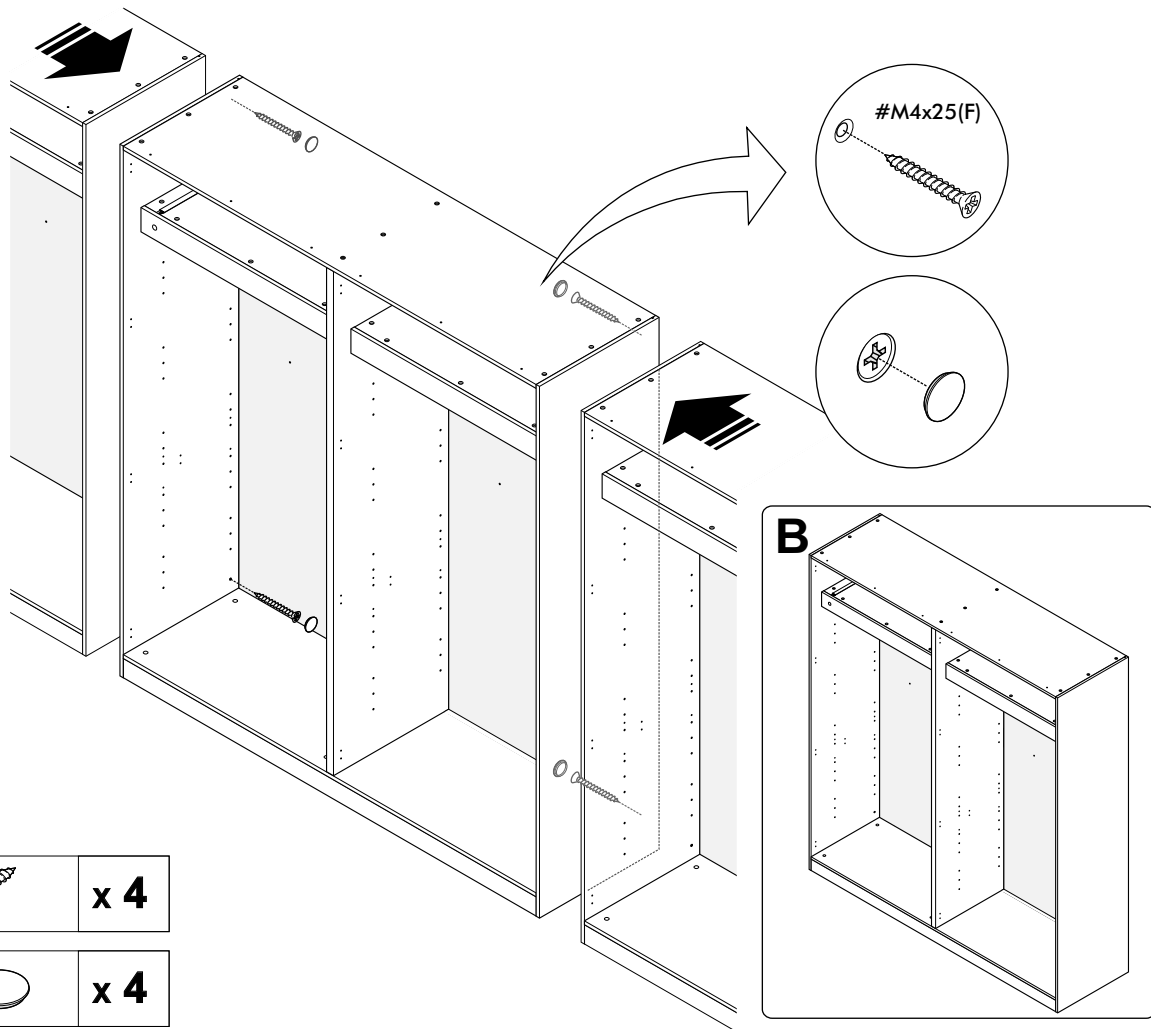
20.A





#M4x25(F)		x 12
-----------	---	-------------

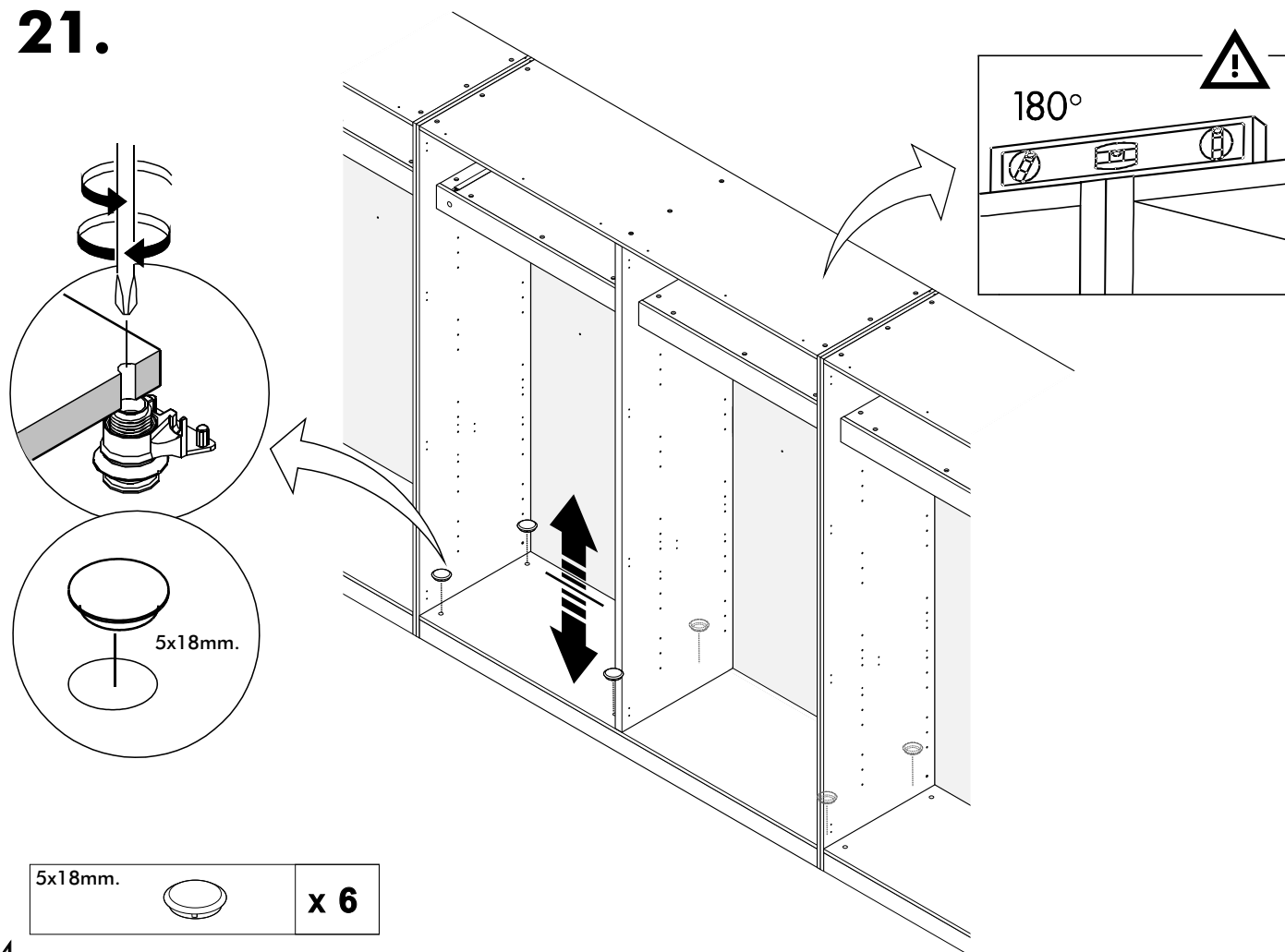
Ø11mm.		x 4
--------	---	------------


20.B



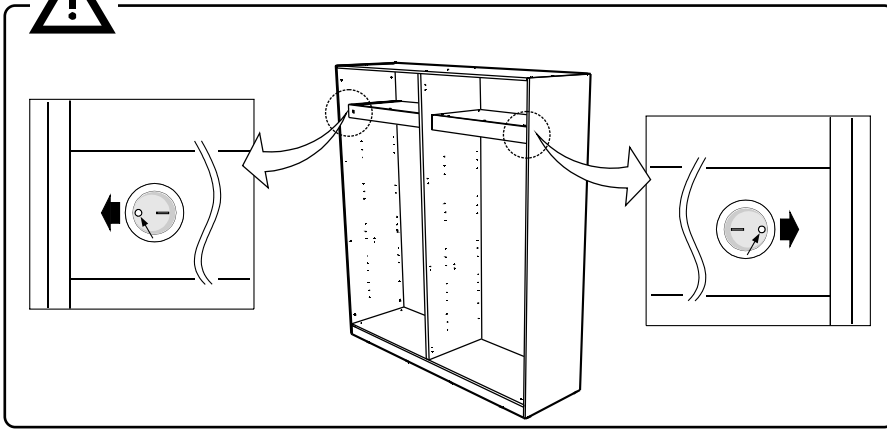
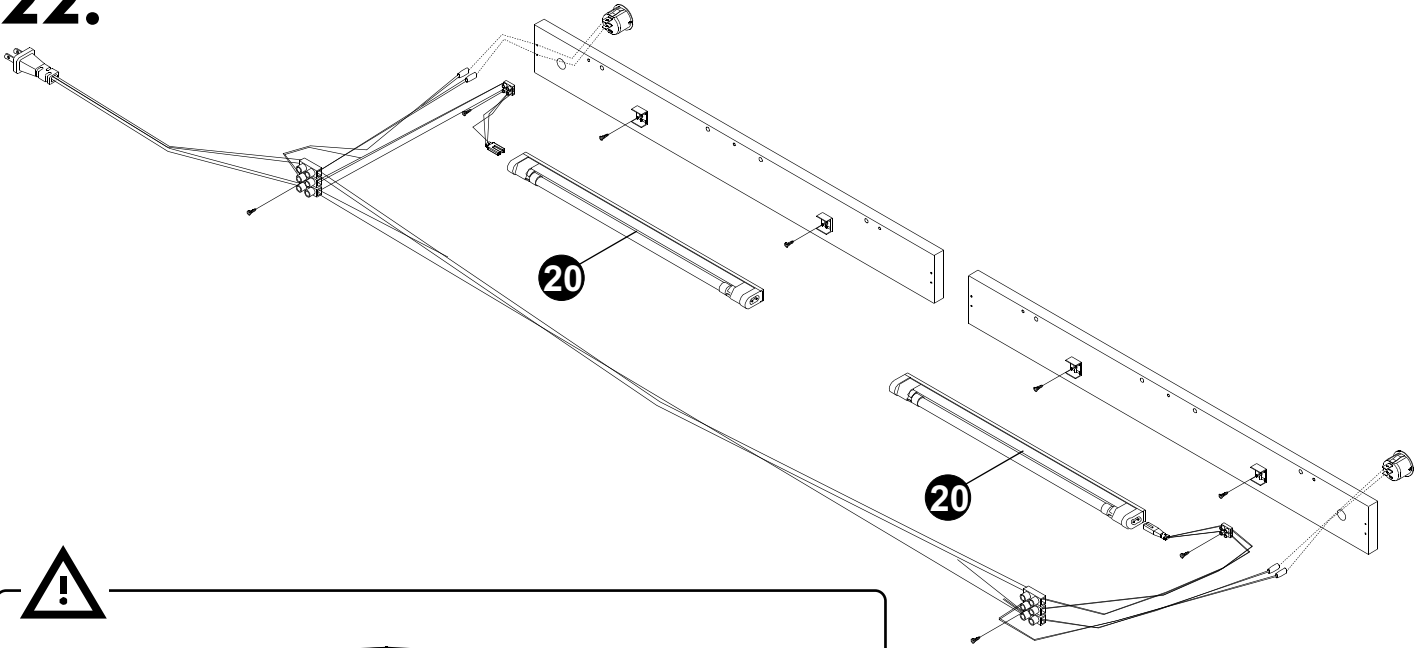
#M4x25(F)		x 4
Ø11mm.		x 4

21.

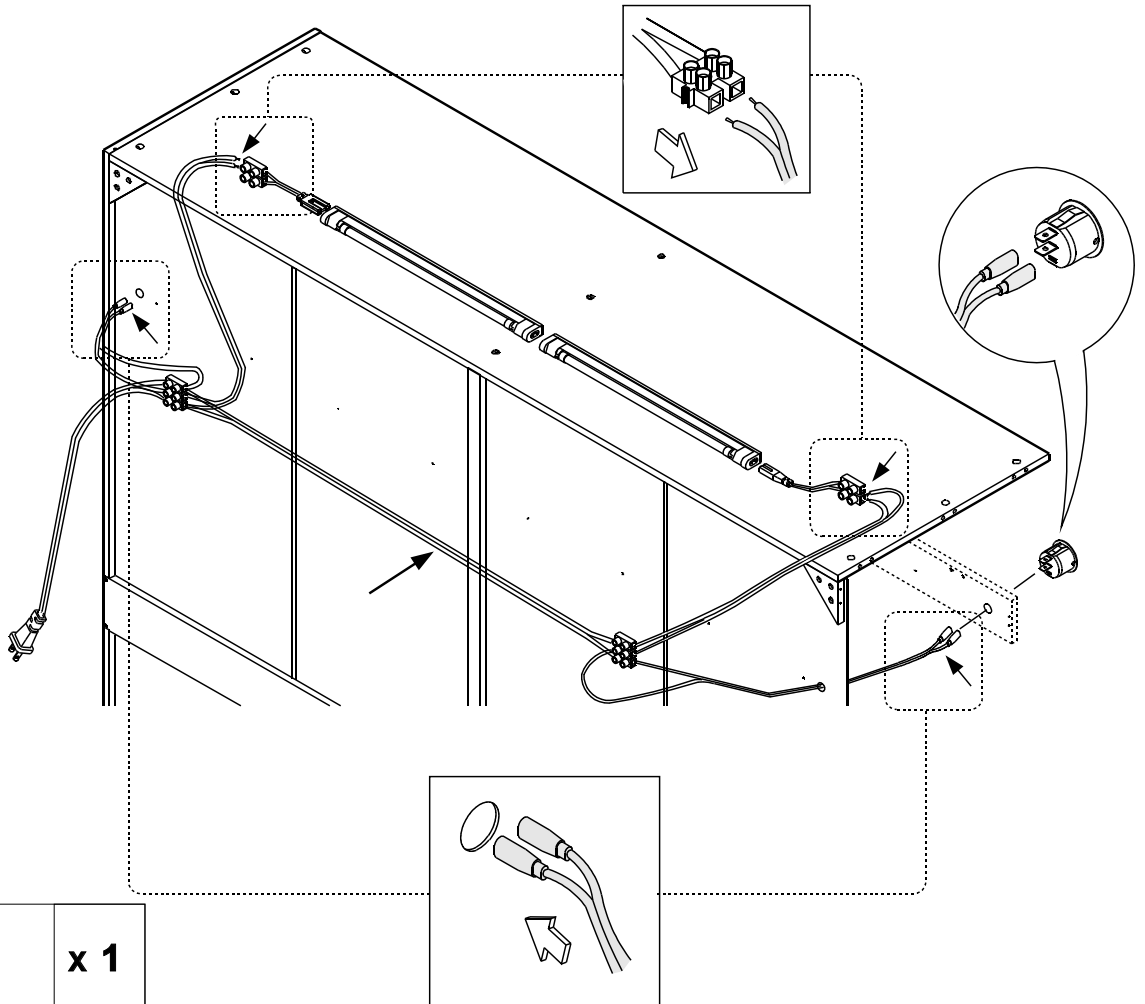


5x18mm.		x 6
---------	---	-----

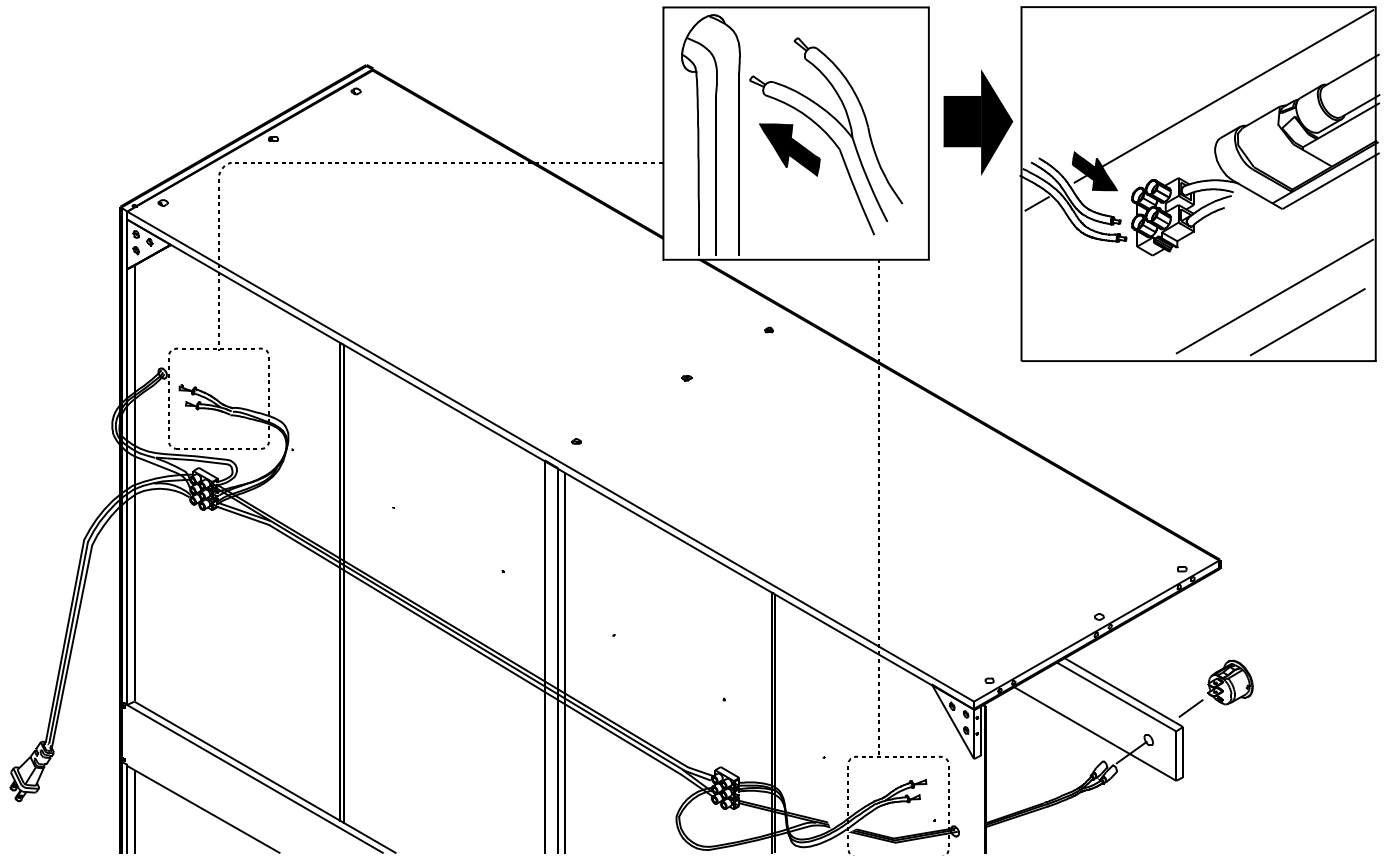
22.



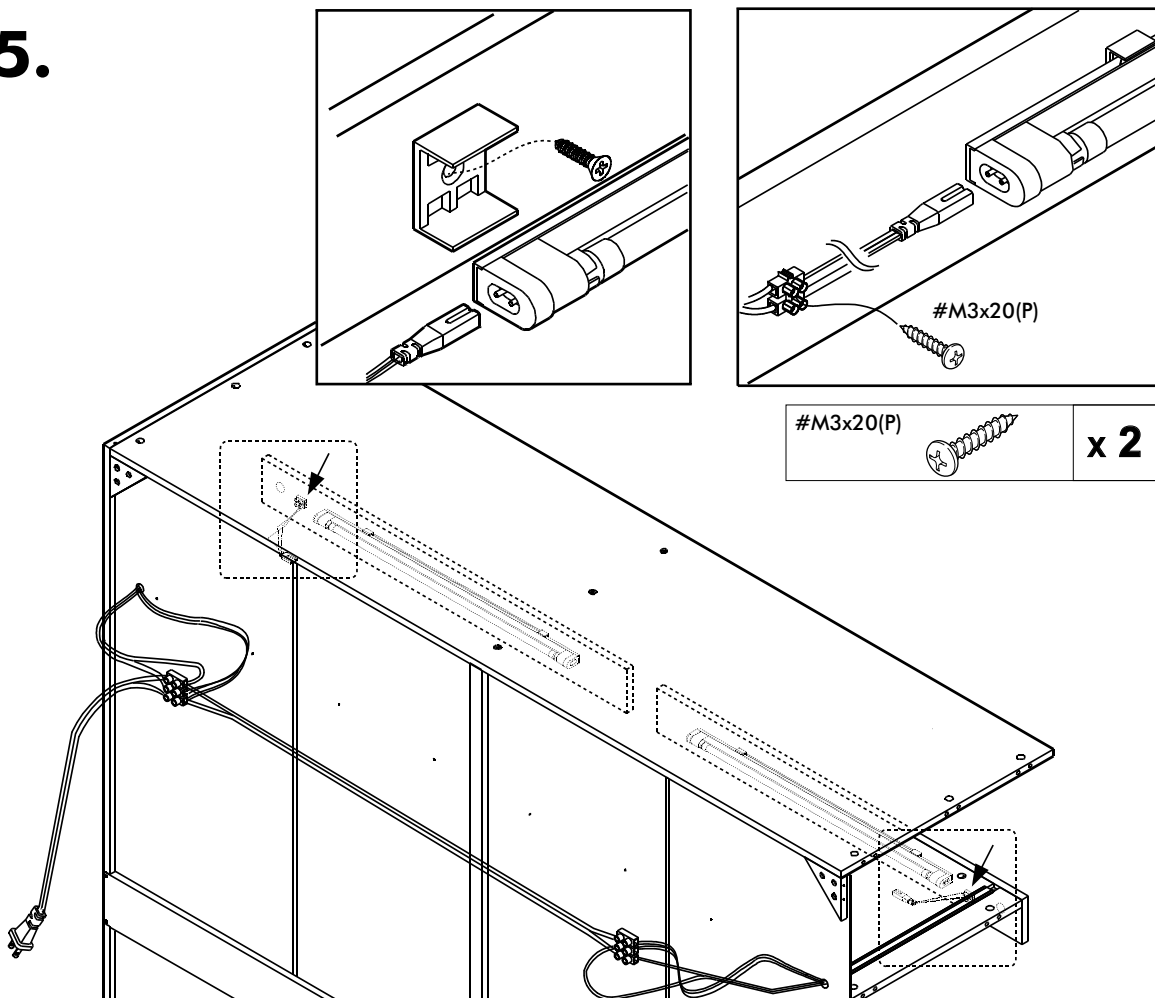
23.



24.



25.



26.

