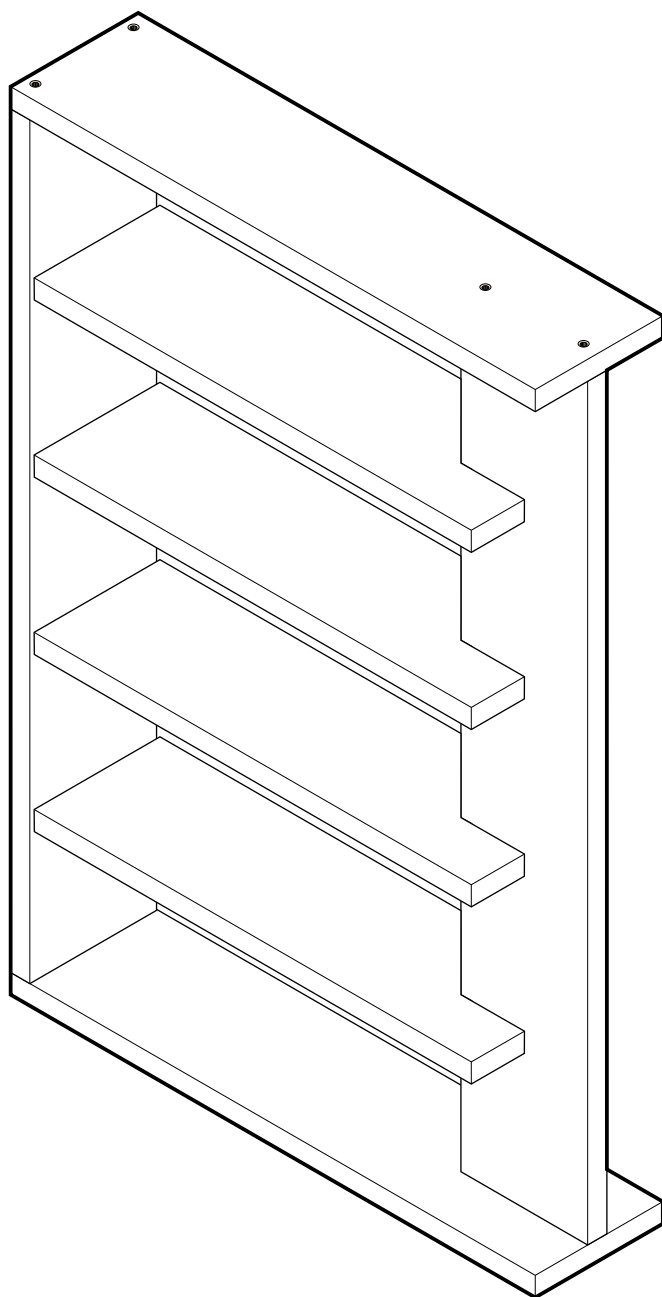
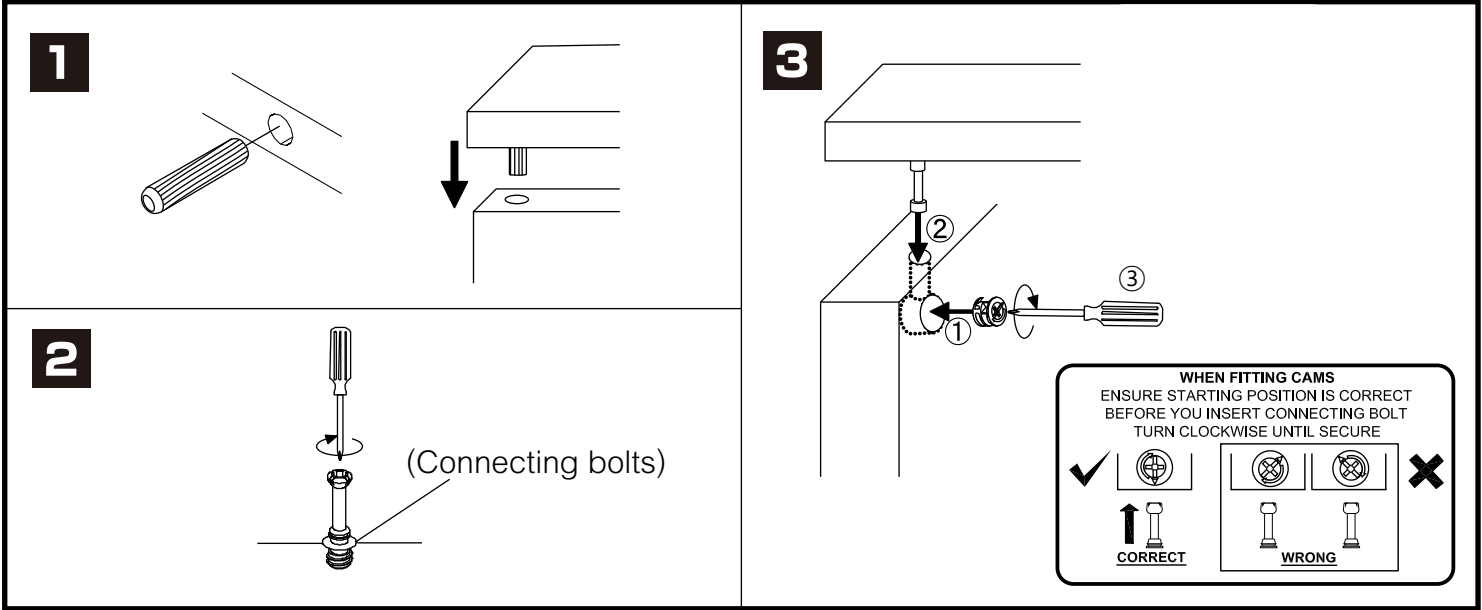


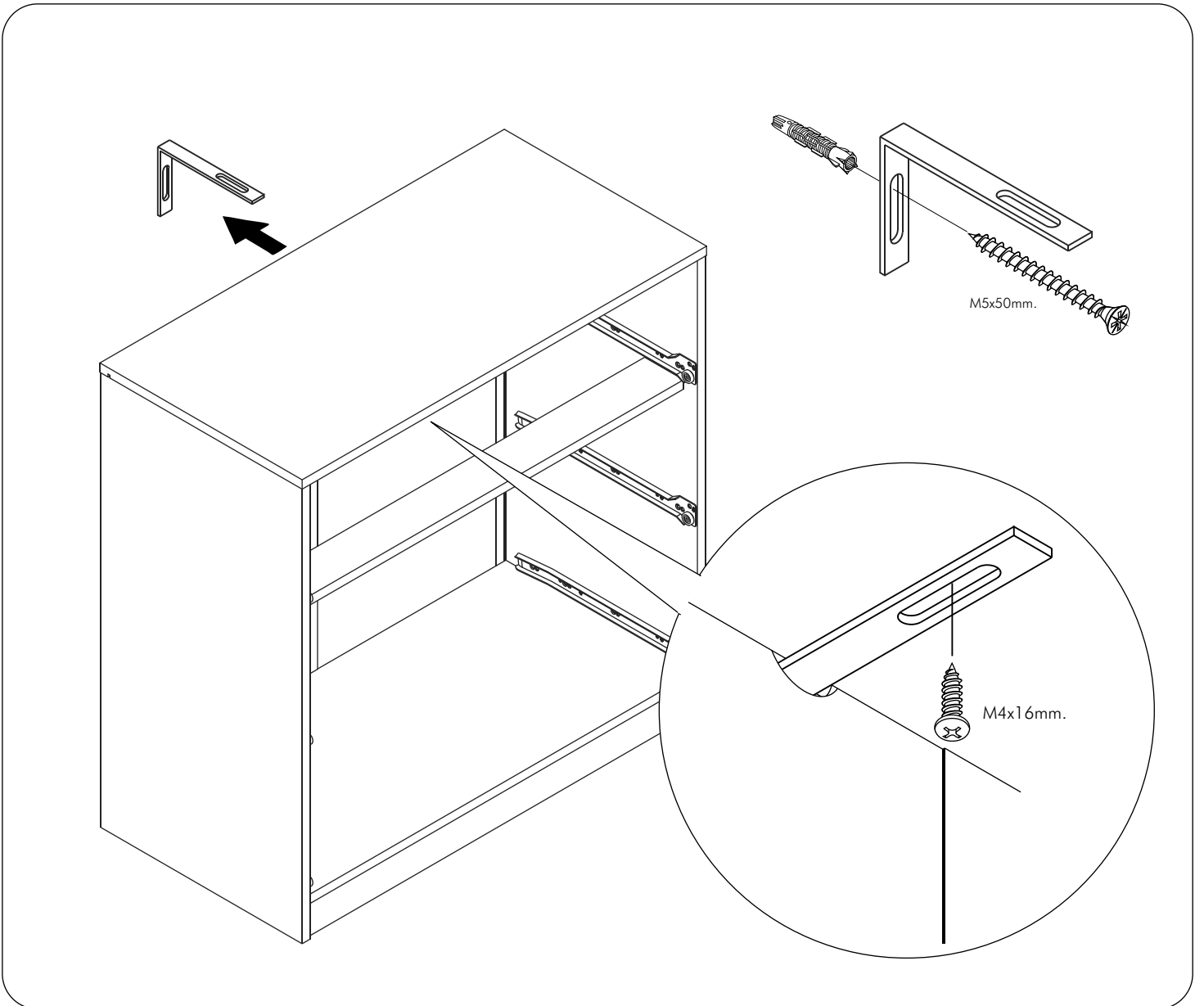
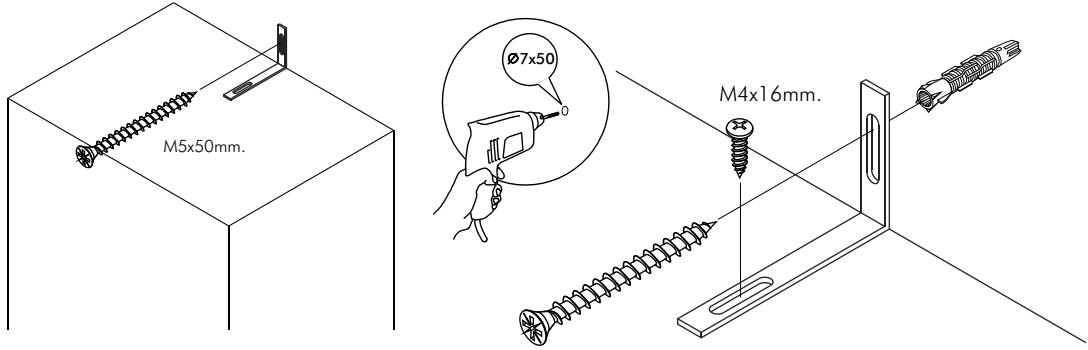
# RODEO

**Multipurpose Shelf 120cm**



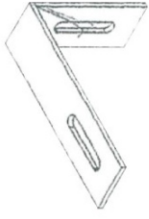
# CONNECT SYSTEM



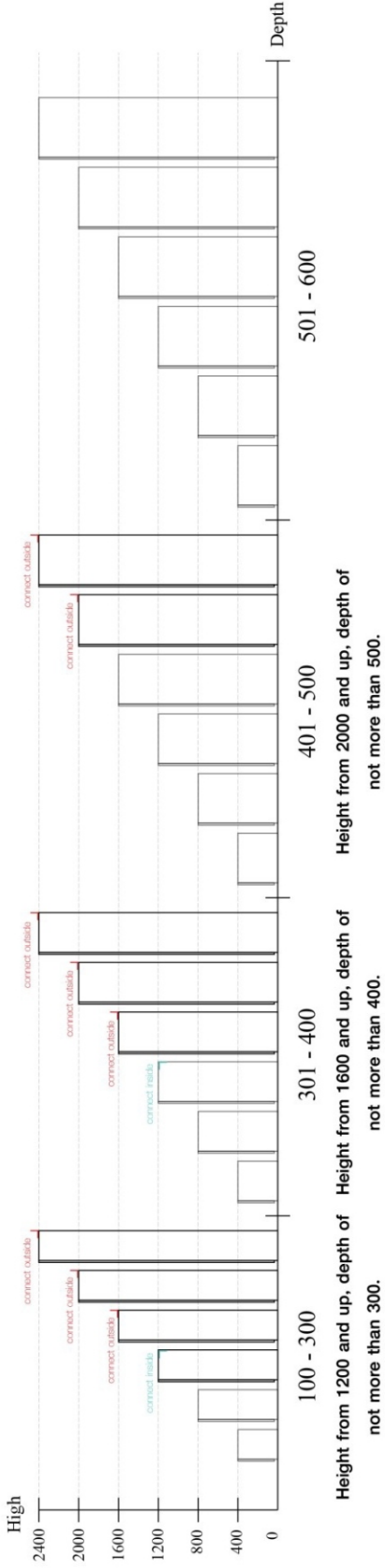


**The Standard for identifying which mounted safety fall protection fitting to use** **Note : That children's products must be installed with all anti-falling fittings.**

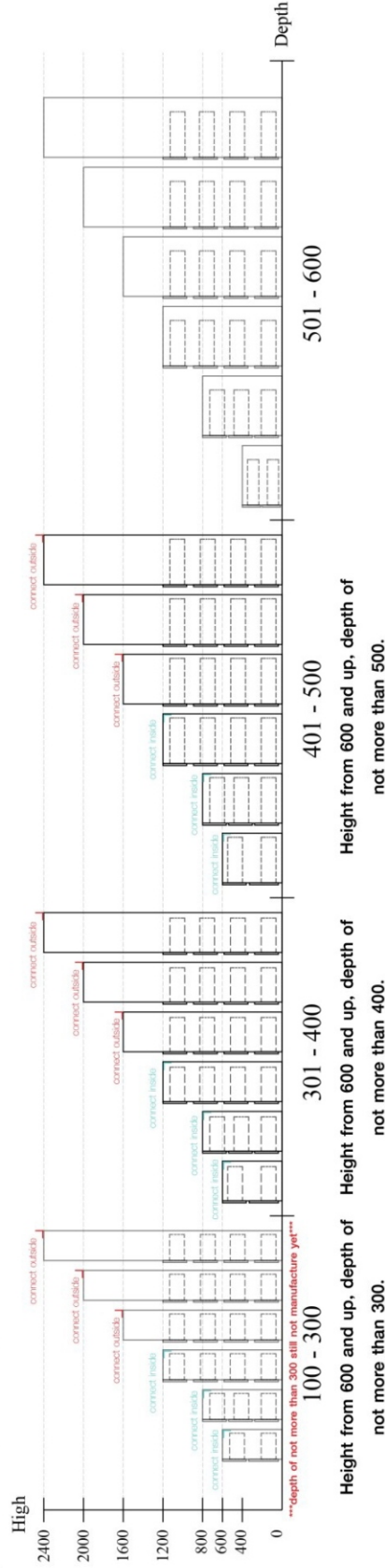
■ Mounted fall protection fittings



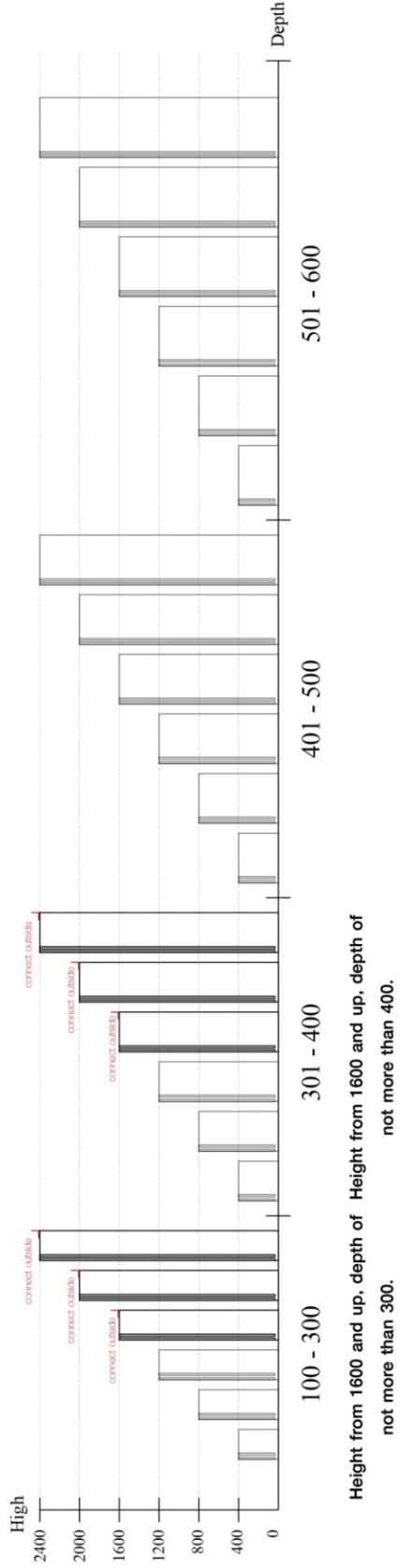
■ Category : Cabinet with open doors



■ Category : Chest of drawers



■ Category : Sliding door cabinet / Open cabinet



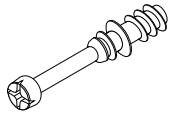
Height from 1600 and up, depth of not more than 300.

# HARDWARE

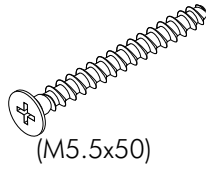
## -BODY SET



**x 8**

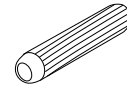


**x 8**



(M5.5x50)

**x 8**



(6x35)

**x 16**

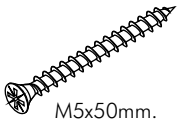


**x 8**



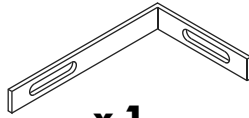
M4x16mm.

**x 1**

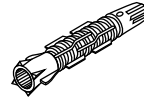


M5x50mm.

**x 1**

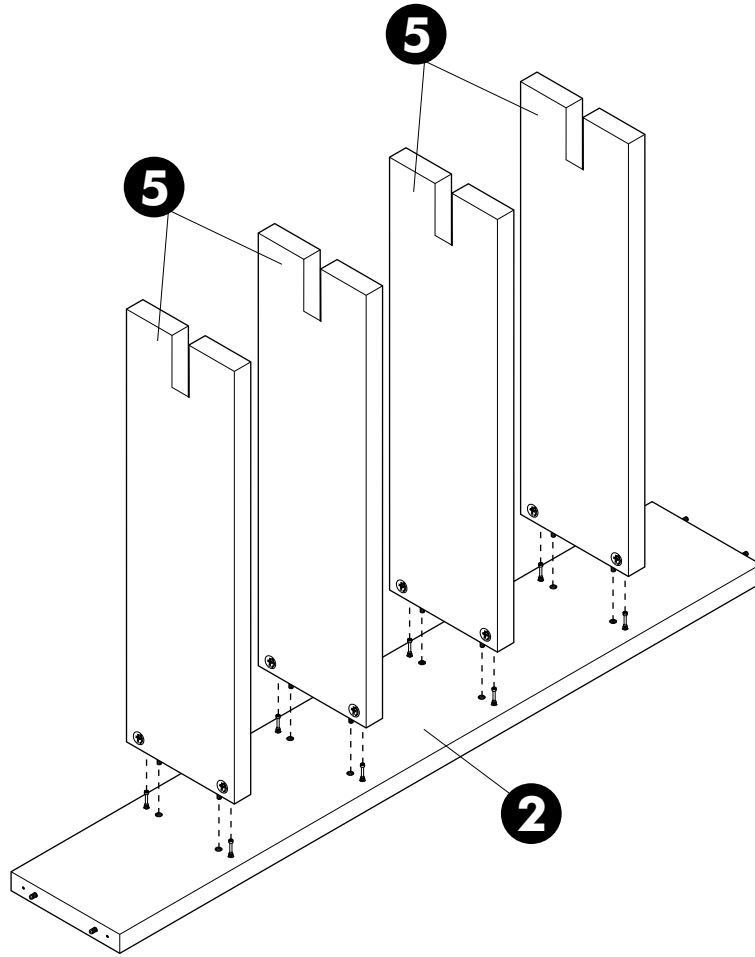


**x 1**

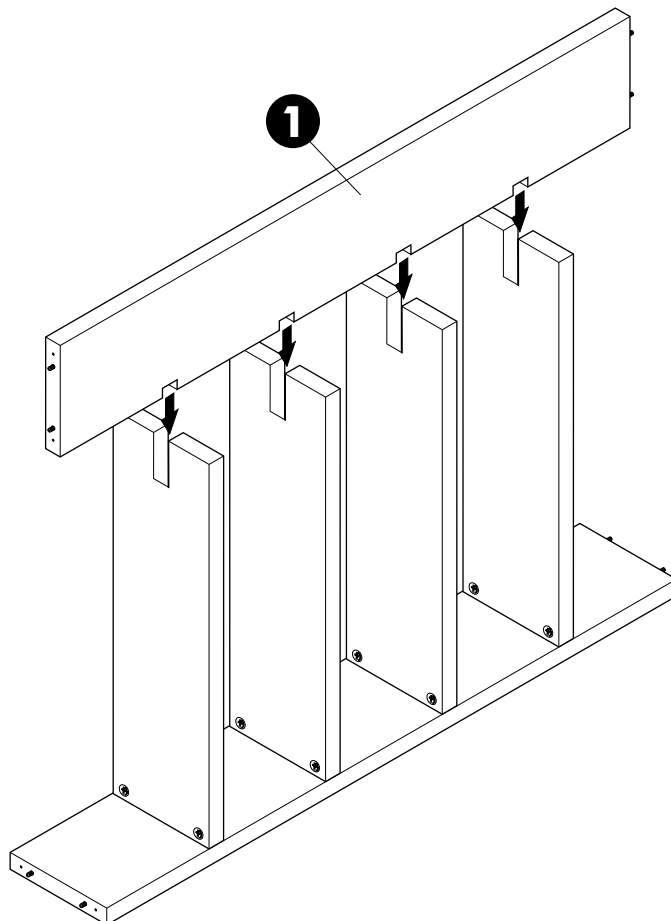


**x 1**

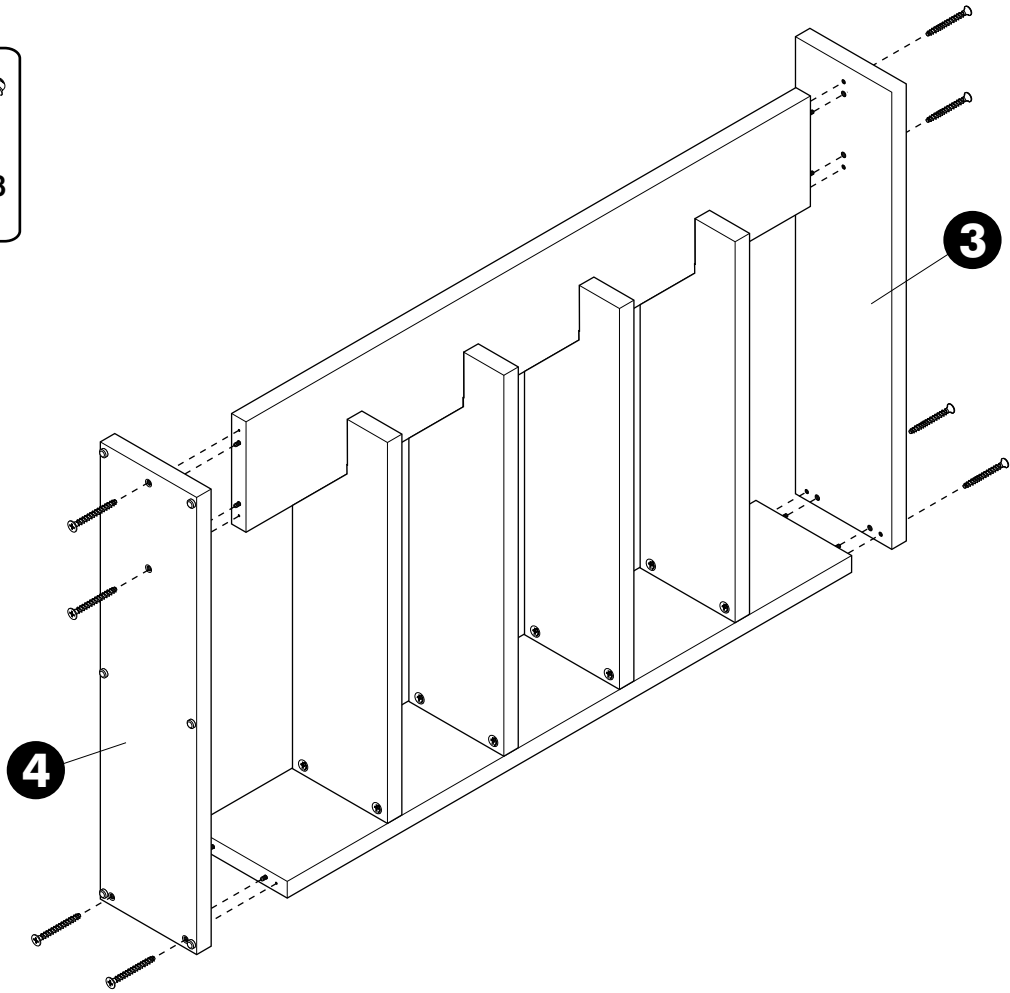
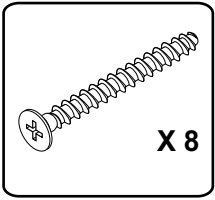
**1.**



**2.**



**3.**



**4.**

